



US00D899894S

(12) **United States Design Patent** (10) **Patent No.:** **US D899,894 S**
Lundy (45) **Date of Patent:** **** Oct. 27, 2020**

(54) **RAIL CAR BRAKE ARM LOCKING BRACKET**

(71) Applicant: **Bryan K. Lundy**, Republic, MO (US)

(72) Inventor: **Bryan K. Lundy**, Republic, MO (US)

(**) Term: **15 Years**

(21) Appl. No.: **29/684,686**

(22) Filed: **Mar. 22, 2019**

(51) **LOC (12) Cl.** **08-07**

(52) **U.S. Cl.**
USPC **D8/343**; D12/42

(58) **Field of Classification Search**
USPC D12/1, 16.1, 36, 37, 40, 42, 45, 48, 51, D12/52, 133, 180, 223; D8/330, 331, D8/332, 333, 336, 343, 344, 345, 349, D8/354, 359, 394, 396; 70/2, 4, 7, 14, 70/18, 19, 27, 51, 72-75, 225-229
CPC B60L 2200/26; B29C 66/82263; E05Y 2900/51; E05F 15/565; B61D 19/02; B60N 5/00; B61C 3/00; B61C 7/00; E01B 3/00

See application file for complete search history.

(56) **References Cited**

U.S. PATENT DOCUMENTS

- 1,100,646 A 6/1914 Barnes
- 1,138,795 A 5/1915 Saunders
- 4,057,983 A * 11/1977 Morgan A63C 11/006 70/18
- D278,744 S * 5/1985 Miener D24/181
- 5,070,712 A * 12/1991 Fox E05B 67/003 70/18
- D339,057 S * 9/1993 Lofland D8/343

- 5,271,649 A * 12/1993 Gromotka E05C 19/14 292/113
- 5,553,904 A 9/1996 Lorenzo
- D439,558 S * 3/2001 Potter D12/223
- 6,464,269 B1 10/2002 Wilhelm et al.
- D485,158 S * 1/2004 Thompson D8/375
- 7,201,028 B1 4/2007 Gogel
- 7,441,425 B2 10/2008 Jeong
- D632,159 S * 2/2011 Charette D8/354
- 8,066,142 B2 11/2011 Yin et al.
- D713,358 S * 9/2014 Gauchier D13/156
- D733,530 S * 7/2015 Tonthat D8/354
- D802,514 S * 11/2017 Smith D12/223
- D865,490 S * 11/2019 Randolph D8/356
- 2008/0010791 A1 * 1/2008 Huang B60P 7/0823 24/68 CD
- 2016/0215533 A1 7/2016 Choi et al.

* cited by examiner

Primary Examiner — Karen E Kearney
Assistant Examiner — Adam C Mager
(74) *Attorney, Agent, or Firm* — Cramer Patent & Design, PLLC

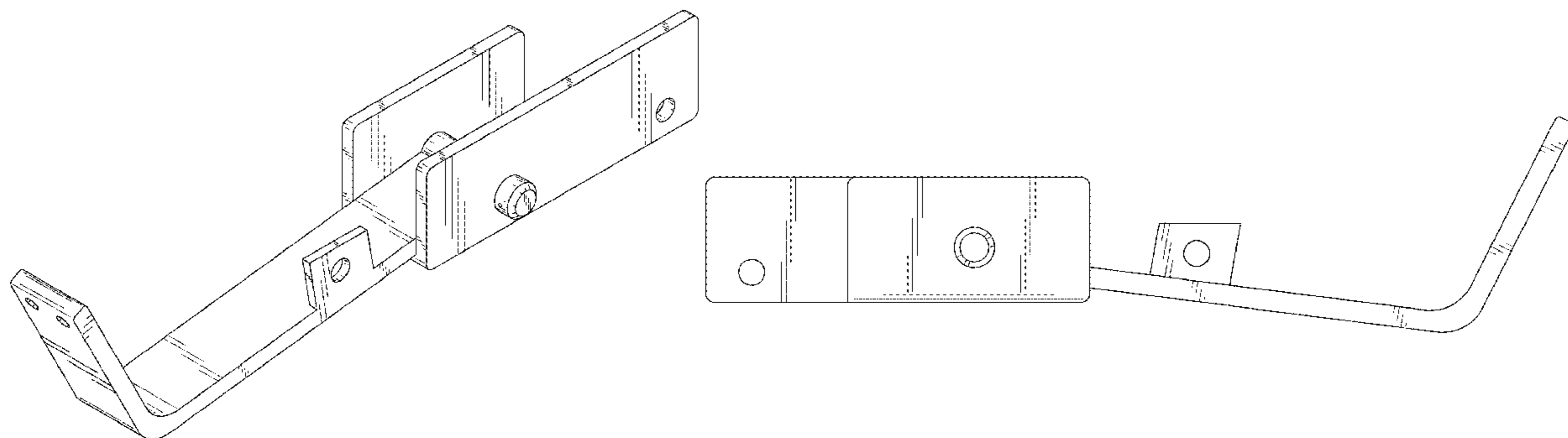
(57) **CLAIM**

The ornamental design for a rail car brake arm locking bracket, as shown and described.

DESCRIPTION

FIG. 1 is a perspective top front right view of the rail car brake arm locking bracket, showing my new design; FIG. 2 is a perspective top rear left view thereof; FIG. 3 is a front elevation view thereof; FIG. 4 is a rear elevation view thereof; FIG. 5 is a right elevation view thereof; FIG. 6 is a left elevation view thereof; FIG. 7 is a top plan view thereof; and, FIG. 8 is a bottom plan view thereof.

1 Claim, 6 Drawing Sheets



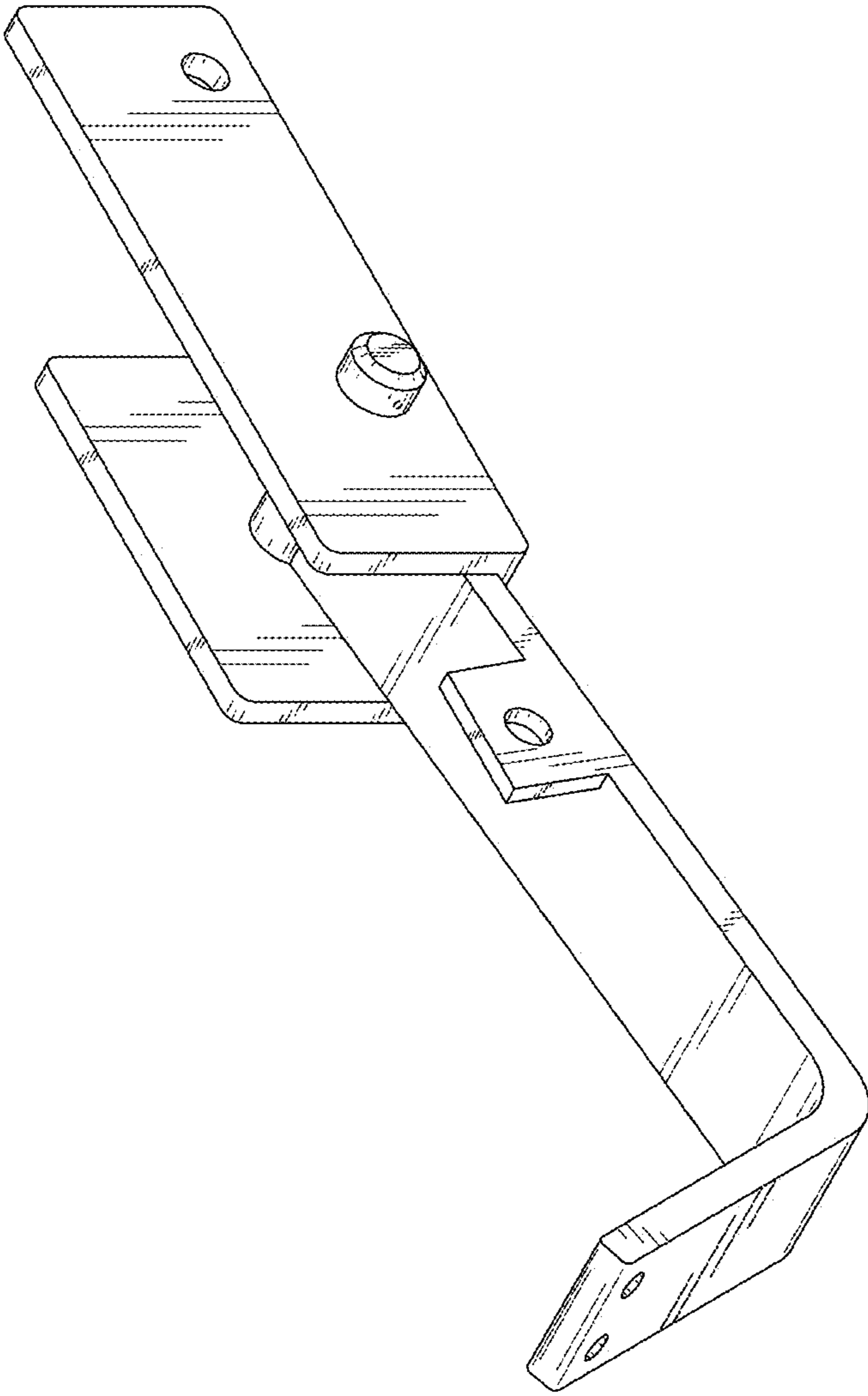


FIG. 1

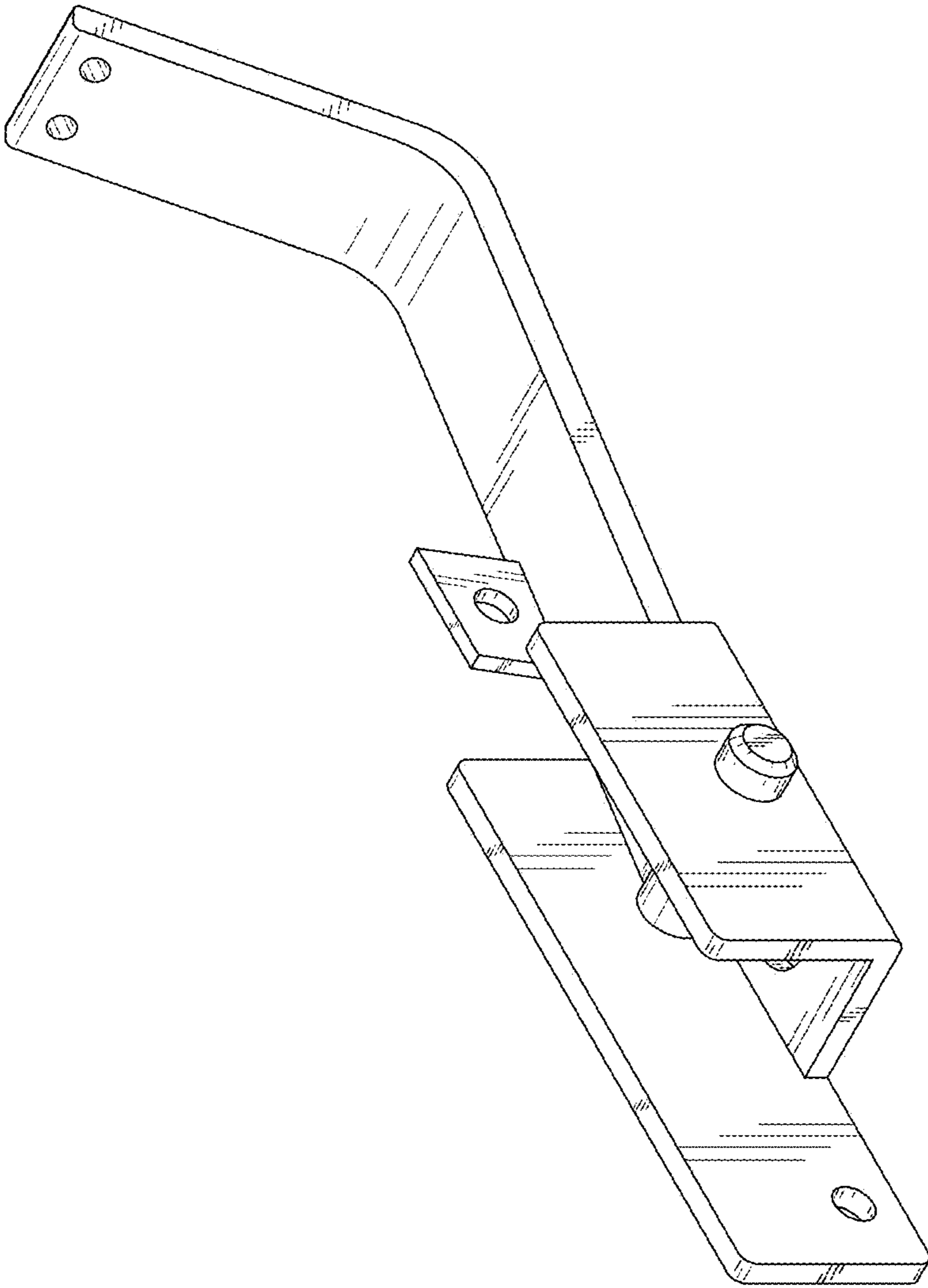


FIG. 2

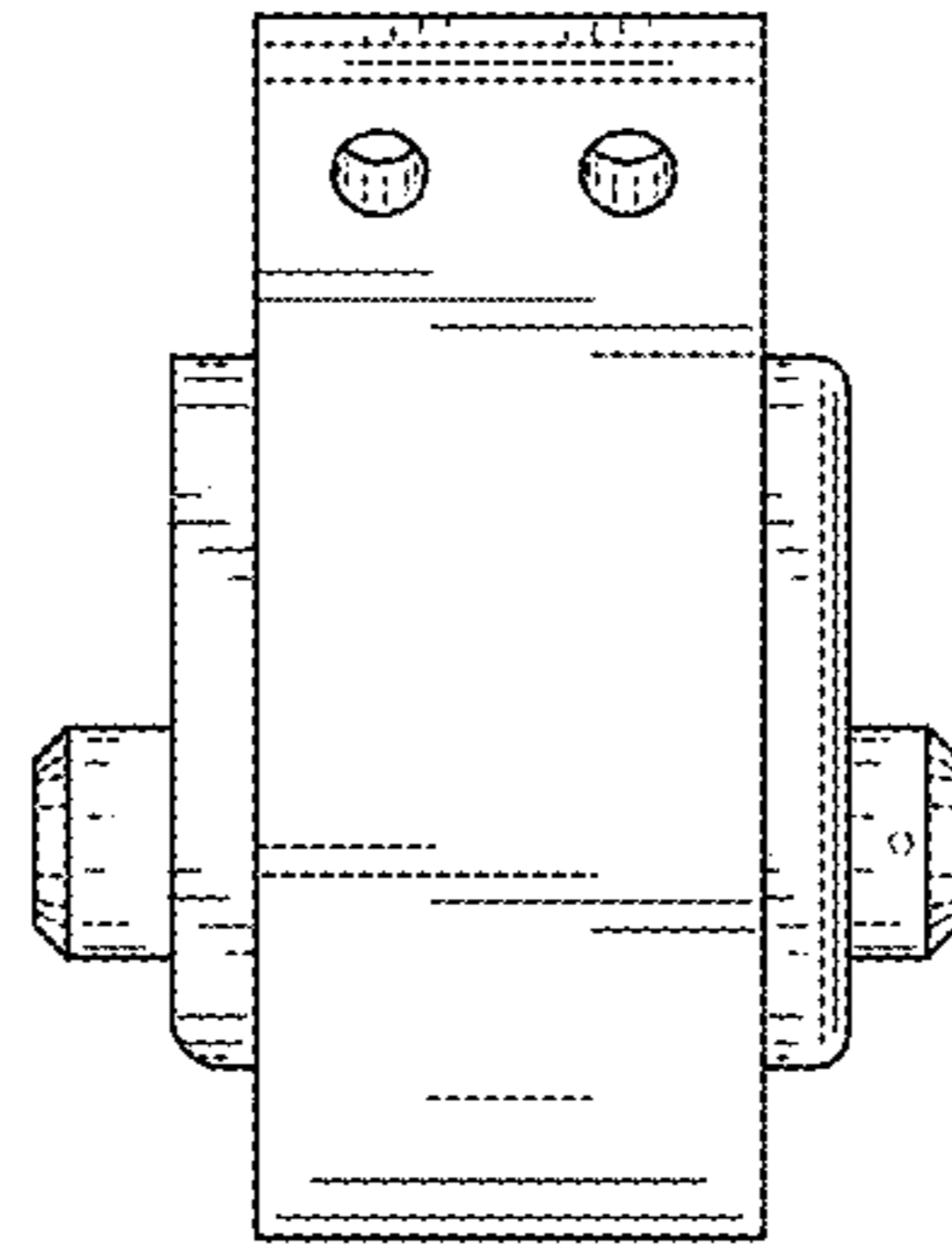


FIG. 3

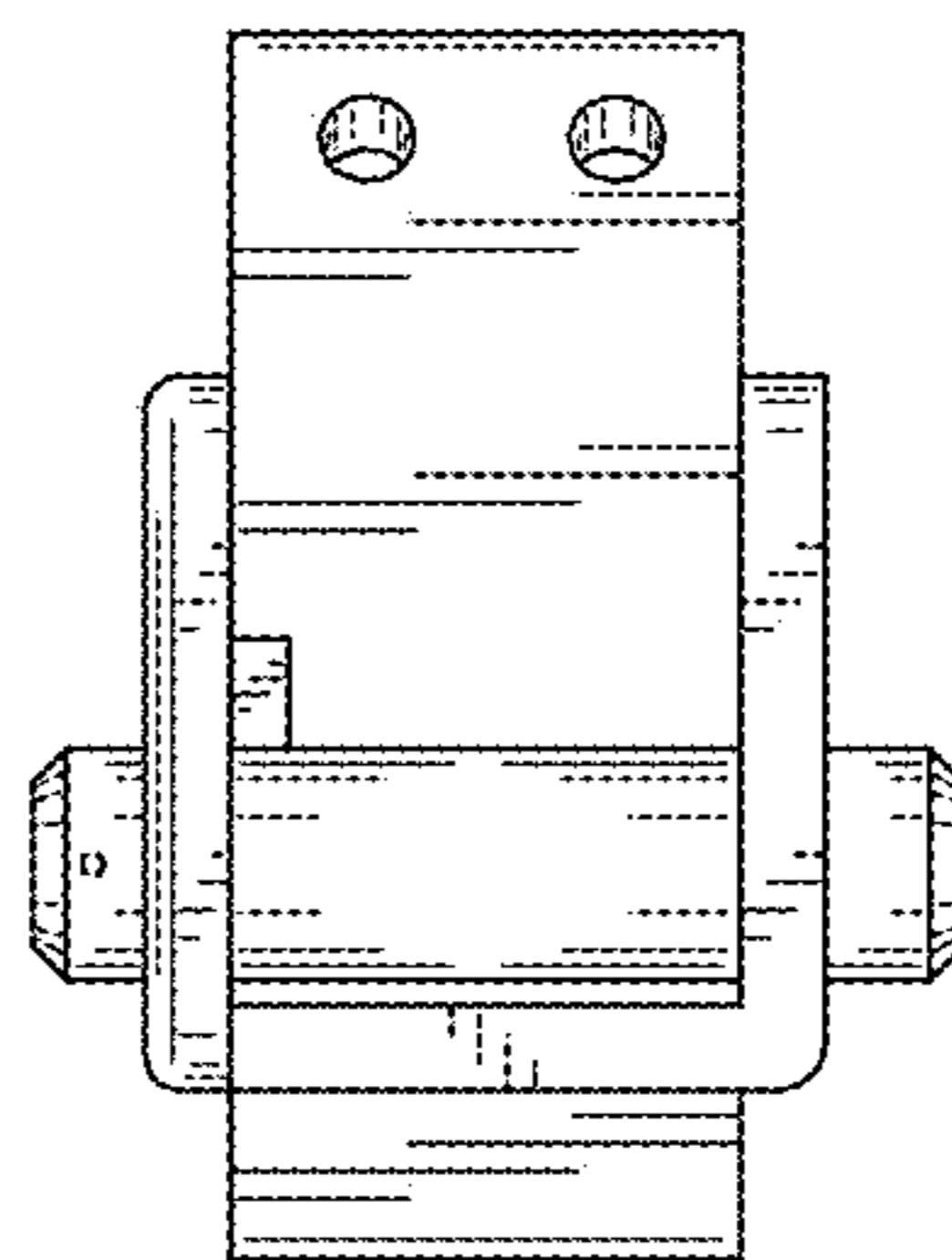


FIG. 4

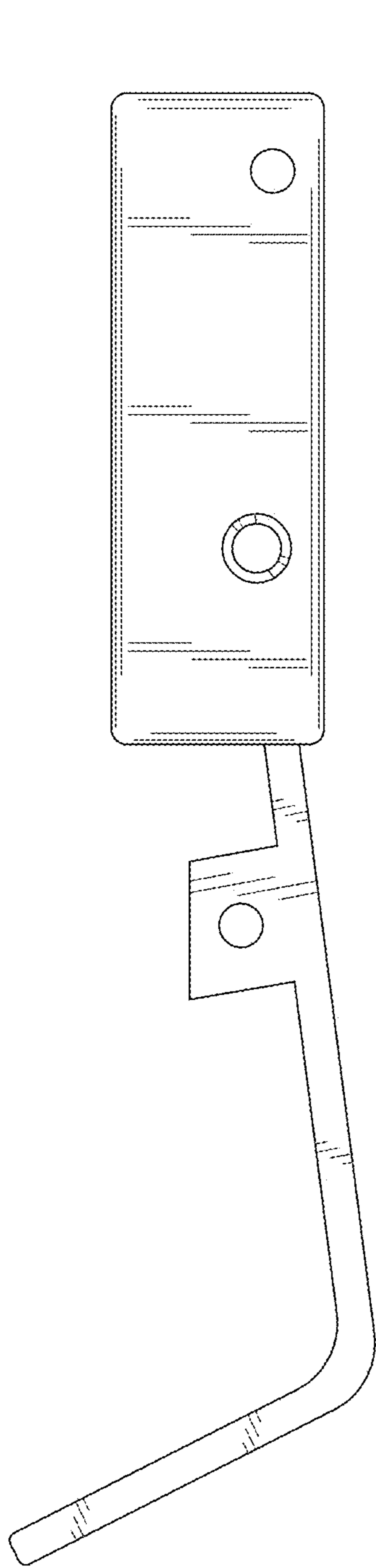


FIG. 5

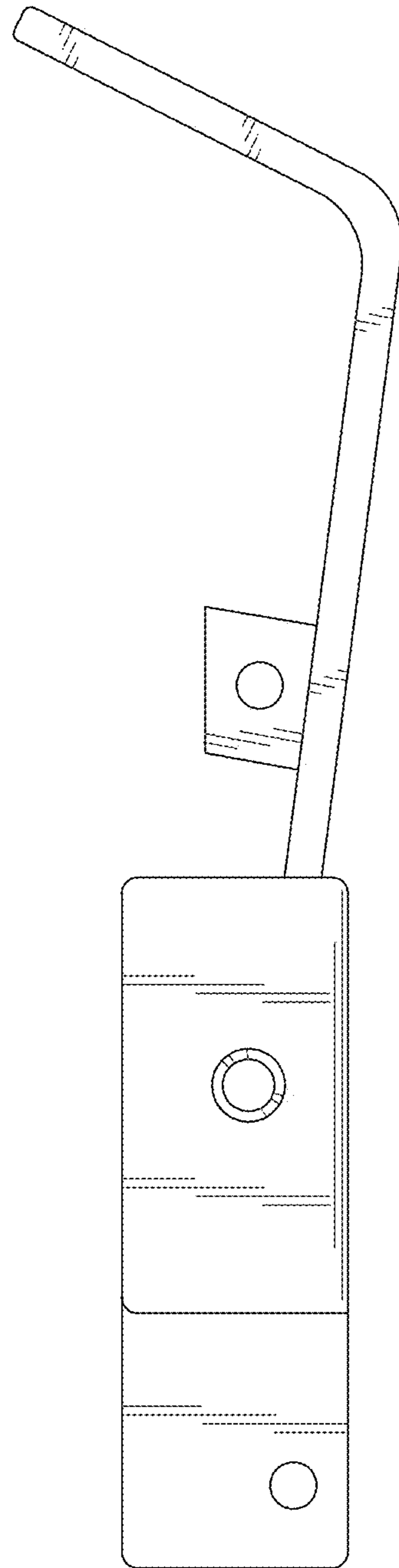


FIG. 6

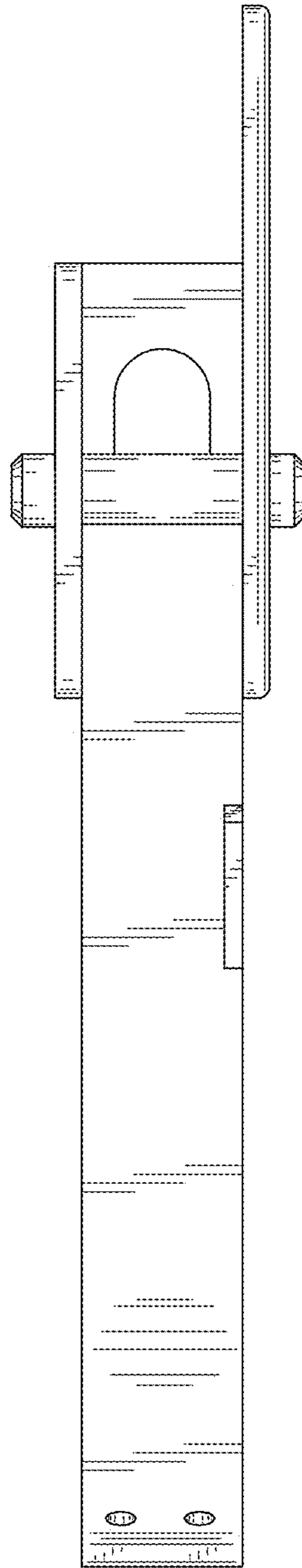


FIG. 7

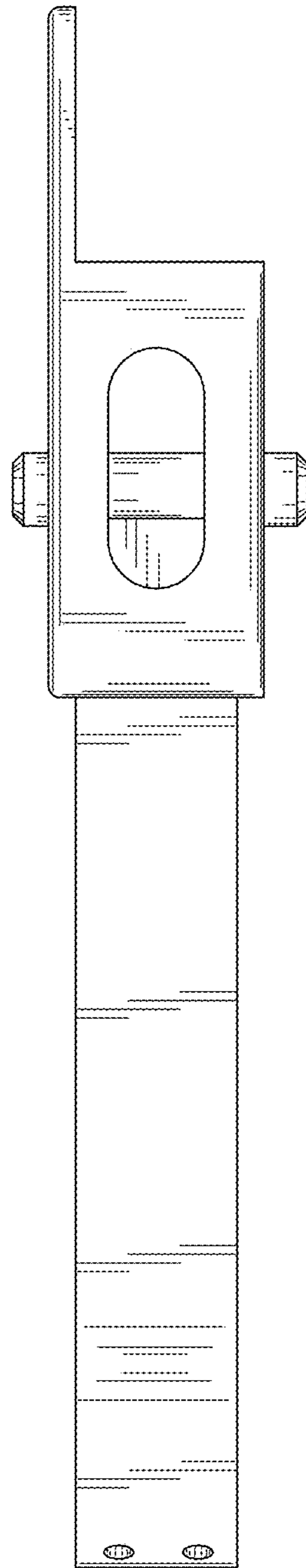


FIG. 8