



US00D899890S

(12) **United States Design Patent**
Eads

(10) **Patent No.:** **US D899,890 S**

(45) **Date of Patent:** **** Oct. 27, 2020**

- (54) **KNOB**
- (71) Applicant: **DELTA FAUCET COMPANY,**
Indianapolis, IN (US)
- (72) Inventor: **Thad Eads,** Urbana, IN (US)
- (73) Assignee: **DELTA FAUCET COMPANY,**
Indianapolis, IN (US)
- (**) Term: **15 Years**
- (21) Appl. No.: **29/683,589**
- (22) Filed: **Mar. 14, 2019**
- (51) **LOC (12) Cl.** **08-06**
- (52) **U.S. Cl.**
USPC **D8/308**
- (58) **Field of Classification Search**
USPC D8/300, 307, 308, 310; D7/393;
D23/250, 252, 254
CPC ... Y10T 292/57; Y10T 16/469; Y10T 292/82;
Y10T 74/2084; Y10T 292/85; Y10T
16/458; Y10T 16/506; Y10T 70/5155;
Y10T 16/46; Y10T 16/4559; Y10T
74/20828; Y10T 70/8541; Y10T
74/20612; Y10T 16/459; Y10T 16/487;
Y10T 70/5389; Y10T 16/462; Y10T
16/4636; E05B 1/0007; E05B 3/00; Y10S
16/30; Y10S 292/53; Y10S 292/27
See application file for complete search history.

- 5,072,977 A * 12/1991 Millman E05B 63/04
292/172
- D327,408 S * 6/1992 Fulton D8/300
- D695,587 S * 12/2013 Pallone D8/307
- D702,995 S * 4/2014 Dodane D7/393
- D723,901 S * 3/2015 Holtman D8/307
- D756,194 S * 5/2016 Brown D8/308
- D787,295 S * 5/2017 Young D8/307

* cited by examiner

Primary Examiner — Lauren R Calve

(74) *Attorney, Agent, or Firm* — Nirav D. Parikh; Edgar
A. Zarins

(57) **CLAIM**

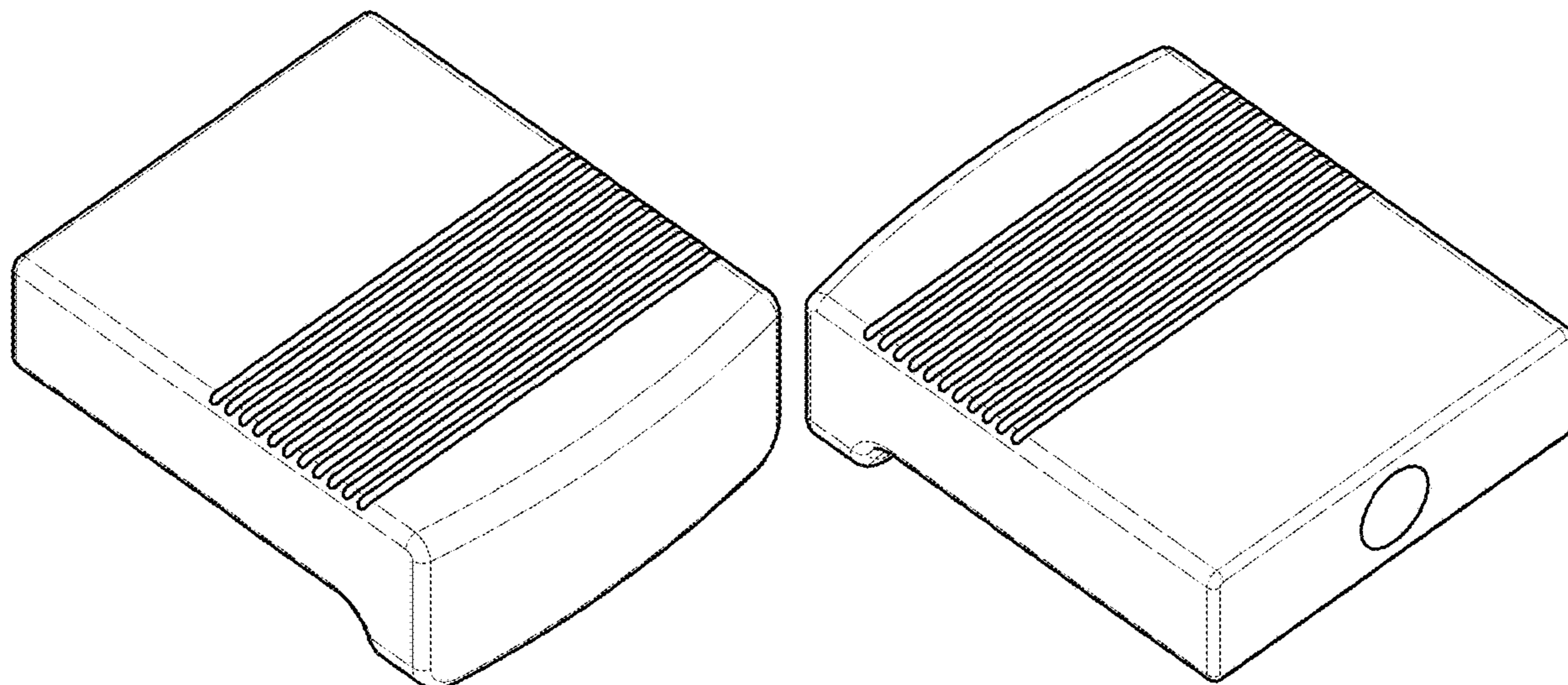
The ornamental design for a knob, as shown and described.

DESCRIPTION

FIG. 1 is a front perspective view of a knob showing my new design;
 FIG. 2 is a rear perspective view thereof;
 FIG. 3 is a front elevational view thereof;
 FIG. 4 is a left side view thereof;
 FIG. 5 is a rear view thereof;
 FIG. 6 is a right side view thereof;
 FIG. 7 is a top plan view thereof; and,
 FIG. 8 is a bottom view thereof.

1 Claim, 4 Drawing Sheets

- (56) **References Cited**
U.S. PATENT DOCUMENTS
D167,561 S * 8/1952 Dailey et al. D8/314
D174,222 S * 3/1955 Howie D7/393
D308,244 S * 5/1990 Leonakis D8/307



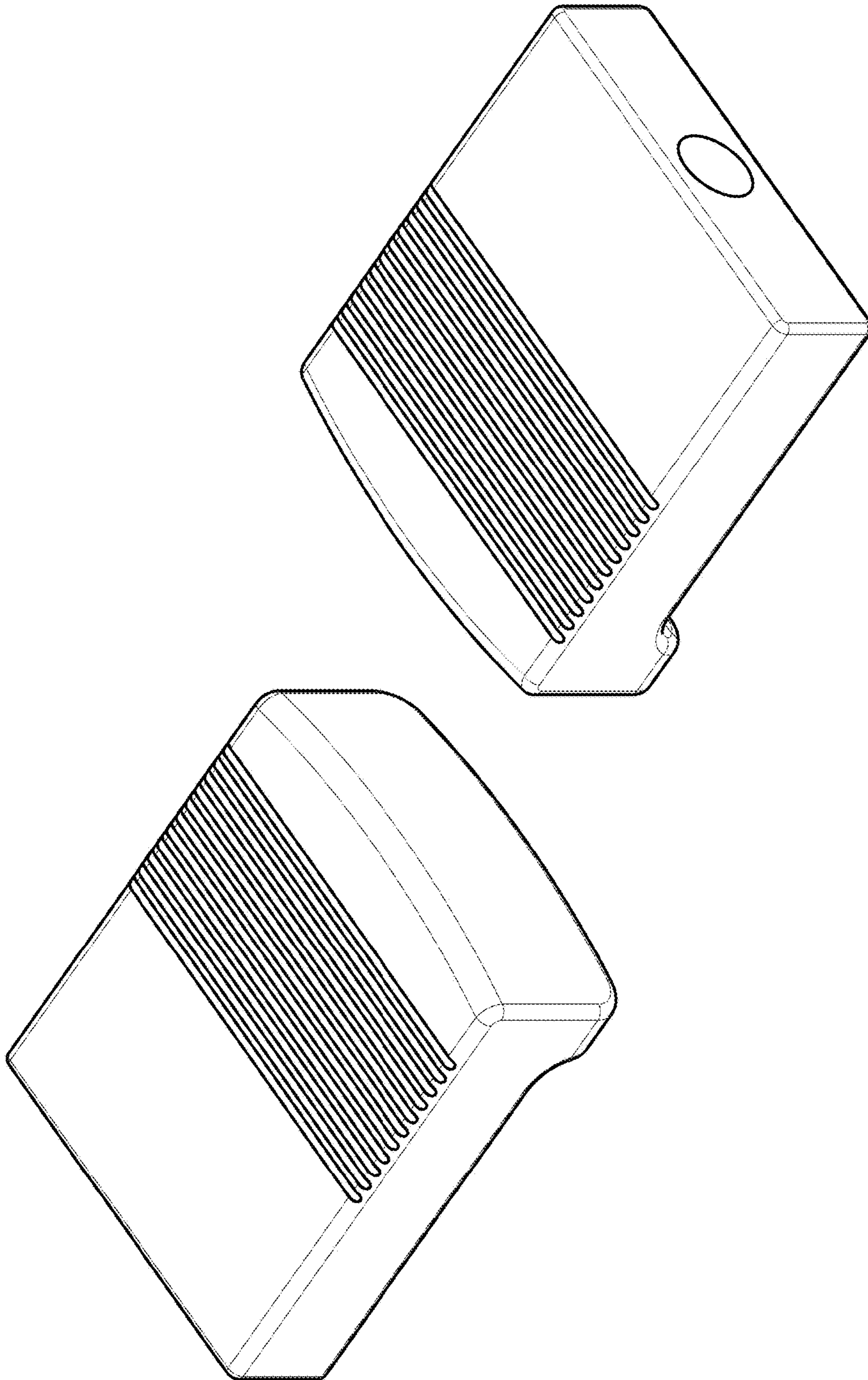


FIG - 2

FIG - 1

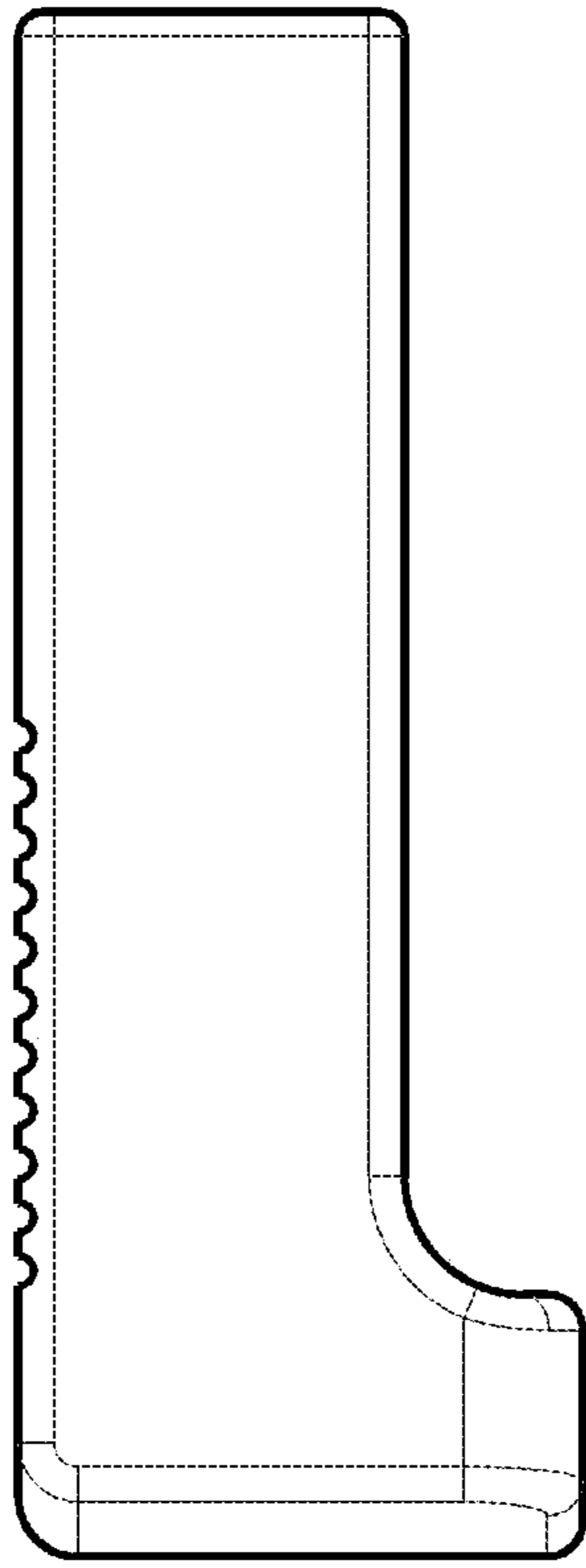


FIG - 4

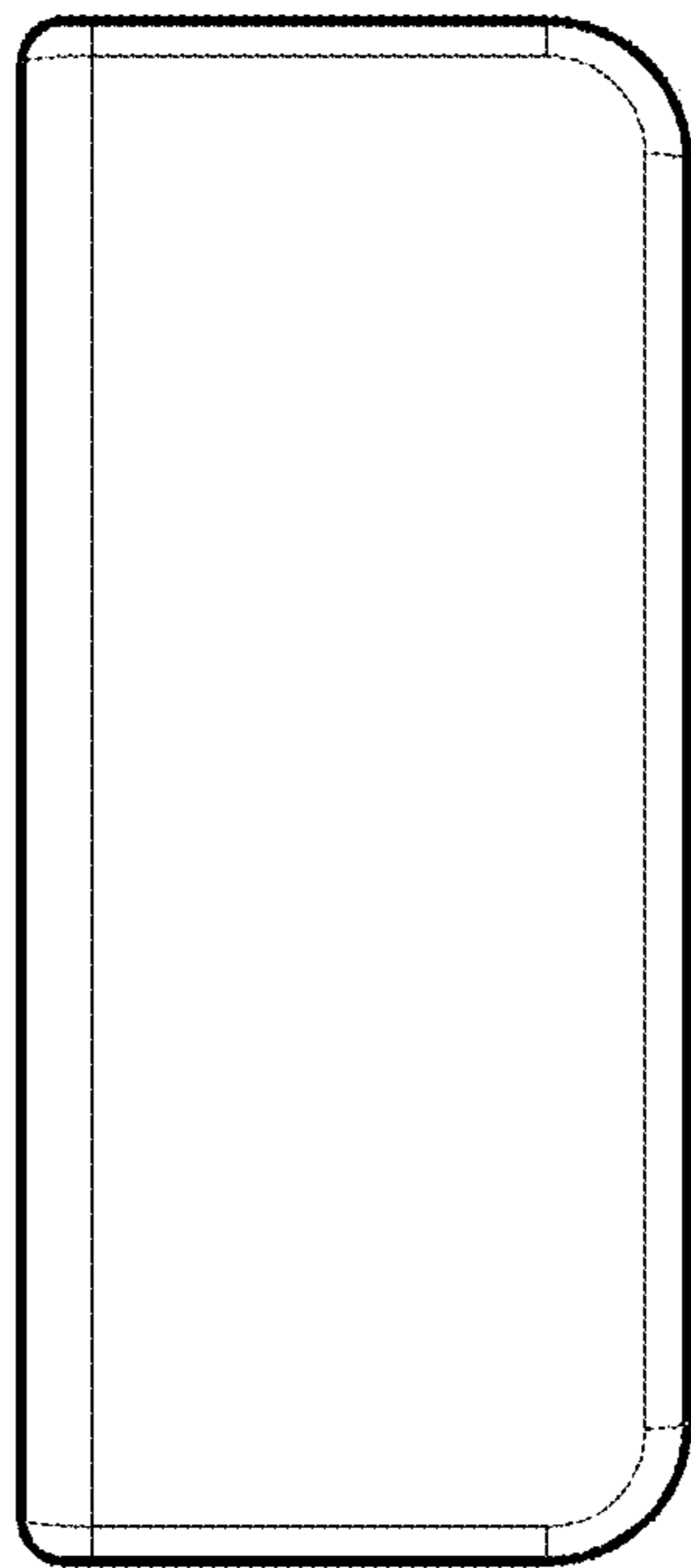


FIG - 3

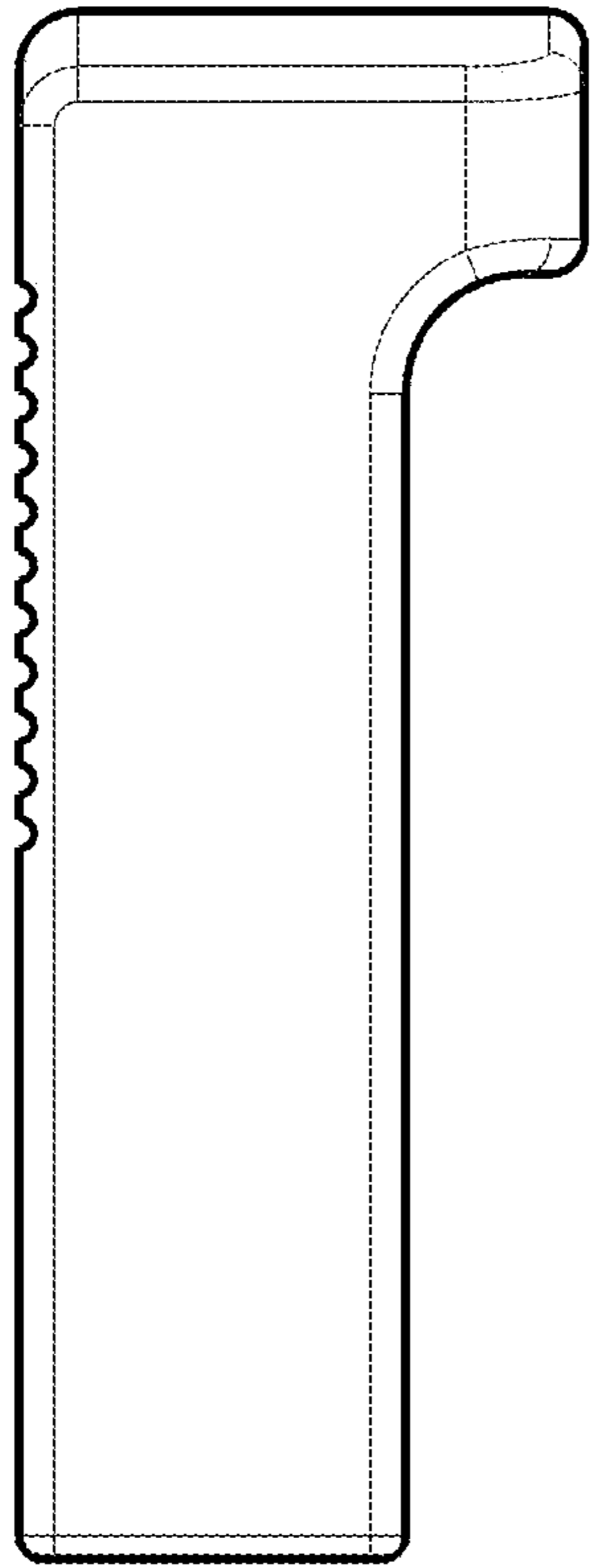


FIG - 6

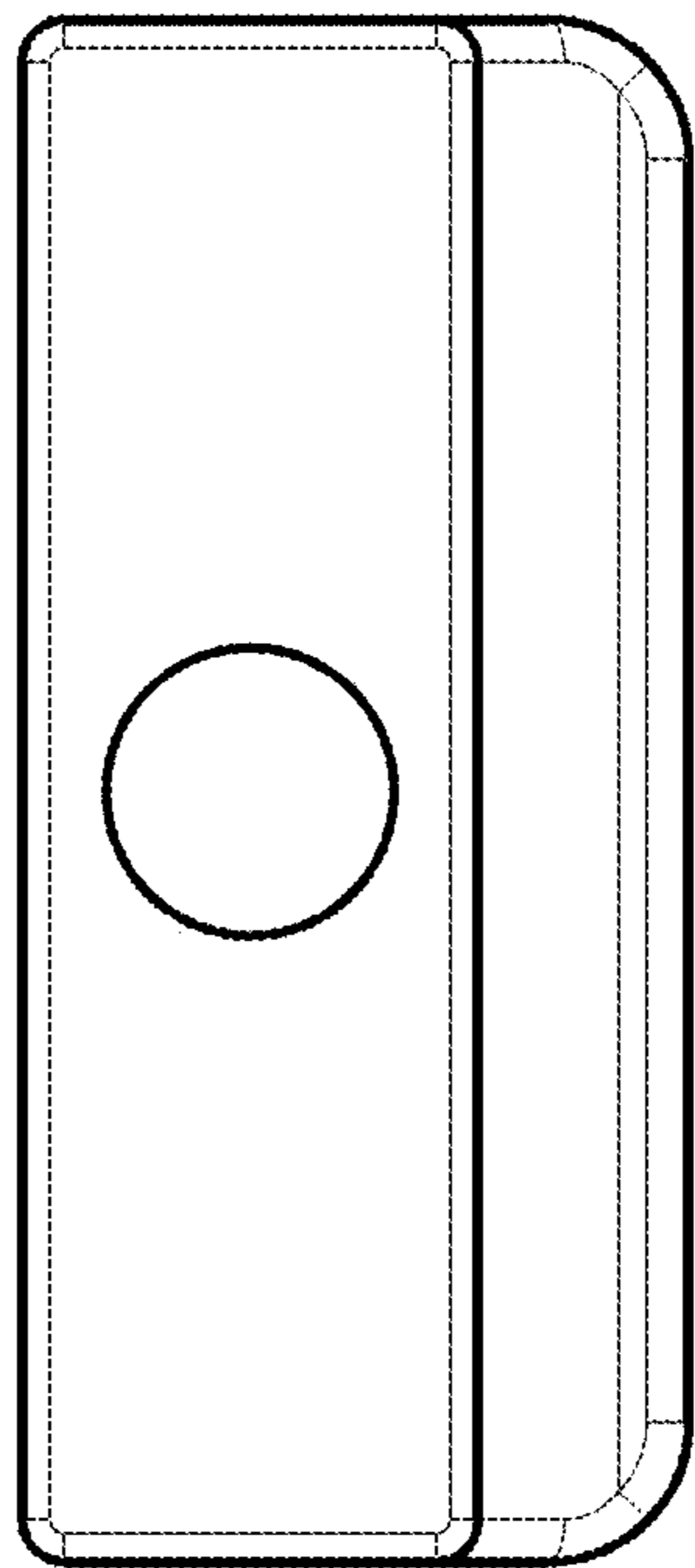


FIG - 5

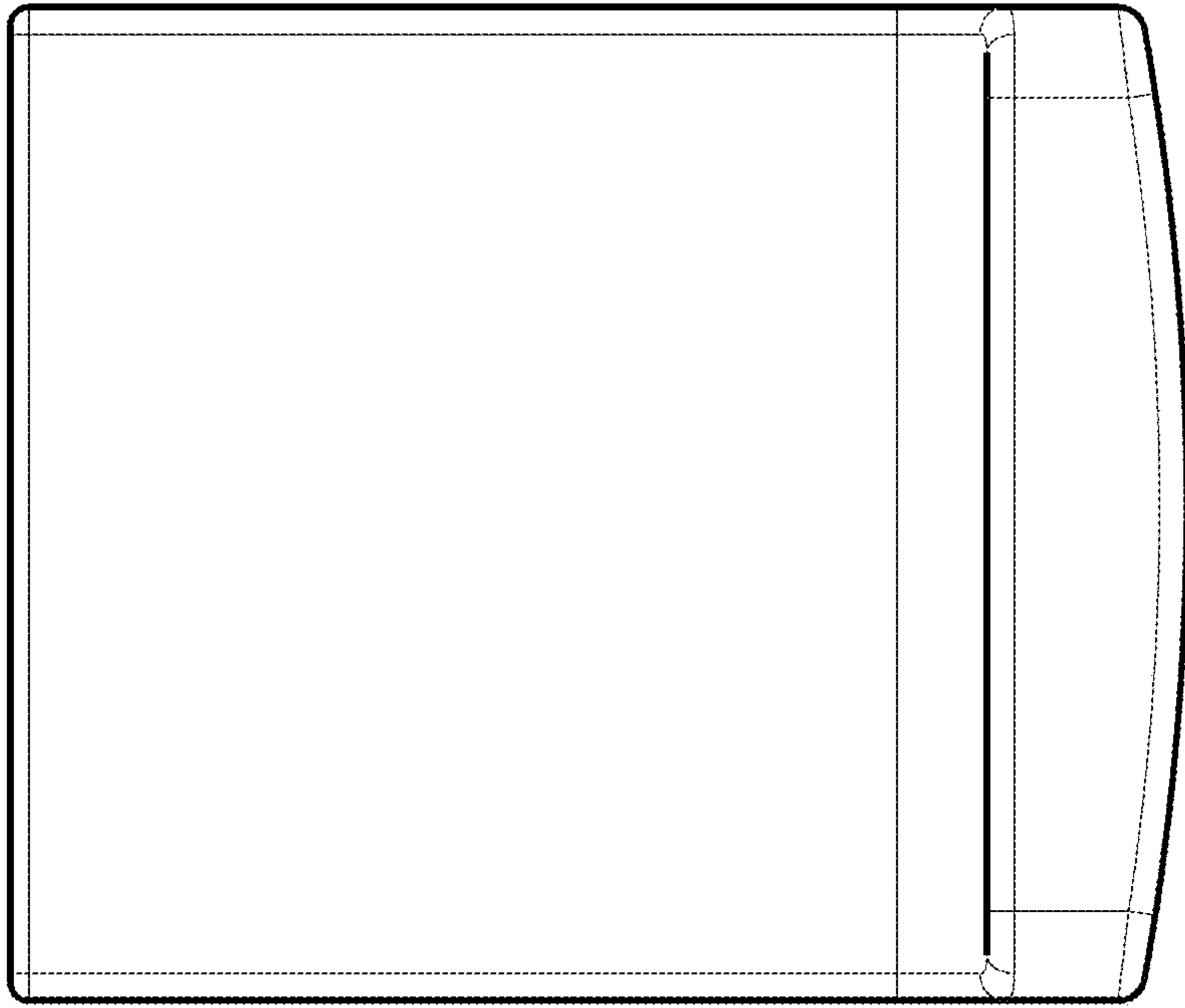


FIG - 8

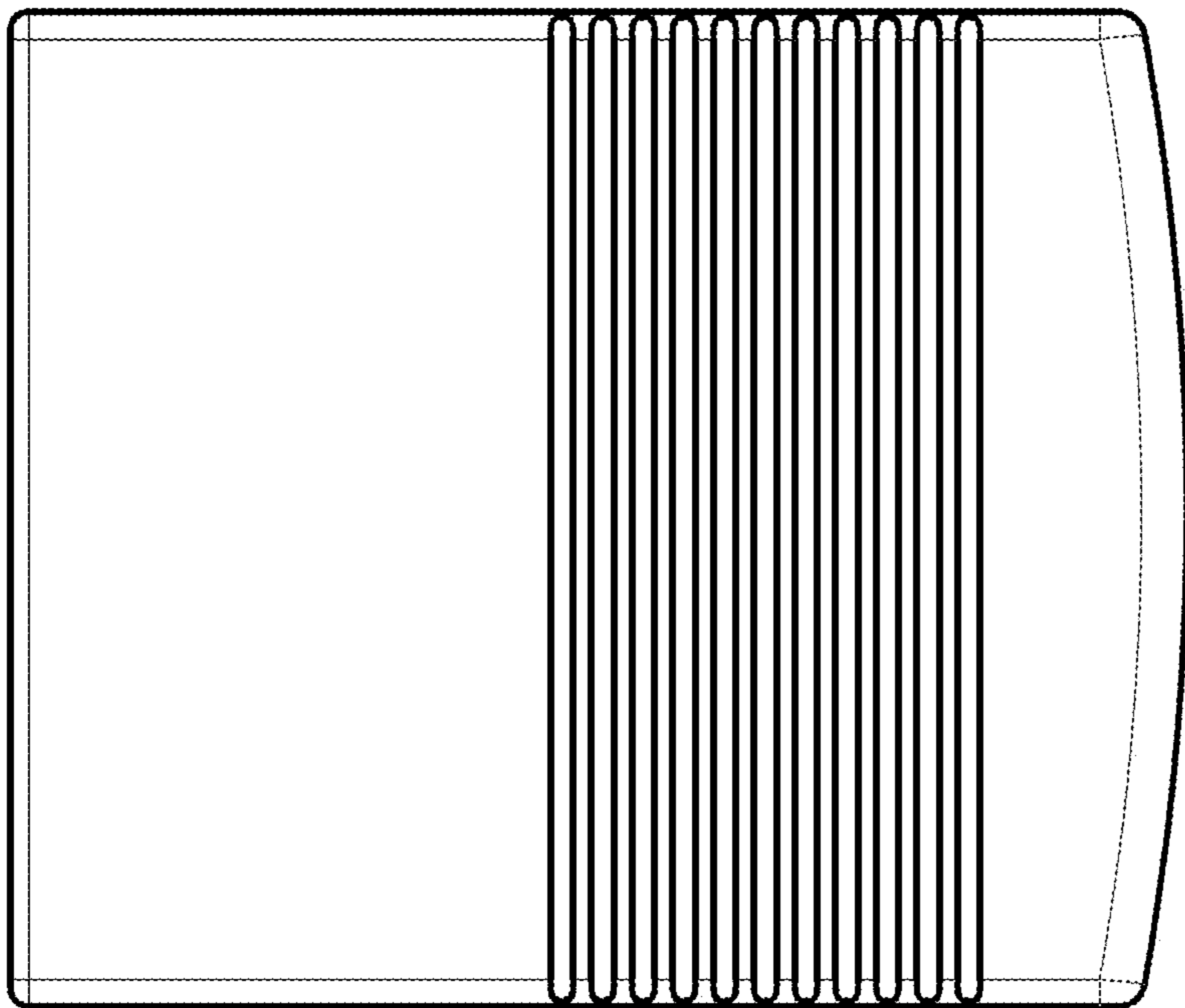


FIG - 7