

US00D899886S

(12) **United States Design Patent** (10) **Patent No.:** **US D899,886 S**  
**Takashima** (45) **Date of Patent:** **\*\* Oct. 27, 2020**

(54) **CUTTER KNIFE**  
(71) Applicant: **OLFA CORPORATION**, Osaka (JP)  
(72) Inventor: **Yosuke Takashima**, Osaka (JP)  
(73) Assignee: **Olfa Corporation**, Osaka-shi (JP)  
(\*\*) Term: **15 Years**  
(21) Appl. No.: **35/507,179**  
(22) Filed: **Nov. 27, 2018**  
(80) **Hague Agreement Data**  
Int. Filing Date: **Nov. 27, 2018**  
Int. Reg. No.: **DM/202055**  
Int. Reg. Date: **Nov. 27, 2018**  
Int. Reg. Pub. Date: **Aug. 2, 2019**

(30) **Foreign Application Priority Data**  
May 29, 2018 (JP) ..... 2018-011734  
(51) **LOC (12) Cl.** ..... **08-03**  
(52) **U.S. Cl.**  
USPC ..... **D8/98**  
(58) **Field of Classification Search**  
USPC ..... D8/16, 70.1, 94, 98, 99, 101, 102, 105,  
D8/107; D22/118  
CPC .. B26B 5/005; B26B 5/00; B26B 1/10; B26B  
29/02; B25F 1/04; E04F 21/32  
See application file for complete search history.

(56) **References Cited**  
U.S. PATENT DOCUMENTS  
D436,306 S \* 1/2001 Fu-Hui ..... D8/107  
D502,379 S \* 3/2005 Tseng ..... D8/99  
D527,604 S 9/2006 Kempker et al.  
D532,277 S \* 11/2006 Shih ..... D8/107  
D532,278 S \* 11/2006 Shih ..... D8/107  
D558,009 S \* 12/2007 Kinsky ..... D8/25  
D610,433 S \* 2/2010 Garcia ..... D8/107  
D633,358 S \* 3/2011 Deguglimo ..... D8/83

D649,001 S \* 11/2011 Still ..... D8/105  
D660,675 S 5/2012 Gringer et al.  
D714,611 S \* 10/2014 Yu Chen ..... D8/98  
(Continued)

**OTHER PUBLICATIONS**

Screenshot: Stanley FMHT10376-1—20 spare bead heads for Fatmax® safety knife FMHT10361-0. Undated; one page. Found online Jun. 25, 2020 at <https://www.misterworker.com/en-gb/stanley/20-spare-bead-heads-for-fatmax-safety-knife-fmht10361-0/14579.html> (Year: 2020).\*

(Continued)

*Primary Examiner* — Robert M. Spear  
(74) *Attorney, Agent, or Firm* — Crowell & Moring LLP

(57) **CLAIM**

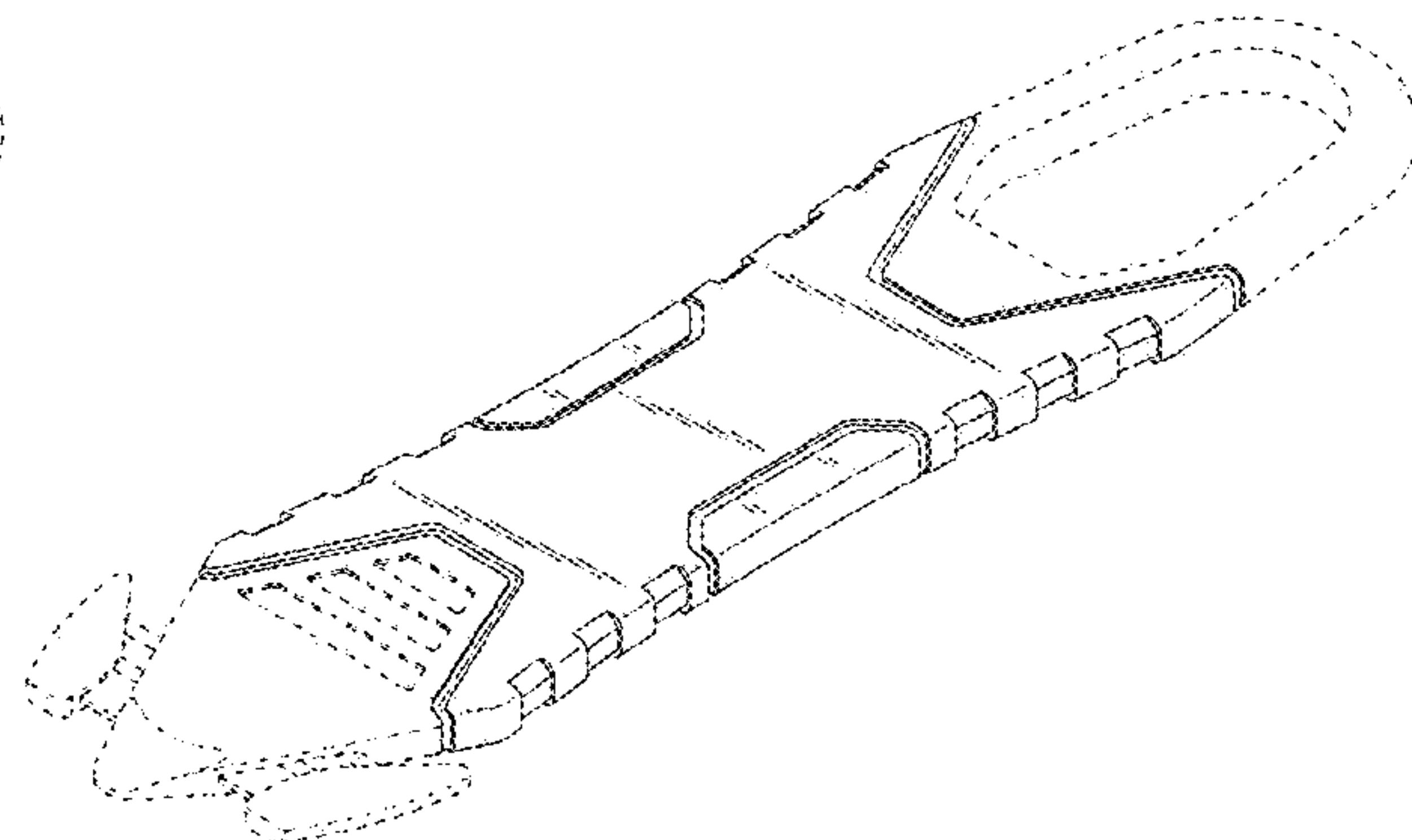
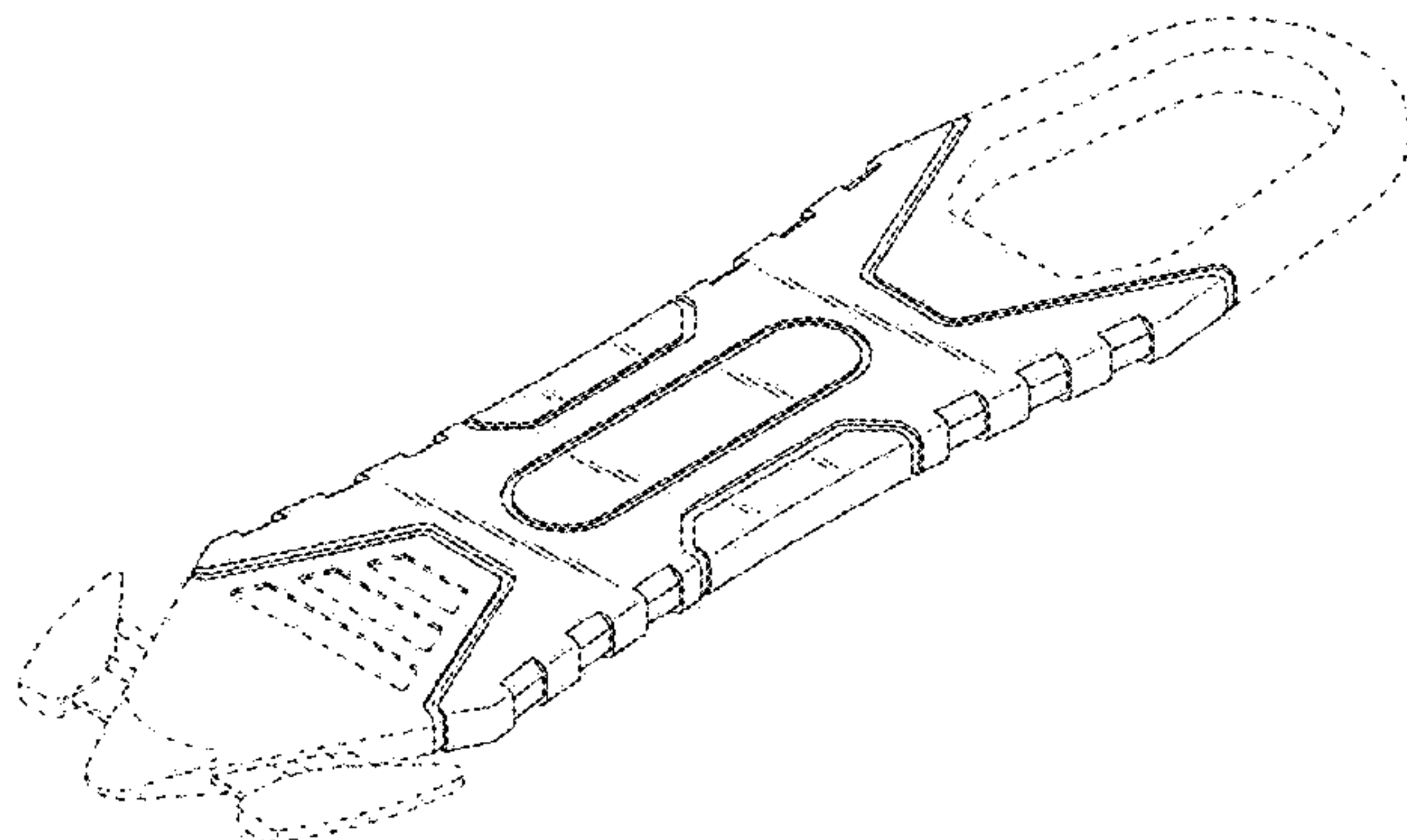
The ornamental design for a cutter knife, as shown and described.

**DESCRIPTION**

- 1.-2. Cutter knife
- 1.1 : Top perspective view
- 1.2 : Bottom perspective view
- 1.3 : Front view
- 1.4 : Left view
- 1.5 : Right view
- 1.6 : Top view
- 1.7 : Bottom view
- 2.1 : Top perspective view
- 2.2 : Bottom perspective view
- 2.3 : Front view
- 2.4 : Left view
- 2.5 : Right view
- 2.6 : Top view
- 2.7 : Bottom view

The part represented by solid lines is the claimed-design, and other parts represented by broken lines form no parts of the claimed-design; in designs 1 and 2 the back view is the mirror image of the front view.

**1 Claim, 14 Drawing Sheets**



(56)

**References Cited**

## U.S. PATENT DOCUMENTS

|            |   |         |          |       |        |
|------------|---|---------|----------|-------|--------|
| D752,942 S | * | 4/2016  | Rohrbach | ..... | D8/98  |
| D753,977 S | * | 4/2016  | Nelson   | ..... | D8/83  |
| D757,511 S | * | 5/2016  | Caglar   | ..... | D8/22  |
| D778,703 S | * | 2/2017  | Nelson   | ..... | D8/83  |
| D779,907 S | * | 2/2017  | Nelson   | ..... | D8/80  |
| D784,107 S | * | 4/2017  | Chen     | ..... | D8/98  |
| D802,394 S | * | 11/2017 | Yu Chen  | ..... | D8/98  |
| D807,142 S | * | 1/2018  | Hyma     | ..... | D8/98  |
| D817,142 S | * | 5/2018  | Rohrbach | ..... | D8/98  |
| D837,626 S | * | 1/2019  | Rohrbach | ..... | D8/98  |
| D847,605 S | * | 5/2019  | Masuda   | ..... | D8/99  |
| D852,607 S | * | 7/2019  | Hyma     | ..... | D8/98  |
| D863,924 S | * | 10/2019 | Nguyen   | ..... | D8/98  |
| D887,811 S | * | 6/2020  | Adelman  | ..... | D8/105 |

## OTHER PUBLICATIONS

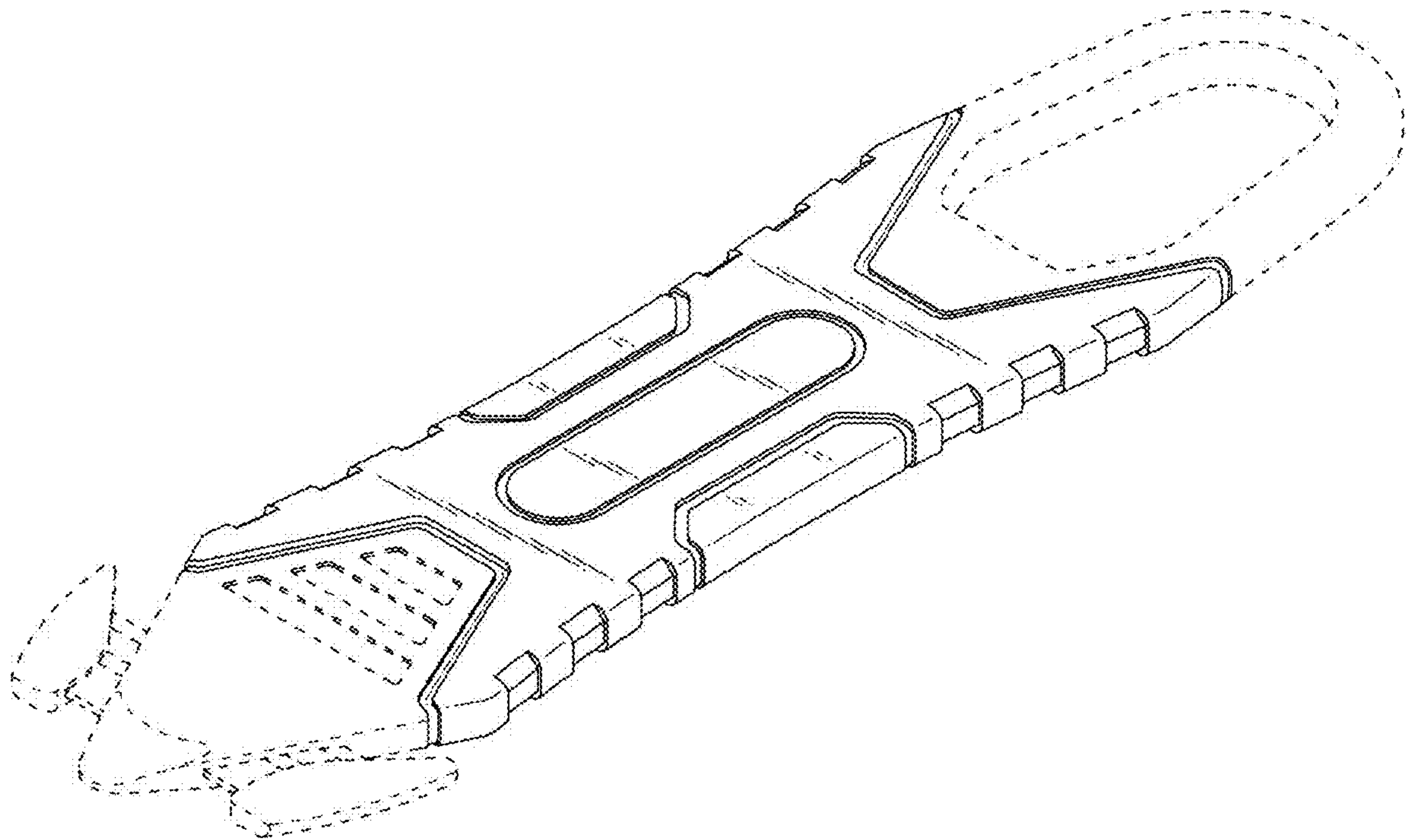
Screenshot: OLFA® SK-15/10 Disposable Concealed Stainless Steel Blade Safety Knife (10 Pack). Undated; one page. Found online Jun. 25, 2020 at <https://www.globalindustrial.com/> (See printed copy for full URL) (Year: 2020).\*

Screenshot: OLFA SK-15 Disposable Concealed Blade Safety Knife. May 22, 2019; one page. Found online Jun. 25, 2020 at <https://www.youtube.com/watch?v=dmT21f9-95M> (Year: 2019).\*

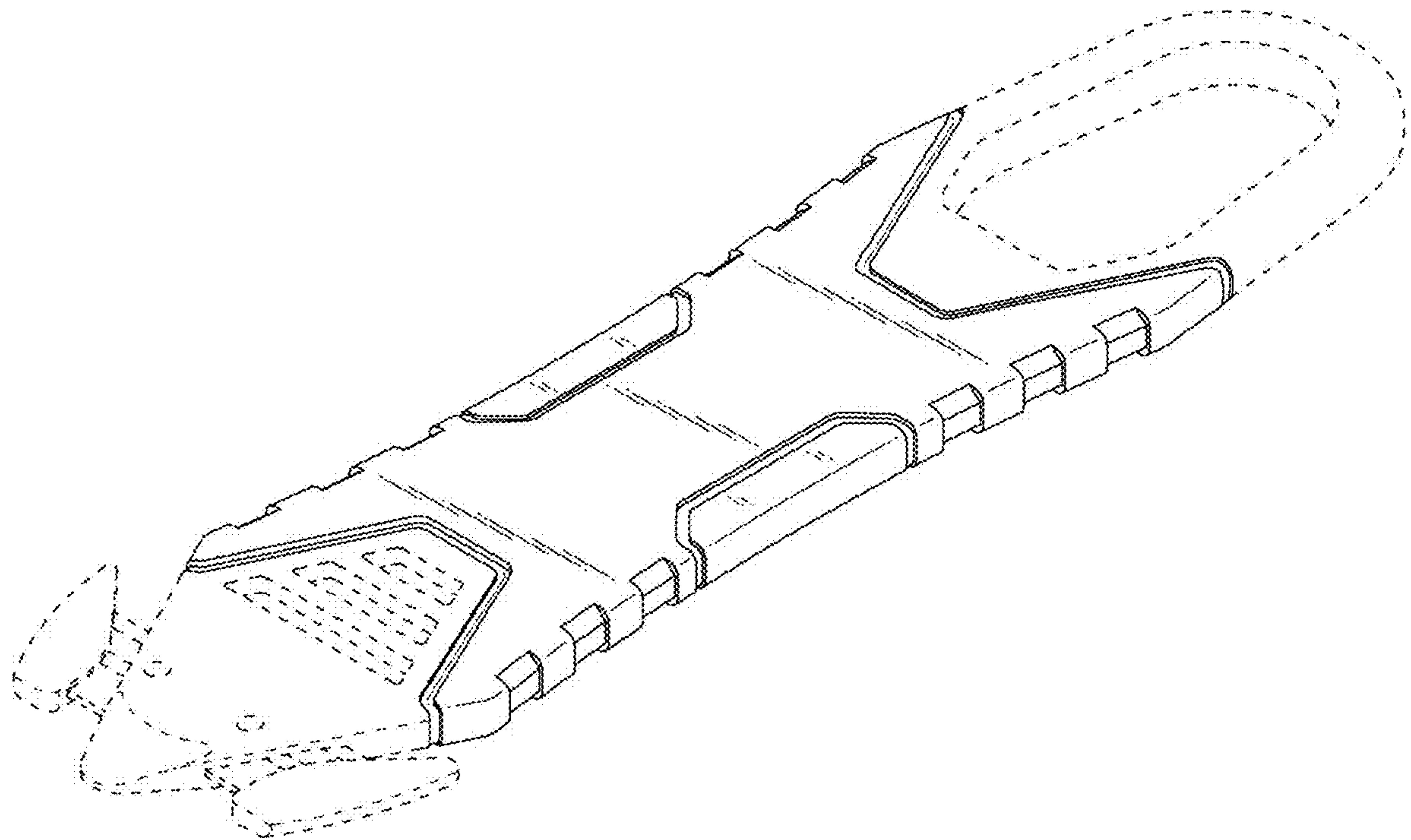
Screenshot: Olfa Extra Heavy-Duty Rubber Grip Utility Knife. Undated; one page. Found online Jun. 25, 2020 at <https://www.wind-lock.com/olfa-extra-heavy-duty-rubber-grip-utility-knife-i-xhal> (Year: 2020).\*

\* cited by examiner

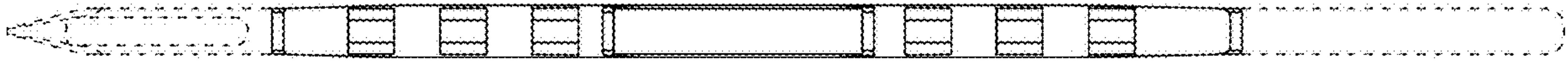
1.1



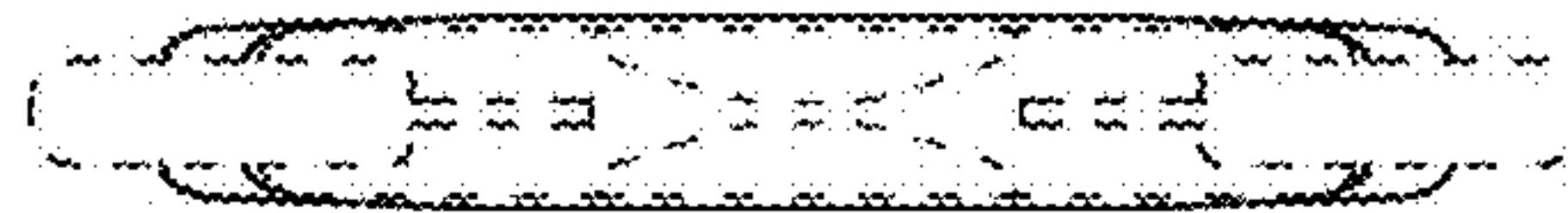
1.2



1.3



1.4

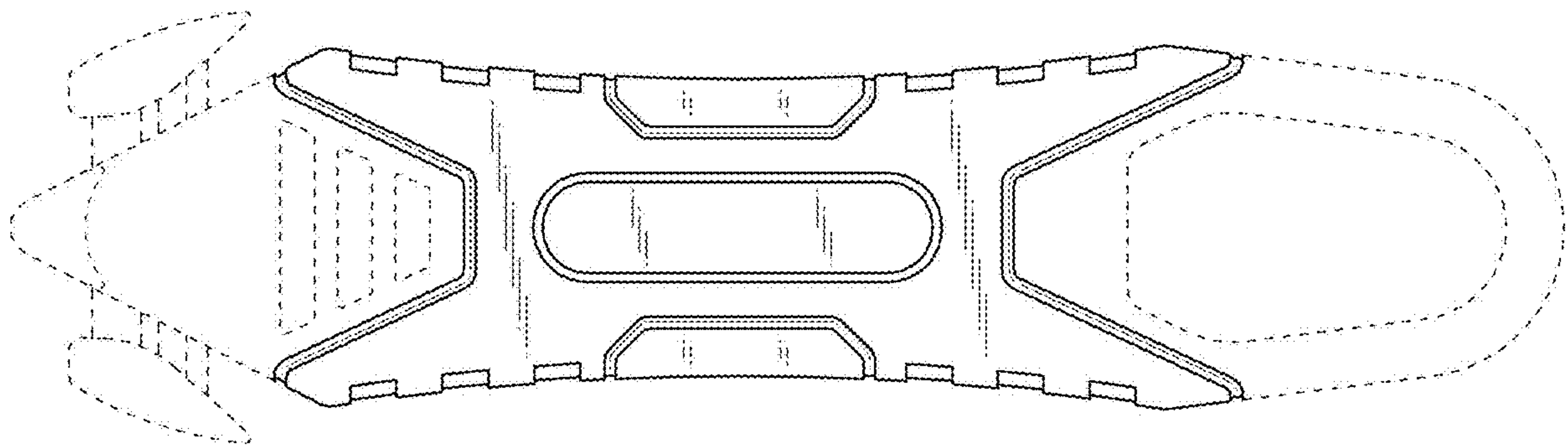


1.5



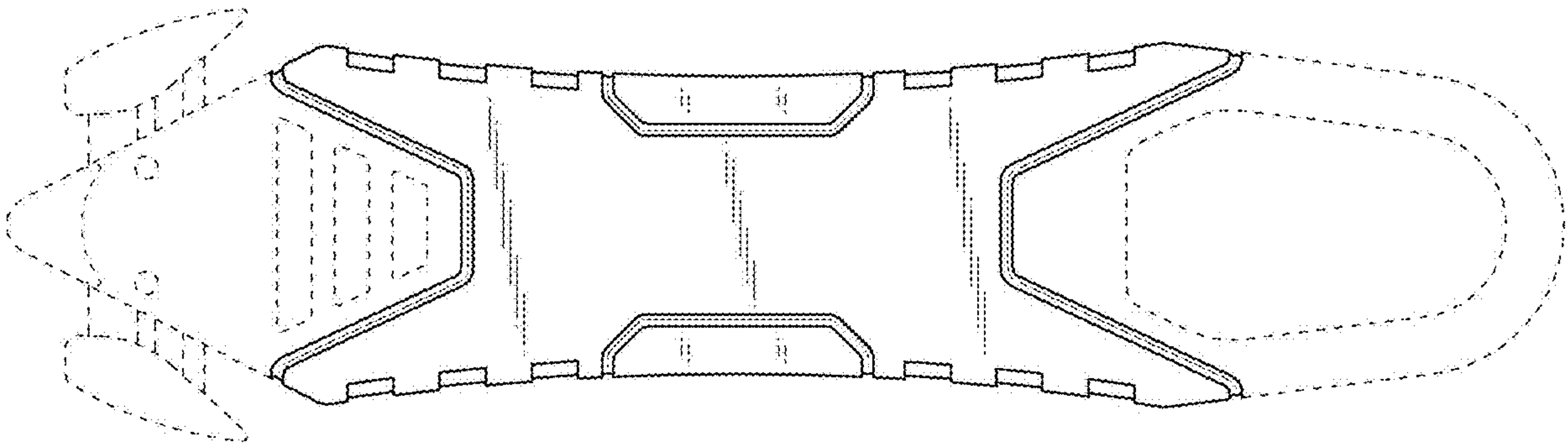


1.6

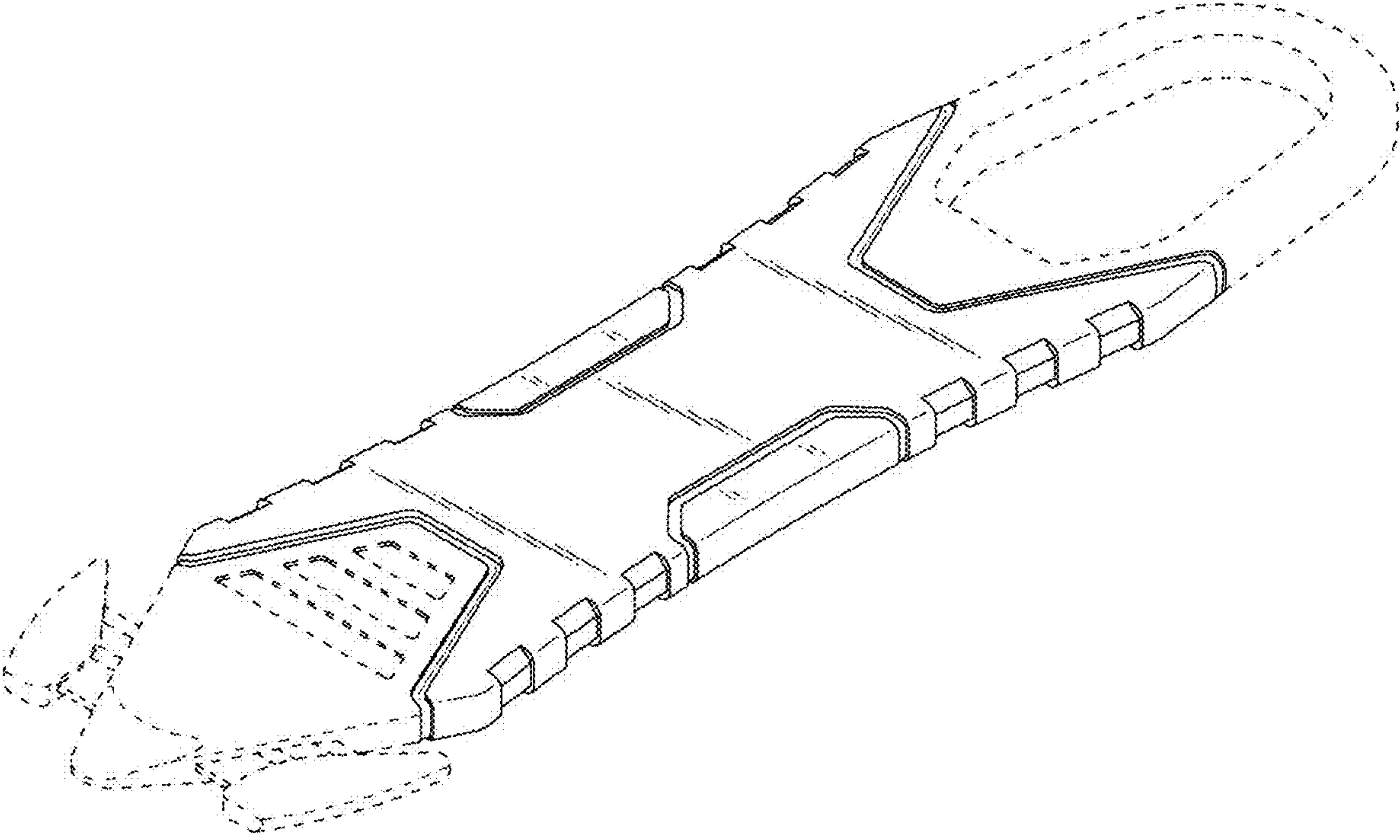




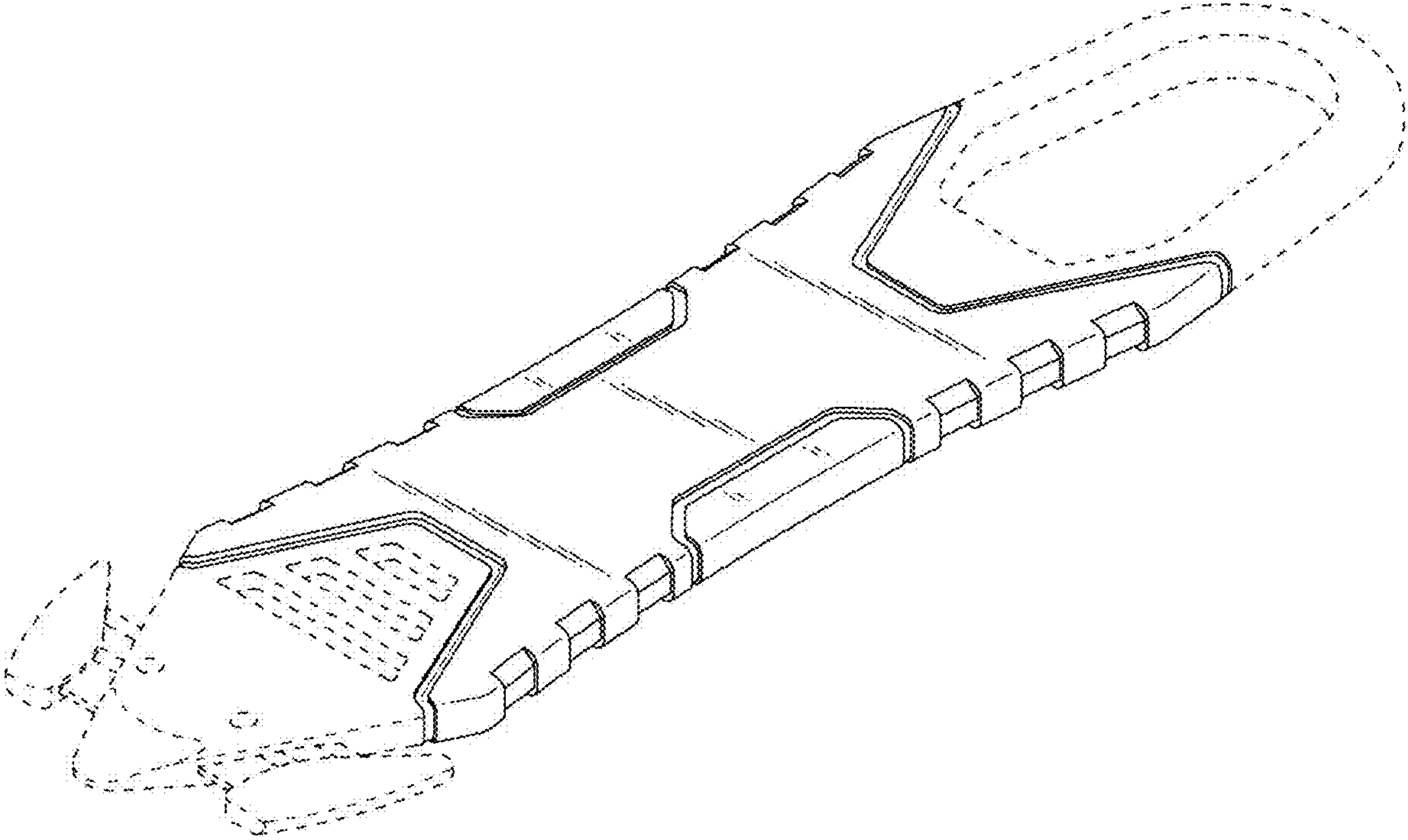
1.7



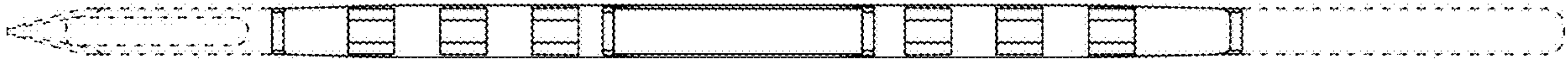
2.1



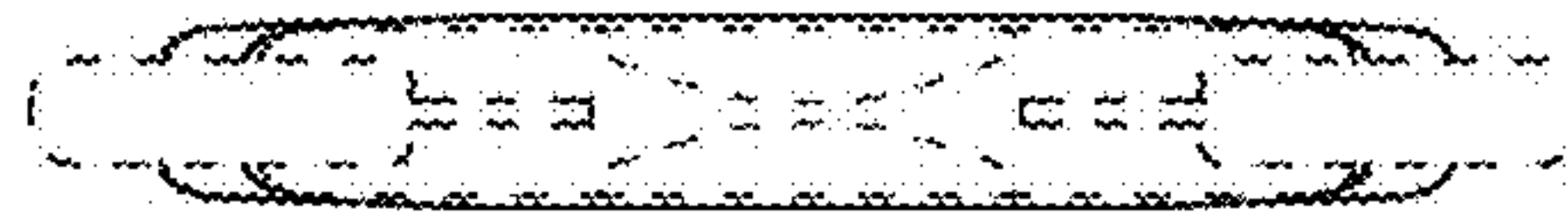
2.2



2.3



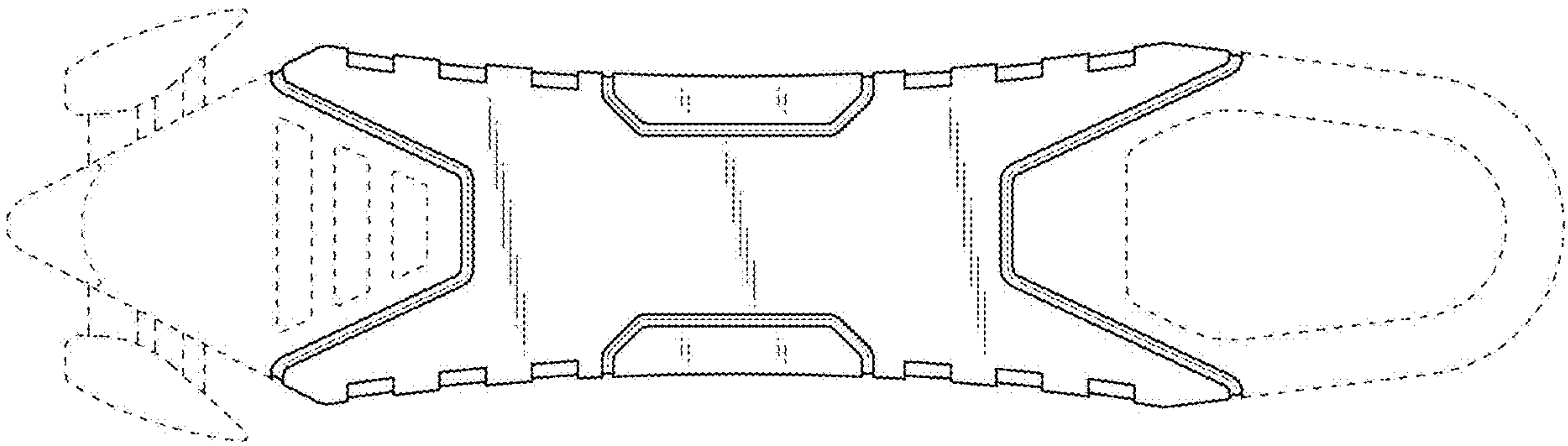
2.4



2.5



2.6





2.7

