



US00D899884S

(12) **United States Design Patent**
Lin

(10) **Patent No.:** **US D899,884 S**

(45) **Date of Patent:** **** Oct. 27, 2020**

(54) **CLAMP**

(71) Applicant: **Li-Chieh Lin**, Changhua County (TW)

(72) Inventor: **Li-Chieh Lin**, Changhua County (TW)

(**) Term: **15 Years**

(21) Appl. No.: **29/707,764**

(22) Filed: **Oct. 1, 2019**

(51) **LOC (12) Cl.** **08-05**

(52) **U.S. Cl.**
USPC **D8/72**

(58) **Field of Classification Search**
USPC D8/71-74, 394-399, 59; 248/63, 72,
248/74.1, 689, 124.2; 81/487, 385, 386,
81/388-390; 269/3, 4, 6, 143, 165, 240,
269/243, 246-249, 254 R, 147-149;
29/256, 257, 276; 408/103, 104-109
CPC B25B 1/00; B25B 5/00
See application file for complete search history.

(56) **References Cited**

U.S. PATENT DOCUMENTS

D400,414 S * 11/1998 Wilson D8/58
D409,901 S * 5/1999 Blackburn D8/395
D442,047 S * 5/2001 Hicks D8/395
D481,623 S * 11/2003 Chen D8/394

D491,780 S * 6/2004 Noniewicz D8/52
7,156,278 B2 * 1/2007 Wu B23K 3/087
219/230
7,185,409 B1 * 3/2007 Myers A01G 25/023
269/6
D571,179 S * 6/2008 Ahlgren D8/395
D594,726 S * 6/2009 Arredondo D8/72
7,744,043 B2 * 6/2010 Otinger F16L 3/02
248/75
8,087,137 B2 * 1/2012 Wang B25B 7/12
29/266
D839,085 S * 1/2019 Green D8/394
D881,684 S * 4/2020 Yoshikawa D8/395

* cited by examiner

Primary Examiner — David G Muller

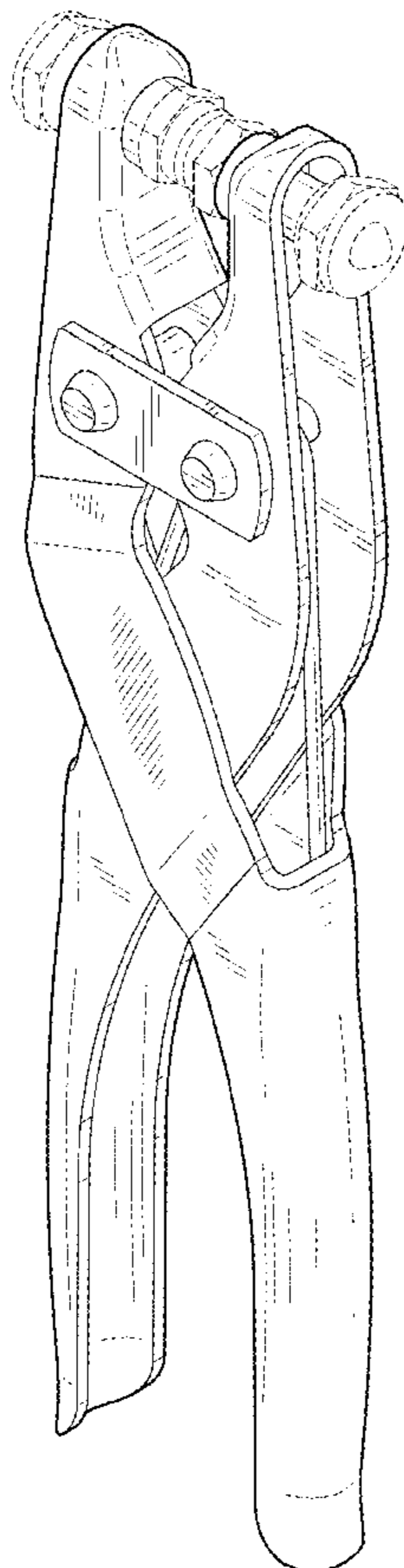
(57) **CLAIM**

The ornamental design for a clamp, as shown and described.

DESCRIPTION

FIG. 1 is a perspective view of a clamp showing my new design;
FIG. 2 is a front elevational view thereof;
FIG. 3 is a rear elevational view thereof;
FIG. 4 is a left side elevational view thereof;
FIG. 5 is a right side elevational view thereof;
FIG. 6 is a top plan view thereof;
FIG. 7 is a bottom plan view thereof; and,
FIG. 8 is another perspective view thereof.

1 Claim, 7 Drawing Sheets



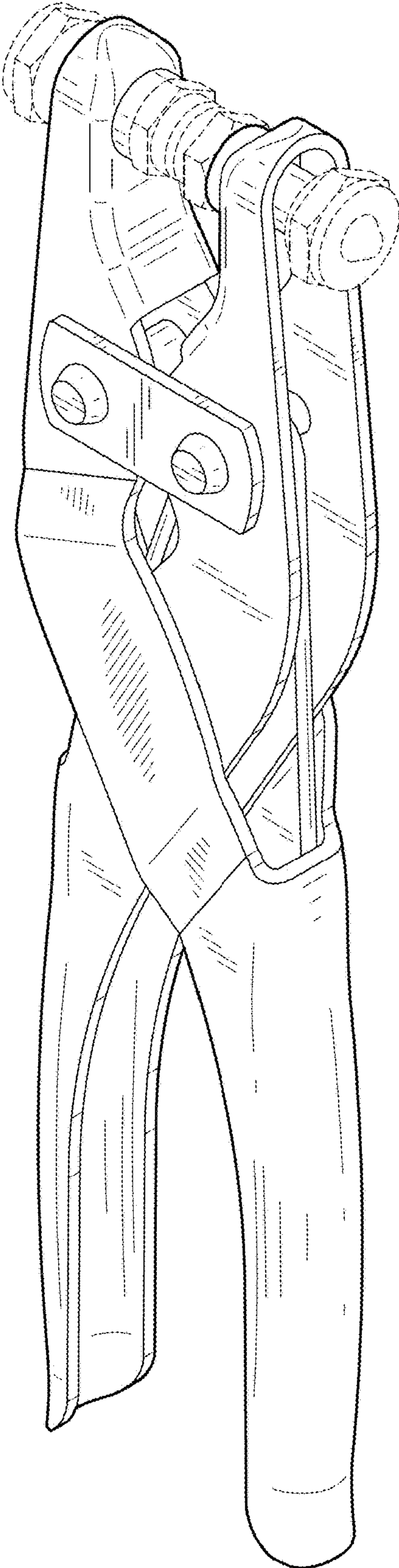


FIG. 1

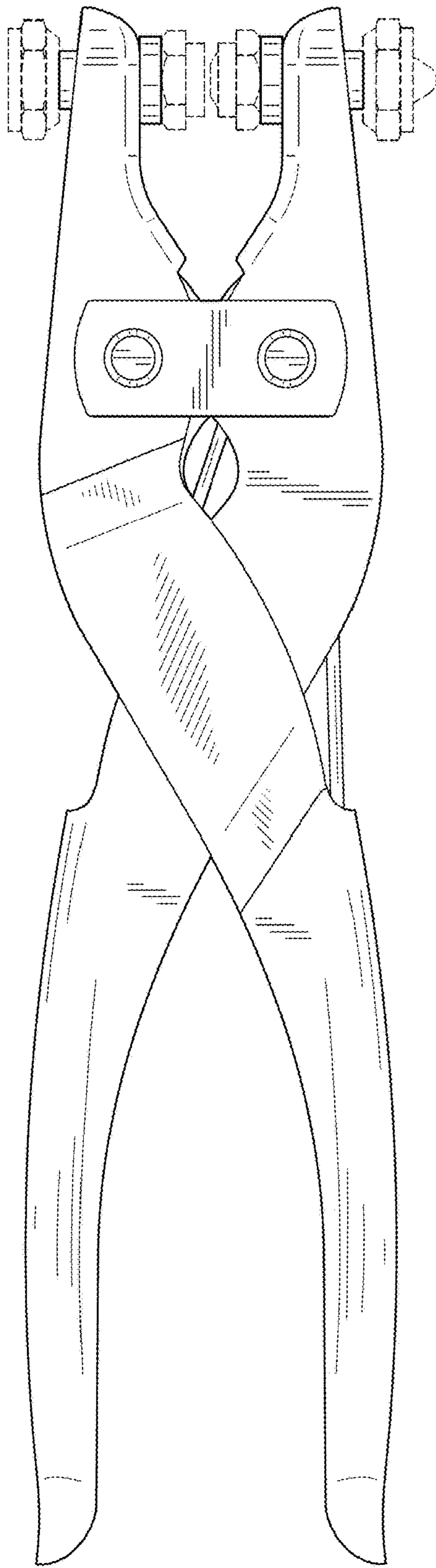


FIG. 2

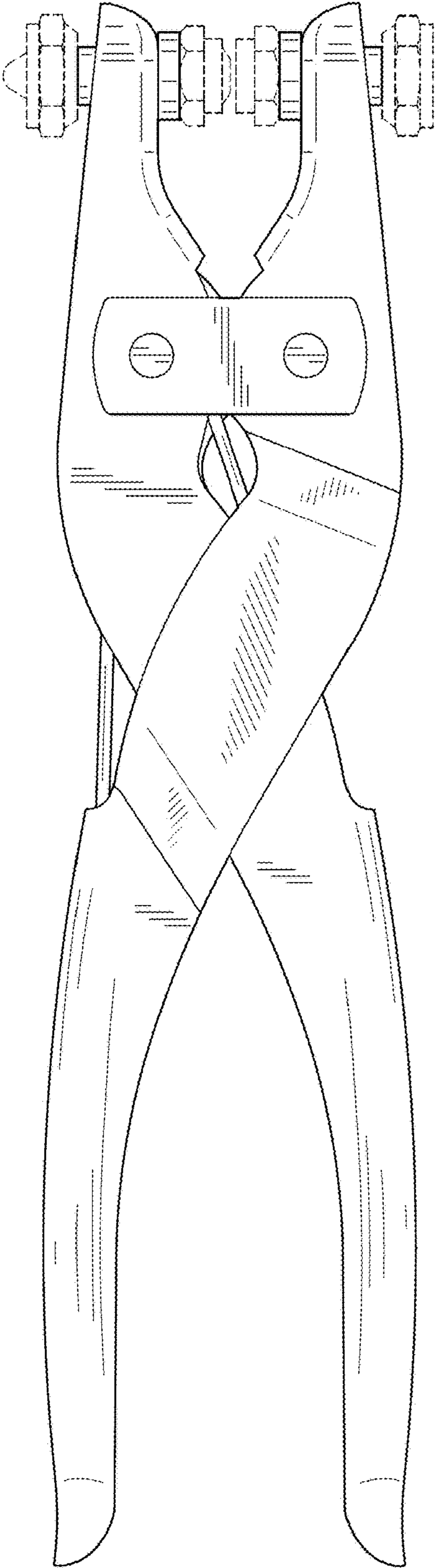


FIG. 3

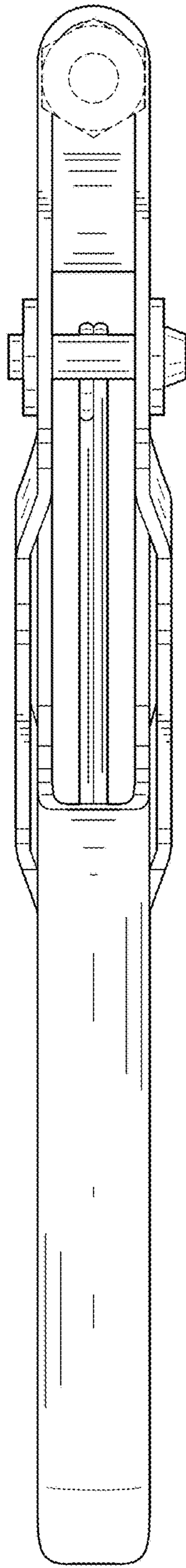


FIG. 4

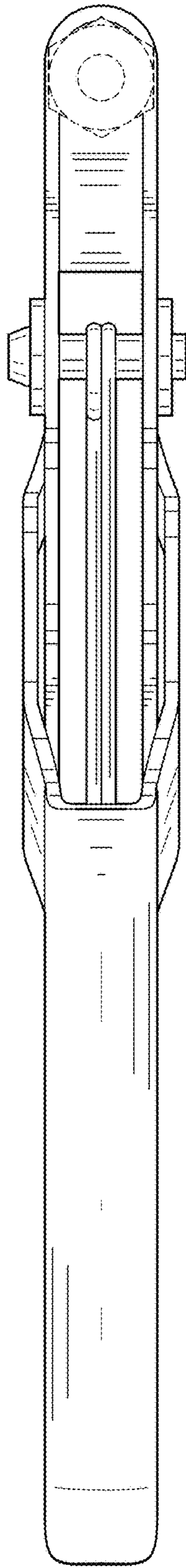


FIG. 5

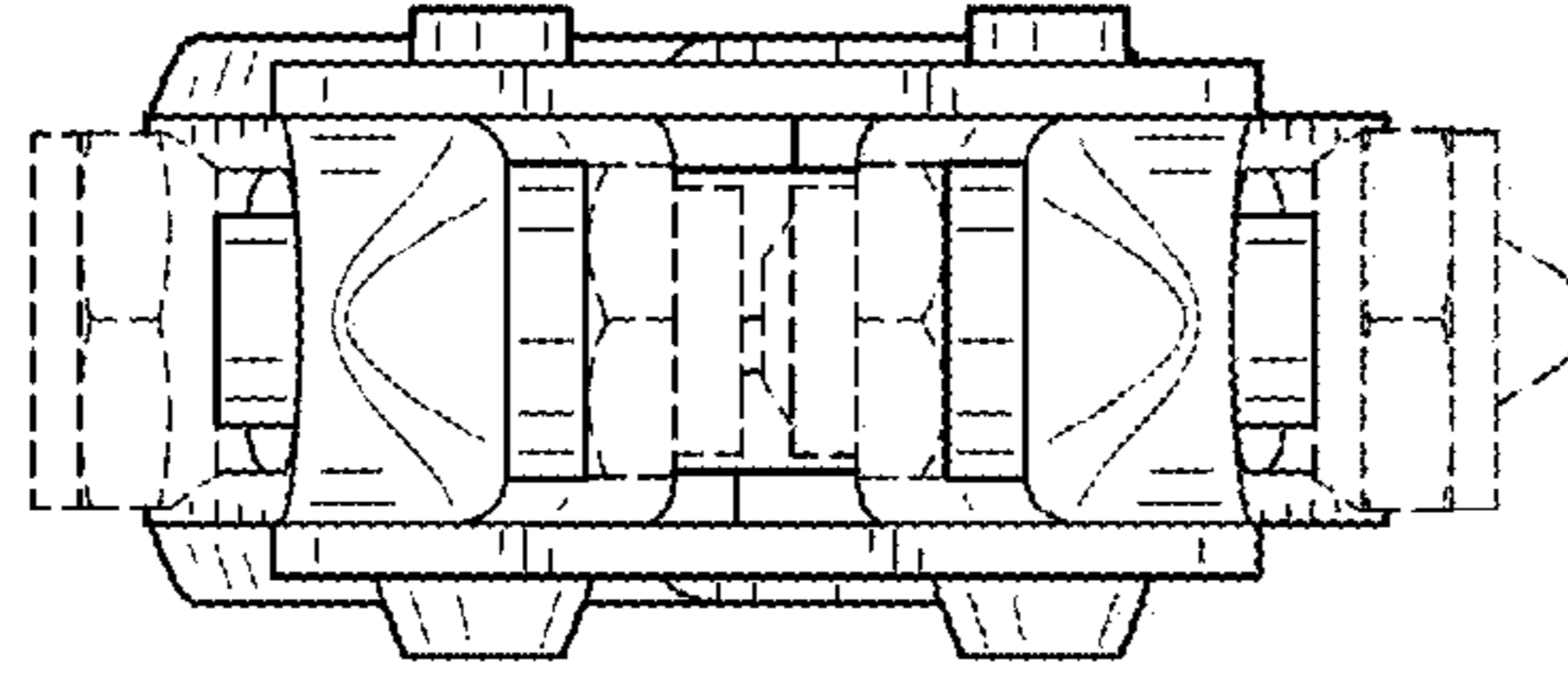


FIG. 6

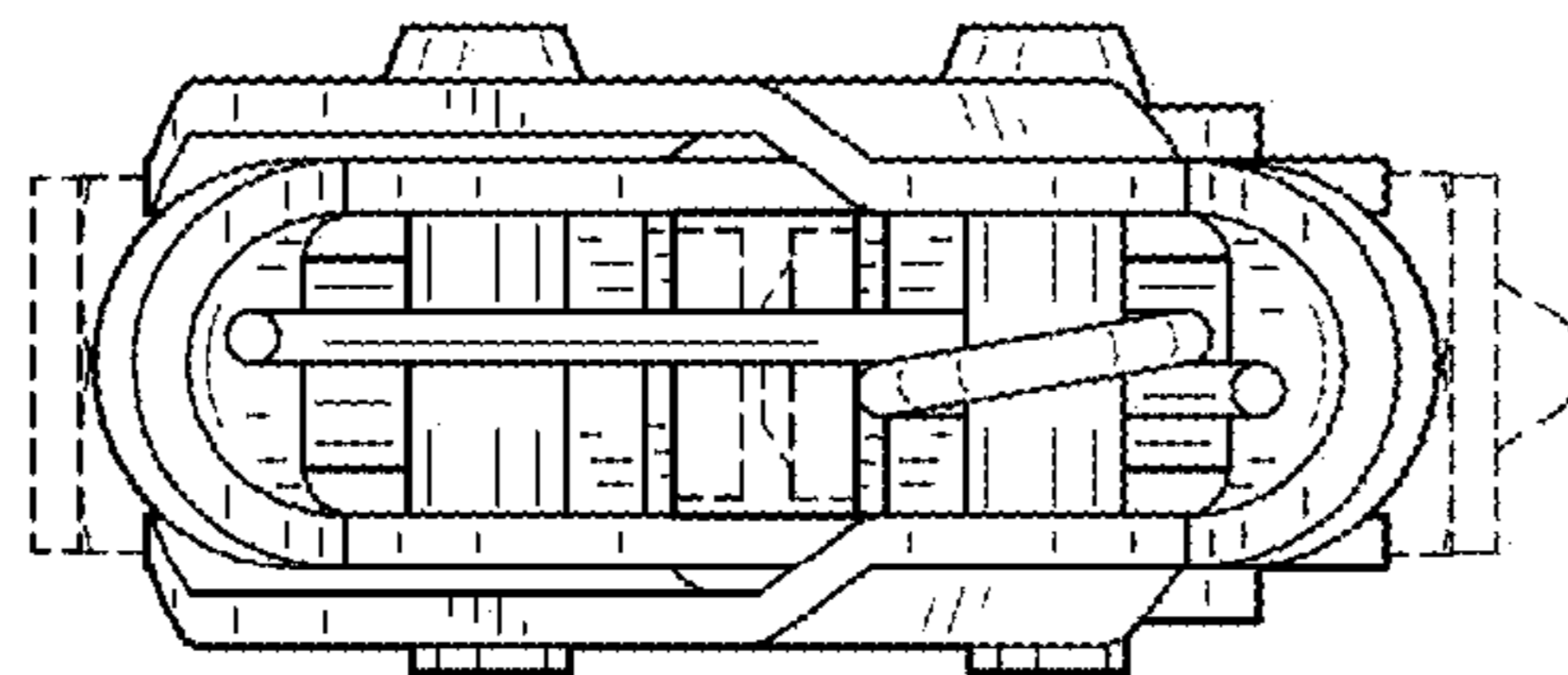


FIG. 7

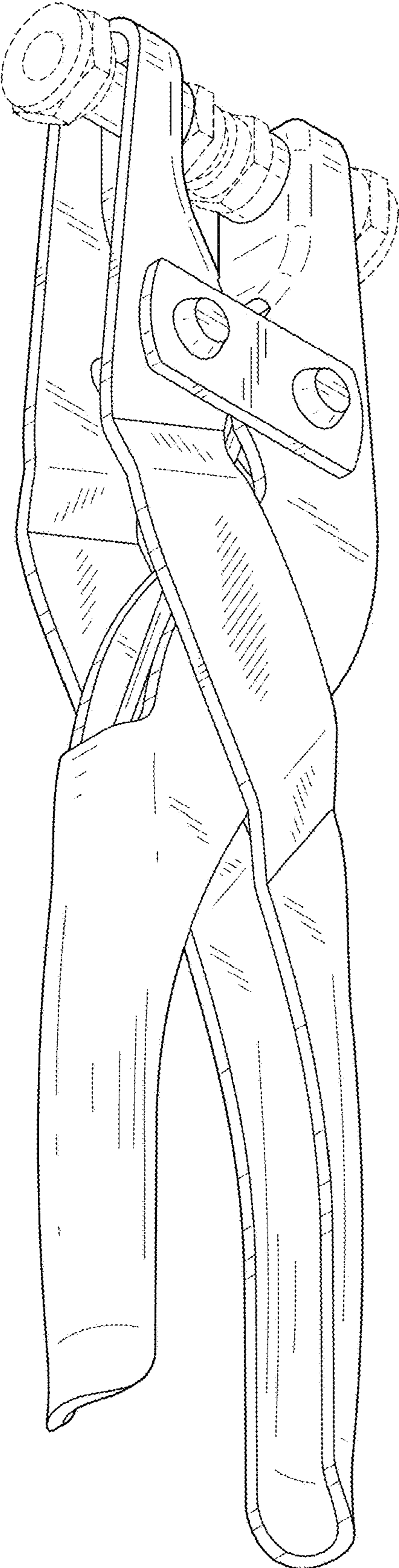


FIG. 8