



US00D899882S

(12) **United States Design Patent** (10) **Patent No.:** **US D899,882 S**
Folger et al. (45) **Date of Patent:** **** Oct. 27, 2020**

(54) **SET-SCREW HOLDER**

(71) Applicant: **Warsaw Orthopedic, Inc.**, Warsaw, IN (US)

(72) Inventors: **Leigh Anna Folger**, Memphis, TN (US); **David Mire**, Collierville, TN (US); **Caleb D. Smith**, Collierville, TN (US); **Christine Carmer**, Memphis, TN (US)

(73) Assignee: **Warsaw Orthopedic, Inc.**, Warsaw, IN (US)

(**) Term: **15 Years**

(21) Appl. No.: **29/674,125**

(22) Filed: **Dec. 19, 2018**

(51) **LOC (12) Cl.** **08-05**

(52) **U.S. Cl.**
USPC **D8/71**

(58) **Field of Classification Search**
USPC D8/71, 315, 353; D24/171
CPC B25H 3/003; H02G 3/14
See application file for complete search history.

(56) **References Cited**

U.S. PATENT DOCUMENTS

D256,425 S *	8/1980	Hayes	206/378
4,623,336 A	11/1986	Pedicano et al.	
D294,548 S *	3/1988	Wallace	D6/558
4,923,059 A	5/1990	Evers et al.	
D316,214 S *	4/1991	O'Donnell	83/222
5,036,889 A	8/1991	Pherigo	
D329,365 S *	9/1992	Fortune	D8/30
D342,440 S *	12/1993	Forsberg	D8/373

D837,623 S *	1/2019	Powers	D8/71
D863,017 S *	10/2019	Mefferd	D8/71
2013/0161344 A1	6/2013	Park et al.	
2020/0070332 A1 *	3/2020	Billups, Jr.	G01C 9/32

OTHER PUBLICATIONS

A.L.P.S. Distal Tibia Plating System, posted at zimmerbionet.com, posting date not given, [online], [site visited Jun. 15, 2020]. Available from Internet, URL: <https://www.zimmerbiomet.com/medical-professionals/foot-and-ankle/product/alps-distal-tibia-plating-system.html> (Year: 2020).*

* cited by examiner

Primary Examiner — George D. Kirschbaum

Assistant Examiner — Maria J Edwards

(74) *Attorney, Agent, or Firm* — Sorell, Lenna & Schmidt, LLP

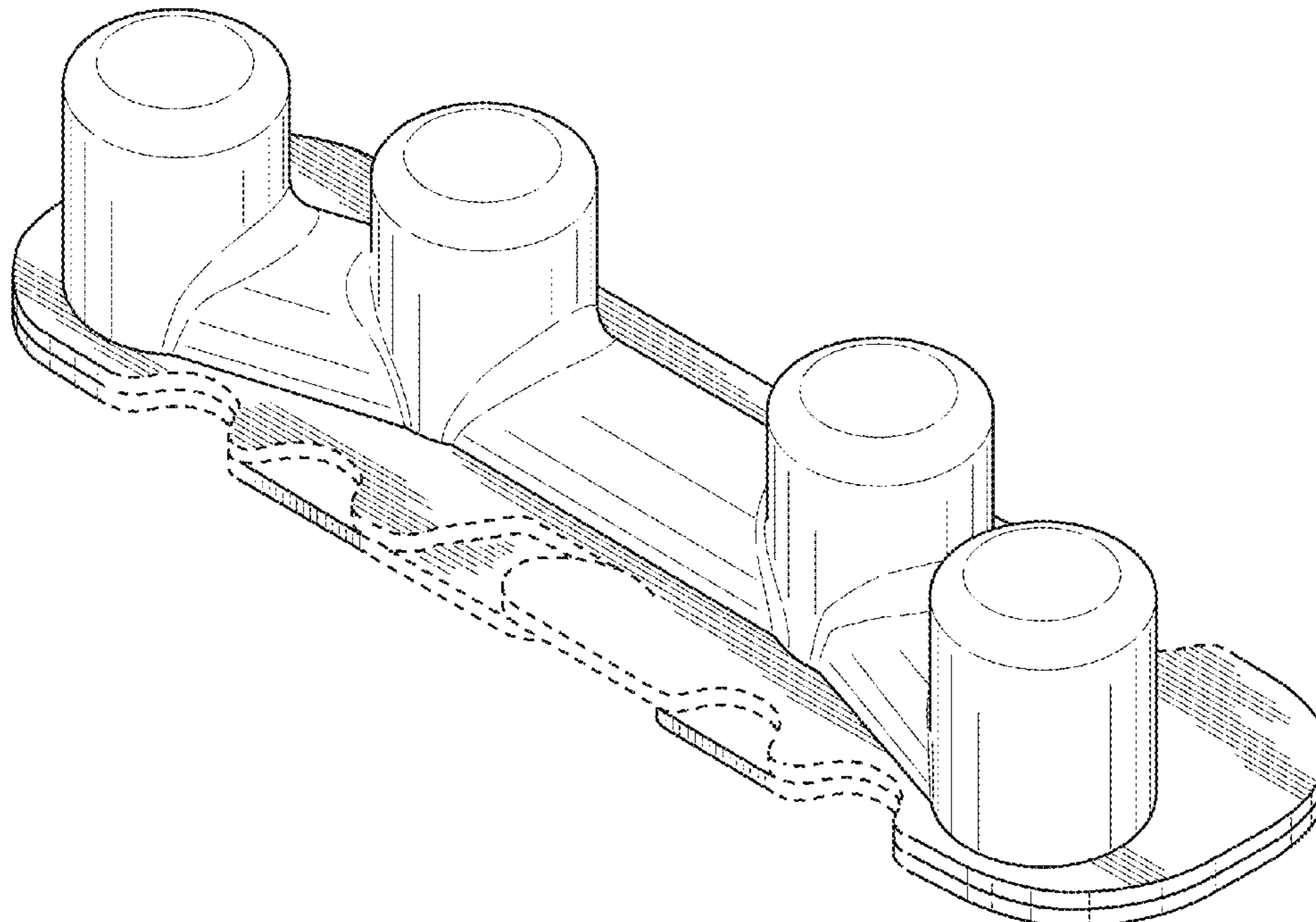
(57) **CLAIM**

The ornamental design for a set-screw holder, as shown and described.

DESCRIPTION

FIG. 1 is a perspective view of a set-screw holder; FIG. 2 is a bottom perspective view of the set-screw holder; FIG. 3 is a front view of the set-screw holder; FIG. 4 is a rear view of the set-screw holder; FIG. 5 is a top view of the set-screw holder; FIG. 6 is a bottom view of the set-screw holder; FIG. 7 is a left side view of the set-screw holder; and, FIG. 8 is a right side view of the set-screw holder. The broken lines in the figures depict portions of the set-screw holder and form no part of the claimed design.

1 Claim, 7 Drawing Sheets



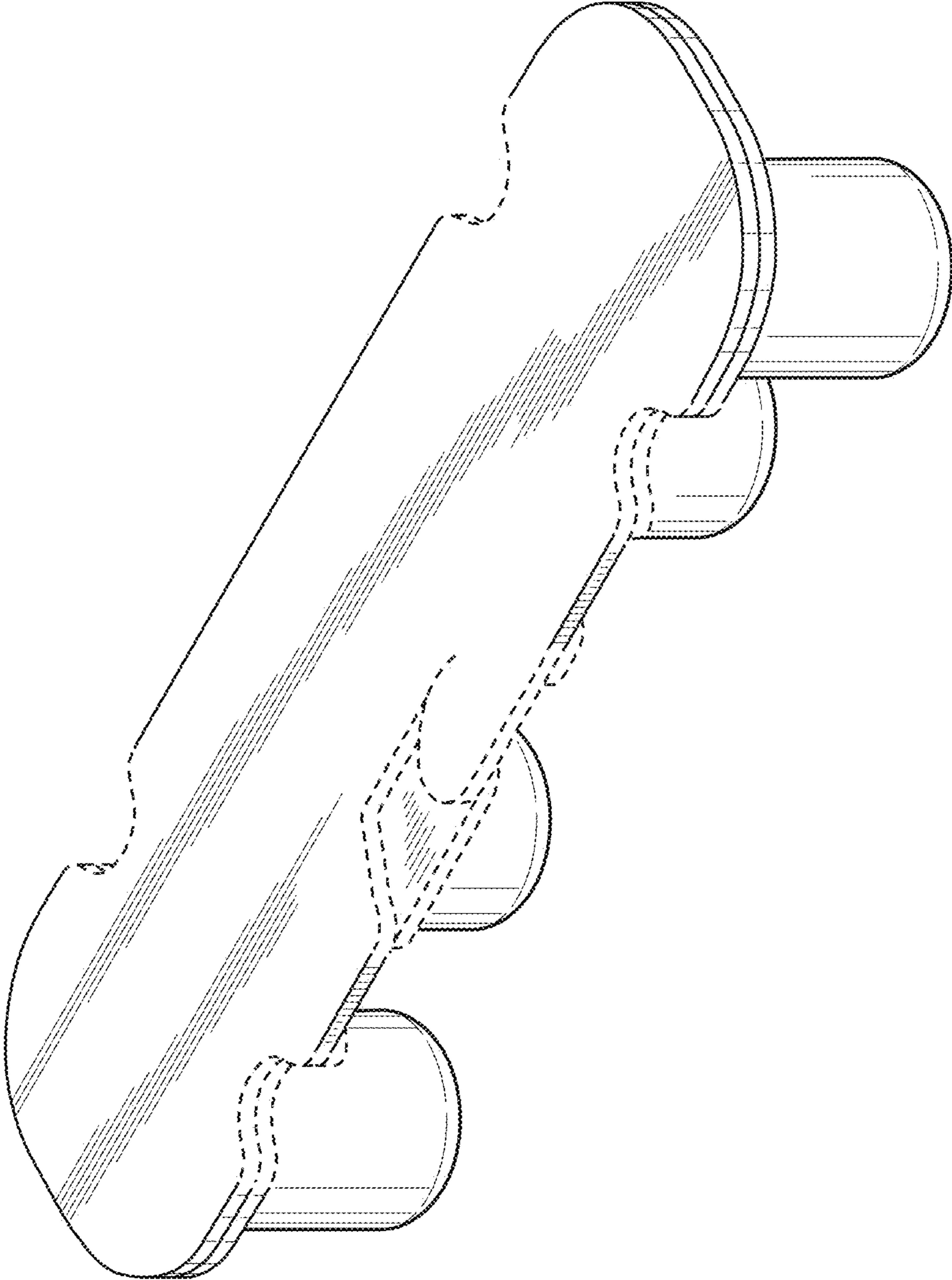


FIG. 1

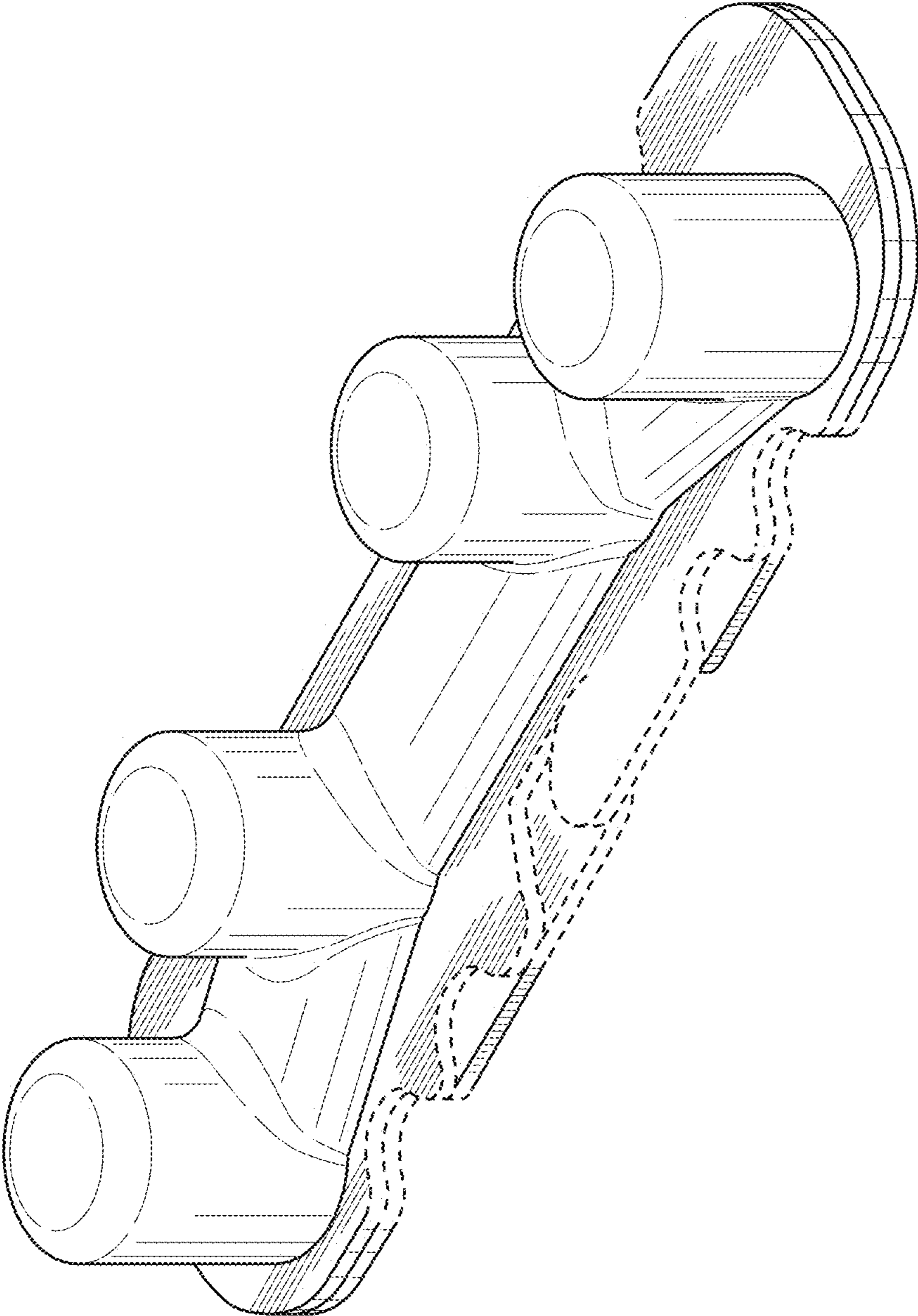


FIG. 2

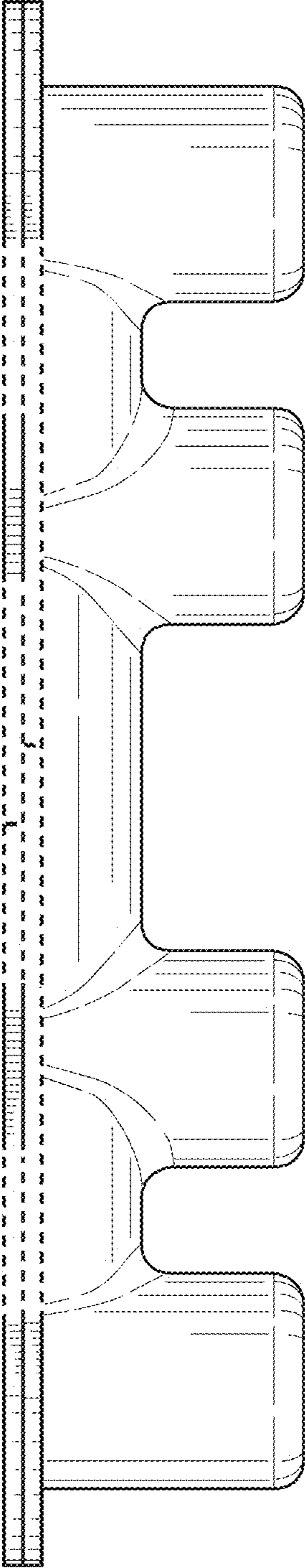


FIG. 3

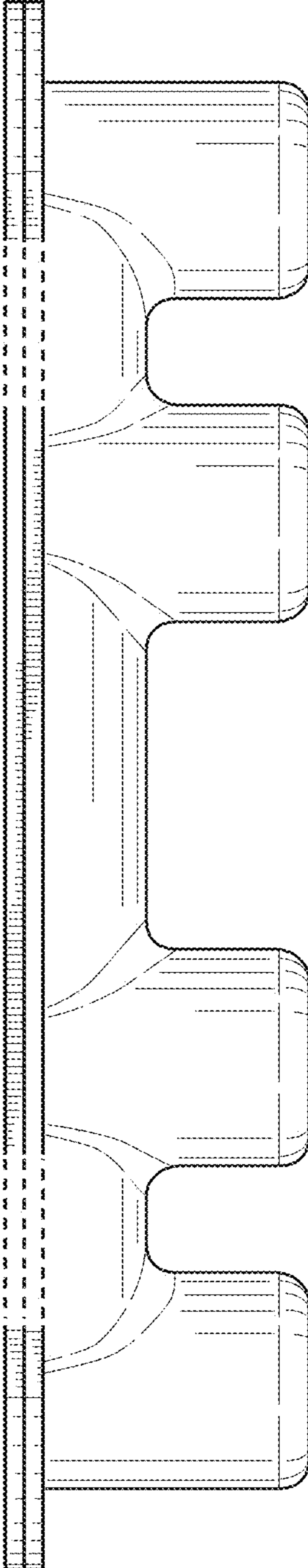


FIG. 4

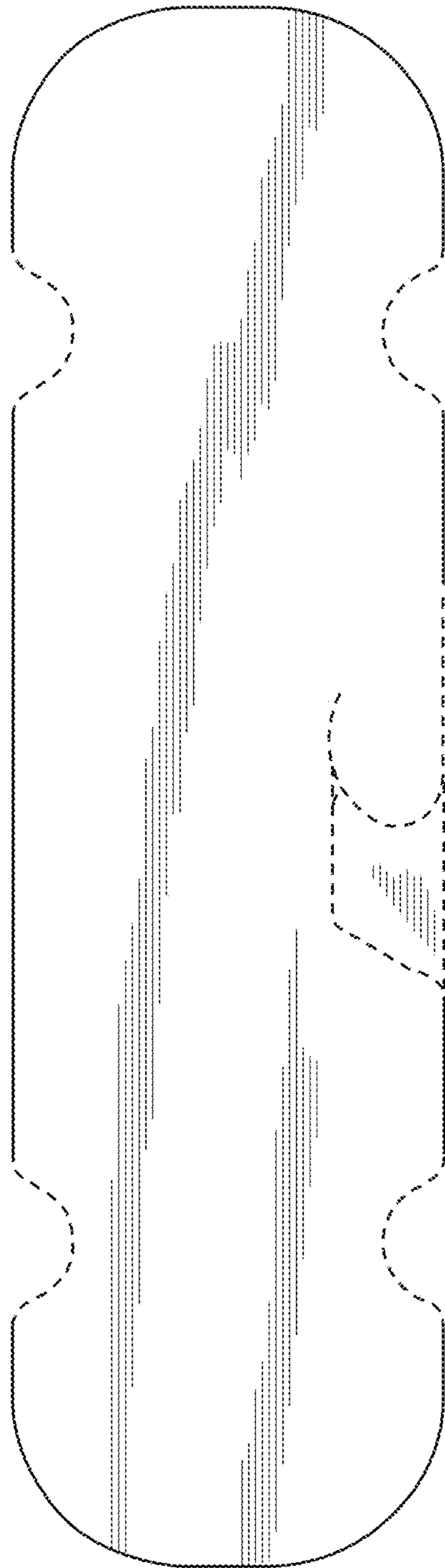


FIG. 5

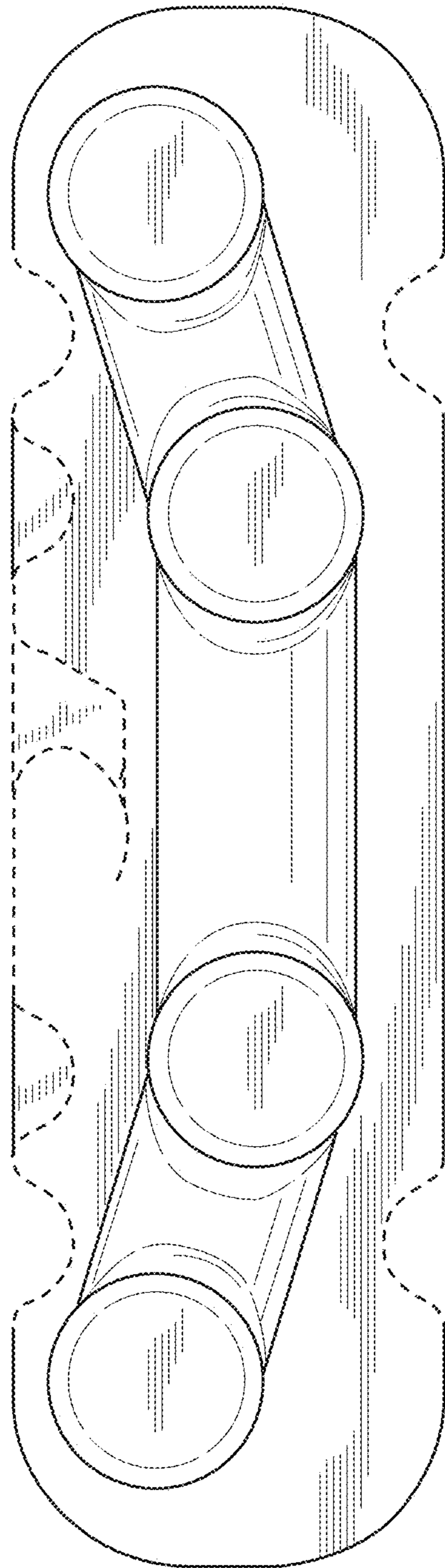


FIG. 6

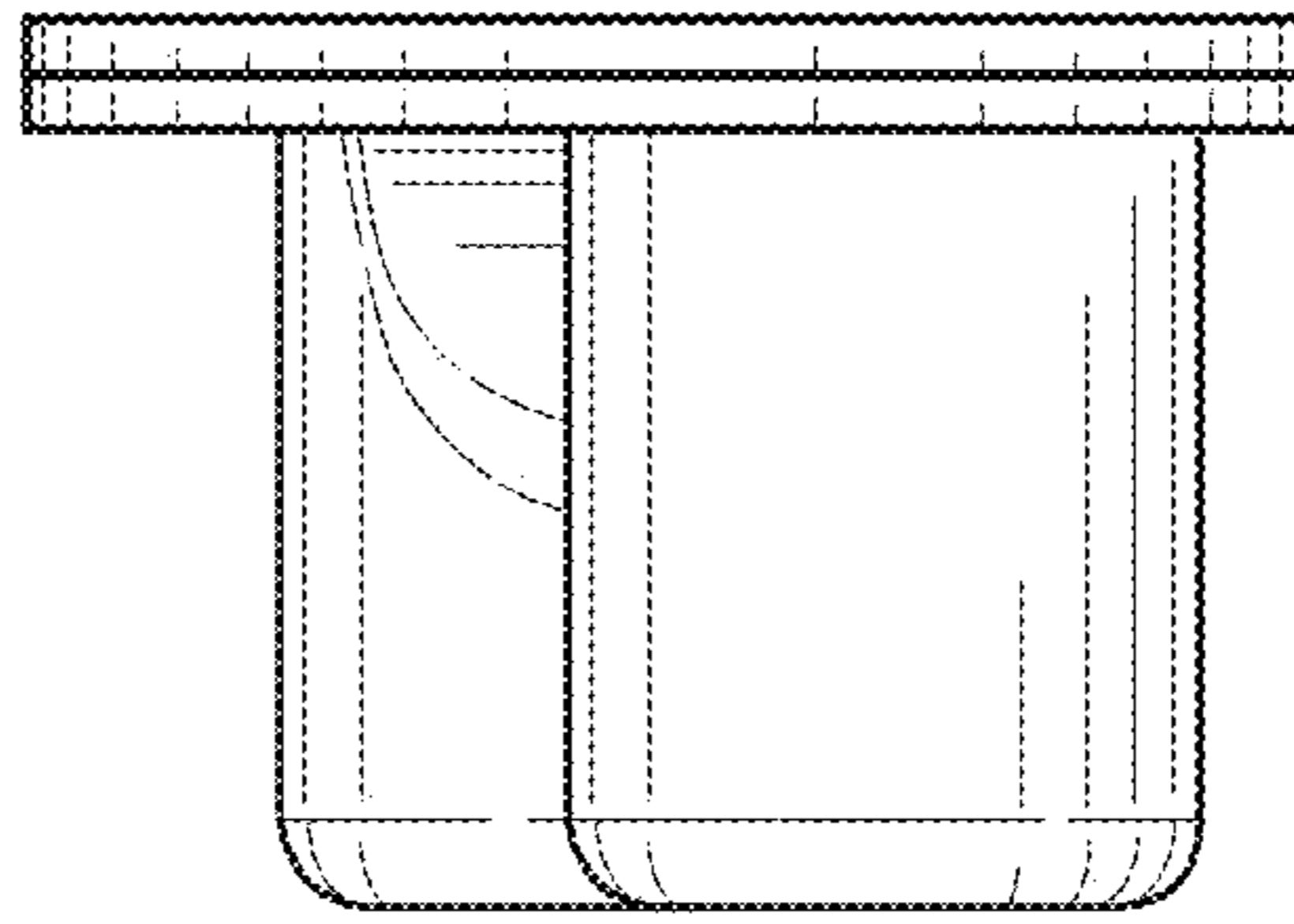


FIG. 7

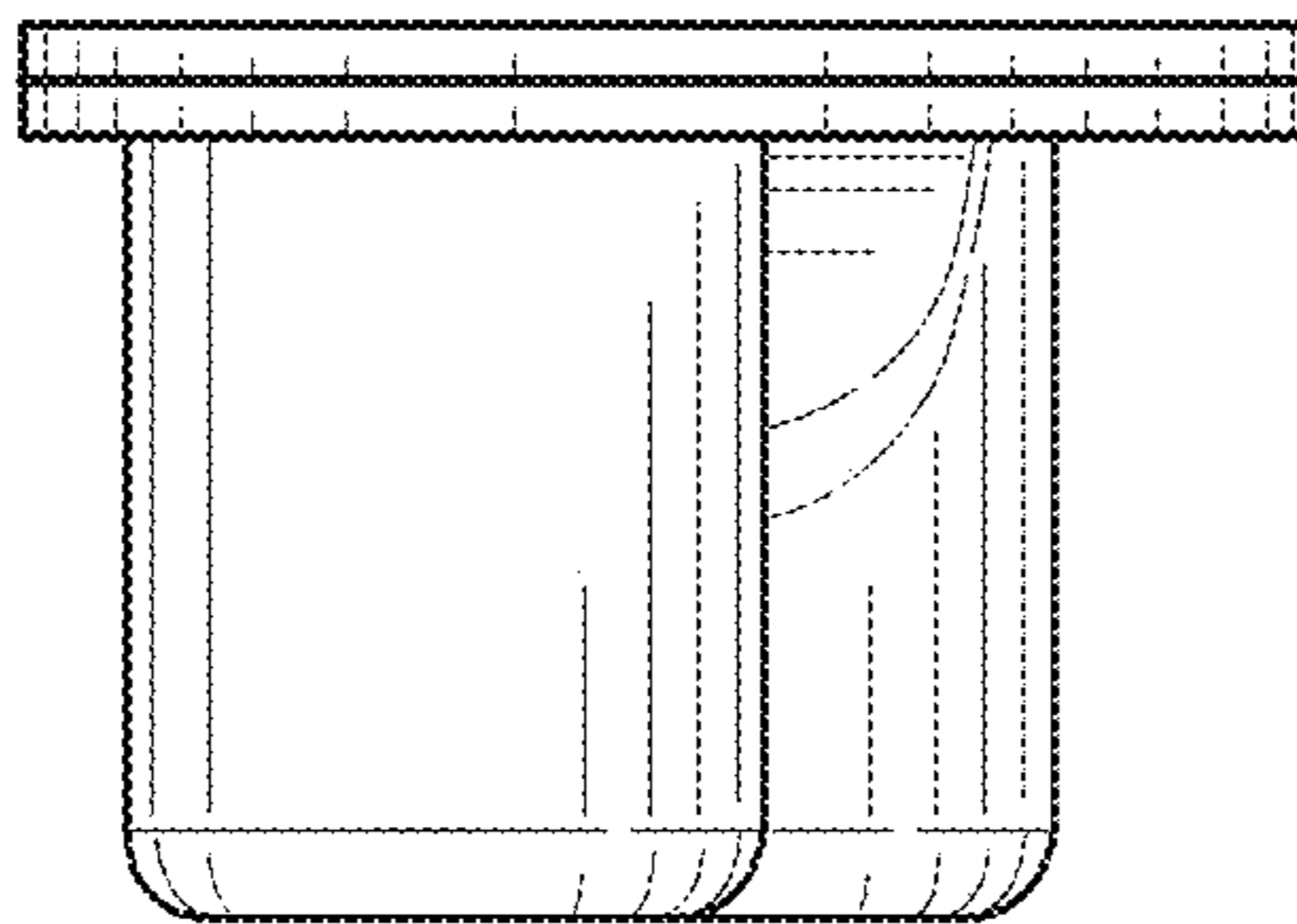


FIG. 8