



US00D899881S

(12) **United States Design Patent** (10) **Patent No.:** **US D899,881 S**
Takahashi et al. (45) **Date of Patent:** **** Oct. 27, 2020**

(54) **PORTABLE ELECTRIC CHAINSAW**

D790,303 S * 6/2017 Tinius D8/65
D802,387 S * 11/2017 Tinius D8/8
D805,869 S * 12/2017 Baxter D8/65

(71) Applicant: **MAKITA CORPORATION**, Anjo-shi,
Aichi (JP)

(Continued)

(72) Inventors: **Koji Takahashi**, Anjo (JP); **Kento Nakamura**, Anjo (JP); **Hideki Kachi**, Anjo (JP)

FOREIGN PATENT DOCUMENTS

EM 004720183-0004 2/2018

(73) Assignee: **MAKITA CORPORATION**, Anjo-shi (JP)

Primary Examiner — Austin Murphy

(74) *Attorney, Agent, or Firm* — Global IP Counselors, LLP

(**) Term: **15 Years**

(57) **CLAIM**

(21) Appl. No.: **29/686,950**

The ornamental design for a portable electric chainsaw, as shown and described.

(22) Filed: **Apr. 9, 2019**

DESCRIPTION

(30) **Foreign Application Priority Data**

Oct. 11, 2018 (JP) 2018-022293

(51) **LOC (12) Cl.** **08-03**

(52) **U.S. Cl.**
USPC **D8/65**

(58) **Field of Classification Search**

USPC ... D8/65, 7, 8, 9, 66, 64, 61, 98, 14, 51, 99,
D8/107, 70, 68, 60, 85, 21, 25, 24, 29,
D8/36, 40; 30/386, 382, 123, 381, 165,
30/123.3, 123.4, 319, 292, 307, 162, 306,
30/263, 92, 371; 125/21; D21/532;
83/832, 833, 834; 74/54, 49

CPC B27B 17/02
See application file for complete search history.

FIG. 1 is a front perspective view of a portable electric chainsaw in accordance with our new design;
FIG. 2 is a rear perspective view of the portable electric chainsaw in accordance with our new design;
FIG. 3 is a front elevational view of the portable electric chainsaw in accordance with our new design;
FIG. 4 is a rear elevational view of the portable electric chainsaw in accordance with our new design;
FIG. 5 is a top plan view of the portable electric chainsaw in accordance with our new design;
FIG. 6 is a bottom plan view of the portable electric chainsaw in accordance with our new design;
FIG. 7 is a right side elevational view of the portable electric chainsaw in accordance with our new design;
FIG. 8 is a left side elevational view of the portable electric chainsaw in accordance with our new design; and,
FIG. 9 is a front perspective view of the portable electric chainsaw in accordance with our new design showing when a blade and rechargeable batteries are attached to the portable electric chainsaw.

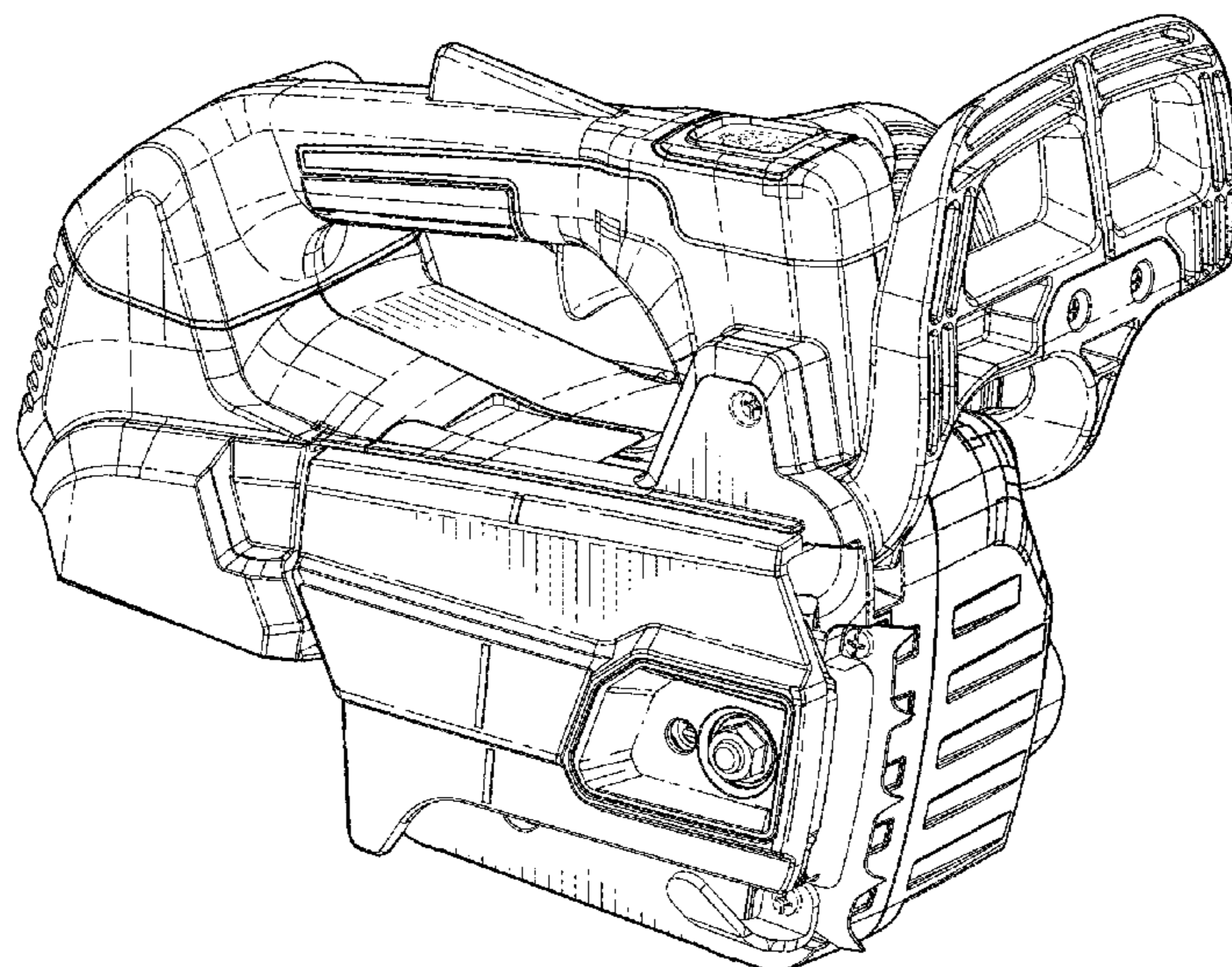
The broken line showing of environment structures in the drawings forms no part of the claimed design.

(56) **References Cited**

U.S. PATENT DOCUMENTS

D731,868 S * 6/2015 Tinius D8/65
D737,646 S * 9/2015 Tinius D8/65
D738,175 S * 9/2015 Tinius D8/65
D741,678 S * 10/2015 Tinius D8/65
D744,308 S * 12/2015 Tinius D8/65
D763,051 S * 8/2016 Tinius D8/65

1 Claim, 8 Drawing Sheets



(56)

References Cited

U.S. PATENT DOCUMENTS

D826,021 S * 8/2018 Tinius D8/65
10,328,600 B2 * 6/2019 Kachi A01G 23/091

* cited by examiner

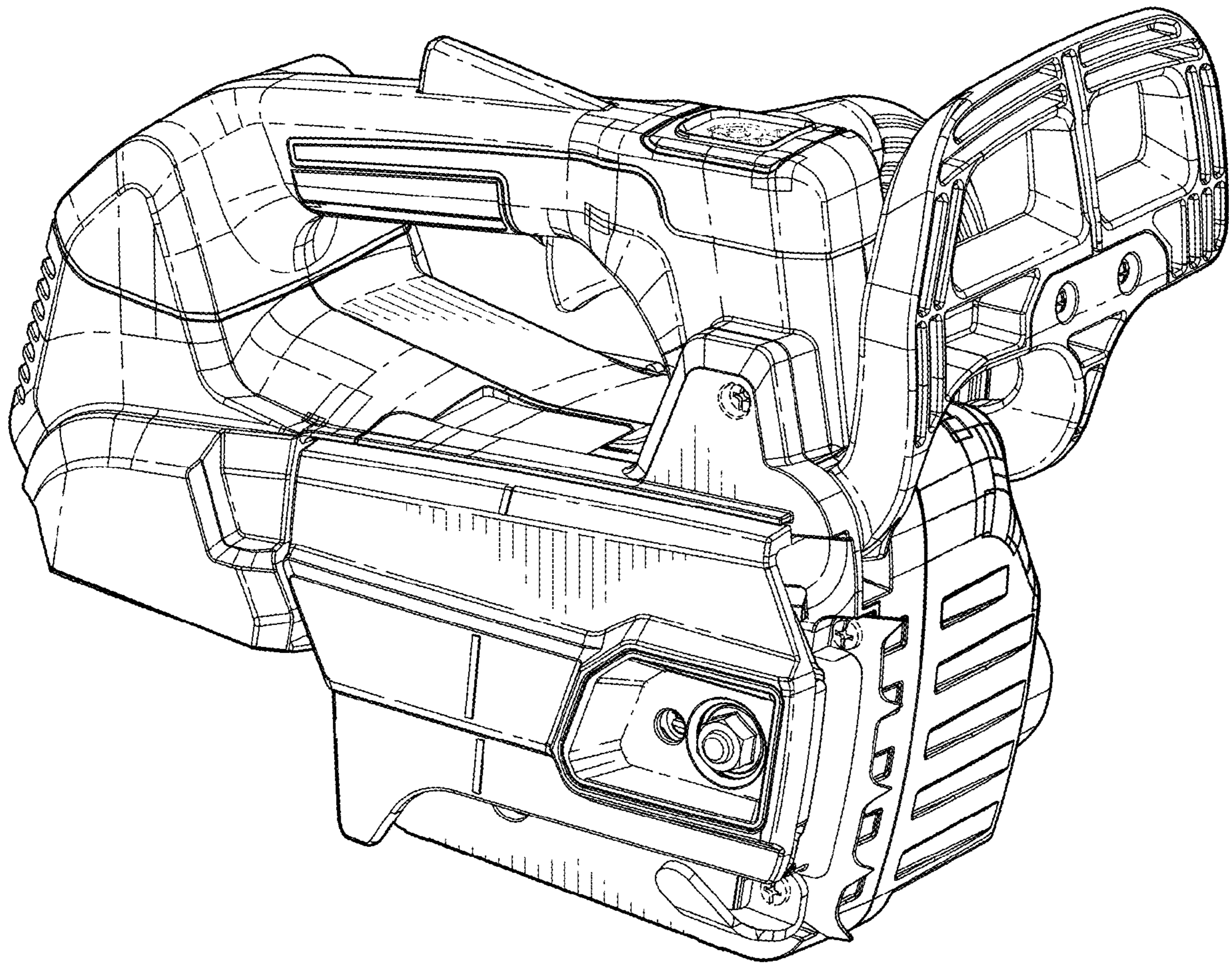


FIG. 1

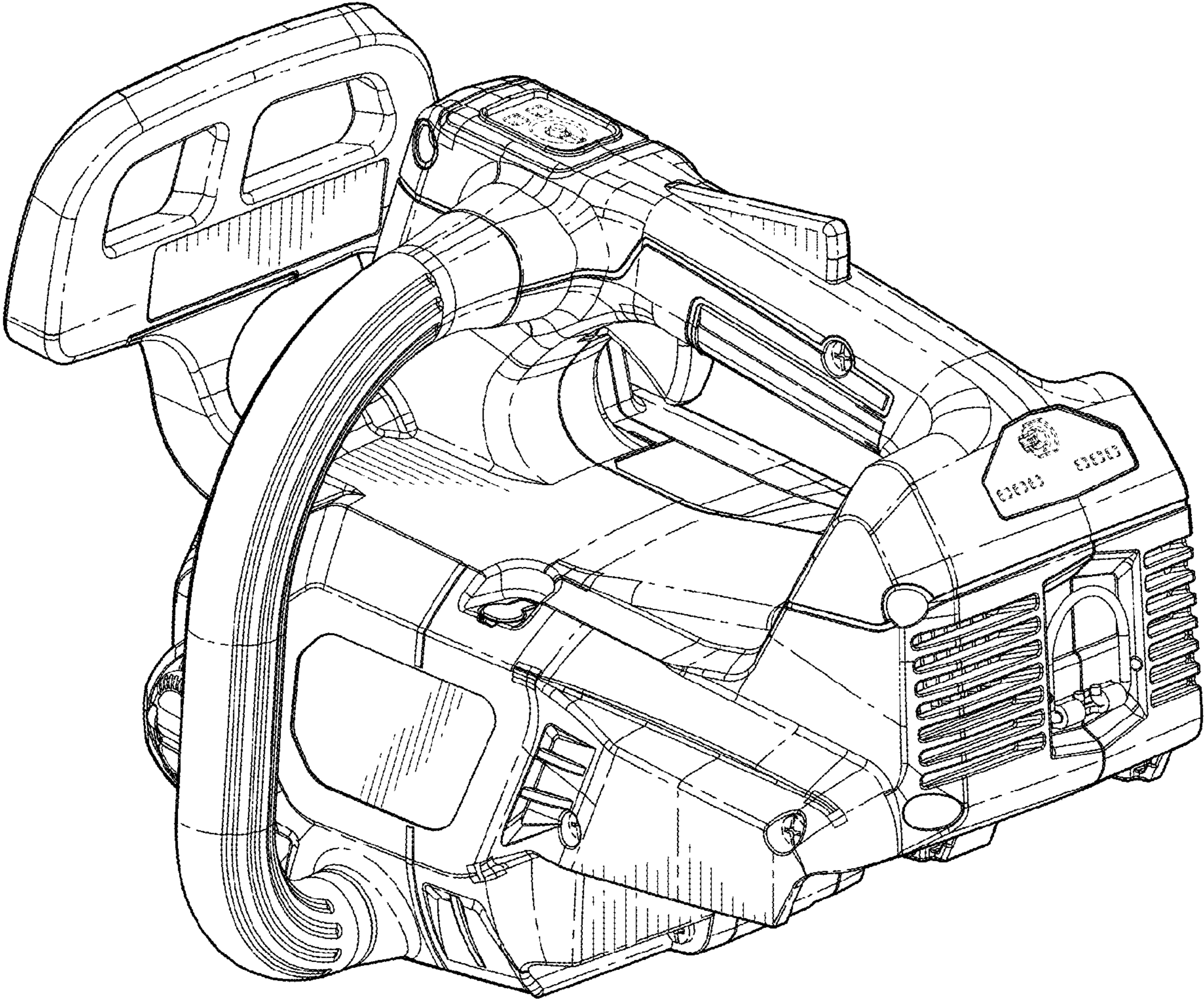


FIG. 2

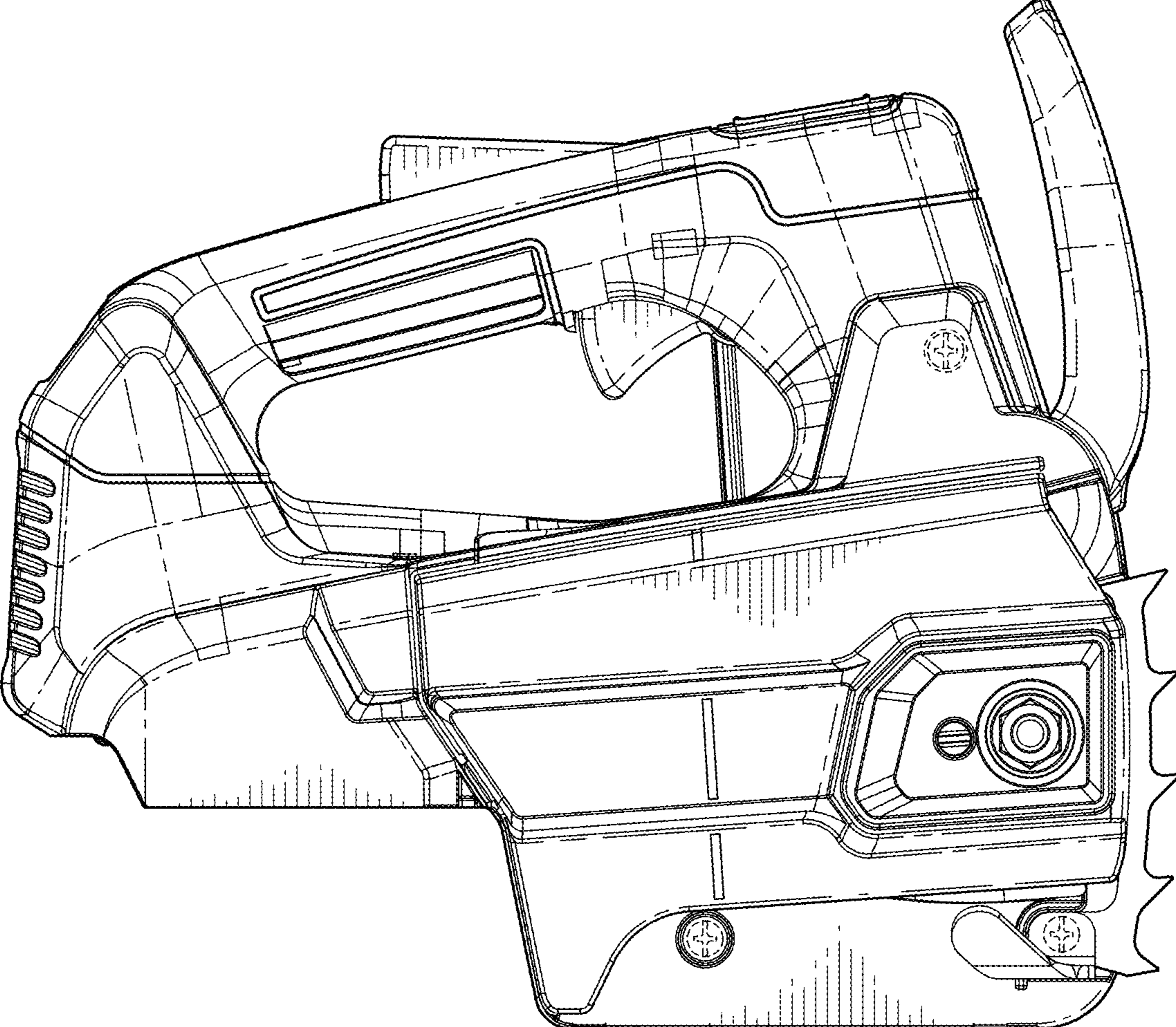


FIG. 3

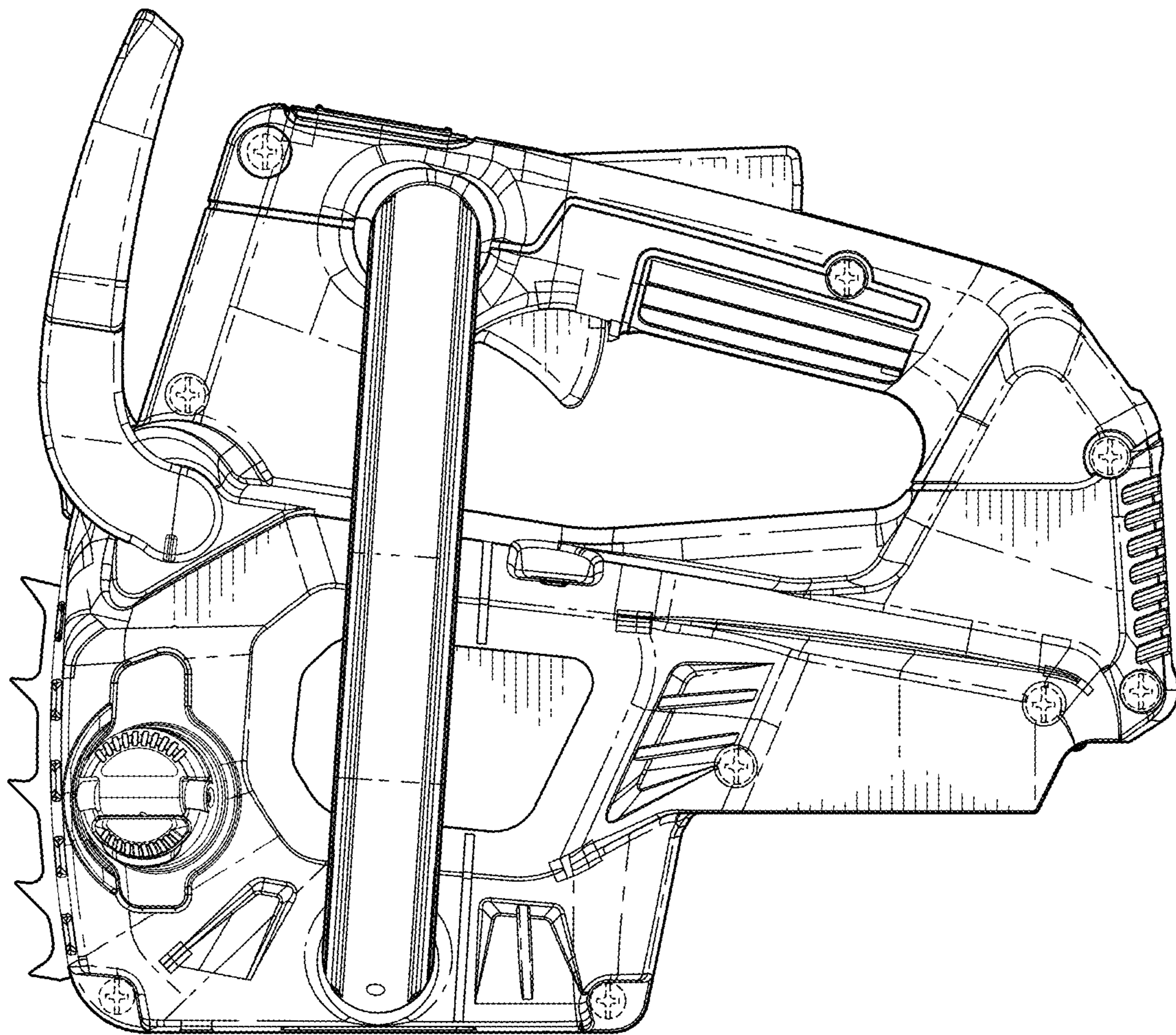


FIG. 4

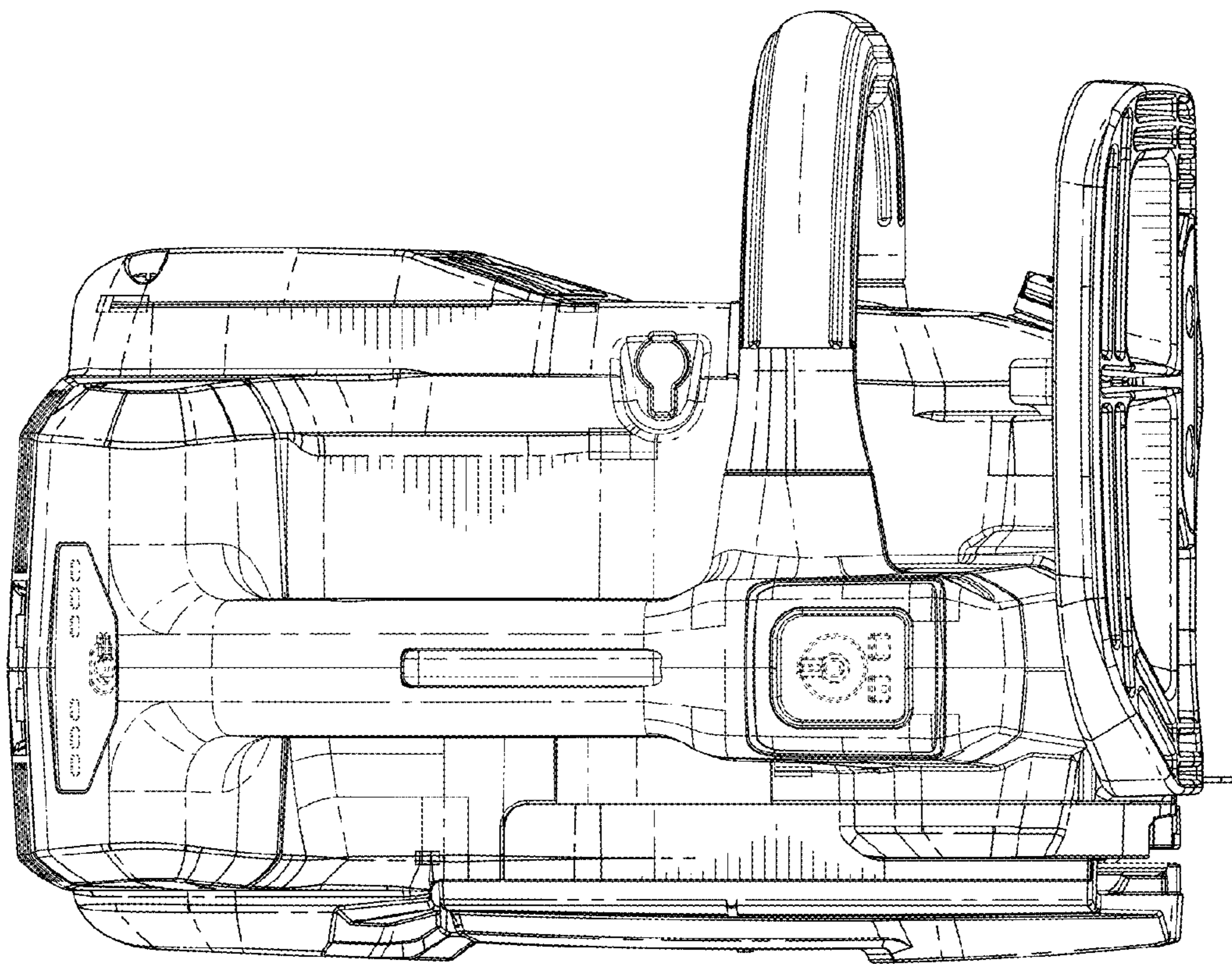


FIG. 5

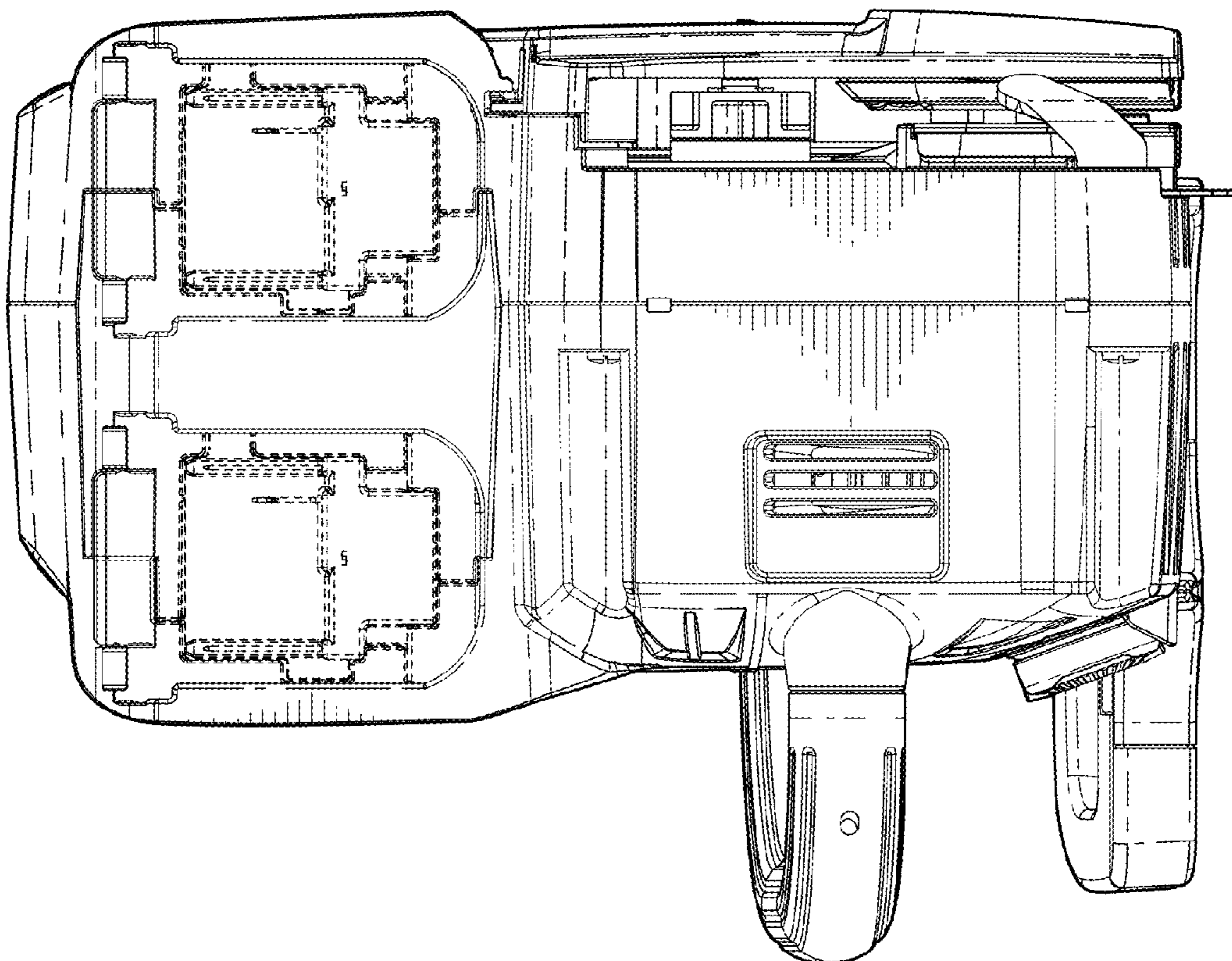


FIG. 6

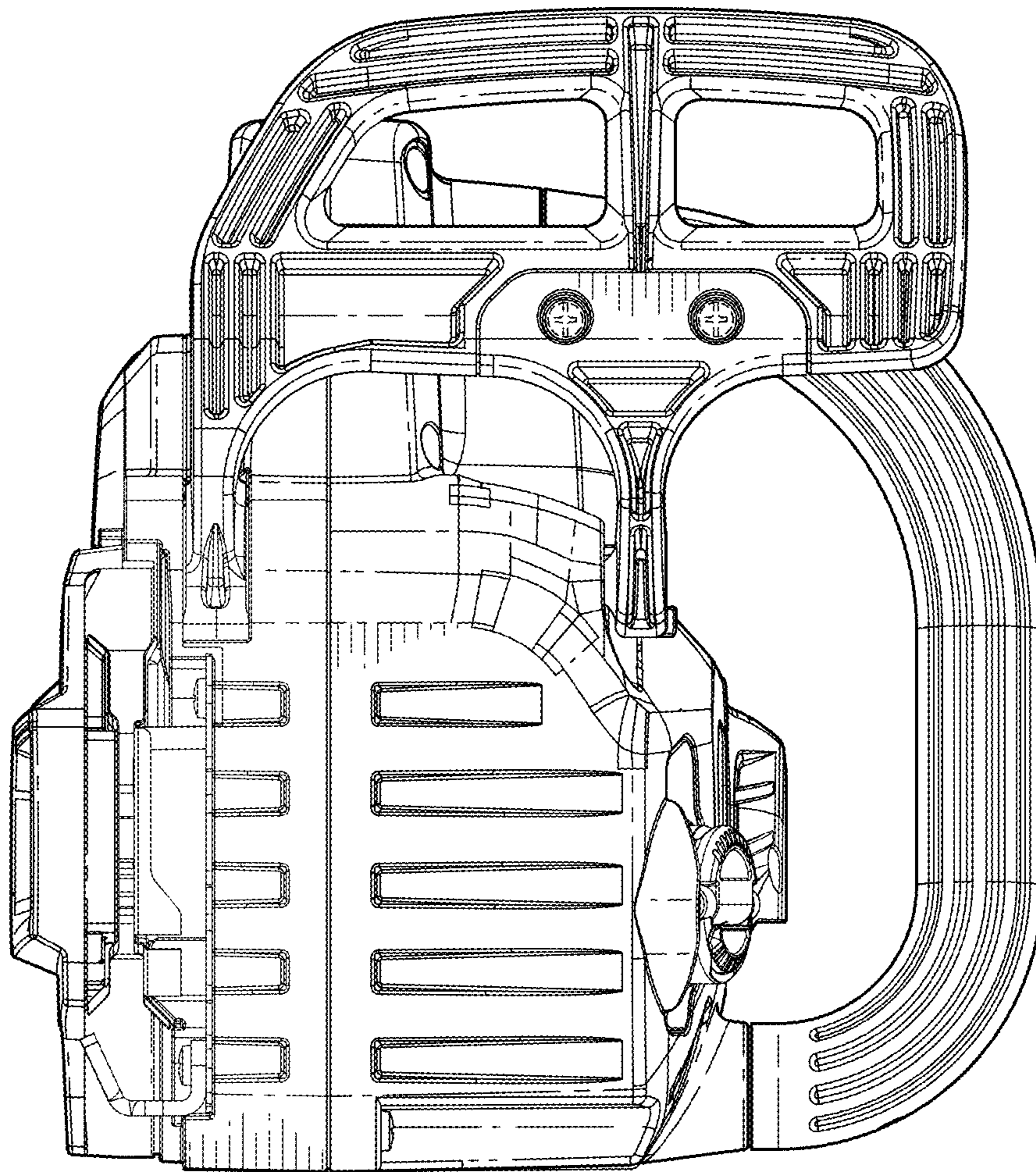


FIG. 7

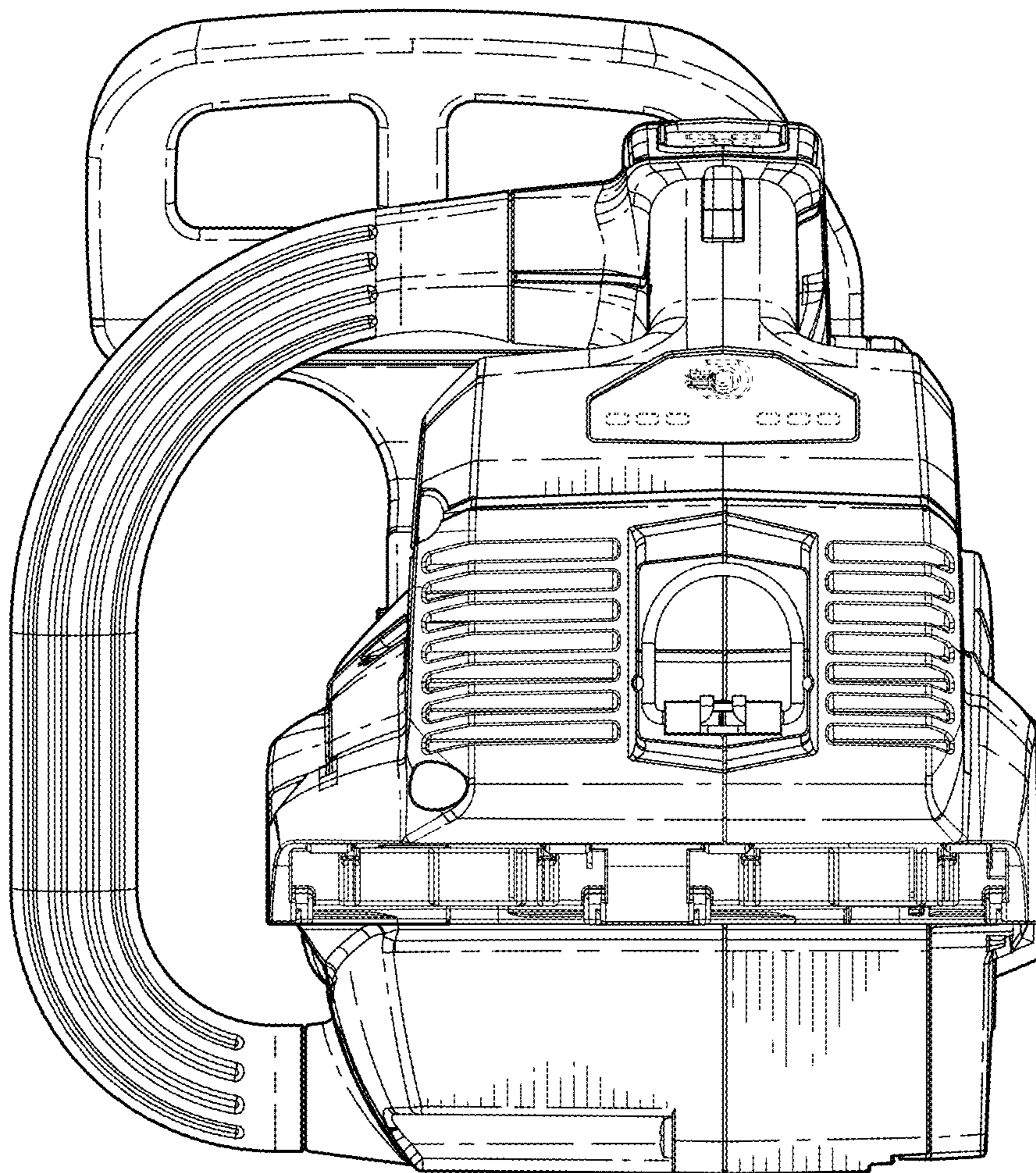


FIG. 8

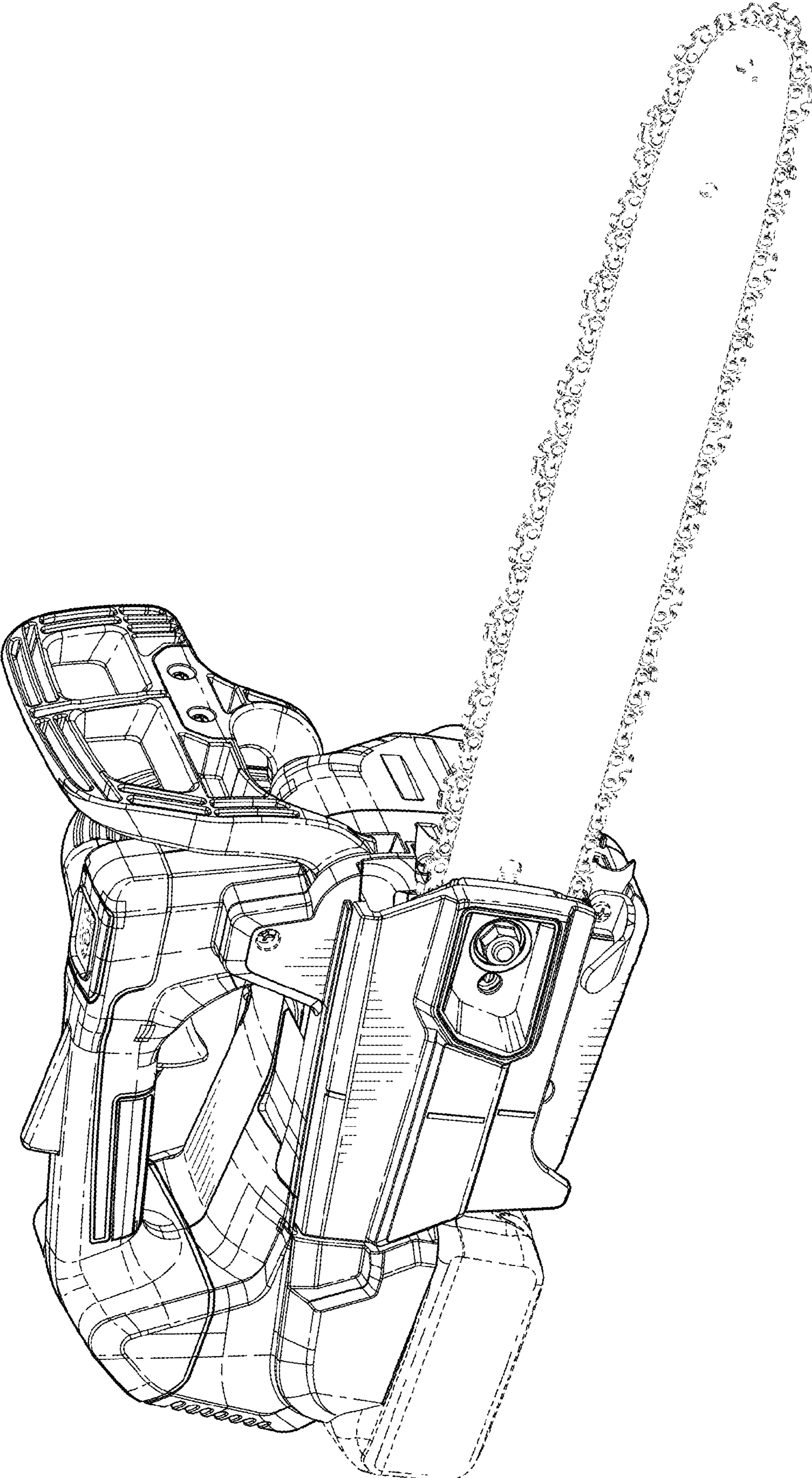


FIG. 9