



US00D899879S

(12) **United States Design Patent**
Hung

(10) **Patent No.:** **US D899,879 S**

(45) **Date of Patent:** **** Oct. 27, 2020**

(54) **CAULKING GUN**

(71) Applicant: **SIANG SYUAN FU ENTERPRISE CO., LTD.**, Changhua County (TW)

(72) Inventor: **Hung-Chih Hung**, Changhua County (TW)

(73) Assignee: **SIANG SYUAN FU ENTERPRISE CO., LTD.**, Changhua County (TW)

(**) Term: **15 Years**

(21) Appl. No.: **29/690,250**

(22) Filed: **May 7, 2019**

(51) **LOC (12) Cl.** **08-05**

(52) **U.S. Cl.**
USPC **D8/14.1**

(58) **Field of Classification Search**
USPC D8/14, 14.4, 51, 68
CPC B05C 1/00; B05C 17/00; B05C 17/01;
B05C 17/0016; B05C 17/0123; B05C
21/00

See application file for complete search history.

(56) **References Cited**

U.S. PATENT DOCUMENTS

D369,285 S *	4/1996	Leech	D8/14.1
D413,235 S *	8/1999	Hwang	D8/14.1
6,691,899 B2 *	2/2004	Sung	B05C 17/01 222/391
D511,077 S *	11/2005	Huang	D8/14.1
D511,445 S *	11/2005	Childs	D8/14.1

7,073,691 B2 * 7/2006 Rumrill B05C 17/01
222/327

D640,517 S * 6/2011 Rumrill D8/14.1
D762,431 S * 8/2016 Lee B05C 17/0116
D8/14.1

D788,553 S * 6/2017 Hung D8/14.1
D793,826 S * 8/2017 Sichien D8/14.1

2017/0291190 A1 * 10/2017 Hung B05C 17/00596
2018/0215524 A1 * 8/2018 Springhorn B05C 17/01

* cited by examiner

Primary Examiner — Philip S Hyder

(74) *Attorney, Agent, or Firm* — Muncy, Geissler, Olds & Lowe, PC

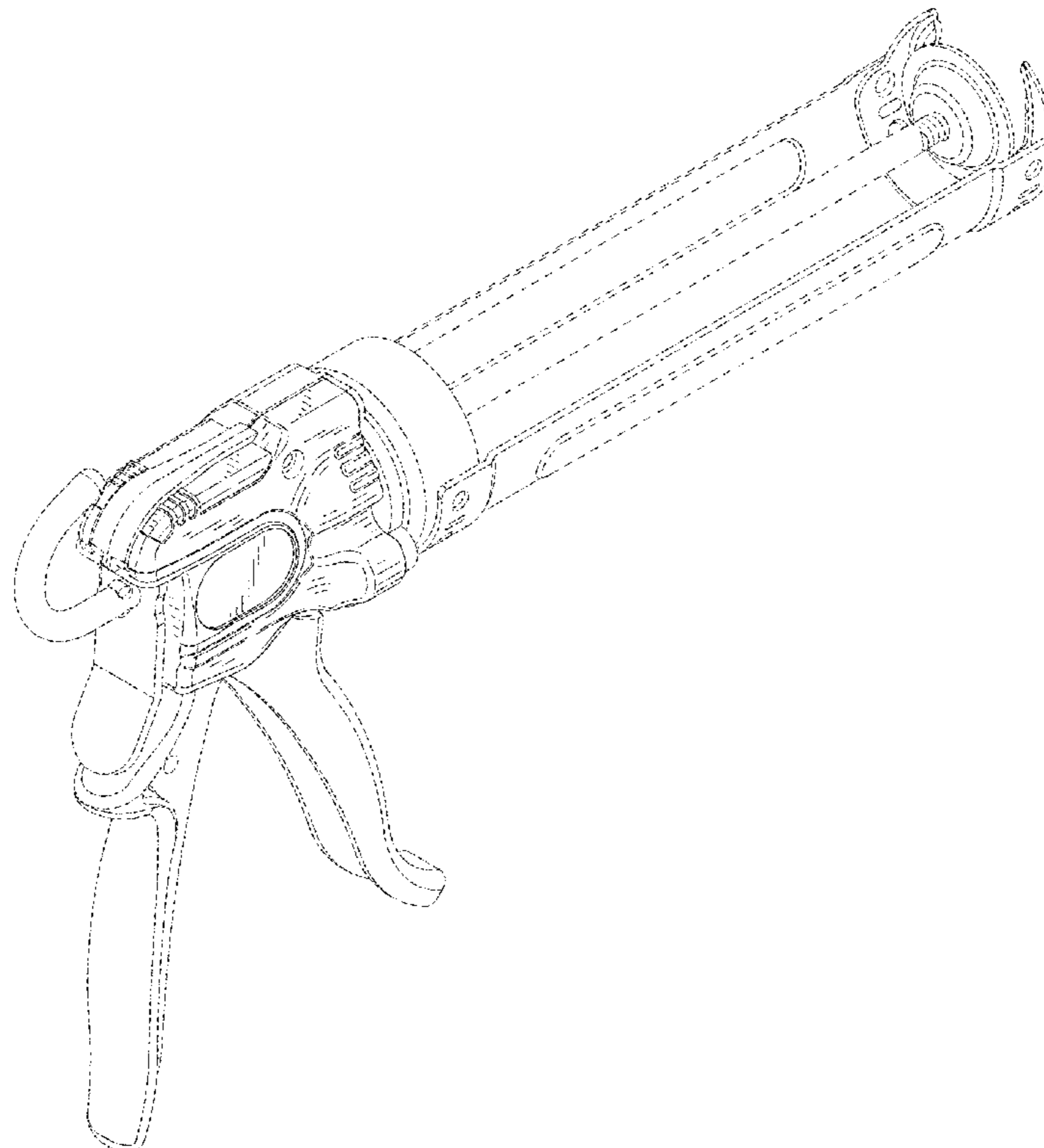
(57) **CLAIM**

I claim the ornamental design for a caulking gun, as shown and described.

DESCRIPTION

FIG. 1 is a top, front, right perspective view of a caulking gun showing my new design;
FIG. 2 is a front elevational view thereof;
FIG. 3 is a rear elevational view thereof;
FIG. 4 is a left side view thereof;
FIG. 5 is a right side view thereof;
FIG. 6 is a top plan view thereof;
FIG. 7 is a bottom plan view thereof; and,
FIG. 8 is a bottom, front, right perspective view.
The broken lines in the drawings illustrate portions of the caulking gun which form no part of the claimed design.

1 Claim, 7 Drawing Sheets



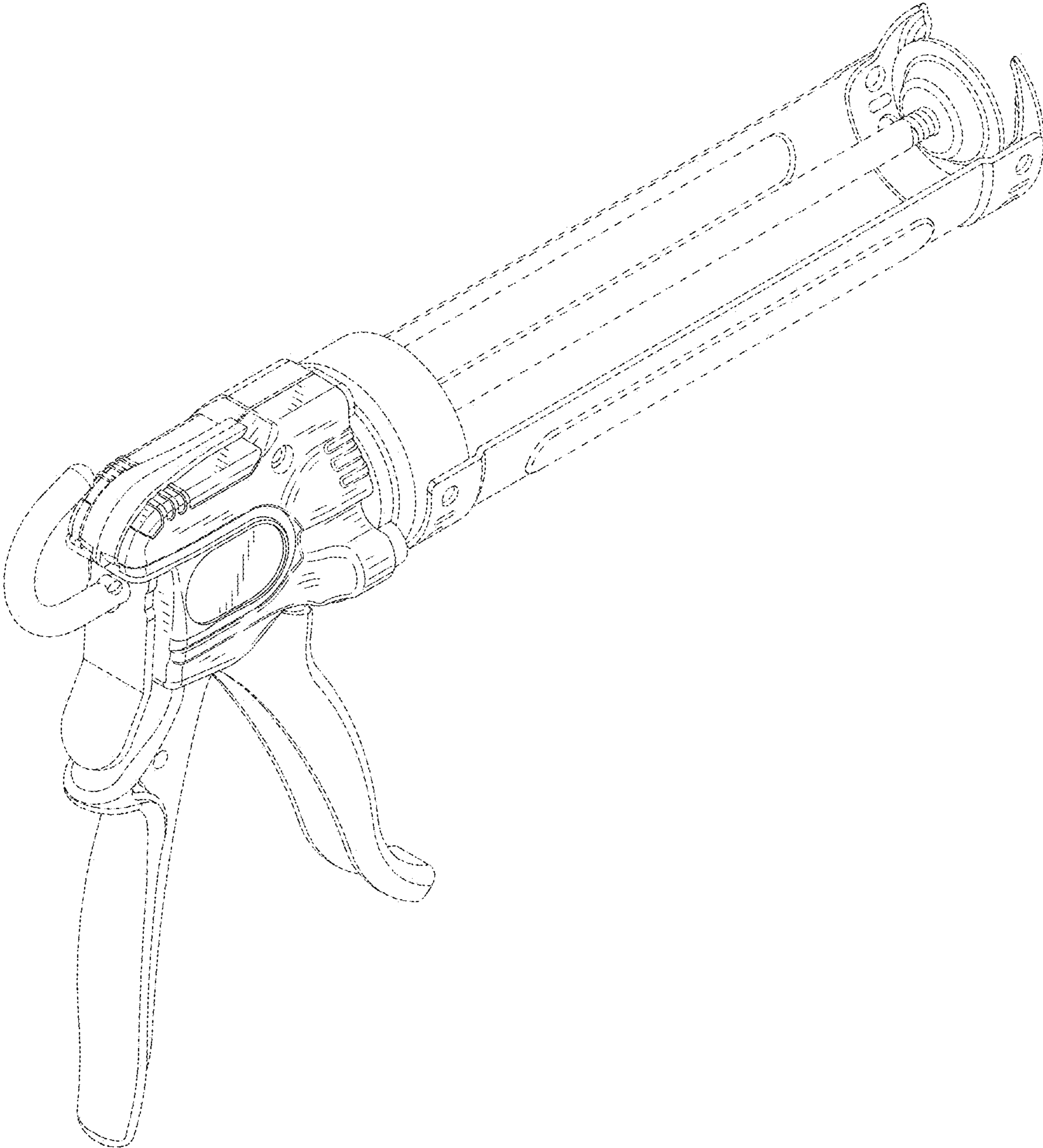


FIG. 1

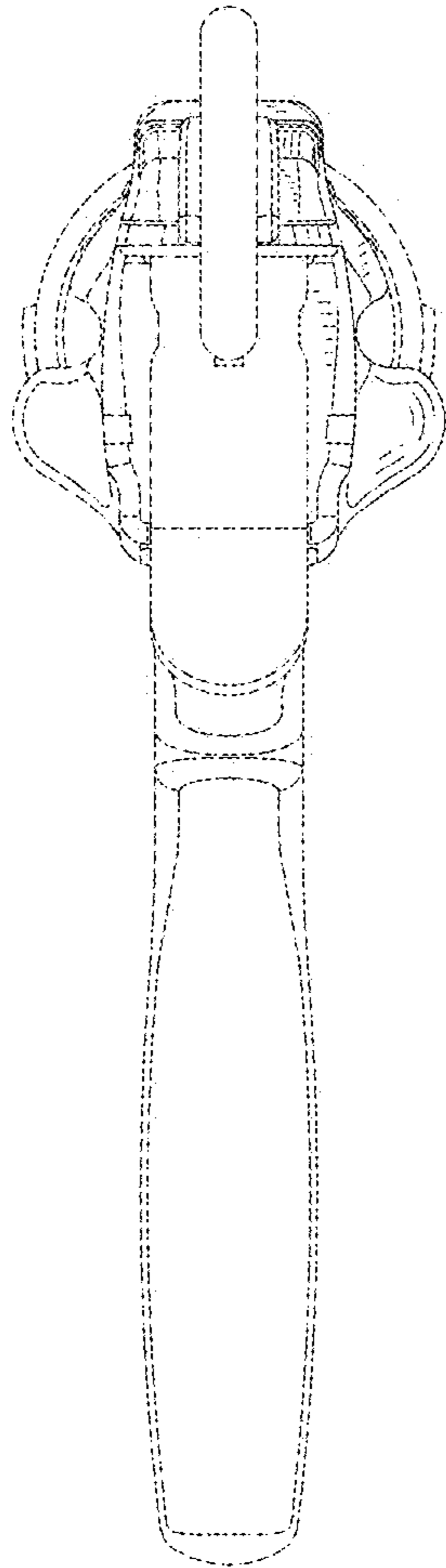


FIG. 2

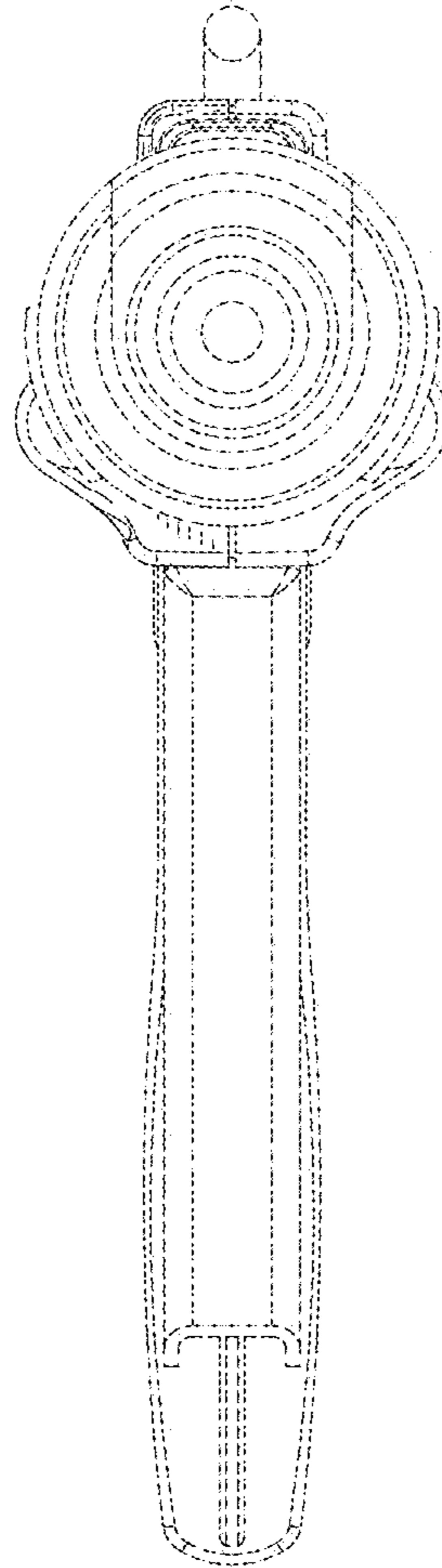


FIG. 3

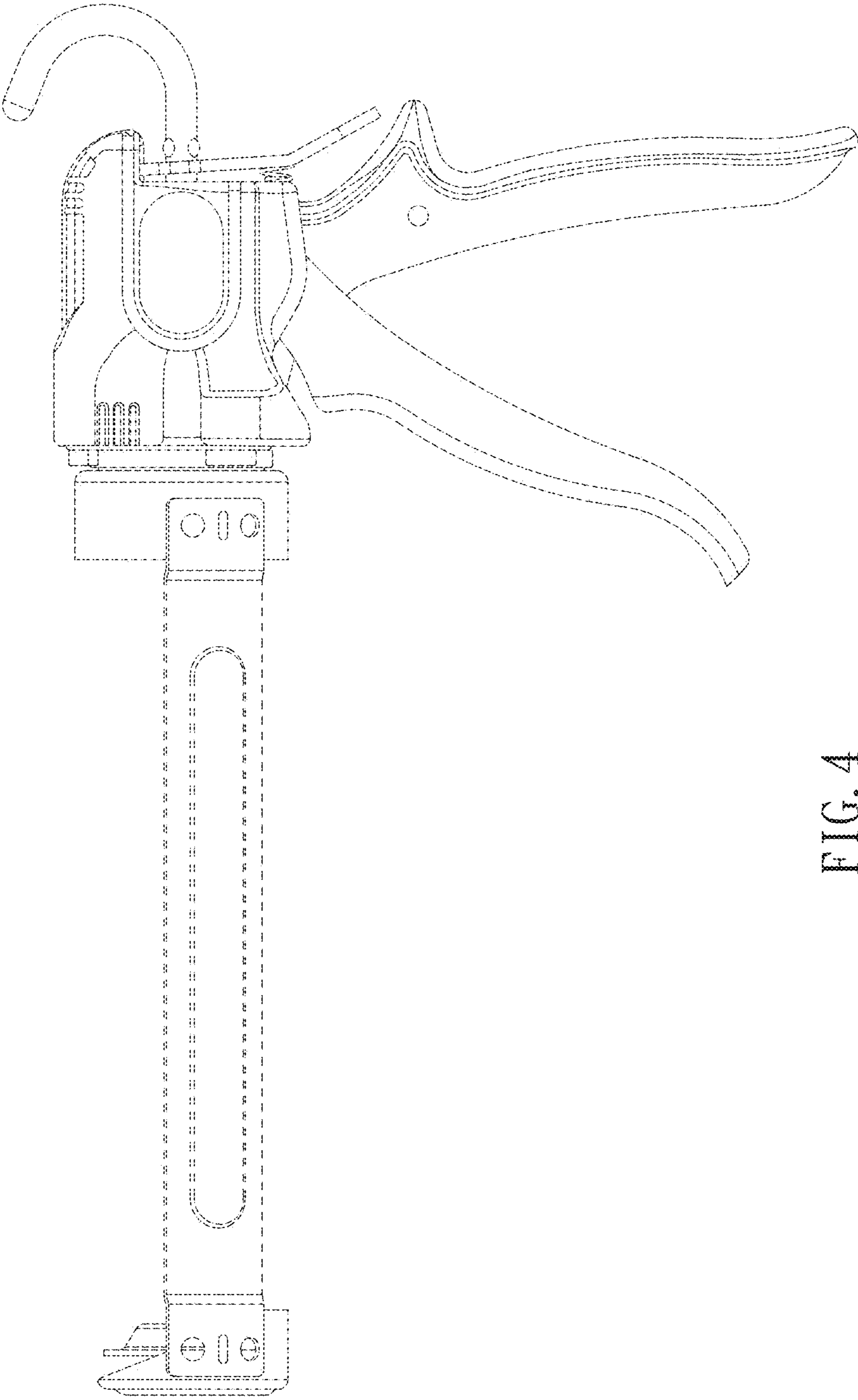


FIG. 4

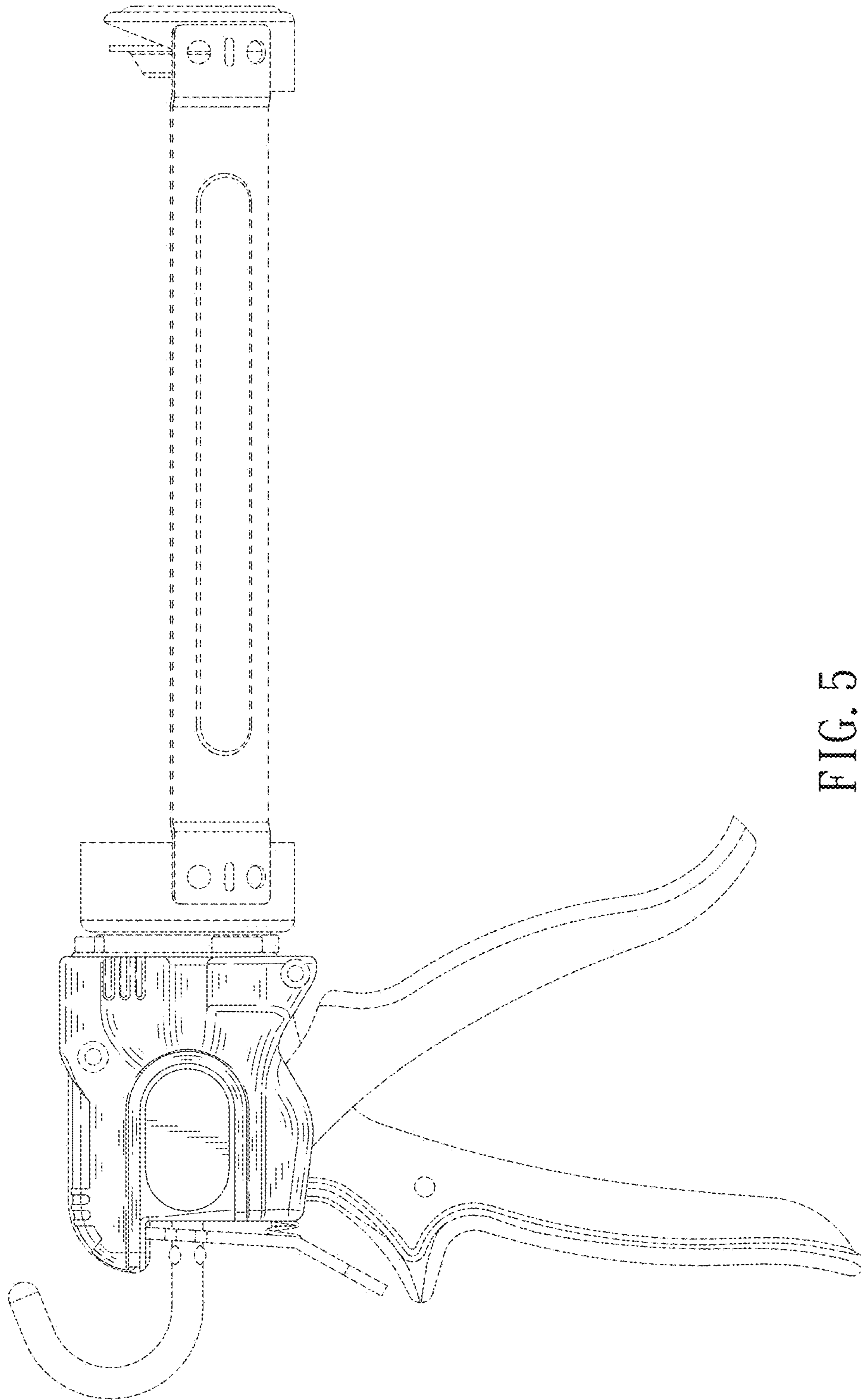


FIG. 5

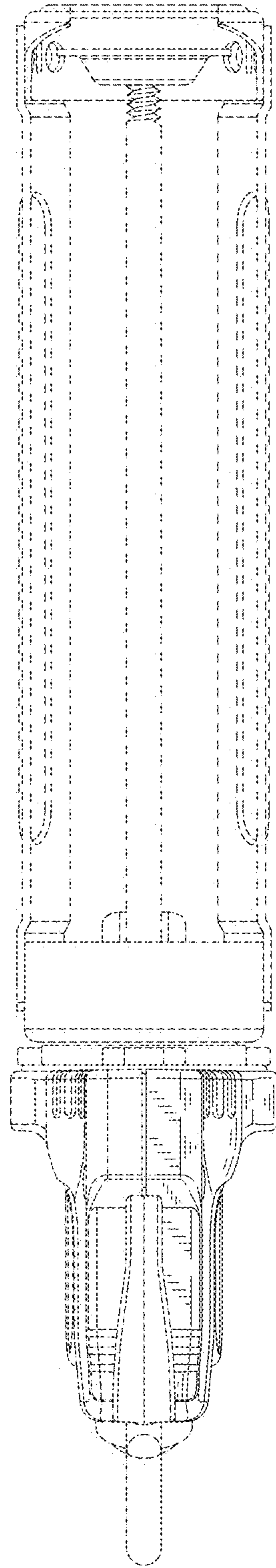


FIG. 6

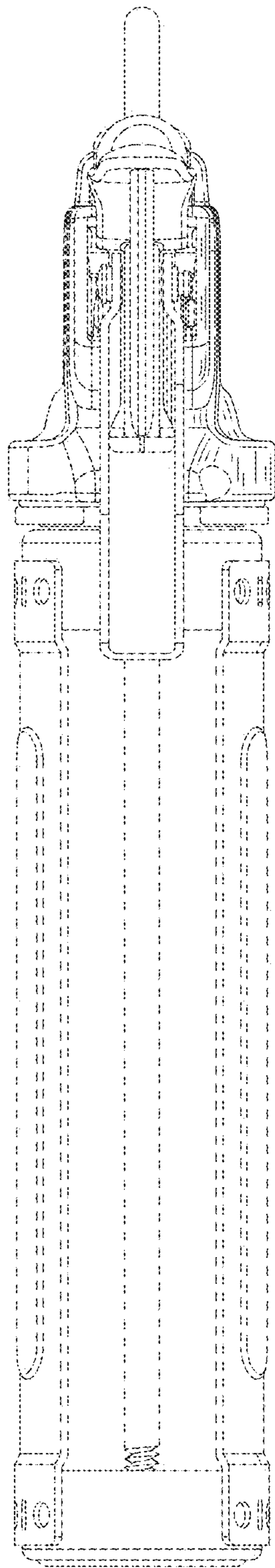


FIG. 7

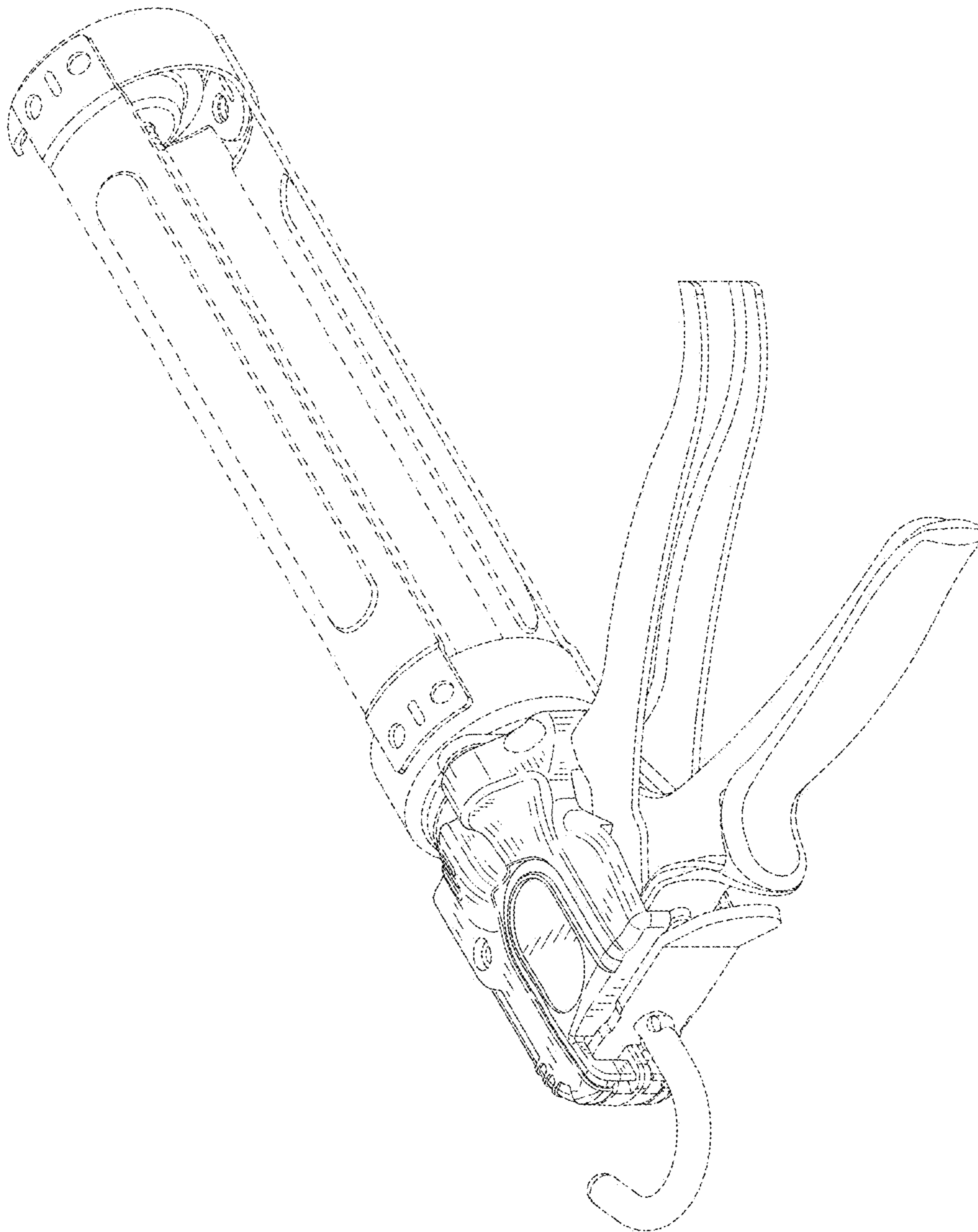


FIG. 8