



US00D899877S

(12) **United States Design Patent** (10) **Patent No.:** **US D899,877 S**  
**Jalet** (45) **Date of Patent:** **\*\* Oct. 27, 2020**

(54) **CUTTING BOARD**

(71) Applicant: **Dart Industries Inc.**, Orlando, FL (US)

(72) Inventor: **Vincent Jalet**, Brussels (BE)

(73) Assignee: **Dart Industries Inc.**, Orlando, FL (US)

(\*\*) Term: **15 Years**

(21) Appl. No.: **29/700,938**

(22) Filed: **Aug. 7, 2019**

(51) **LOC (12) Cl.** ..... **07-04**

(52) **U.S. Cl.**  
USPC ..... **D7/698**

(58) **Field of Classification Search**  
USPC ..... D7/398, 543, 549, 550.1, 586, 698-699;  
D9/761; D32/55-57  
CPC ..... A47G 23/06; A47J 47/00; A47J 47/005;  
A47J 47/20; B26D 7/0006; B26D 7/018;  
B26D 7/20; B23D 21/00; B23K 37/04;  
B23K 37/053; B23Q 16/001  
See application file for complete search history.

(56) **References Cited**

**U.S. PATENT DOCUMENTS**

D213,093 S *	1/1969	Thomas	.....	D9/761
3,498,470 A *	3/1970	Thomas	.....	A47G 23/06 211/74
D225,764 S *	1/1973	Duescker	.....	D7/698
D258,036 S *	1/1981	Sabin	.....	D7/698
D390,072 S	2/1998	Miller		
D463,224 S	9/2002	Cautereels et al.		
D473,112 S	4/2003	de Groote		

D528,371 S	9/2006	de Groote		
D543,423 S *	5/2007	Benson	.....	D7/698
D555,987 S *	11/2007	Williams	.....	D7/698
D571,167 S *	6/2008	McCammon	.....	D7/698
D615,826 S *	5/2010	Tsui	.....	D7/698
D684,022 S *	6/2013	Kim	.....	D7/698
D700,024 S *	2/2014	Murison	.....	D7/698
D721,915 S *	2/2015	Khuu	.....	D7/398
D887,228 S *	6/2020	Kwiatkowski	.....	D7/698

\* cited by examiner

*Primary Examiner* — Ricky Pham

(74) *Attorney, Agent, or Firm* — Taylor J. Ross

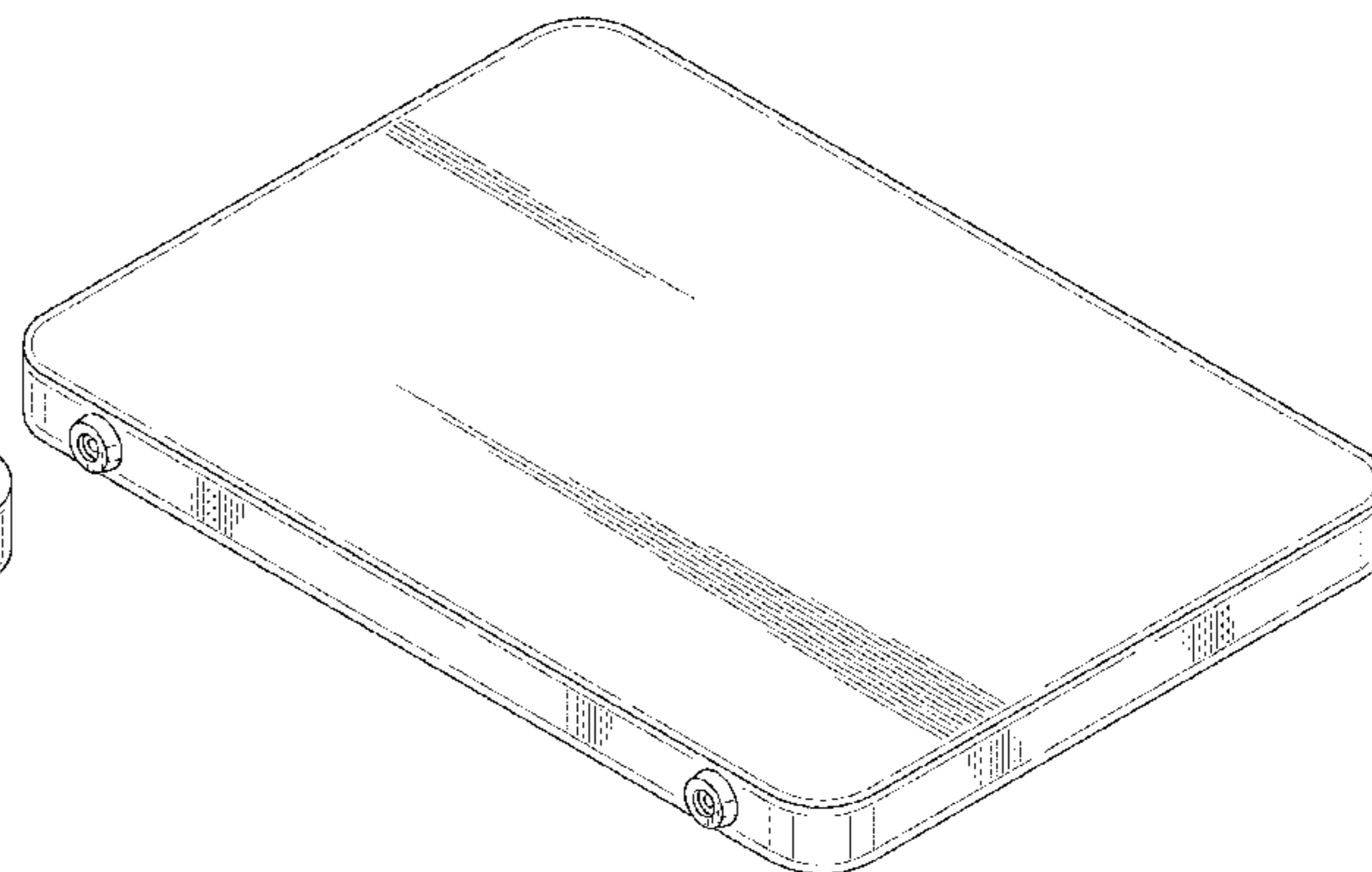
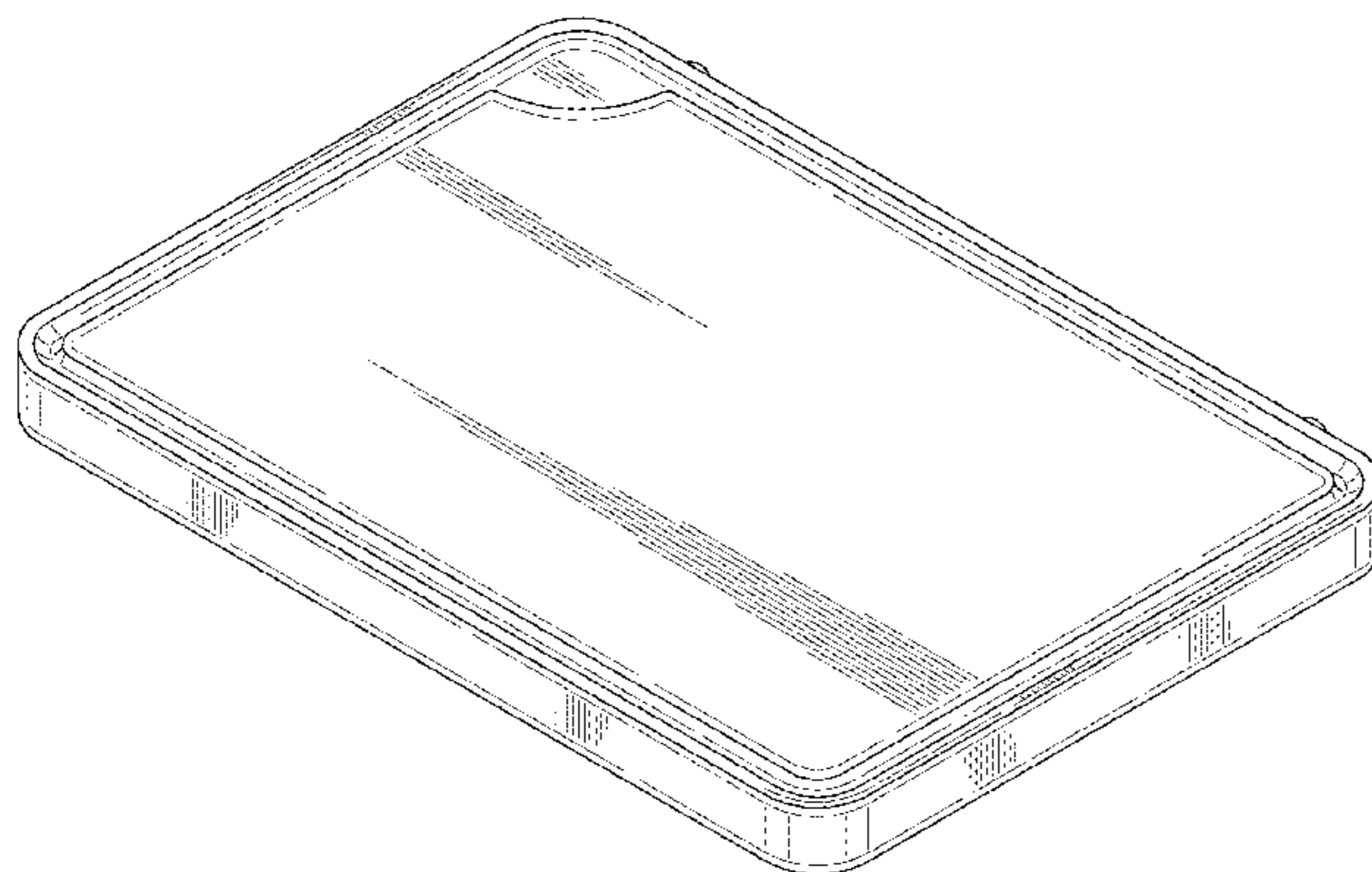
(57) **CLAIM**

The ornamental design for a cutting board, as shown and described.

**DESCRIPTION**

FIG. 1 is a top, front and left side isometric view of a cutting board showing my new design;  
FIG. 2 is a bottom, rear and left side isometric view thereof;  
FIG. 3 is a rear elevation view thereof;  
FIG. 4 is a front elevation view thereof;  
FIG. 5 is a top plan view thereof;  
FIG. 6 is a bottom plan view thereof;  
FIG. 7 is a right side elevation view, the left side elevation being a mirror image thereof;  
FIG. 8 is a cross-sectional view taken along line 8-8 of FIG. 5; and,  
FIG. 9 is a cross-sectional view taken along line 9-9 of FIG. 5.

**1 Claim, 4 Drawing Sheets**



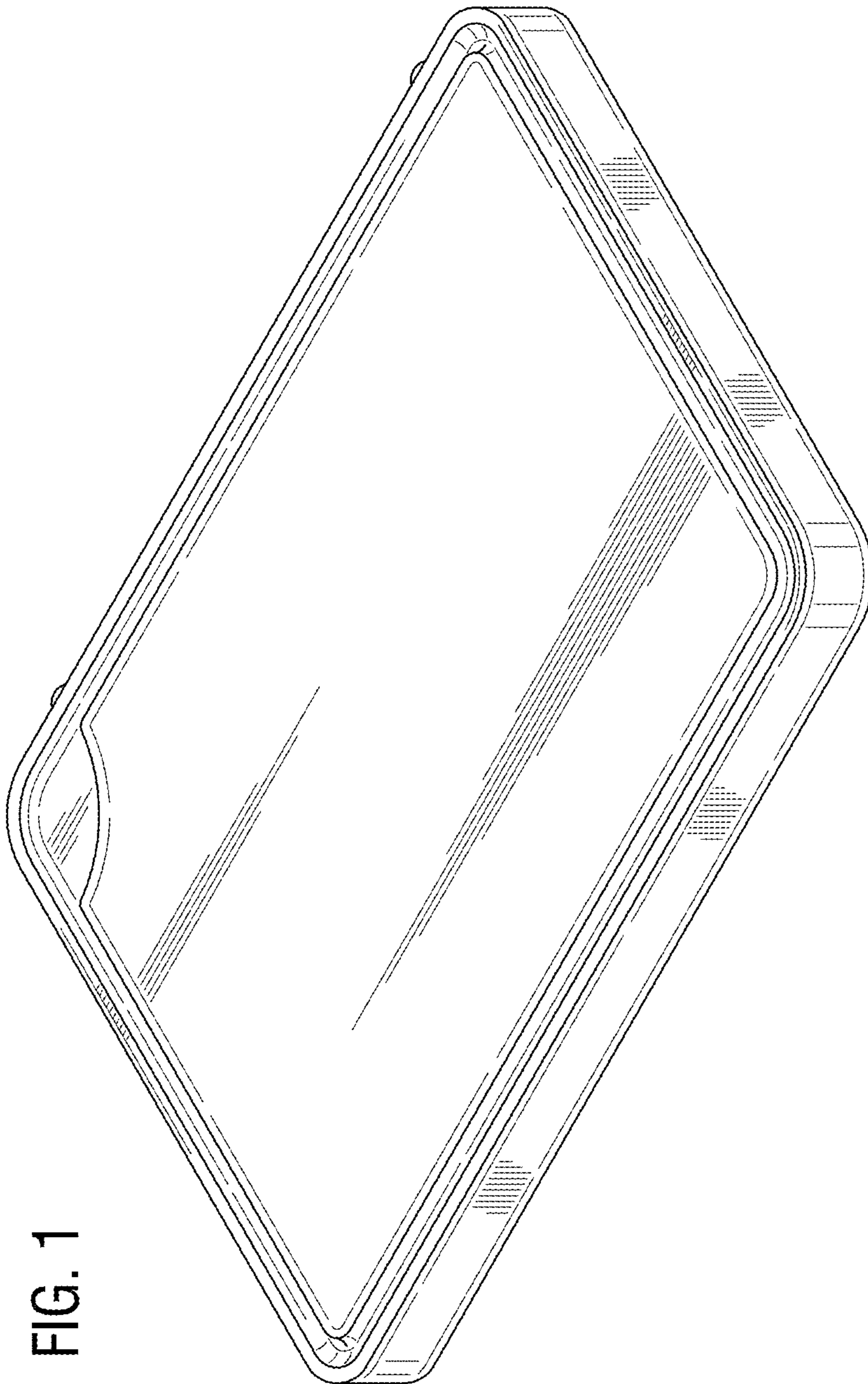


FIG. 1

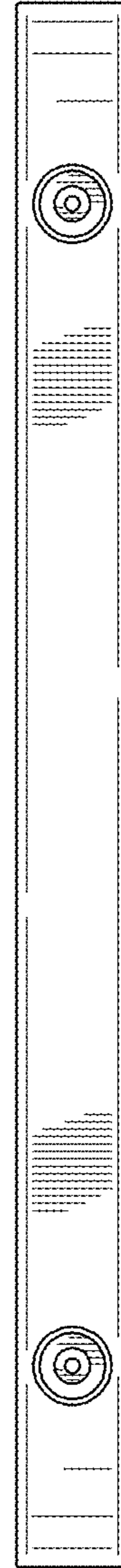


FIG. 3

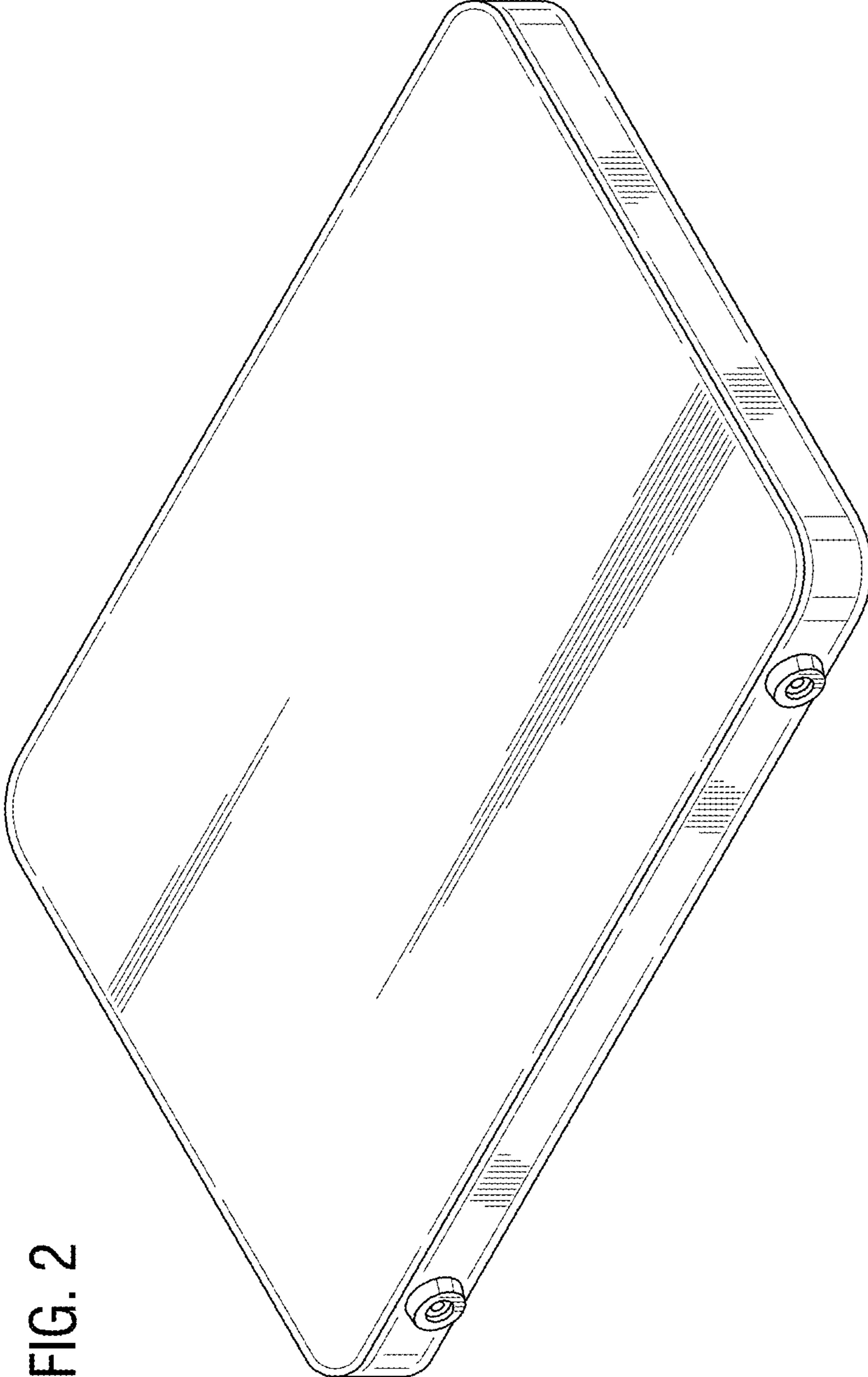


FIG. 2

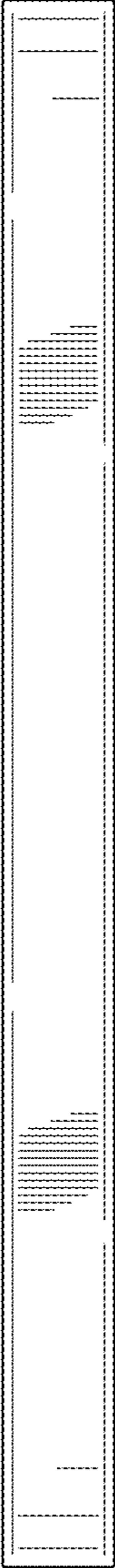


FIG. 4

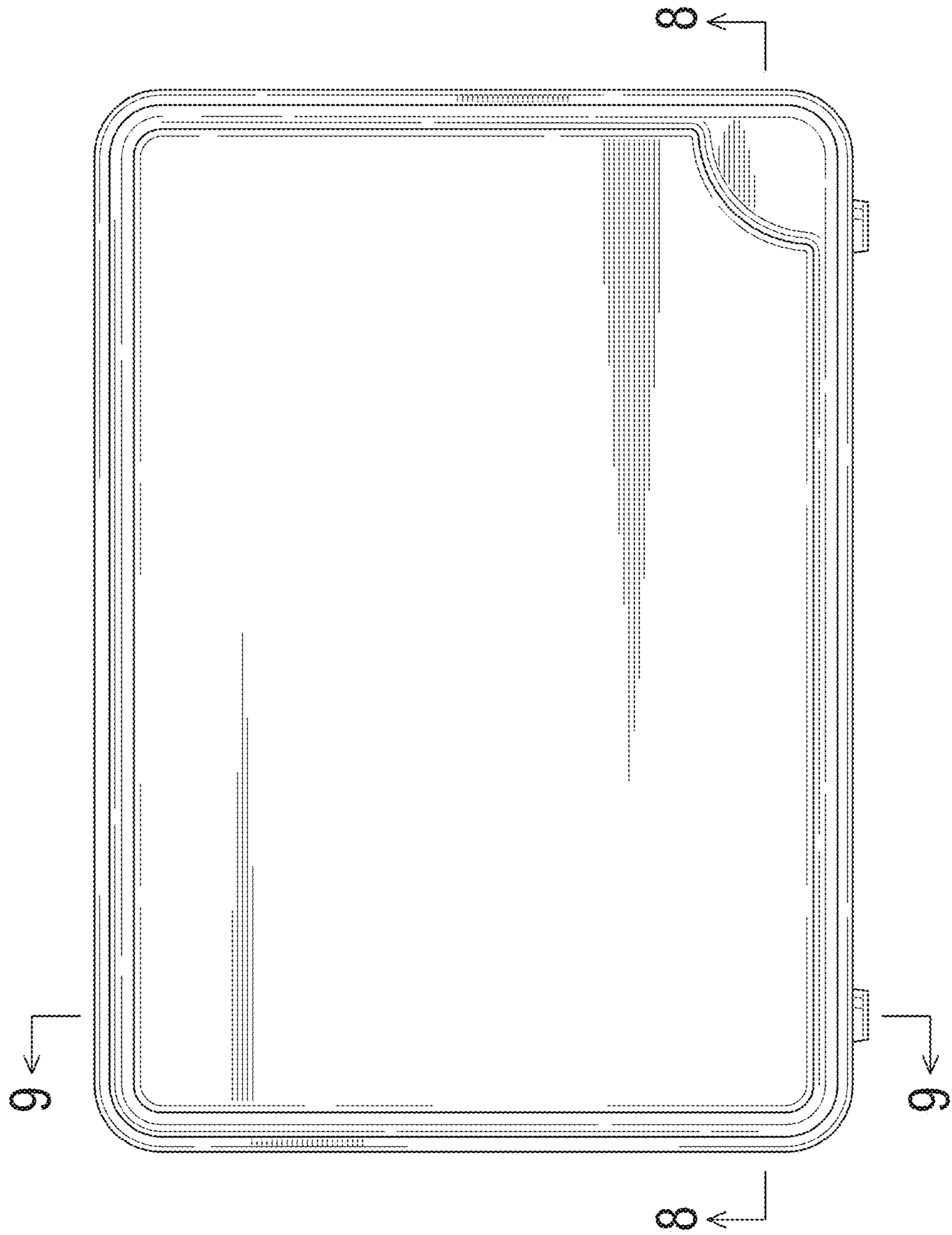


FIG. 5

FIG. 6

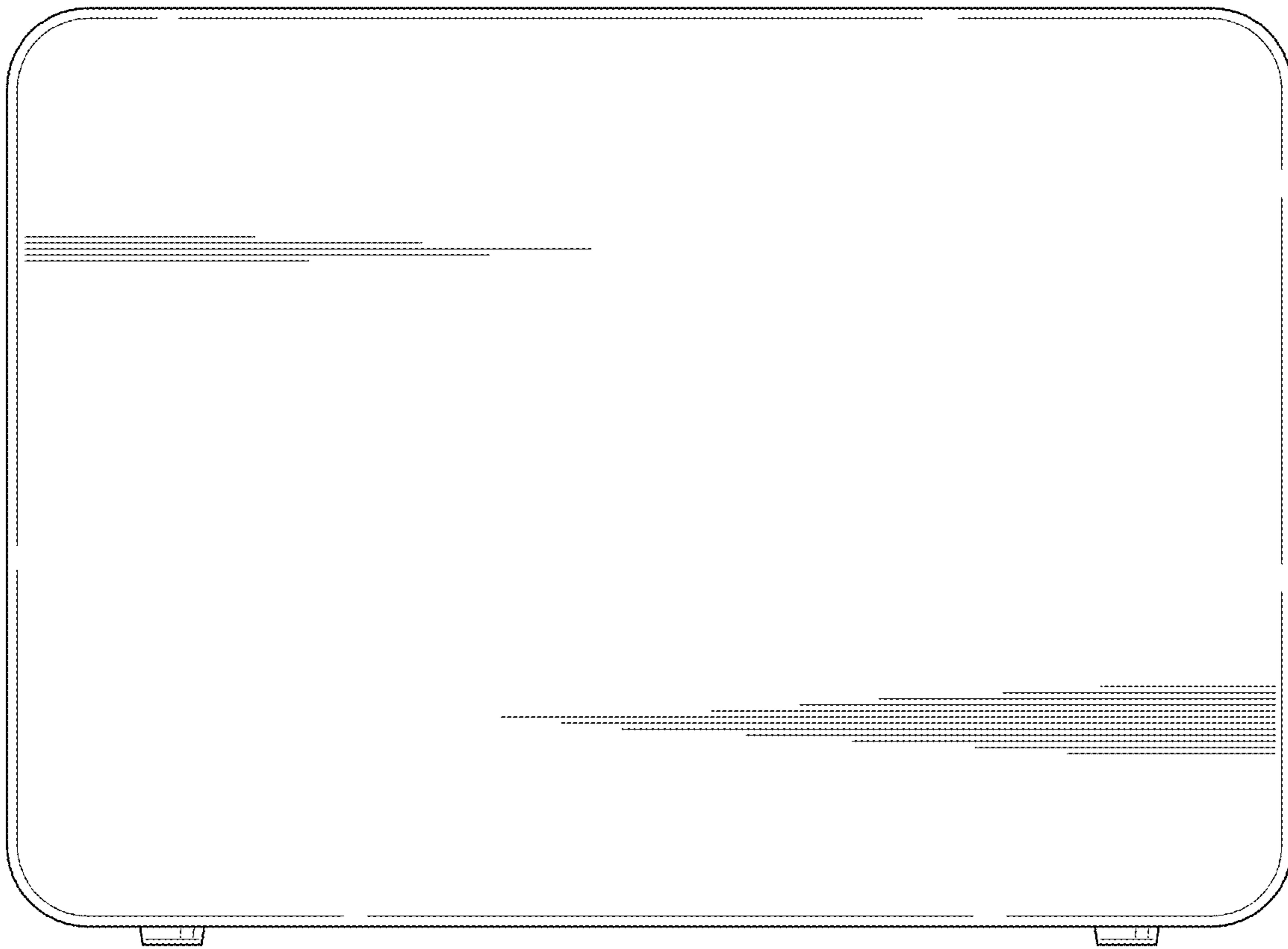


FIG. 7

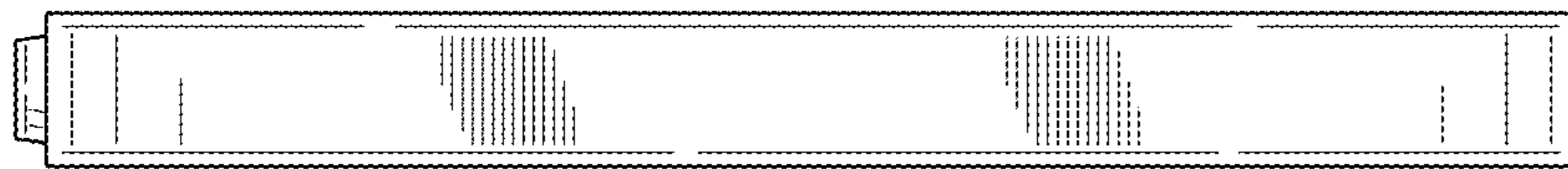


FIG. 8

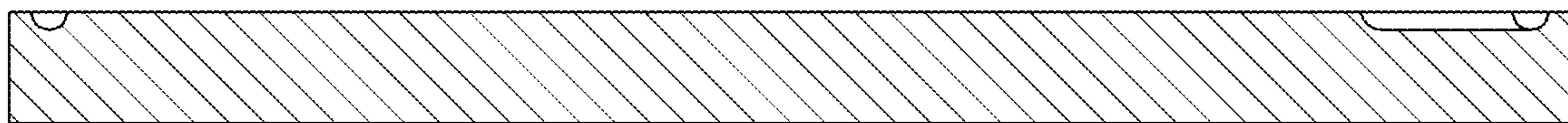


FIG. 9

