



US00D899873S

(12) **United States Design Patent** (10) **Patent No.:** **US D899,873 S**
Dearing (45) **Date of Patent:** **** Oct. 27, 2020**

(54) **ADJUSTABLE FABRIC BEVERAGE INSULATION SLEEVE**

(71) Applicant: **Barb Dearing**, Battle Creek, MI (US)

(72) Inventor: **Barb Dearing**, Battle Creek, MI (US)

(**) Term: **15 Years**

(21) Appl. No.: **29/681,731**

(22) Filed: **Feb. 27, 2019**

(51) **LOC (12) Cl.** **07-06**

(52) **U.S. Cl.**
USPC **D7/624.2**

(58) **Field of Classification Search**
USPC D7/619.1-625, 603-608; D9/444, 455
CPC A47G 19/2288; A47G 23/0266; A47G 23/0241; A47G 21/145; B65D 65/02; B65D 65/08; B65D 81/3881; B65D 81/3886; B65D 81/3883; B65D 81/3879; B65D 23/08; B65D 23/0885; F25D 3/08; F25D 3/12; F25D 3/14; F25D 2203/0841; A47B 55/00; A47B 55/02; A47B 73/00; A47B 73/002; A47B 73/004; A47B 73/006; A47B 73/008; A47B 69/00; A47J 47/16; A61F 7/10; A45C 11/20; A45F 3/44; A45F 3/02; A45F 3/16; A45F 5/00; A45F 2003/002; A45F 2005/006

See application file for complete search history.

(56) **References Cited**

U.S. PATENT DOCUMENTS

4,540,611 A * 9/1985 Henderson B65D 23/08 150/901
6,158,612 A * 12/2000 Alpert A47G 23/0216 220/662

8,752,726 B2 * 6/2014 Molz B65D 81/3876 220/737
2009/0302047 A1 * 12/2009 Anderson B65D 81/3876 220/739
2012/0024875 A1 * 2/2012 Zerda B65D 81/3886 220/739
2015/0362244 A1 * 12/2015 Sporre F25D 3/08 62/457.4

* cited by examiner

Primary Examiner — Terry A Wallace

(74) *Attorney, Agent, or Firm* — Acker Wood IP Law; Gwen R. Acker Wood

(57) **CLAIM**

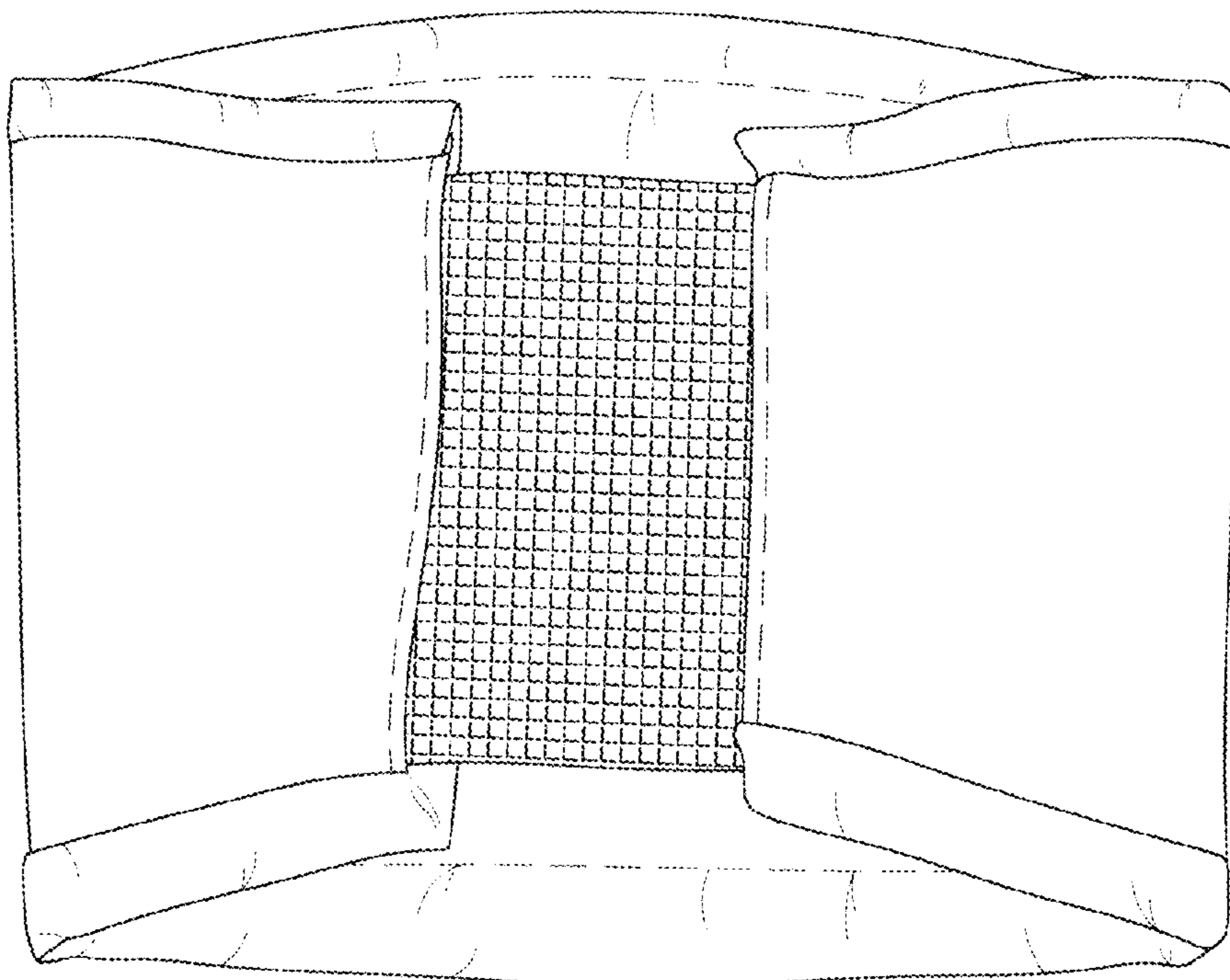
The ornamental design for an adjustable fabric beverage insulation sleeve, as shown and described.

DESCRIPTION

FIG. 1 is a front view of an adjustable fabric beverage insulation sleeve when fitted around a cup; FIG. 2 is a back view of the adjustable fabric beverage insulation sleeve when fitted around a cup; FIG. 3 is a front view of the adjustable fabric beverage insulation sleeve; and, FIG. 4 is a back view of the adjustable fabric beverage insulation sleeve.

The broken lines are for environmental purposes only and form no part of the claimed design.

1 Claim, 4 Drawing Sheets



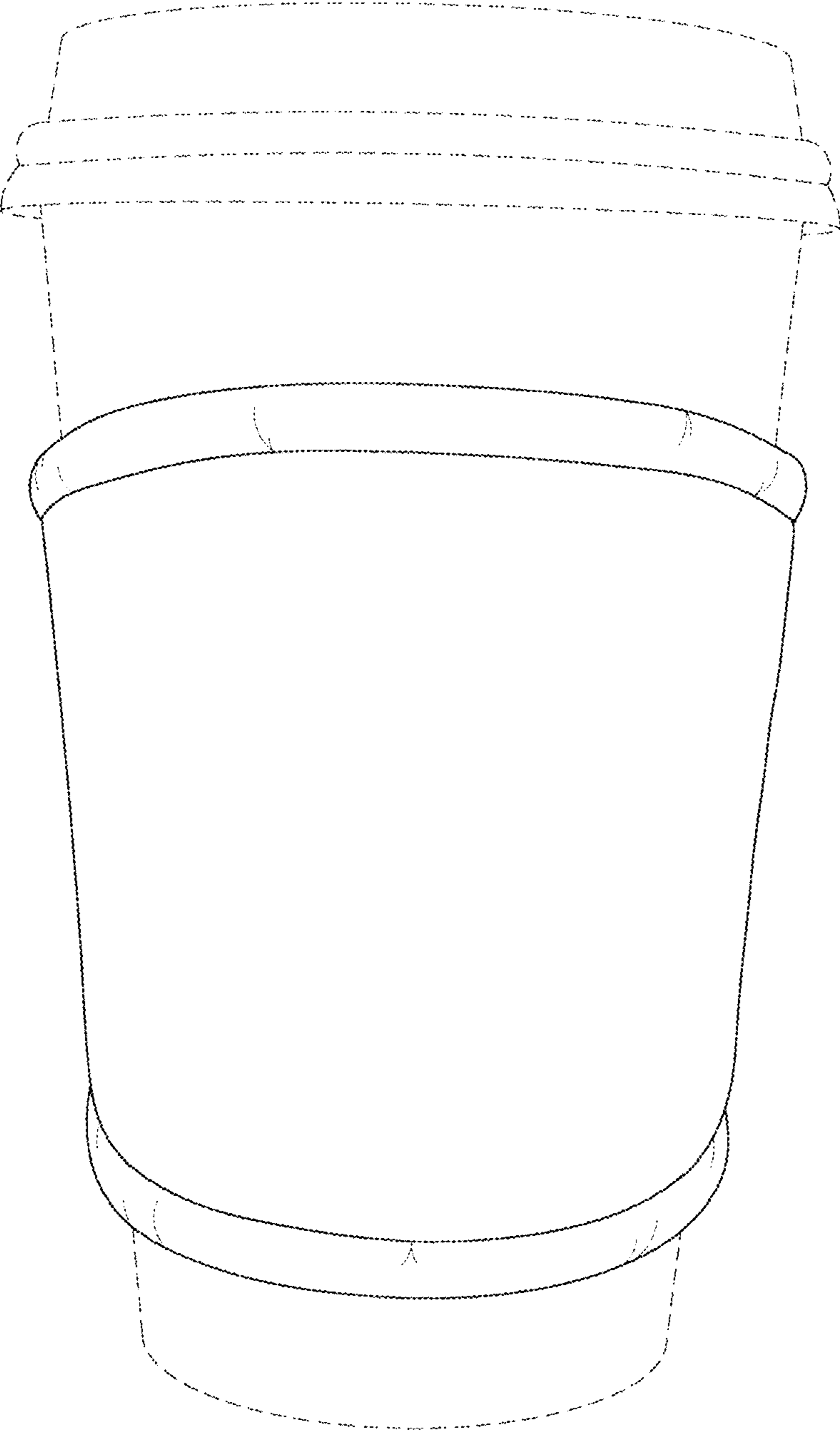


FIG. 1

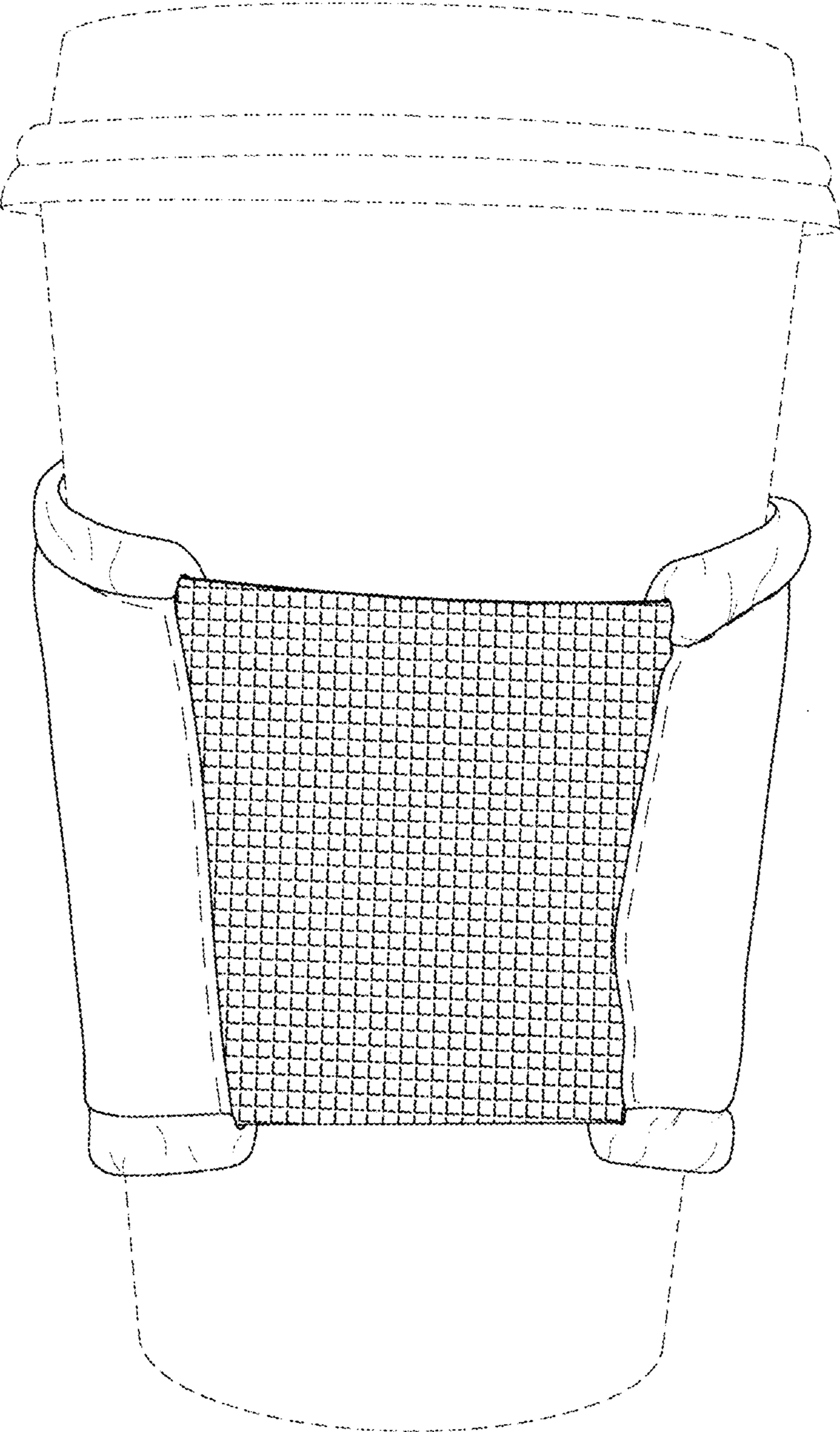


FIG. 2

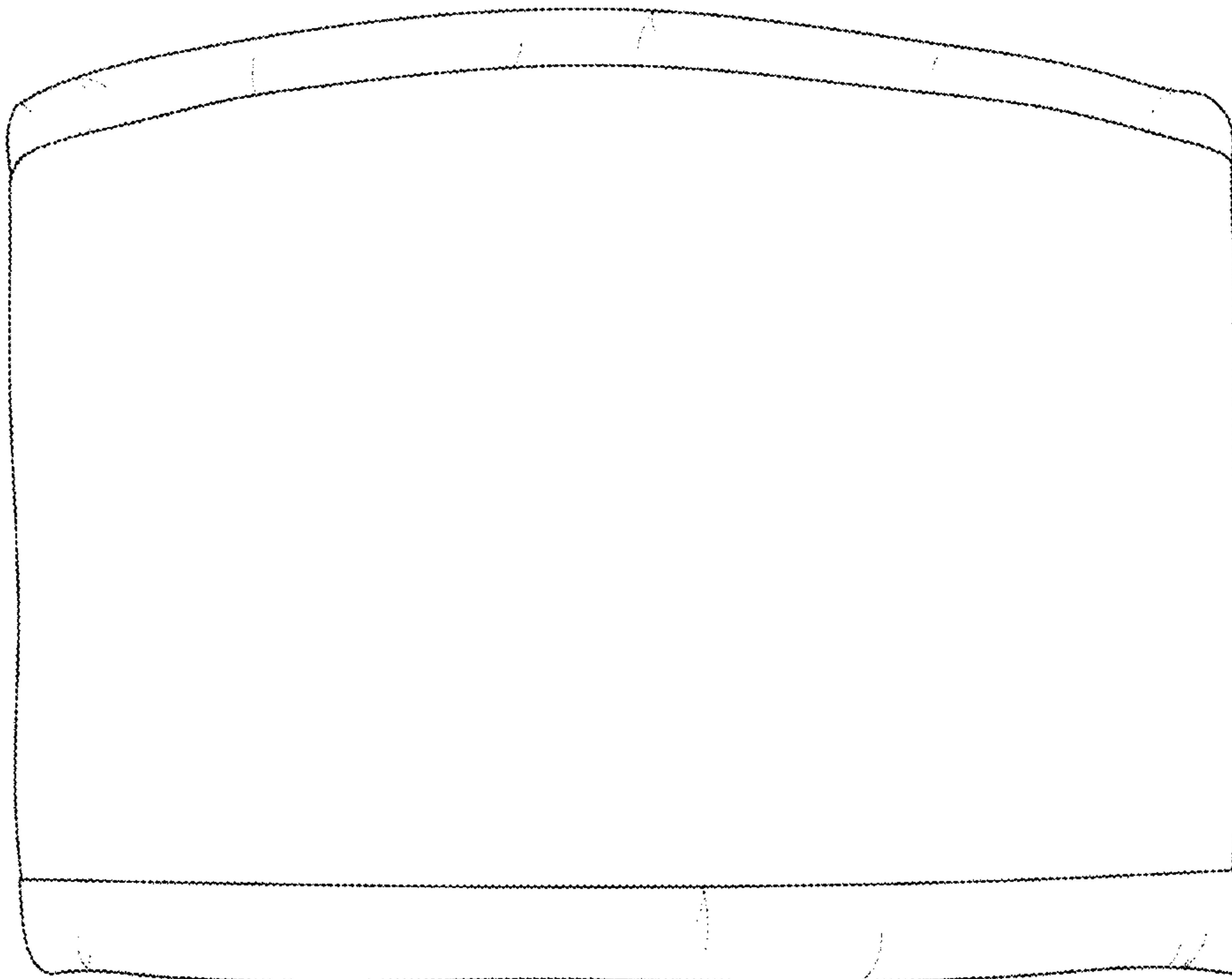


FIG. 3

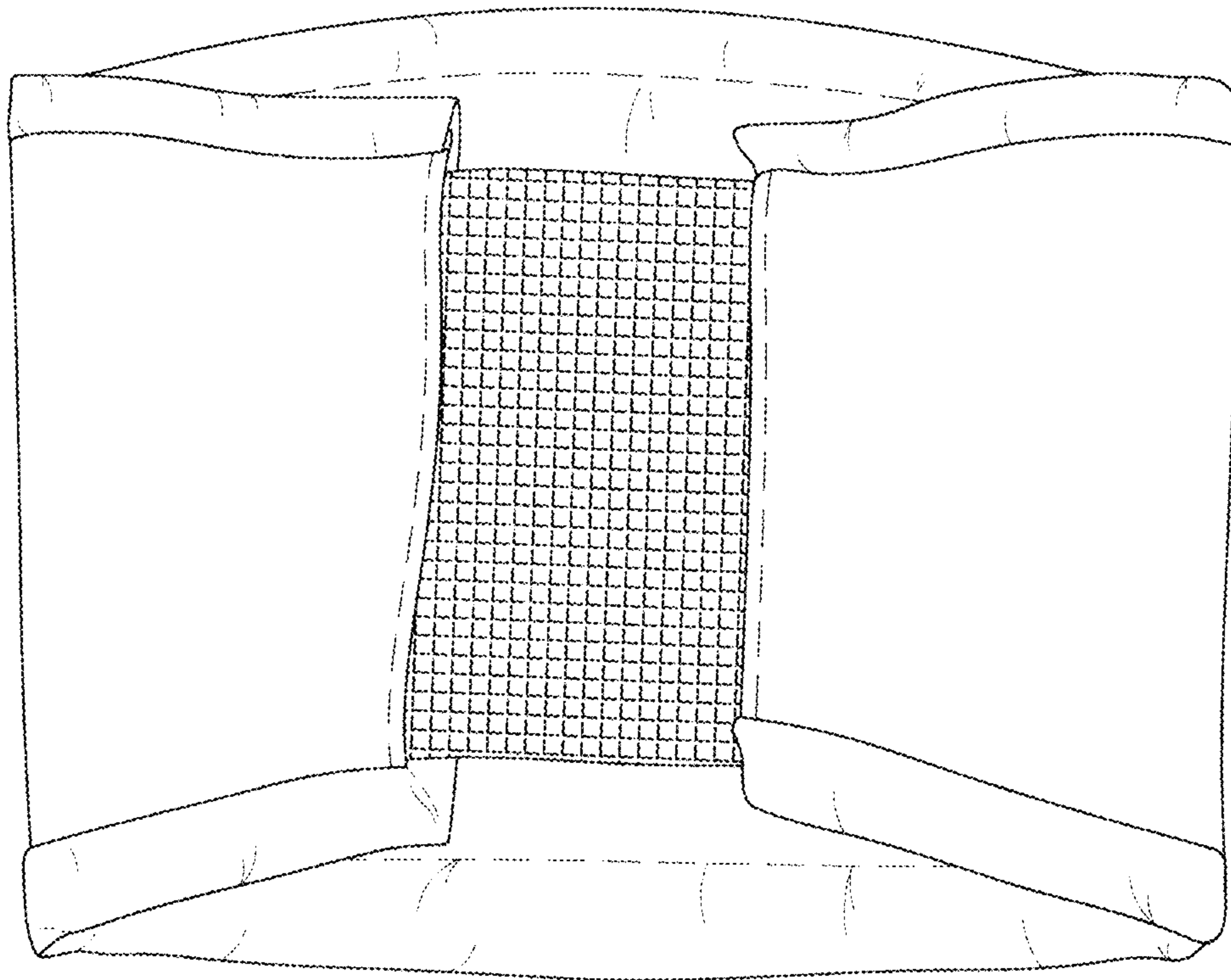


FIG. 4