



US00D899871S

(12) **United States Design Patent** (10) **Patent No.:** **US D899,871 S**
Seiders et al. (45) **Date of Patent:** **** Oct. 27, 2020**

(54) **JUG**

(56)

References Cited

(71) Applicant: **YETI Coolers, LLC**, Austin, TX (US)

U.S. PATENT DOCUMENTS

(72) Inventors: **Roy Joseph Seiders**, Austin, TX (US);
John Alan Tolman, Austin, TX (US);
Steve Nichols, Austin, TX (US)

1,477,936 A	12/1923	Bott
D101,575 S	10/1936	Windbiel
D109,331 S	4/1938	McManus et al.
D154,378 S	7/1949	Fuller
2,735,566 A	2/1956	Bramming
D177,761 S	5/1956	Reinhardt
2,804,103 A	8/1957	Wall
2,881,776 A	4/1959	Wrage
2,957,596 A	10/1960	Rehborg
2,963,187 A	12/1960	Bramming
3,089,603 A	5/1963	Leslie-Smith
3,140,799 A	7/1964	Mehr
3,141,586 A	7/1964	Wetterek
3,220,695 A	11/1965	Downey et al.
3,239,090 A	3/1966	Bramming
3,249,268 A	5/1966	Neuner
3,285,453 A	11/1966	Wagner
3,307,752 A	3/1967	Anderson
3,439,843 A	4/1969	Corsette
3,456,840 A	7/1969	McAlaster
3,592,349 A	7/1971	Baugh
3,638,821 A	2/1972	Guala
D224,646 S	8/1972	Vollquartz
3,752,347 A	8/1973	Bell
3,776,433 A	12/1973	De Treitas
3,785,539 A	1/1974	Wetterek
3,842,790 A	10/1974	Clark
3,863,798 A	2/1975	Kurihara et al.
3,874,541 A	4/1975	Lagneaux et al.
D235,303 S	6/1975	Boucher
D248,373 S	* 7/1978	Allen D7/511
D256,651 S	9/1980	Leung et al.
4,358,024 A	11/1982	Underwood
4,497,422 A	2/1985	Klees
D279,346 S	6/1985	Ruxton
D281,567 S	12/1985	Zimmermann
D286,604 S	11/1986	Bierlein et al.
D286,847 S	11/1986	Zimmermann
D287,211 S	12/1986	Weiss
D289,614 S	5/1987	Sanchez et al.
D292,492 S	10/1987	Ross et al.
4,723,677 A	2/1988	Nagel, Jr.
4,981,233 A	1/1991	Scheurer
D321,628 S	* 11/1991	Kobayashi D7/608
D325,167 S	4/1992	Humfress
5,105,975 A	4/1992	Patterson
D329,809 S	9/1992	Bloomfield
D332,379 S	1/1993	Murphy
5,190,178 A	3/1993	Luch

(73) Assignee: **YETI Coolers, LLC**, Austin, TX (US)

(**) Term: **15 Years**

(21) Appl. No.: **29/725,024**

(22) Filed: **Feb. 21, 2020**

Related U.S. Application Data

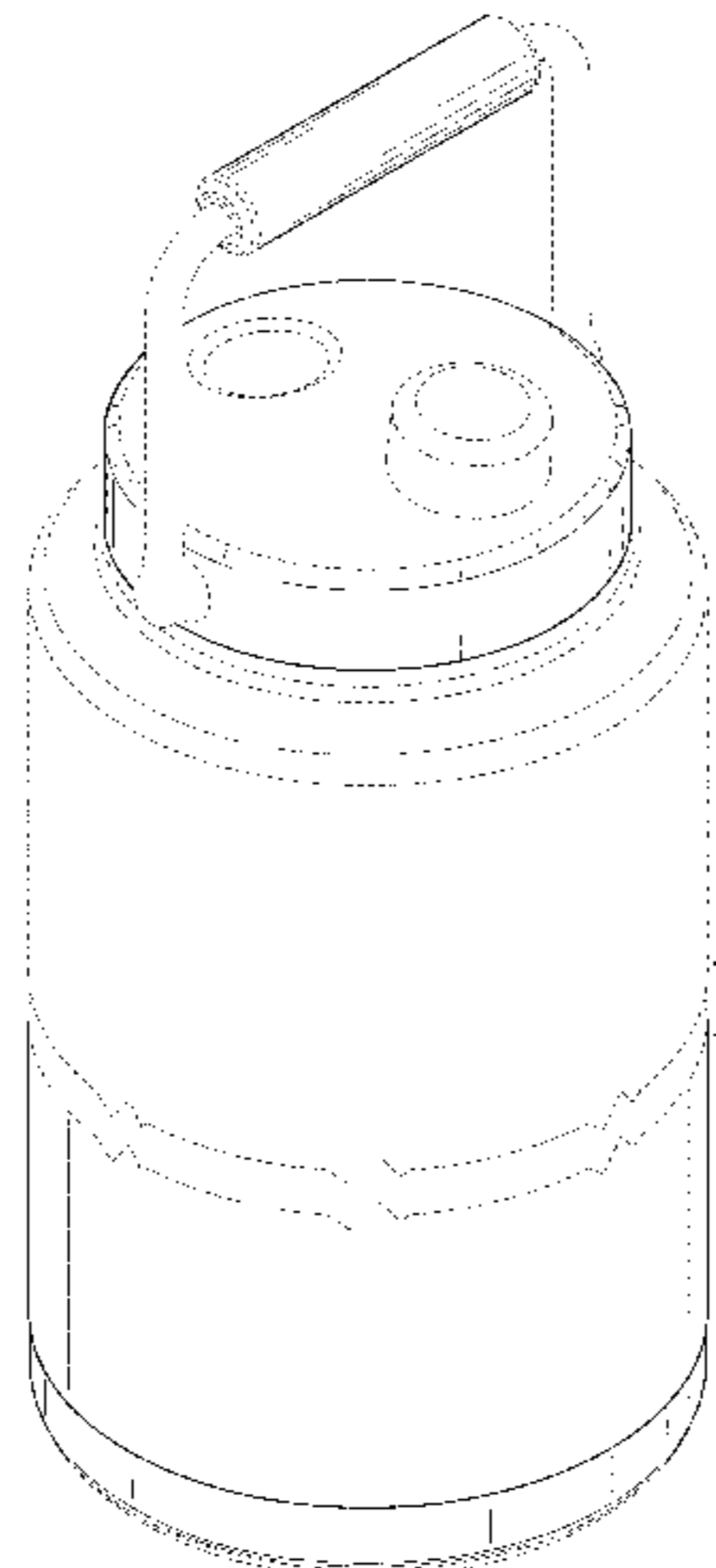
(63) Continuation of application No. 29/658,518, filed on Jul. 31, 2018, now Pat. No. Des. 876,905, which is a continuation of application No. 29/605,807, filed on May 30, 2017, now Pat. No. Des. 854,217, which is a continuation of application No. 29/546,291, filed on Nov. 20, 2015, now Pat. No. Des. 787,893.

(51) **LOC (12) Cl.** **07-01**

(52) **U.S. Cl.**
USPC **D7/608**

(58) **Field of Classification Search**
USPC D7/603-608, 392.1, 510, 511, 312-314, D7/317, 318; D9/447, 449, 504
CPC B65D 25/28; B65D 25/42; B65D 41/0414; B65D 41/0485; B65D 41/62; B65D 43/26; B65D 43/02; B65D 43/162; B65D 43/163; B65D 47/08; B65D 47/066; B65D 51/18; B65D 2251/0021; B65D 2251/00046; B65D 2251/0081; B65D 47/0814; B65D 47/0838; B65D 47/0861; B65D 1/0215; B65D 81/3886; B65D 81/3823; A47G 19/2266; A47G 19/2272; A47G 23/0216; A45C 11/20; F25D 3/08; F25D 3/14

See application file for complete search history.



US D899,871 S

5,211,299 A	5/1993	Manfredonia	7,458,486 B2	12/2008	Weist et al.
5,232,112 A	8/1993	Howard	D584,623 S	1/2009	Chupak
5,249,703 A	10/1993	Karp	D586,183 S	2/2009	Junket
5,251,788 A	10/1993	Moore	D587,533 S	3/2009	Carreno
D354,915 S	1/1995	Schneider et al.	D589,348 S	3/2009	Miller et al.
5,392,967 A	2/1995	Satomi et al.	D594,346 S	6/2009	Mouquet
D361,265 S	8/1995	Doxey	D599,616 S	9/2009	Cresswell et al.
5,490,622 A	2/1996	Tardif	D601,436 S	10/2009	Stephens et al.
D368,224 S	3/1996	Arndt	D603,331 S	11/2009	Schupp
5,498,333 A	3/1996	Canther	D603,722 S	11/2009	Reimer
5,605,241 A	2/1997	Imperioli	D604,181 S	11/2009	Reimer
D384,280 S	9/1997	Kuczer	D604,561 S	11/2009	Chisholm
D398,193 S	9/1998	Sanchez	D605,040 S	12/2009	Fry et al.
5,813,557 A	9/1998	Oratz	D605,060 S	12/2009	Reimer
5,839,611 A	11/1998	Obadia et al.	D605,942 S	12/2009	Miksovsky
D402,510 S	12/1998	Miller	D610,871 S	3/2010	Alviar et al.
D405,642 S	2/1999	Toriba	D611,346 S	3/2010	Camomile
D405,650 S	2/1999	Meier	D612,235 S	3/2010	Cresswell et al.
D407,211 S	3/1999	Diviak, Sr.	D612,660 S	3/2010	Bodum
D407,273 S	3/1999	Moran	D614,918 S	5/2010	Chisholm
D410,175 S	5/1999	Moran	D614,955 S	5/2010	Cresswell et al.
5,909,820 A	6/1999	Yeh	D615,360 S	5/2010	Joy et al.
D415,395 S	10/1999	Hunt et al.	D615,361 S	5/2010	Goble
D415,936 S	11/1999	Moran	D615,816 S	5/2010	Joy et al.
D422,916 S	4/2000	Herrmann	D616,703 S	6/2010	Joy et al.
6,079,589 A	6/2000	Matsuyama et al.	D616,743 S	6/2010	Cresswell et al.
6,102,227 A	8/2000	Cochrane	D616,744 S	6/2010	Cresswell et al.
6,102,244 A	8/2000	Kuwano et al.	D619,457 S	7/2010	Walsh
D437,528 S	2/2001	Kitamura et al.	D619,458 S	7/2010	Walsh
6,264,072 B1	7/2001	Johannes	D619,459 S	7/2010	Walsh
D447,410 S	9/2001	Malmborg	D620,798 S	8/2010	Cresswell et al.
6,321,924 B1	11/2001	Yurkewicz et al.	D621,257 S	8/2010	Gullickson et al.
6,332,557 B1	12/2001	Moran	D621,258 S	8/2010	Gullickson et al.
6,357,628 B1	3/2002	Long, Jr.	D621,648 S	8/2010	Lown et al.
D456,669 S	5/2002	Munari	D622,089 S	8/2010	Daniel et al.
D458,133 S	6/2002	Berish et al.	D622,145 S	8/2010	Walsh
D458,134 S	6/2002	Berish et al.	D623,475 S	9/2010	Aarnoudse et al.
D466,814 S	12/2002	Hurlburt	D623,480 S	9/2010	Moran
6,530,496 B2	3/2003	Moran	D623,481 S	9/2010	Moran
6,536,618 B1	3/2003	Hwang et al.	D625,560 S	10/2010	Olson et al.
D475,924 S	6/2003	Haffner	D626,414 S	11/2010	Cresswell et al.
D476,890 S	7/2003	Hirose	D626,416 S	11/2010	Cresswell et al.
6,601,740 B1	8/2003	Clive	D627,601 S	11/2010	Eyal
D479,800 S	9/2003	McRae	D627,602 S	11/2010	Eyal
D479,995 S	9/2003	Duceppe	D627,604 S	11/2010	Eyal
D482,607 S	11/2003	McRae	D628,018 S	11/2010	Gilbert
6,648,158 B1	11/2003	Lawrence	D628,486 S	12/2010	Lane
6,662,978 B2	12/2003	Lin et al.	D628,898 S	12/2010	Barnett et al.
6,675,998 B2	1/2004	Forsman et al.	D628,900 S	12/2010	Barnett et al.
6,702,138 B1	3/2004	Bielecki et al.	D628,901 S	12/2010	Barnett et al.
D490,275 S	5/2004	Moran	D629,689 S	12/2010	Cresswell et al.
D494,064 S	8/2004	Hook	D629,690 S	12/2010	Cresswell et al.
D494,425 S	8/2004	Segura	D629,691 S	12/2010	Cresswell et al.
6,908,015 B2	6/2005	Choi et al.	D630,474 S	1/2011	Gilbert
D507,495 S	7/2005	Williams et al.	D630,475 S	1/2011	Lu
D511,457 S	11/2005	Biesecker et al.	D631,349 S	1/2011	Arnell et al.
D521,314 S	5/2006	Ball	7,870,968 B2	1/2011	Hanson
D524,909 S	7/2006	Bakke et al.	D631,666 S	2/2011	Lim et al.
D525,518 S	7/2006	Baldwin	D633,338 S	3/2011	Rosbach et al.
D530,141 S	* 10/2006	Wilgus D7/313	D633,794 S	3/2011	Cresswell et al.
D533,032 S	12/2006	Liu et al.	D633,795 S	3/2011	Cresswell et al.
D536,929 S	2/2007	Kingsley	D633,796 S	3/2011	Cresswell et al.
D536,974 S	2/2007	Smith et al.	D633,797 S	3/2011	Cresswell et al.
7,172,101 B2	2/2007	Find	D634,160 S	3/2011	Cetera
D537,714 S	3/2007	Yerby et al.	D635,457 S	4/2011	Lane
D540,625 S	4/2007	Sandberg	D635,856 S	4/2011	Lauret
D548,082 S	8/2007	Kingsley	D638,695 S	5/2011	Woodrow et al.
D549,444 S	* 8/2007	Schnackenberg D3/202	D638,708 S	5/2011	Walsh
7,270,244 B1	9/2007	Liu	D639,164 S	6/2011	Walsh
D553,914 S	10/2007	Wahl	D639,177 S	6/2011	Pape
D554,000 S	10/2007	Walsh	D639,661 S	6/2011	Llerena
D557,994 S	12/2007	Wahl	D639,663 S	6/2011	Llerena
D564,363 S	3/2008	Rhea	D640,466 S	6/2011	Staton
D567,007 S	4/2008	Bodum	D641,257 S	7/2011	Thiebaut et al.
D567,021 S	4/2008	Bach et al.	D641,591 S	7/2011	Tsukida
D569,195 S	5/2008	Kim	D643,691 S	8/2011	Selina et al.
D572,585 S	7/2008	Perrin et al.	D643,693 S	8/2011	Jama
D574,237 S	8/2008	Yates, III	D645,709 S	9/2011	Endo
D583,200 S	12/2008	Moran	8,011,535 B2	9/2011	Tauber et al.

US D899,871 S

D648,984 S	11/2011	Gullickson et al.	D713,268 S	9/2014	Jones et al.
D651,050 S	12/2011	Goshi	D713,365 S	9/2014	Green
D651,847 S	1/2012	Gilbert	8,833,586 B2	9/2014	Meyers et al.
D652,255 S	1/2012	Carland	D714,584 S	10/2014	Boroski
D652,682 S	1/2012	Eyal	D717,102 S	11/2014	Taketani et al.
D653,499 S	2/2012	Dietterle et al.	D717,601 S	11/2014	Dixon
D654,762 S	2/2012	Gilbert	D719,780 S	12/2014	Sullivan
D655,134 S	3/2012	Gilbert	8,905,252 B2	12/2014	Latham et al.
D655,581 S	3/2012	Kotani	D724,385 S *	3/2015	Hurley D7/511
D657,196 S	4/2012	Beyers, III	D724,435 S	3/2015	Kaufman et al.
D658,064 S	4/2012	Barnes et al.	8,967,414 B2	3/2015	Lane
D658,445 S	5/2012	Carreno	8,985,406 B2	3/2015	Tachi
D659,007 S	5/2012	Pape	D728,315 S	5/2015	Bo
D660,084 S	5/2012	Gilbert	D728,995 S	5/2015	Barberi
8,177,097 B2	5/2012	Duran	D729,579 S	5/2015	Molayem
D662,360 S	6/2012	George	D729,584 S	5/2015	Weston et al.
8,210,572 B2	7/2012	Davis	D732,402 S	6/2015	Jones et al.
8,215,511 B1	7/2012	Lin	D734,154 S	7/2015	Johnson et al.
D664,809 S	8/2012	Eyal	D734,638 S	7/2015	Wahl
D665,621 S	8/2012	Eyal	D735,033 S	7/2015	Lynd et al.
8,245,600 B2	8/2012	Beard	D735,038 S	7/2015	Tamarindo
8,245,870 B2	8/2012	McKinney et al.	D735,578 S	8/2015	Mazurkiewicz et al.
8,251,247 B1	8/2012	Breckner	9,113,698 B2	8/2015	Blain et al.
D666,908 S	9/2012	Dabah et al.	9,126,731 B2	9/2015	Chen
8,256,631 B2	9/2012	Hoffmann et al.	D741,655 S	10/2015	Whelan et al.
8,272,532 B2	9/2012	Michaelian et al.	D743,255 S	11/2015	Niggemyer
D668,913 S	10/2012	Mayer	D743,742 S	11/2015	Rummel et al.
8,292,133 B2	10/2012	Baughman et al.	D744,781 S	12/2015	Rummel et al.
D670,137 S	11/2012	Gilbert	9,205,445 B2	12/2015	Fang
D671,372 S *	11/2012	Zou D7/608	9,215,942 B2	12/2015	Bodum
D672,238 S	12/2012	Aziz et al.	D748,472 S	2/2016	Seybel et al.
D672,609 S	12/2012	Aziz et al.	D748,955 S	2/2016	Oliver
D673,459 S	1/2013	Moran, Sr.	D751,345 S	3/2016	Lane et al.
D675,100 S	1/2013	Herbst	D751,399 S	3/2016	Lynd et al.
D675,865 S	2/2013	Wahl	D751,898 S	3/2016	D'Anglade
D676,764 S	2/2013	Moore et al.	9,272,822 B2	3/2016	Samartgis
D677,103 S	3/2013	Melzer	D754,472 S	4/2016	Munari
D677,119 S	3/2013	Ying	D755,561 S	5/2016	Eyal
D678,729 S *	3/2013	Peeters D7/608	D757,543 S	5/2016	Sorensen et al.
D678,772 S	3/2013	Johnson et al.	9,346,591 B2	5/2016	Martinengo
D679,185 S	4/2013	Brown et al.	D758,136 S	6/2016	Liotta et al.
D680,389 S	4/2013	Zemel et al.	D758,790 S	6/2016	Boroski
D682,016 S	5/2013	Knight	D758,791 S	6/2016	Hanna et al.
D682,617 S	5/2013	Miksovsky et al.	D758,804 S	6/2016	Liotta et al.
8,443,993 B1	5/2013	Desselle	D758,859 S	6/2016	Sorensen et al.
8,443,994 B1	5/2013	Desselle	D759,487 S	6/2016	Jayakaran
D684,059 S	6/2013	Johnson et al.	9,376,243 B2	6/2016	Cervený
8,459,468 B2	6/2013	Lin	D760,586 S	7/2016	Seiders et al.
D686,078 S	7/2013	Johnson et al.	D761,624 S	7/2016	McLean et al.
D688,093 S	8/2013	Roth et al.	D762,418 S	8/2016	Sorensen et al.
8,505,760 B2	8/2013	Ott	D763,076 S	8/2016	Lane et al.
8,505,787 B2	8/2013	Fox et al.	D764,916 S	8/2016	Mount, III et al.
D690,987 S	10/2013	Gallen	D767,390 S	9/2016	Miksovsky et al.
8,550,269 B2	10/2013	Lane	D772,021 S	11/2016	Joy
D693,698 S	11/2013	Miller, Jr.	D772,652 S	11/2016	Yao
8,584,902 B2	11/2013	Dejonge	D772,718 S	11/2016	Lee
D695,138 S	12/2013	Ball	9,493,274 B2	11/2016	Ledun et al.
8,613,369 B2	12/2013	Kitto	9,493,283 B2	11/2016	Tuyn
D696,945 S	1/2014	Newman	D773,250 S	12/2016	Miller
D697,404 S	1/2014	Johnson et al.	D773,938 S	12/2016	Weber
D697,802 S	1/2014	Lane	D774,826 S	12/2016	Boroski
8,622,229 B2	1/2014	Lane	9,522,770 B2	12/2016	Pichrt
D698,668 S	2/2014	Vaughn	9,532,671 B2	1/2017	Lin
D701,464 S	3/2014	Ogata et al.	D778,117 S	2/2017	Du
D702,092 S	4/2014	Mettler et al.	D778,118 S	2/2017	Du
D702,506 S *	4/2014	Mettler D7/608	D778,725 S	2/2017	Sorensen et al.
8,695,822 B2	4/2014	Kwon	9,586,733 B2	3/2017	Garza
8,701,881 B2	4/2014	Gibson et al.	D784,812 S	4/2017	Miller
8,701,924 B2	4/2014	Dalbec	D786,012 S	5/2017	Hein et al.
8,708,176 B2	4/2014	Andis	D787,893 S	5/2017	Seiders et al.
8,720,730 B2	5/2014	Bodden, Jr.	D790,913 S	7/2017	Stover et al.
8,752,720 B1	6/2014	Habig et al.	D791,542 S	7/2017	Miksovsky et al.
D708,484 S	7/2014	Bishop	9,694,953 B2	7/2017	Meyers et al.
D708,914 S	7/2014	Moran, Sr.	9,708,108 B2	7/2017	Gregory et al.
D708,954 S	7/2014	Barnes et al.	D795,008 S	8/2017	Eyal
D709,734 S	7/2014	Kotani	9,745,110 B2	8/2017	Boyer et al.
8,777,031 B2	7/2014	Aneas	9,771,189 B2	9/2017	Miksovsky et al.
D712,254 S	9/2014	Geis et al.	D799,269 S	10/2017	Vargo
D712,255 S	9/2014	Geis et al.	D799,909 S	10/2017	Partridge

US D899,871 S

D799,963 S	10/2017	Akiyama	2018/0162610 A1	6/2018	Kim
9,801,969 B2	10/2017	Griffis	2019/0039782 A1	2/2019	Campbell
D802,375 S	11/2017	Kao	2019/0047773 A1	2/2019	Bullock et al.
D802,419 S	11/2017	Seiders et al.			
D802,994 S	11/2017	Seiders et al.			
D806,465 S	1/2018	Boroski			
D806,543 S	1/2018	Finkbohner et al.			
9,919,860 B2	3/2018	Dabah et al.	CN	301110494	1/2010
9,926,115 B2	3/2018	Jung et al.	CN	201694495 U	1/2011
D814,852 S	4/2018	Melanson et al.	CN	202030152 U	11/2011
D814,930 S	4/2018	Tremayne et al.	CN	202060630 U	12/2011
D816,426 S	5/2018	Washburn et al.	CN	202287503 U	7/2012
D817,114 S	5/2018	Beckman	CN	103112651 A	5/2013
D818,775 S	5/2018	Woodruff	CN	202981686 U	6/2013
D820,039 S	6/2018	Fitzsimons	CN	102730301 B	3/2015
10,029,832 B2	7/2018	Isogai	CN	103086061 B	8/2015
10,040,593 B2	8/2018	Ross et al.	CN	103538798 A	9/2015
10,086,980 B2	10/2018	Isogai	CN	303528321	12/2015
D834,938 S	12/2018	Barnes et al.	CN	105705425 A	6/2016
D835,937 S	12/2018	Nichols	CN	303894653	10/2016
D836,387 S	12/2018	Silsby et al.	CN	303899030	10/2016
D836,388 S	12/2018	Abante et al.	CN	303902404	11/2016
D836,389 S	12/2018	Abante et al.	CN	303905254	11/2016
10,167,120 B1	1/2019	Levy et al.	CN	303905266	11/2016
10,189,619 B1	1/2019	Crawley	CN	303944047	11/2016
2002/0014498 A1	2/2002	Forsman et al.	CN	303956194	12/2016
2003/0141321 A1	7/2003	Sekendur	CN	303965272	12/2016
2003/0155323 A1	8/2003	Ekkert	CN	303965286	12/2016
2004/0016715 A1	1/2004	Strikovic	CN	303965392	12/2016
2004/0201224 A1	10/2004	Chang	CN	303965400	12/2016
2004/0206721 A1	10/2004	Swanberg et al.	CN	303966239	12/2016
2005/0274741 A1	12/2005	Cho	CN	303974938	12/2016
2006/0180585 A1	8/2006	Cunningham et al.	CN	303984407	12/2016
2007/0108153 A1	5/2007	Weist	CN	303984493	12/2016
2007/0199914 A1	8/2007	Hung	CN	304011213	1/2017
2007/0251956 A1	11/2007	Wasserman et al.	CN	304011214	1/2017
2008/0142466 A1	6/2008	Balitski	CN	205998332 U	3/2017
2008/0230506 A1	9/2008	Lantz et al.	CN	108313494 A	7/2018
2009/0084752 A1	4/2009	Coulson	CN	107224167 B	8/2018
2009/0101644 A1	4/2009	Maiwald et al.	CN	108394633 A	8/2018
2010/0012615 A1	1/2010	Brooks	CN	106458394 B	10/2018
2010/0089151 A1	4/2010	Mantilla et al.	CN	105050907 B	12/2018
2010/0200602 A1	8/2010	Chan	CN	105358441 B	12/2018
2010/0215294 A1	8/2010	Berman	CN	108945789 A	12/2018
2010/0237078 A1	9/2010	Lentz et al.	DE	2233565 A1	6/1973
2011/0056386 A1	3/2011	Taketani	DE	2226556 B2	8/1977
2011/0186585 A1	8/2011	Lu	DE	3514261 A1	1/1986
2011/0198352 A1	8/2011	Lown et al.	DE	29611746 U1	11/1997
2012/0074143 A1	3/2012	Lin	DE	29912668 U1	12/1999
2012/0199548 A1	8/2012	Kitto	DE	102014011506 B3	7/2015
2013/0136382 A1	5/2013	Barron	DK	402016101176-0008	11/2016
2013/0306642 A1	11/2013	Dabah et al.	DK	402016101176-0010	11/2016
2014/0069917 A1	3/2014	Meyers et al.	EM	003528504-0004	12/2016
2014/0251938 A1	9/2014	Rose et al.	EM	004539732-0003	12/2017
2014/0312077 A1	10/2014	Tajima et al.	EP	1693310 A1	8/2006
2014/0353275 A1	12/2014	Hung	EP	1934106 A1	6/2011
2015/0191293 A1	7/2015	Forcella	EP	2457842 B1	5/2015
2015/0251812 A1	9/2015	Gillie	EP	3066018 A4	11/2016
2015/0314929 A1	11/2015	Tebbe et al.	EP	2851311 B1	6/2018
2015/0374151 A1	12/2015	Lin	EP	3157833 A	8/2018
2016/0159538 A1	6/2016	Michie	EP	2796078 B1	10/2018
2016/0167852 A1	6/2016	Moradi	EP	3398484 A1	11/2018
2016/0176587 A1	6/2016	Heraud	EP	3398871 A1	11/2018
2016/0256359 A1	9/2016	Trawick et al.	FR	1359912 A	4/1964
2016/0318693 A1	11/2016	Hein et al.	FR	2521957 B1	10/1986
2016/0355305 A1	12/2016	Hoskins	FR	2786465	6/2000
2017/0001772 A1	1/2017	Rho	GB	729903 A	5/1955
2017/0127859 A1	5/2017	Hornung et al.	GB	2114959 B	7/1985
2017/0144811 A1	5/2017	Wohlgenannt	JP	H02-052759 U	4/1990
2017/0158398 A1	6/2017	Shively	JP	H03159974 U	7/1991
2017/0158412 A1	6/2017	Seiders et al.	JP	H08-0117119 A	5/1996
2017/0354289 A1	12/2017	Marina et al.	JP	2001315831 A	11/2001
2018/0029762 A1	2/2018	Eyal	JP	2003125912 A	5/2003
2018/0050845 A1	2/2018	Chin et al.	JP	2008162679 A	7/2008
2018/0105346 A1	4/2018	Tolman et al.	JP	1363566	6/2009
2018/0118427 A1	5/2018	Lee et al.	JP	2010280402 A	12/2010
2018/0134457 A1	5/2018	Mutterle et al.	JP	1530358	8/2015
2018/0141722 A1	5/2018	Langelaan	JP	2016141412 A	8/2016
2018/0162608 A1	6/2018	Kim	JP	6408837 B2	10/2018
			JP	6409250 B1	10/2018

FOREIGN PATENT DOCUMENTS

JP	2019001538	A	1/2019
KR	200169857	Y1	2/2000
KR	300295354		4/2002
KR	300303813.0000		8/2002
KR	300764889.0000		10/2014
KR	3020150002495		12/2015
KR	101581270	B1	1/2016
KR	300883384.0000		11/2016
KR	300884377.0000		12/2016
KR	300885455.0000		12/2016
KR	300885851.0000		12/2016
KR	300888536.0000		1/2017
KR	101785906	B1	10/2017
RU	00100680		11/2016
WO	2005028317	A2	3/2005
WO	2006023238	A2	3/2006
WO	07123365	A1	11/2007
WO	08048039	A1	4/2008
WO	14041325	A3	9/2014
WO	14184341	A1	11/2014
WO	D088688-002		1/2016
WO	16180908	A1	11/2016
WO	17097485	A1	6/2017
WO	17115193	A1	7/2017
WO	18149763	A1	8/2018
WO	2017/223093	A3	2/2019

OTHER PUBLICATIONS

Liquid Hardware, Insulated Aqua Silver Sidewinder Vacuum Bottle 20oz./592ml. Powder Coated in USA!, product description, retrieved from internet on Aug. 12, 2015, 3 pages.

Nov. 2, 2016—(WO) International Search Report and Written Opinion—App. No. PCT/US2016/047043.

Oct. 18, 2016—(JP) Office Action—App. 2016-010799, English Translation, 3 Pages.

Oct. 18, 2016—(JP) Office Action—App. 2016-010800, English Translation, 3 Pages.

YETI 36 oz. Rambler: Announced Jan. 11, 2016 [online], site visited [May 10, 2016]. Available from Internet URL: <http://yeticoolers.com/rambler-bottle-36-oz/>.

KOLD Vacuum Insulated Stainless Steel Sports Bottle: Announced Dec. 8, 2015 [online], site visited [May 11, 2016]. Available from Internet URL: <http://www.amazon.com/KOLD-Sports-Water-Bottles-Insulated/dp/B018YH K79E/ref=cm>.

“Hydro Flask Insulated Stainless Steel Water Bottle” published on Dec. 29, 2014, retrieved from http://web.archive.org/web/*/https://www.amazon.com/dp/B004X55L9I/ref=twister_B00GA03LG4?_encoding=UTF8&p=1 on Sep. 22, 2016.

“UA Beyond 18 oz. Vacuum Insulated Water Bottle” published on Mar. 29, 2015, retrieved from http://web.archive.org/web/*/https://www.underarmour.com/en-us/beyond-18-oz-vacuum-insulated-ss-bottle-with-flip-top-lid/pid1232014 on Sep. 22, 2016.

“Klean Kanteen Insulated Classic with Polypropylene” published on Jul. 7, 2015, retrieved from http://web.archive.org/web/*/https://www.lifewithoutplastic.com/store/klean-kanteen-insulated-classic-with-polypropylene-loop-cap-0-95-I-32-oz.html on Sep. 22, 2016.

“Eco Vessel 64 ounce Growler” published on Jan. 28, 2015, retrieved from http://web.archive.org/web/*/http://www.snewsnet.com/press-release/eco-vessel-launches-the-boss-insulated-growler/ on Sep. 22, 2016.

“64 oz Double-Wall Vacuum-Insulated Growler” published on Nov. 14, 2014, retrieved from https://web.archive.org/web/*/http://www.fiftyfiftybottles.com/64oz-growler/ on Sep. 22, 2016.

“2015 Boulder Insulated Water Bottle with Tea, Fruit, Ice Strainer” published on Jun. 28, 2015, retrieved from http://web.archive.org/web/*/http://www.ecovessel.com/boulder-insulated-water-bottle-with-tea-fruit-ice-strainer-20-oz/ on Sep. 22.

“KB8 20 oz. Double Wall Stainless Bottle,” published on May 22, 2015, retrieved from <https://web.archive.org/web/20150807054814/http://thermo-steel.com/work/keen-kb8> on Sep. 27, 2016.

Nov. 1, 2016—(JP) Office Action—App. 2016-9606, English Translation, 2 Pages.

Oct. 4, 2016—(JP) Office Action—App 2016-9607, English Translation, 2 pages.

Oct. 4, 2016—(JP) Office Action—App. 2016-9608, English Translation, 2 Pages.

First Look: YETI Rambler One Gallon ‘Jug’ Review. Found online Jun. 12, 2017 at gearjunkie.com. Page dated May 2, 2017. Retrieved from <https://gearjunkie.com/yeti-rambler-one-gallon-jug-review>.

“Lifefactory Water Bottle with Flip Cap”. Found online Oct. 26, 2016 at amazon.com. Page dated Jan. 21, 2012. Retrieved from https://www.amazon.com/Lifefactory-22-Ounce-BPA-Free-Bottle-Silicone/dp/B01JHJYOI/ref=pd_day0_79_22?_encoding=UTF8&refRID=YW47QZQ73YFSYXXEHXG2.

“Igloo Sport Beverage Cooler”. Found online Jun. 7, 2017 at amazon.com. Page dated Mar. 9, 2013. Retrieved from https://www.amazon.com/Igloo-Beverage-Cooler-Majestic-2-Gallon/dp/B0088AYPOG/ref=cm_cr_ar_p_d_product_top?ie=UTF8.

“Klear Loop Cap Hangle Lids for Klear Bottle and Hydro Flask”. Found online Jun. 7, 2017 at amazon.com. Page dated Jul. 4, 2016. Retrieved from https://www.amazon.com/Klear-Handle-Bottle-Hydro-Flask/dp/B01EXKSRLQ/ref=cm_cr_ar_p_d_product_top?ie=UTF8. Rambler Jug Mount. Online, published date unknown. Retrieved on Jan. 2, 2018 from URL: <https://www.yeti.com/accessories/rambler-jug-mount!YRAMJM.html>.

AVEX, “40oz. 3Sixty Pour Stainless Steel Thermal Bottle”, Accessed May 18, 2017. <http://www.avexoutdoor.com/3sixty-pour-realtree-thermal-bottle.html>.

Jan. 29, 2018—(WO) Invitation to Pay Additional Fees and Partial International Search Report—App. No. PCT/US2017/057010—13 pages.

Mar. 27, 2018—(WO) International Search Report and Written Opinion—App. No. PCT/US2017/057010—19 pages.

YETI Rambler Vacuum Insulated Stainless Steel One Gallon Jug with MagCap. Found online Jun. 12, 2017 at amazon.com. Page dated May 30, 2017. Retrieved from <https://www.amazon.com/YETI-Rambler-Vacuum-Insulated-Stainless/dp/B071HTJ4Q8>.

“Klean Kanteen Stainless Unibody Bamboo Cap”. Found online Jun. 12, 2018 at amazon.com. Page dated Sep. 10, 2012. Retrieved from https://www.amazon.com/Klean-Kanteen-Stainless-Unibody-Bamboo/dp/B0083FOSDI/ref=cm_cr_ar_p_d_product_top?ie=UTF8.

“Takeya ThermoFlask”. Found online Jun. 9, 2018 at amazon.com. Page dated Apr. 15, 2016. Retrieved from https://www.amazon.com/Takeya-ThermoFlask-Pack-Back-Silver/dp/B01D7NIOWW/ref=cm_cr_ar_p_d_product_top?ie=UTF8.

“Twitter: h2go elevate and h2go inspire: same lid stlye, different body typw”. Found online Jun. 12, 2018 at twitter.com. Page dated Jan. 21, 2015. Retrieved from <https://twitter.com/etsexpress/status/557997114589196288>.

“Thermos Stainless King 60 Ounce Vacuum Insulated Beverage Bottle.” Found online Jul. 13, 2018 at www.amazon.com. Page dated Aug. 15, 2015. Retrieved from URL: <https://www.amazon.com/Thermos-Stainless-Insulated-Beverage-Midnight/dp/B008YB4V52> (Year: 2015).

“Stanley Classic Vacuum Bottle.” Found online Jul. 13, 2018 at www.amazon.com. Page dated Nov. 30, 2014. Retrieved from URL: <https://tinyurl.com/y8nnytm9> (Year: 2014).

* cited by examiner

Primary Examiner — Terry A Wallace

(74) *Attorney, Agent, or Firm* — Banner & Witcoff, Ltd.

(57)

CLAIM

The ornamental design for a jug, as shown and described.

DESCRIPTION

FIG. 1 is a top, front, left perspective view of a jug showing our new design;

FIG. 2 is a front view thereof;

FIG. 3 is a rear view thereof;

FIG. 4 is a right side view thereof;
FIG. 5 is a left side view thereof;
FIG. 6 is a top view thereof; and,
FIG. 7 is a bottom view thereof.

The pairs of jagged lines are shown broken away to disclose indeterminate length, the portions of the design that may be visible between such jagged lines have been removed for clarity and the remaining even-length broken lines are directed to environment only, none of the even-length broken lines form a part of the claimed design.

1 Claim, 6 Drawing Sheets

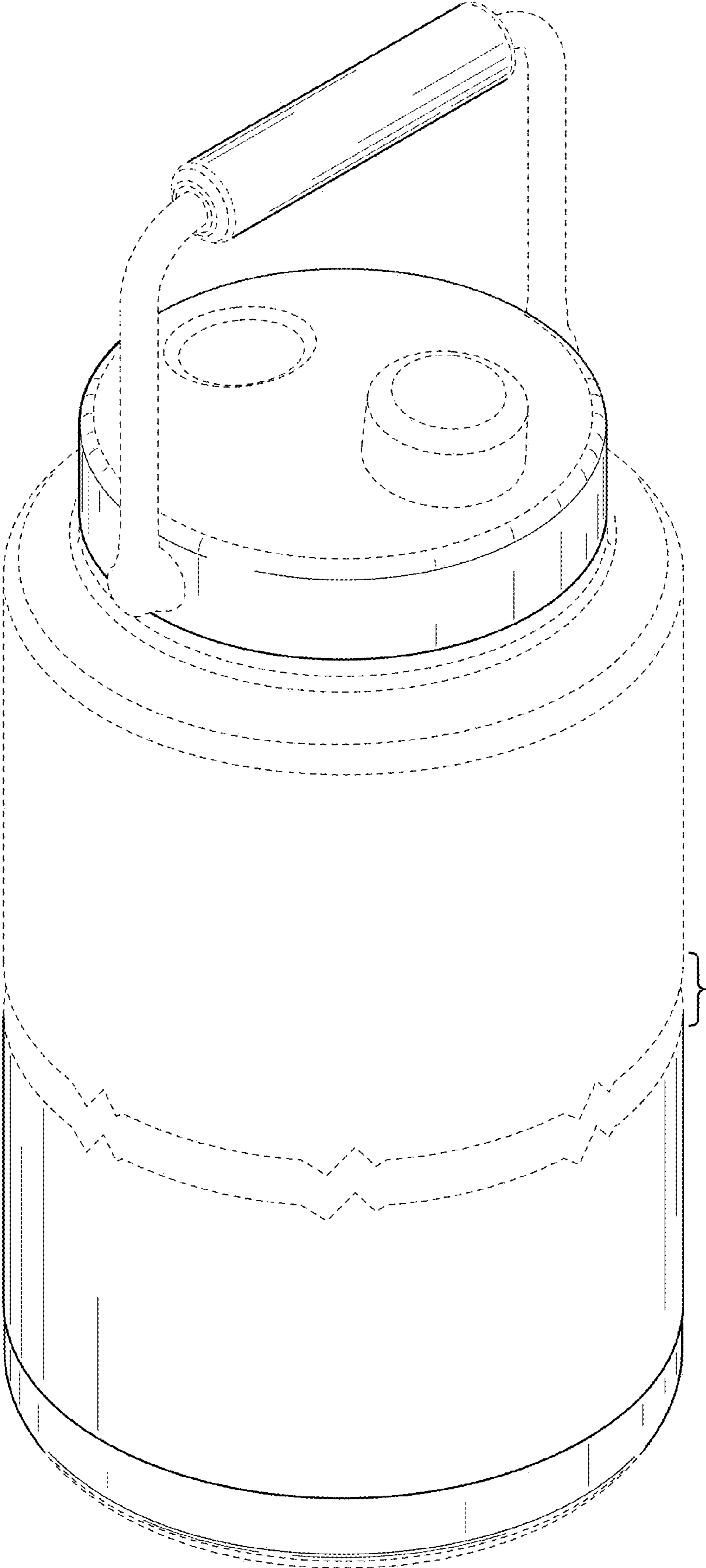


FIG. 1

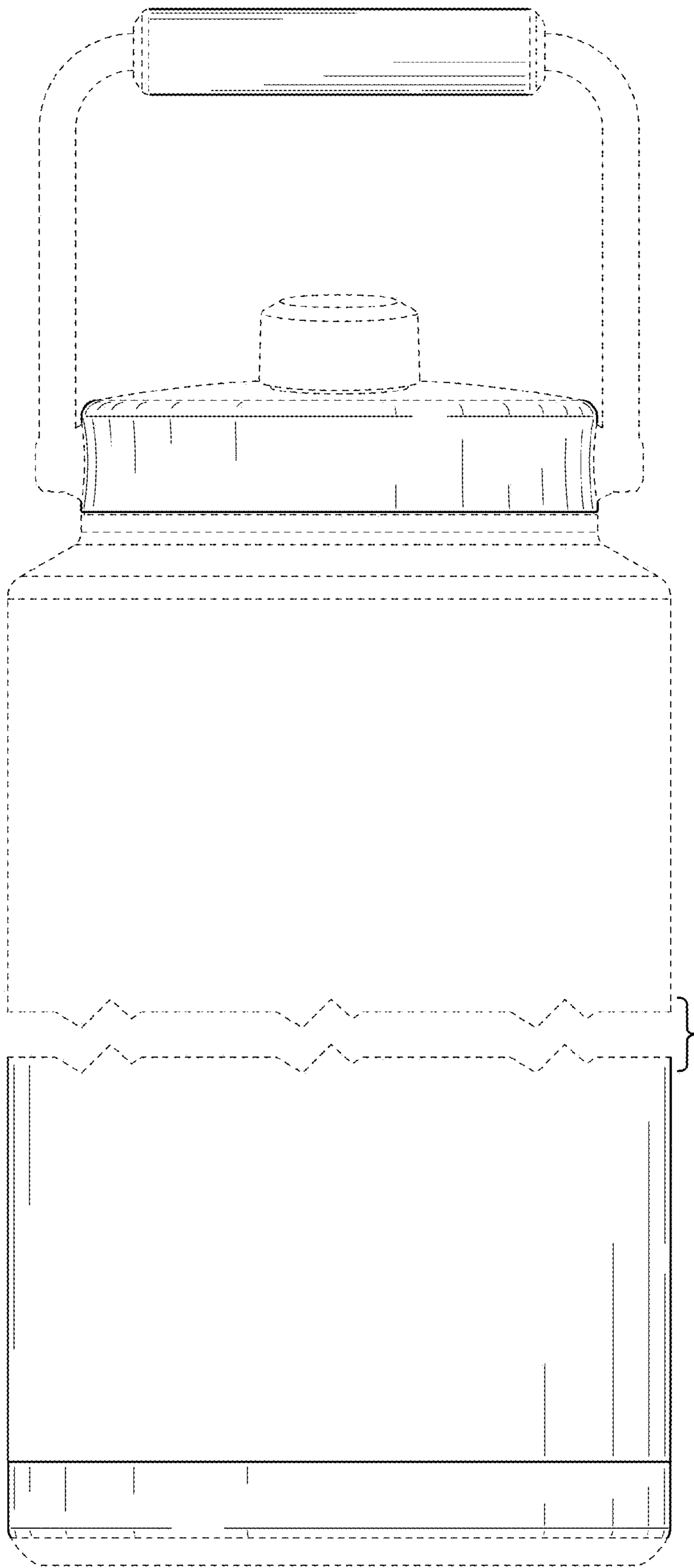


FIG. 2

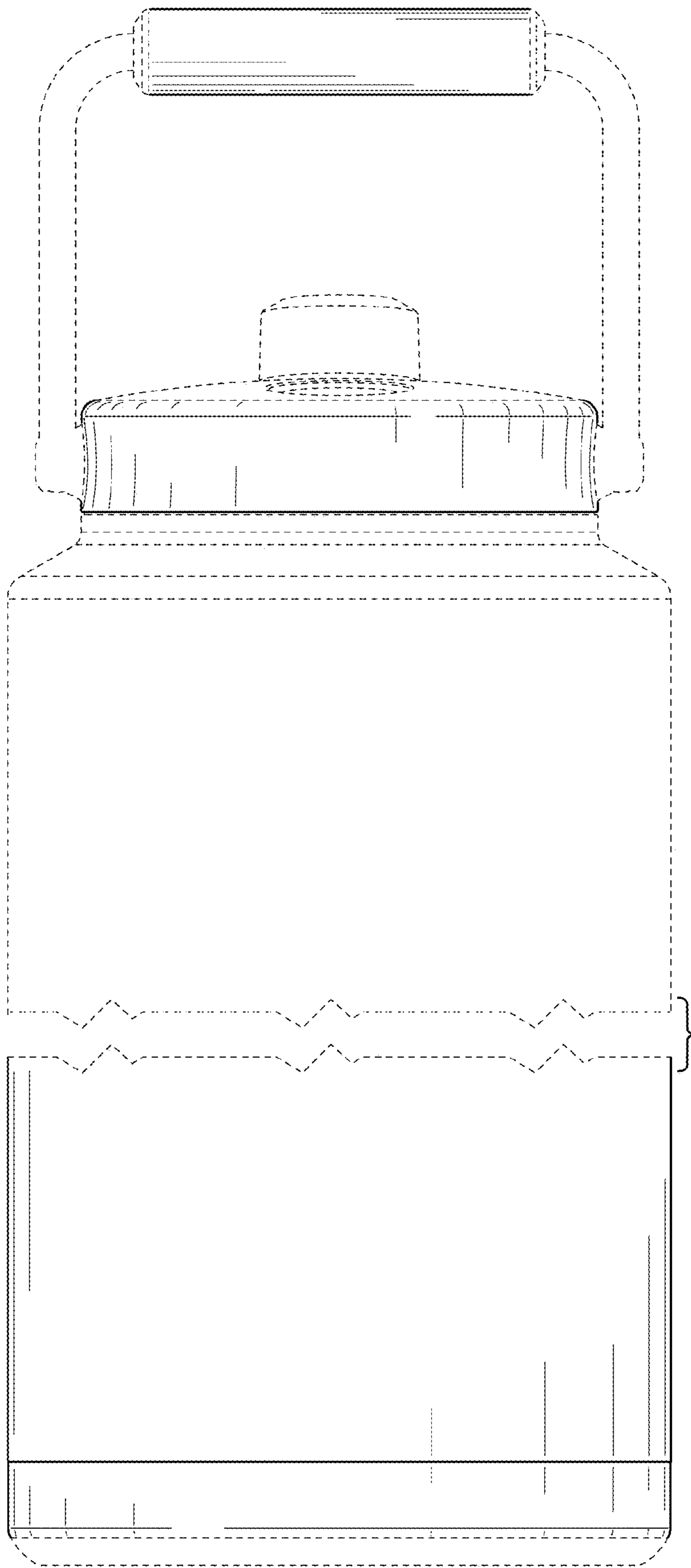


FIG. 3

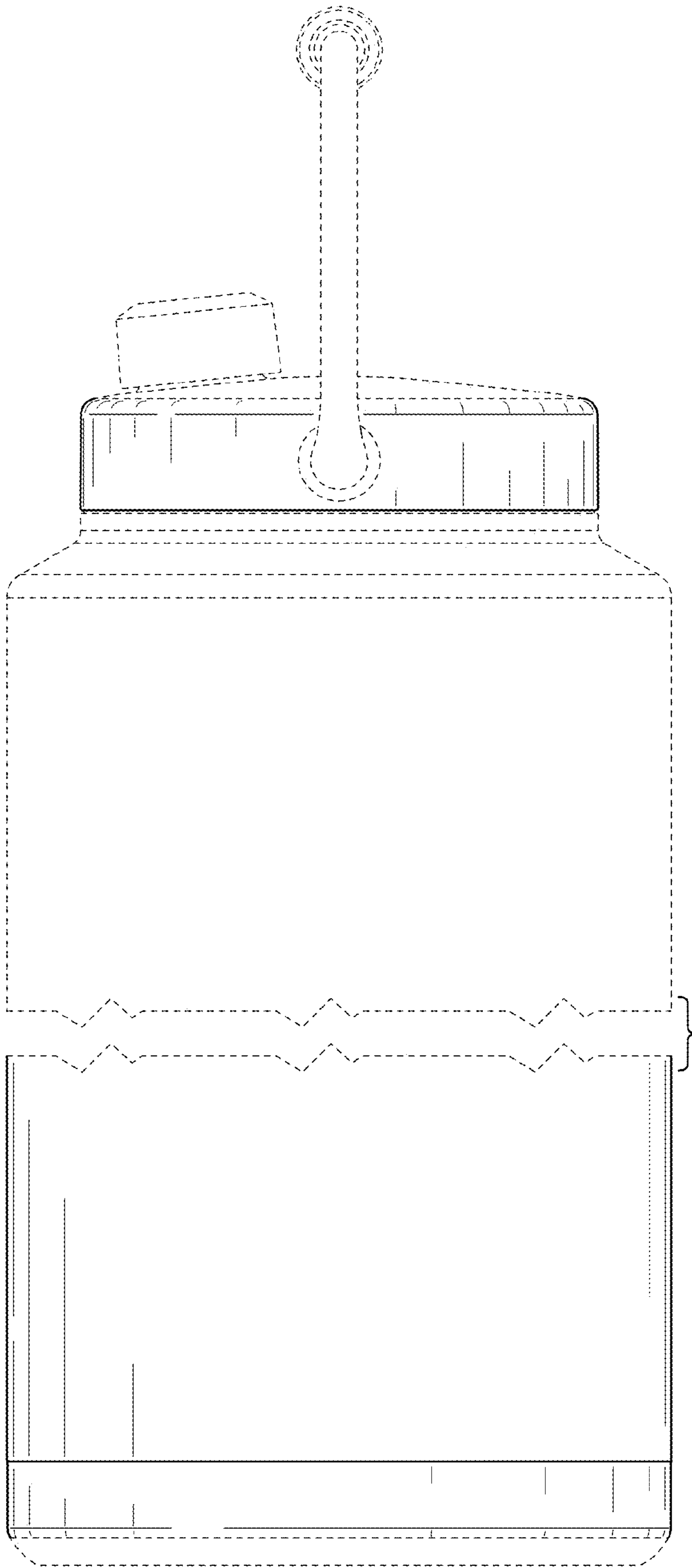


FIG. 4

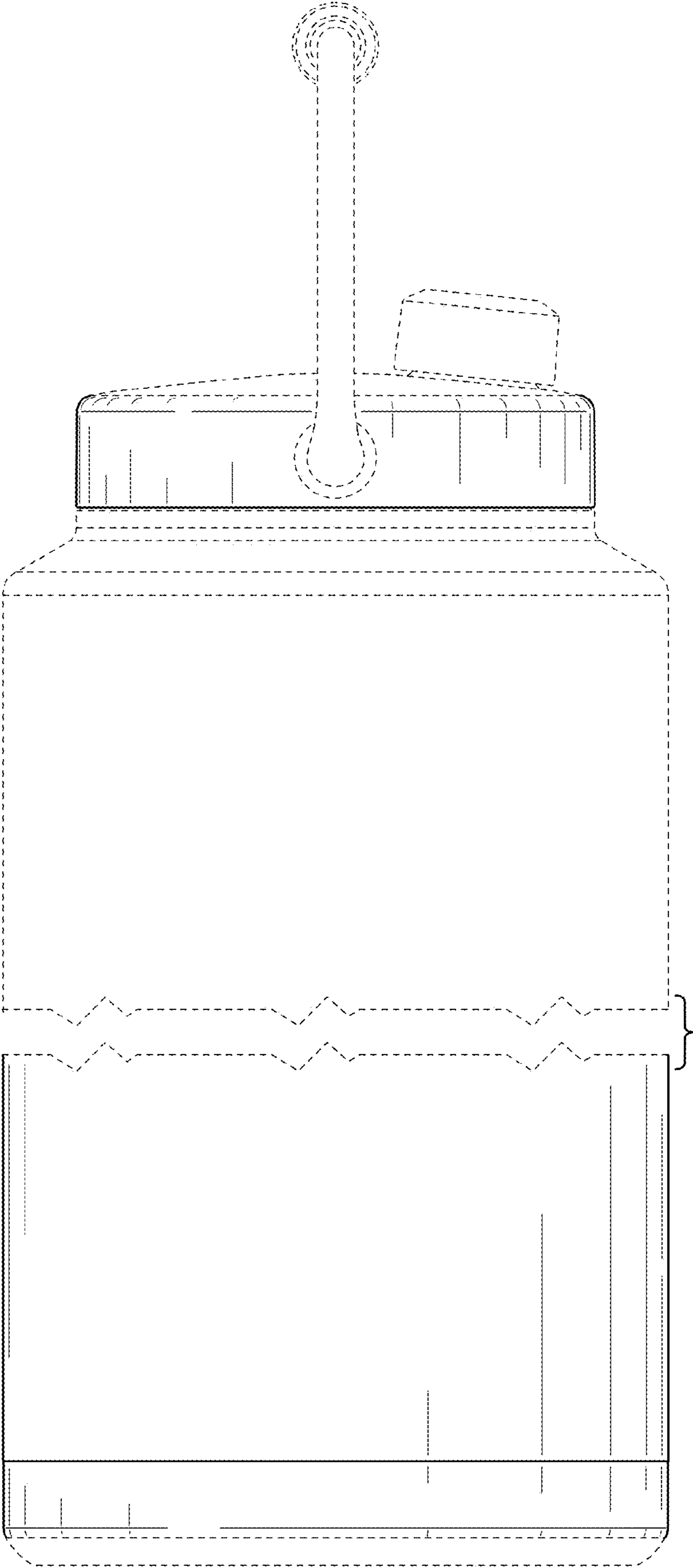


FIG. 5

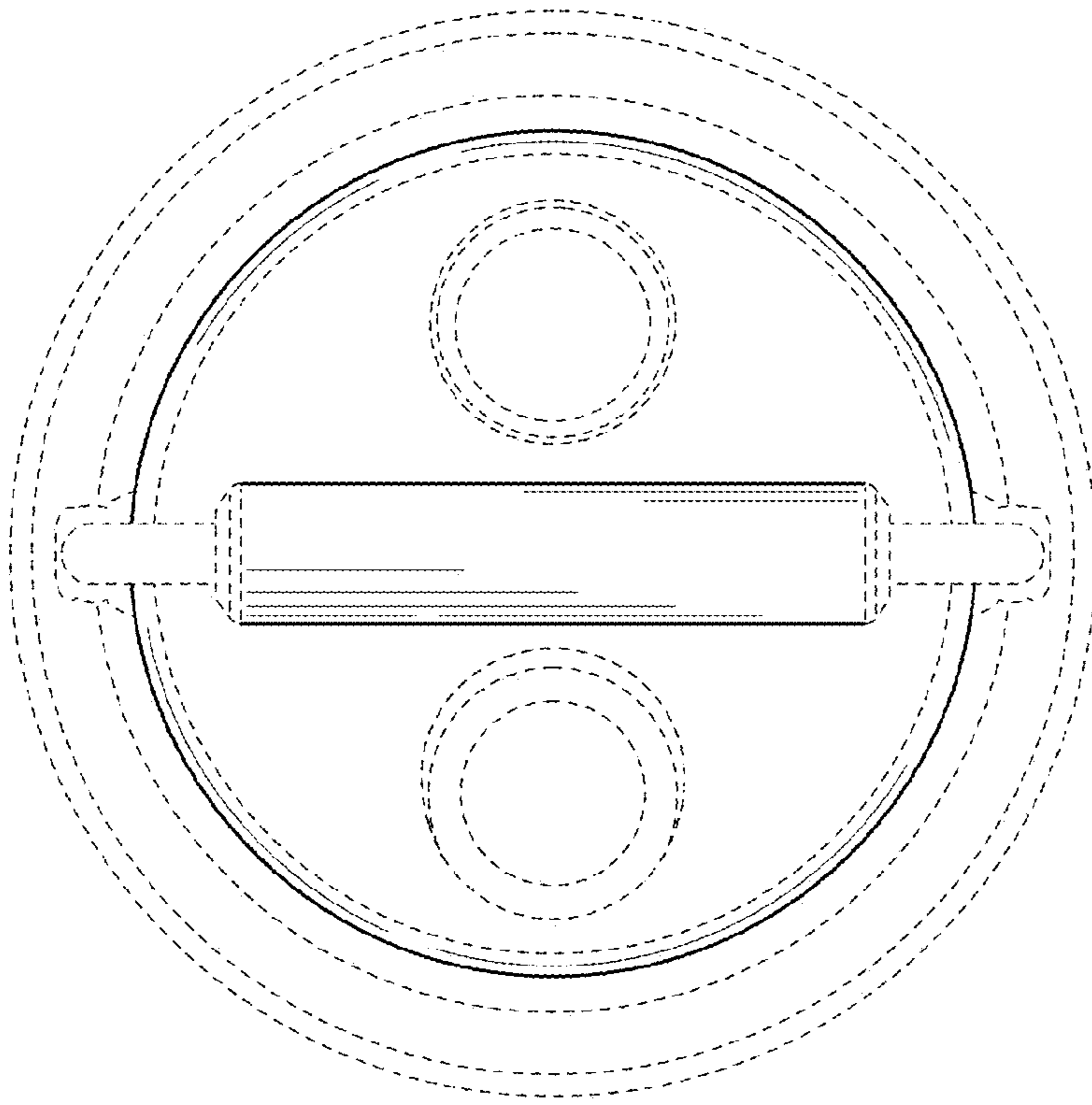


FIG. 6

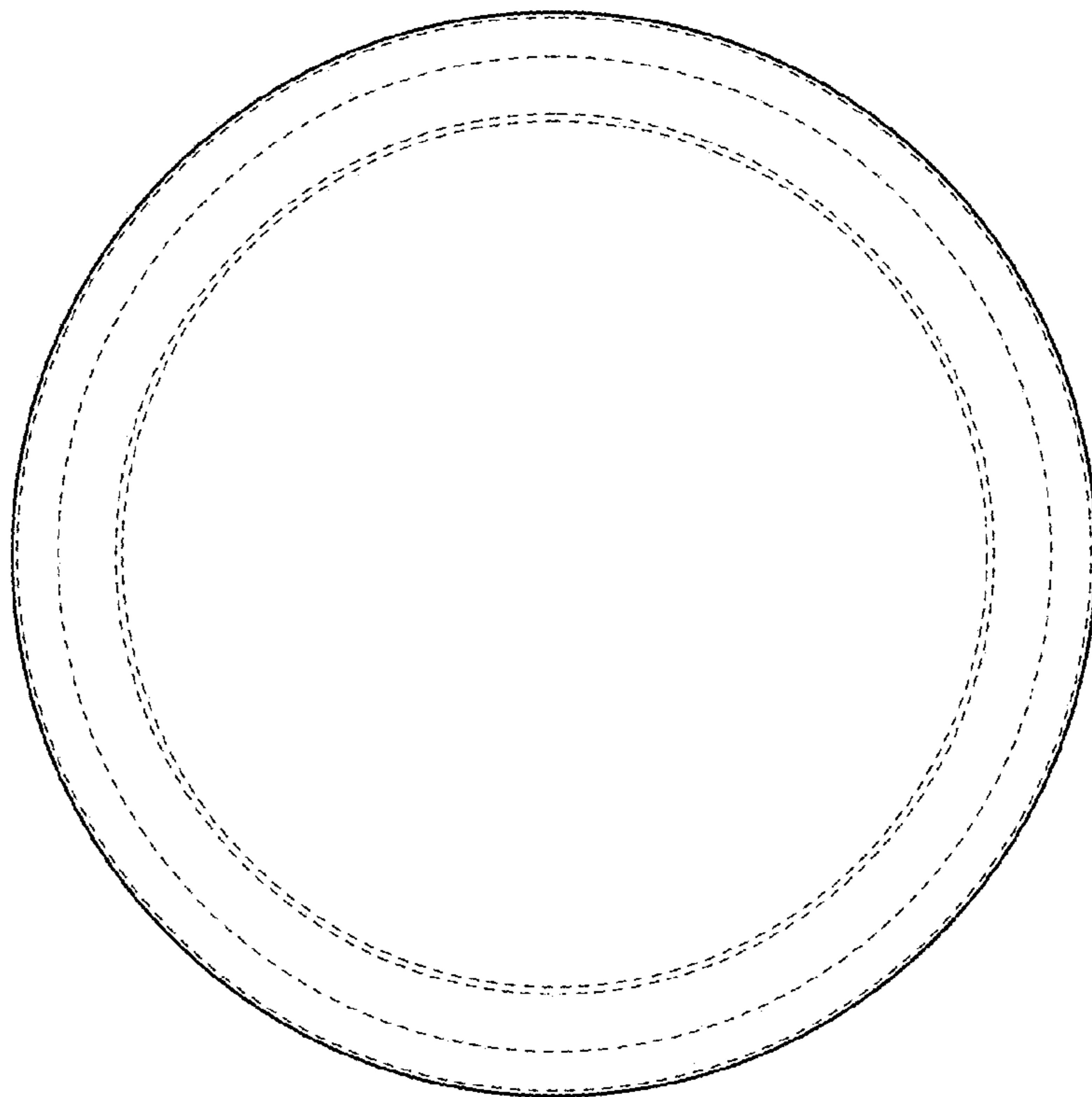


FIG. 7

UNITED STATES PATENT AND TRADEMARK OFFICE
CERTIFICATE OF CORRECTION

PATENT NO. : D899,871 S
APPLICATION NO. : 29/725024
DATED : October 27, 2020
INVENTOR(S) : Seiders et al.

Page 1 of 1

It is certified that error appears in the above-identified patent and that said Letters Patent is hereby corrected as shown below:

On the Title Page

Column 1, Item (63) Related U.S. Application Data, Line 4:

Delete "854,217," and insert --824,217,--

Page 5, Column 2, Item (56) Other Publications, Line 33:

Delete "20177" and insert --2017--

Page 5, Column 2, Item (56) Other Publications, Line 45:

Delete "stlye," and insert --style,--

Page 5, Column 2, Item (56) Other Publications, Line 46:

Delete "typw"" and insert --type"--

Signed and Sealed this
Twenty-seventh Day of April, 2021



Drew Hirshfeld
*Performing the Functions and Duties of the
Under Secretary of Commerce for Intellectual Property and
Director of the United States Patent and Trademark Office*