



US00D899869S

(12) **United States Design Patent** (10) **Patent No.:** **US D899,869 S**
Bullock et al. (45) **Date of Patent:** **** Oct. 27, 2020**

- (54) **CONTAINER**
- (71) Applicant: **YETI Coolers, LLC**, Austin, TX (US)
- (72) Inventors: **Dustin Bullock**, Austin, TX (US); **John Loudenslager**, Austin, TX (US); **John Fritz**, Austin, TX (US); **Michael Cieszko**, Austin, TX (US); **Andrew J. Winterhalter**, Austin, TX (US)
- (73) Assignee: **YETI Coolers, LLC**, Austin, TX (US)
- (**) Term: **15 Years**
- (21) Appl. No.: **29/718,932**
- (22) Filed: **Dec. 30, 2019**

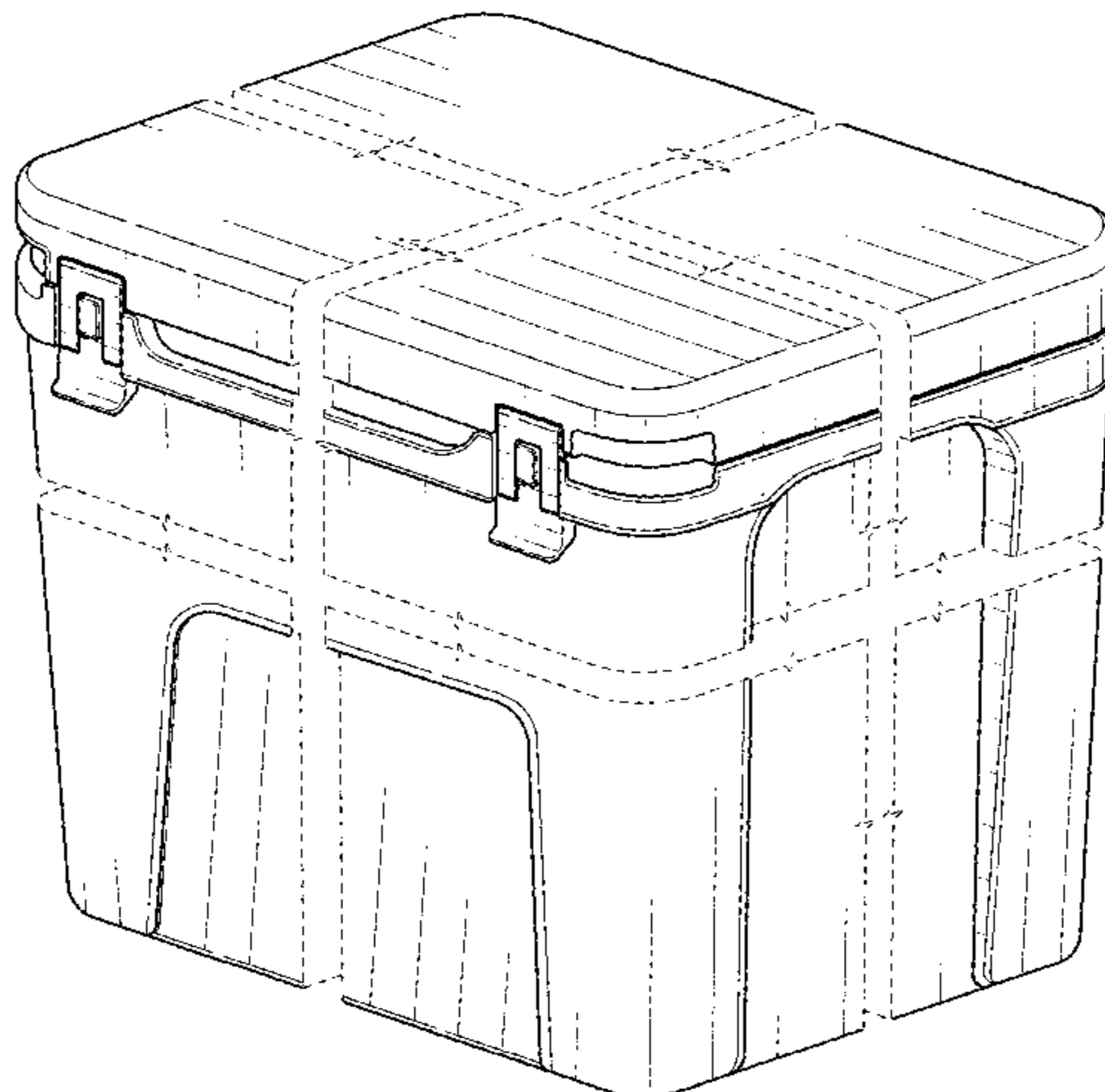
Related U.S. Application Data

- (63) Continuation of application No. 16/218,089, filed on Dec. 12, 2018.
- (51) **LOC (12) Cl.** **07-01**
- (52) **U.S. Cl.**
USPC **D7/605**
- (58) **Field of Classification Search**
USPC D7/605-608, 629, 630; D3/272-274
CPC .. A45C 11/20; A45C 5/14; A45C 5/03; A45C 9/00; A47B 77/08; A47G 19/2288; B26B 3/003; F25B 19/00; F25D 3/08; F25D 3/12; F25D 3/02; F25D 3/14; F25D 2331/804; F25D 2400/08; F25D 31/005; B65D 81/3858; B65D 81/3823; B65D 81/3813; B65D 81/3888; B65D 81/3816; B65D 81/3834; B65D 43/164; B65D 43/22; B65D 43/24; B65D 43/16; B65D 45/20; E05C 19/12; E05C 19/14
See application file for complete search history.

2,706,895 A	4/1955	Thompson et al.
2,803,368 A	8/1957	Koch
2,850,885 A	9/1958	Mohr et al.
2,856,092 A	10/1958	Knapp
3,035,733 A	5/1962	Knapp
3,414,160 A	12/1968	Weber
4,143,695 A	3/1979	Hoehn
4,162,029 A	7/1979	Gottsegen et al.
4,351,165 A	9/1982	Gottsegen et al.
4,368,819 A	1/1983	Durham
4,459,827 A	7/1984	Rhodes
4,484,682 A	11/1984	Crow
4,537,044 A	8/1985	Putnam
4,592,482 A	6/1986	Seager
4,623,076 A	11/1986	Karpal
4,648,512 A	3/1987	Tarozzi et al.
4,802,344 A	2/1989	Livingston et al.
4,846,493 A	7/1989	Mason
4,858,444 A	8/1989	Scott
4,873,841 A	10/1989	Bradshaw et al.
4,939,912 A	7/1990	Leonovich, Jr.
D311,476 S *	10/1990	Kumakura D7/605
4,988,216 A	1/1991	Lyman
5,007,250 A	4/1991	Musielak
5,024,359 A	6/1991	Thomas
5,044,513 A	9/1991	Van Berne
5,050,767 A	9/1991	Peer
D324,165 S	2/1992	Bressler et al.
5,095,718 A	3/1992	Ormond et al.
5,169,018 A	12/1992	Fiore
5,184,477 A	2/1993	Brown et al.
D333,775 S	3/1993	Krape
5,213,381 A	5/1993	Anderson
5,249,438 A	10/1993	Rhaney et al.
5,251,460 A	10/1993	DeMarco et al.
5,251,542 A	10/1993	Itoh et al.
5,259,215 A	11/1993	Rocca
5,284,294 A	2/1994	Floyd
5,295,365 A	3/1994	Redford
5,313,817 A	5/1994	Meinders
5,319,937 A	6/1994	Fritsch et al.
5,329,787 A	7/1994	Friday
5,350,081 A	9/1994	Graham
5,363,977 A	11/1994	Hoff
5,373,708 A	12/1994	Dumoulin, Jr.
5,400,610 A	3/1995	Macedo
5,403,095 A	4/1995	Melk
5,423,426 A	6/1995	Harper
5,447,041 A	9/1995	Piechota
5,460,285 A	10/1995	Harding, Sr.
5,562,228 A	10/1996	Ericson
5,626,373 A	5/1997	Chambers et al.
5,738,238 A	4/1998	Yang

(56) **References Cited**
U.S. PATENT DOCUMENTS

1,004,688 A	10/1911	Hunt
2,555,126 A	5/1951	Greve
2,652,698 A	9/1953	Schlumbohm



US D899,869 S

5,740,940 A	4/1998	Weiss	8,544,648 B2 *	10/2013	Cleveland	B65D 21/0223
5,845,515 A	12/1998	Nelson				206/503
5,860,281 A	1/1999	Coffee et al.	8,544,670 B2	10/2013	Brilmyer	
5,865,037 A	2/1999	Bostic	8,562,520 B2	10/2013	Rockrohr	
5,913,448 A	6/1999	Mann et al.	8,573,002 B2	11/2013	Ledoux et al.	
5,944,205 A	8/1999	LaJoie et al.	8,590,724 B2	11/2013	Kreidler et al.	
5,971,218 A	10/1999	Le	8,596,485 B2	12/2013	Lindsay	
6,067,813 A	5/2000	Smith	8,622,235 B2	1/2014	Suchecki	
6,092,661 A	7/2000	Mogil	8,622,279 B2	1/2014	Barnett	
6,158,745 A	12/2000	Deighton	8,678,024 B2	3/2014	Freiler	
6,176,499 B1	1/2001	Conrado et al.	8,701,928 B2	4/2014	Samson	
6,192,703 B1	2/2001	Salyer et al.	D707,100 S	6/2014	Kinsky et al.	
6,193,097 B1	2/2001	Martin Perianes et al.	8,740,010 B1	6/2014	Page	
6,199,570 B1	3/2001	Patarra	8,746,498 B2	6/2014	Maldonado et al.	
6,244,066 B1	6/2001	LaRose	8,794,469 B2	8/2014	Bratsch	
6,244,458 B1	6/2001	Frysinger et al.	8,887,515 B2	11/2014	Patstone	
6,296,134 B1	10/2001	Cardinale	8,939,315 B2	1/2015	Pillow et al.	
6,296,165 B1	10/2001	Mears	8,944,476 B1	2/2015	Henderson	
6,305,547 B1	10/2001	Curran	8,967,419 B2	3/2015	Gerber et al.	
6,336,577 B1	1/2002	Harris et al.	8,979,073 B2	3/2015	Lykins et al.	
6,398,272 B1	6/2002	Plummer et al.	8,979,144 B2	3/2015	Paugh et al.	
6,409,066 B1	6/2002	Schneider et al.	9,027,722 B1	5/2015	Parker	
6,427,886 B1	8/2002	Essex	9,052,025 B2	6/2015	Zinn et al.	
6,457,750 B1	10/2002	Sokurenko et al.	9,091,477 B2	7/2015	Magnus	
6,484,880 B1	11/2002	Shaeffer	D739,302 S	9/2015	Nilsen et al.	
6,622,881 B2	9/2003	Hardigg	9,126,747 B2	9/2015	Burgess et al.	
D482,241 S	11/2003	Tyler	9,132,598 B2	9/2015	Ernst	
6,698,608 B2	3/2004	Parker et al.	9,139,352 B2	9/2015	Seiders et al.	
6,736,309 B1	5/2004	Westerman et al.	9,140,476 B2	9/2015	Eckhoff et al.	
6,739,150 B2	5/2004	Mompo Garcia	9,163,871 B1	10/2015	Costello	
D491,440 S	6/2004	Pfeiffer et al.	D744,810 S	12/2015	Pittman	
D492,184 S	6/2004	Parker et al.	9,199,782 B1	12/2015	Cliatt	
6,789,692 B2	9/2004	Prezelin	D747,950 S	1/2016	Jacobsen et al.	
6,789,693 B2	9/2004	Lassiter	D747,951 S	1/2016	Jacobsen et al.	
6,955,381 B2	10/2005	Parker et al.	D748,452 S	2/2016	Jacobsen et al.	
6,976,370 B2	12/2005	Fiene	9,260,129 B2	2/2016	Thompson	
6,993,931 B1	2/2006	Hamilton	9,265,318 B1	2/2016	Williams et al.	
7,013,671 B1	3/2006	Bolda	D750,953 S	3/2016	Jacobsen et al.	
7,066,347 B2	6/2006	Slovak et al.	9,271,553 B2	3/2016	Ponx	
D528,368 S *	9/2006	Maldonado	9,271,595 B2	3/2016	Lee	D7/605
7,128,369 B2	10/2006	Boggs et al.	9,278,704 B2	3/2016	Cates	
7,147,125 B1	12/2006	Slovak et al.	9,282,797 B1	3/2016	Soto	
7,243,676 B2	7/2007	Bailey	9,296,543 B2	3/2016	Wooldridge et al.	
D548,565 S	8/2007	Vickers	9,310,118 B2	4/2016	Zavitsanos	
7,313,927 B2	1/2008	Barker	9,320,938 B1	4/2016	Belmore	
7,328,818 B2	2/2008	Prabucki	9,341,275 B2	5/2016	Peck et al.	
7,344,028 B2	3/2008	Hanson	D759,590 S	6/2016	Wang	
7,357,709 B2	4/2008	Zukor et al.	9,389,010 B1	7/2016	Booker, Sr.	
7,360,784 B2	4/2008	Stewart et al.	9,414,893 B2	8/2016	Jacobson	
7,389,608 B1	6/2008	MacKay	9,415,787 B2	8/2016	Mericle	
7,412,846 B2	8/2008	Sekiya et al.	9,462,796 B1	10/2016	Ellis et al.	
7,461,871 B2	12/2008	Vauchel	9,550,508 B1	1/2017	Parra	
7,540,364 B2	6/2009	Sanderson	9,578,938 B1	2/2017	Verneuille	
D598,194 S	8/2009	Turvey et al.	9,616,910 B2	4/2017	Chaloux et al.	
7,597,478 B2	10/2009	Pruchnicki et al.	9,648,990 B1	5/2017	Corney	
7,621,417 B2	11/2009	Peterson et al.	9,668,510 B2	6/2017	Doman	
7,658,213 B1	2/2010	Anderson et al.	9,669,986 B1	6/2017	Evans	
7,677,406 B2	3/2010	Maxson	9,676,522 B1	6/2017	Stovall	
7,677,580 B2	3/2010	Vanderberg et al.	9,718,070 B2	8/2017	Arminak et al.	
7,726,880 B2	6/2010	Zimmerman et al.	9,726,415 B1	8/2017	Spalti	
7,735,334 B2	6/2010	Johnson	9,738,296 B2	8/2017	McBeth	
7,806,271 B1	10/2010	Kraska	9,809,357 B2	11/2017	Arnold et al.	
7,837,053 B2	11/2010	Arnett et al.	9,849,901 B2	12/2017	Jackman	
7,841,635 B2	11/2010	Fuchs	9,857,119 B2	1/2018	Keenan	
7,874,743 B2	1/2011	Berkey et al.	9,878,841 B2	1/2018	Holderness et al.	
7,905,243 B2	3/2011	Minard et al.	9,888,977 B2	2/2018	Thomas et al.	
8,016,153 B2	9/2011	Boenig et al.	9,956,978 B1	5/2018	Worley	
8,052,004 B2	11/2011	Cheng et al.	9,976,789 B2	5/2018	Grepper	
8,123,236 B1	2/2012	Helenihi	D820,049 S	6/2018	Ahlstrom et al.	
8,152,367 B2	4/2012	Roberts et al.	9,989,299 B1	6/2018	Ballard	
8,176,749 B2	5/2012	LaMere et al.	D826,027 S	8/2018	Carey et al.	
8,191,747 B2	6/2012	Pruchnicki	D835,472 S *	12/2018	Seiders	D7/605
8,215,518 B2	7/2012	Hyde et al.	D844,386 S	4/2019	Ahlstrom et al.	
8,251,245 B2	8/2012	DiPietro et al.	2003/0111476 A1	6/2003	Serio	
8,256,156 B1	9/2012	Burgoyne, Jr.	2003/0136702 A1	7/2003	Redzisz et al.	
8,297,464 B2	10/2012	Grenier et al.	2004/0025531 A1	2/2004	Holloman-Hughes et al.	
8,308,008 B2	11/2012	Perry et al.	2004/0144783 A1	7/2004	Anderson et al.	
8,353,418 B2	1/2013	Bork	2004/0182870 A1	9/2004	Rodgers	
8,430,284 B2	4/2013	Broadbent et al.	2004/0262319 A1	12/2004	Fisher	

US D899,869 S

2005/0082305	A1	4/2005	Dais et al.	
2005/0109776	A1*	5/2005	Camp, Jr.	A45C 11/20 220/23.86
2005/0127081	A1*	6/2005	Leba	F25D 3/08 220/761
2005/0263527	A1*	12/2005	Maldonado	A45C 13/40 220/592.2
2005/0269541	A1	12/2005	Bodum	
2005/0279124	A1	12/2005	Maldonado	
2006/0017293	A1	1/2006	Tonelli	
2006/0042897	A1*	3/2006	Sanderson	E05B 65/5276 190/120
2006/0276768	A1	12/2006	Miller et al.	
2007/0284377	A1	12/2007	Chandler	
2008/0134714	A1	6/2008	Villanueva	
2008/0145919	A1	6/2008	Franklin et al.	
2008/0164265	A1	7/2008	Conforti	
2008/0178629	A1	7/2008	Meether	
2008/0190940	A1	8/2008	Scott	
2009/0114646	A1	5/2009	Whalen	
2009/0158770	A1	6/2009	Cohrs et al.	
2009/0188736	A1	7/2009	Niddam et al.	
2009/0217699	A1	9/2009	Ball	
2009/0274398	A1	11/2009	Men	
2010/0126196	A1	5/2010	McCance	
2010/0200588	A1	8/2010	Bergman et al.	
2010/0212351	A1	8/2010	Chapin et al.	
2010/0288776	A1	11/2010	Bodum	
2011/0062157	A1	3/2011	Grimm	
2011/0127264	A1	6/2011	Whalen	
2011/0197625	A1	8/2011	Urban et al.	
2011/0215125	A1	9/2011	Lopez	
2011/0226785	A1	9/2011	Sakell	
2012/0318808	A1	12/2012	McCormick	
2013/0043250	A1	2/2013	Kreidler et al.	
2014/0226920	A1	8/2014	Passavia	
2014/0252010	A1	9/2014	Miller	
2015/0008242	A1	1/2015	Kpabar, Jr.	
2015/0047635	A1	2/2015	Poree	
2015/0136796	A1	5/2015	Muehlhauser	
2015/0300721	A1	10/2015	Rigoli	
2015/0345853	A1	12/2015	Oeyen	
2015/0375918	A1*	12/2015	Holderness	B65D 83/00 222/566
2016/0031617	A1	2/2016	Faucheaux, Jr. et al.	
2016/0073751	A1	3/2016	Charlebois et al.	
2016/0113131	A1	4/2016	Ernesti et al.	
2016/0135559	A1	5/2016	Scally	
2016/0244239	A1	8/2016	Nash	
2017/0020256	A1	1/2017	Jankura et al.	
2017/0055665	A1	3/2017	Lanzisera	
2017/0101301	A1	4/2017	Volin	
2017/0156525	A1	6/2017	Guy et al.	
2017/0159989	A1	6/2017	Bodnar	
2017/0197765	A1*	7/2017	Hu	B65D 25/2852
2017/0254578	A1	9/2017	Kriesel	
2017/0259956	A1	9/2017	Hori et al.	
2017/0292756	A1	10/2017	Fenko et al.	
2017/0305638	A1	10/2017	Sonntag et al.	
2017/0313492	A1	11/2017	Seiders et al.	
2017/0320653	A1	11/2017	Mogil et al.	
2017/0343247	A1	11/2017	Ahmed et al.	
2018/0003425	A1	1/2018	Goodloe	
2018/0015938	A1	1/2018	DeFrancia	
2018/0016068	A1	1/2018	Valencia	
2018/0087819	A1	3/2018	Triska et al.	
2018/0127007	A1	5/2018	Kravchenko	
2018/0132586	A1	5/2018	Flaherty	
2018/0141718	A1*	5/2018	Ahlstrom	B65D 25/2841
2018/0186547	A1*	7/2018	Morine	F25D 3/08
2018/0354687	A1*	12/2018	Seiders	E05B 65/5207
2019/0048631	A1	2/2019	Li	
2019/0152677	A1	5/2019	Hoyt	

2019/0161240	A1	5/2019	Ahlstrom et al.
2019/0217999	A1	7/2019	Wood
2019/0315538	A1	10/2019	Cheng

FOREIGN PATENT DOCUMENTS

BE	463027	A	3/1946
CA	152932	A	1/1914
CN	106246966	A	12/2016
CN	304286831		9/2017
DE	8229359	U1	12/1982
DE	102010054187	A1	6/2012
DE	202017006895	U1	9/2018
EP	1700551	A2	9/2006
EP	2135816	A1	12/2009
EP	2852505	A1	4/2015
EP	2861899	A1	4/2015
GB	1818		4/1909
GB	2045135	A	2/1996
GB	2095684		11/2000
GB	2096851		1/2001
GB	3005022		1/2003
GB	3025672		12/2006
WO	9821534	A1	5/1998
WO	2006007266	A2	1/2006
WO	14074113	A1	5/2014
WO	2016066817	A1	5/2016
WO	17072531	A1	5/2017
WO	17182290	A1	10/2017
WO	18005859	A2	1/2018

OTHER PUBLICATIONS

Dometic Patrol 35 https://shop.dometic.com/store/dometic/en_US/pd/productID.5178771400 (12 pp) Oct. 23, 2019.
gore.com/protectivevents—screw-in series—“Increase outdoor enclosure durability in harsh environments” p. 1-4.
May 27, 2020—(WO) Partial International Search—PCT/US2019/065859.
Jul. 28, 2020—(WO) International Search Report & Written Opinion—PCT/US19/065859.

* cited by examiner

Primary Examiner — Terry A Wallace
(74) *Attorney, Agent, or Firm* — Banner & Witcoff, Ltd.

(57) CLAIM

The ornamental design for a container, as shown and described.

DESCRIPTION

FIG. 1 is a front, right, perspective view of a container showing our new design;
FIG. 2 is a front view thereof;
FIG. 3 is a rear view thereof;
FIG. 4 is a right side view thereof;
FIG. 5 is a left side view thereof;
FIG. 6 is a top view thereof; and,
FIG. 7 is a bottom view thereof.
The even-length broken lines represent unclaimed boundaries and form no part of the claimed design. The container is shown with a symbolic break in its length, width, and height. The appearance of any portion of the article between the break lines forms no part of the claimed design.

1 Claim, 6 Drawing Sheets

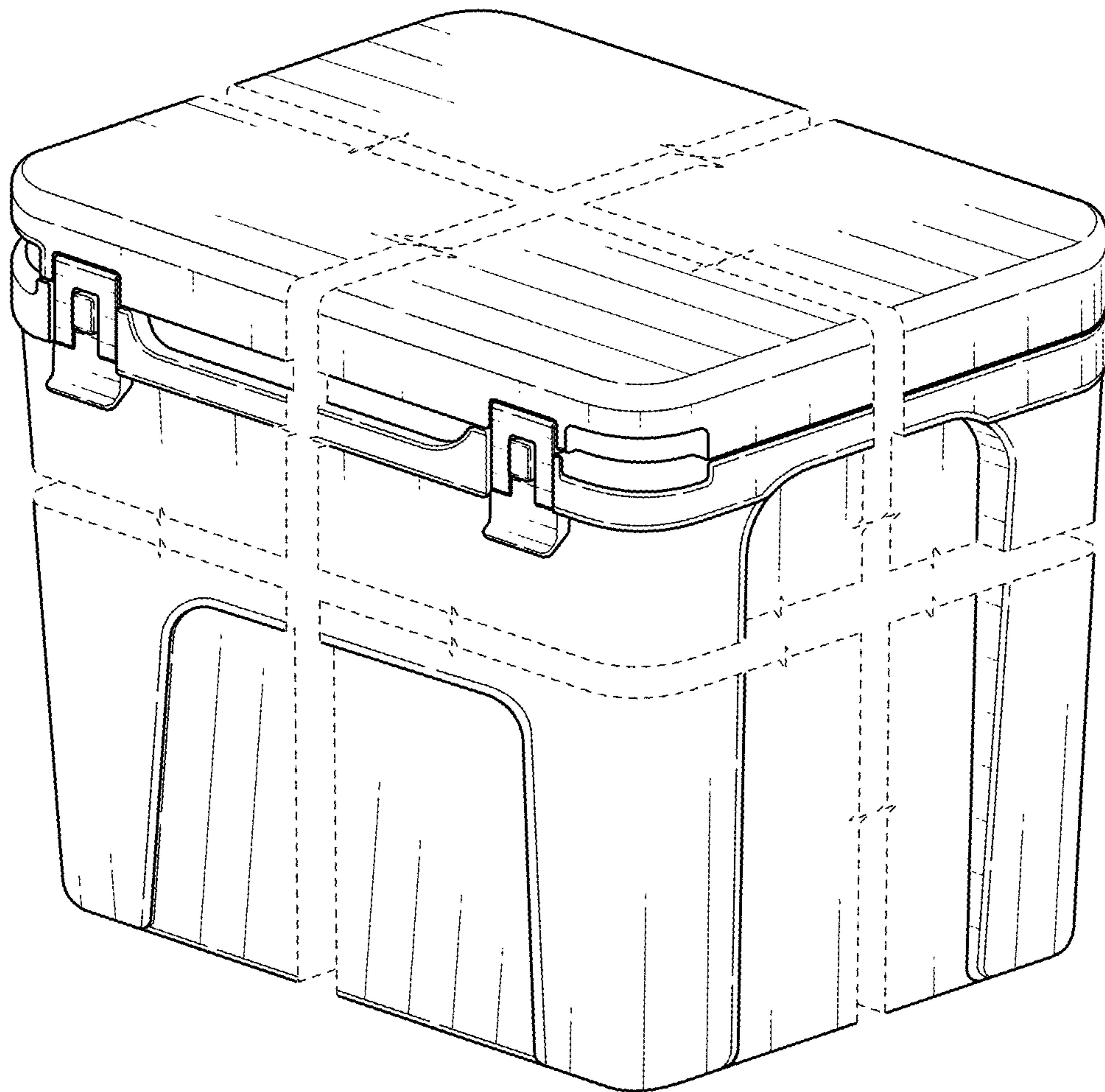


FIG. 1

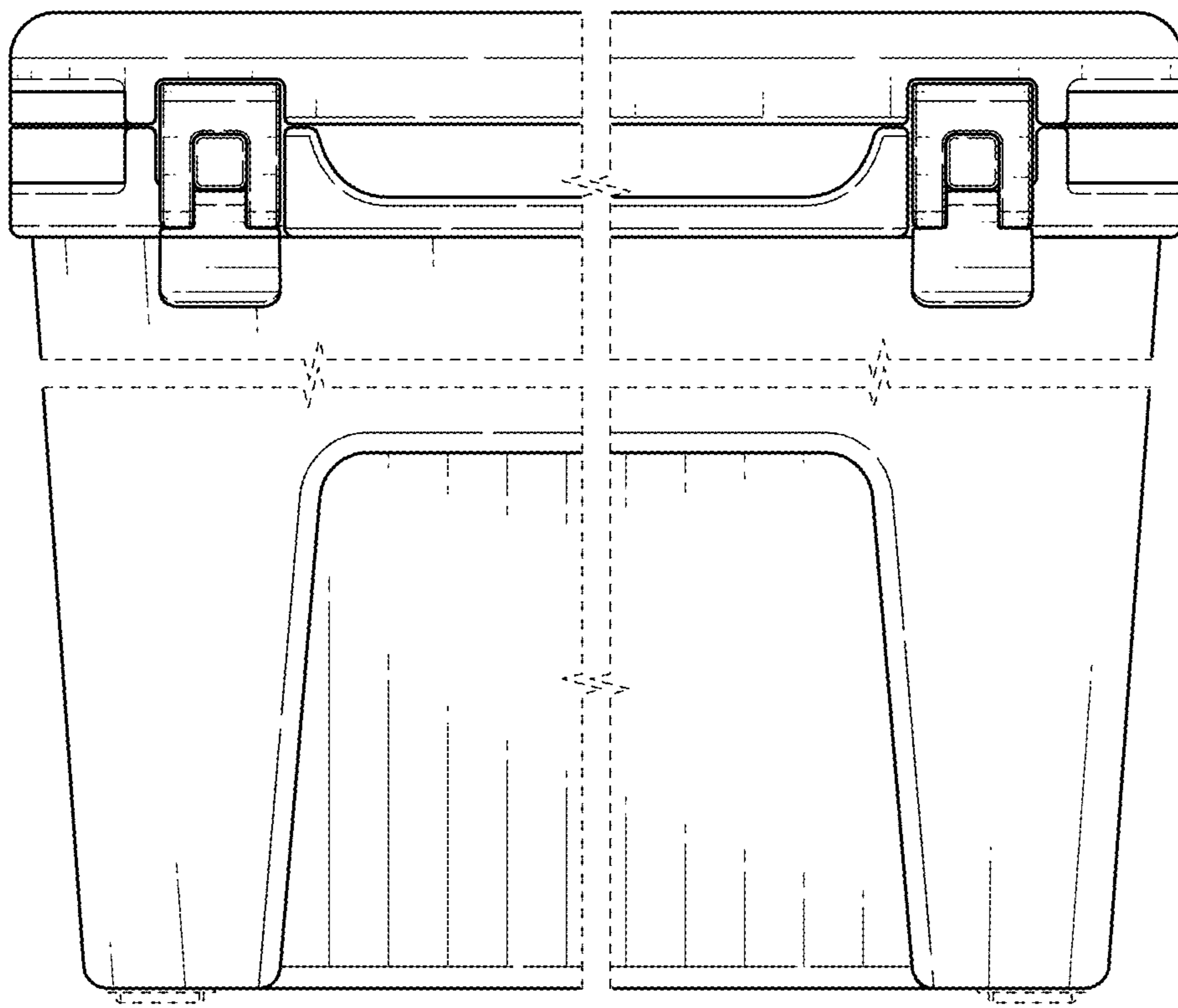


FIG. 2

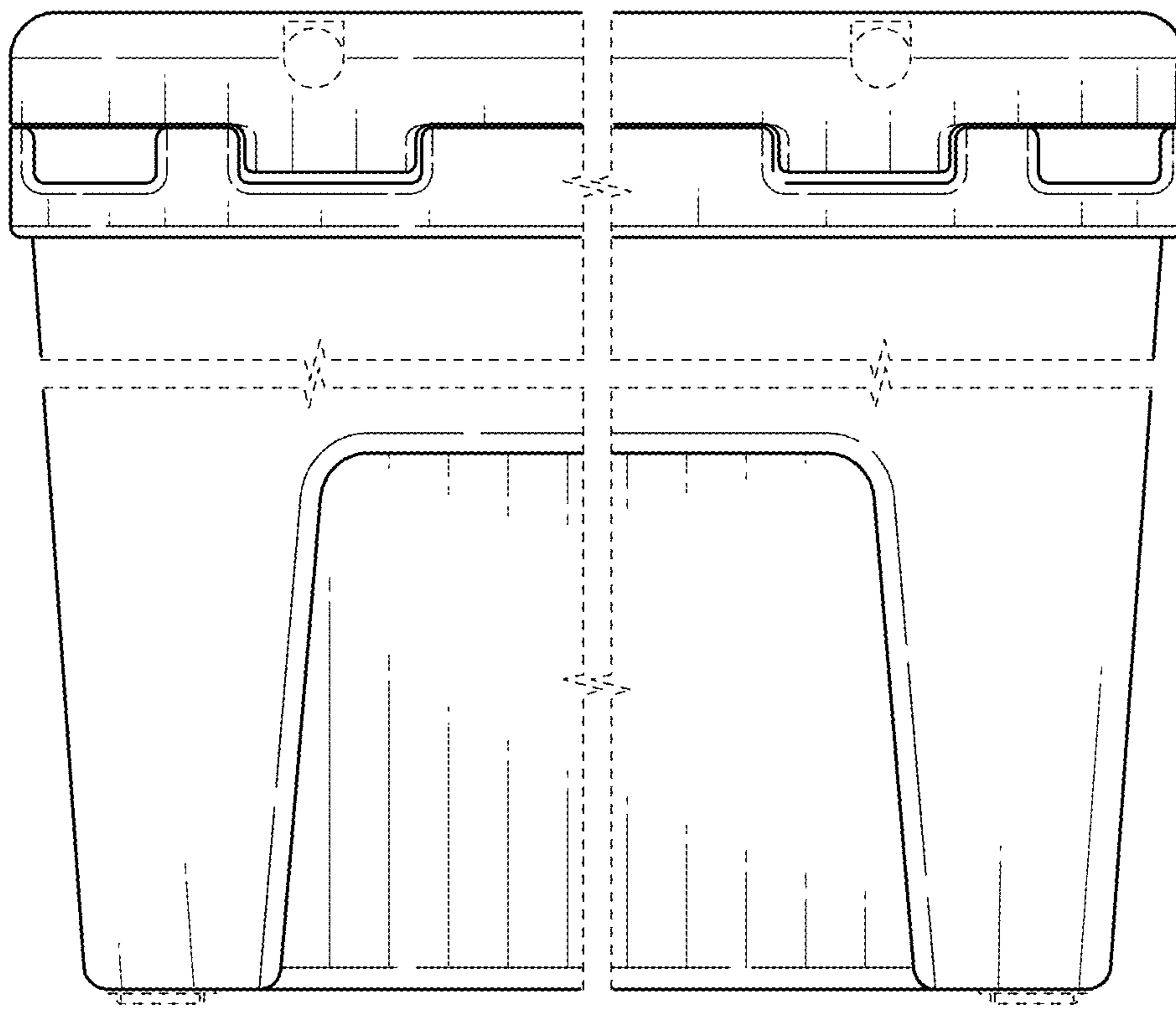


FIG. 3

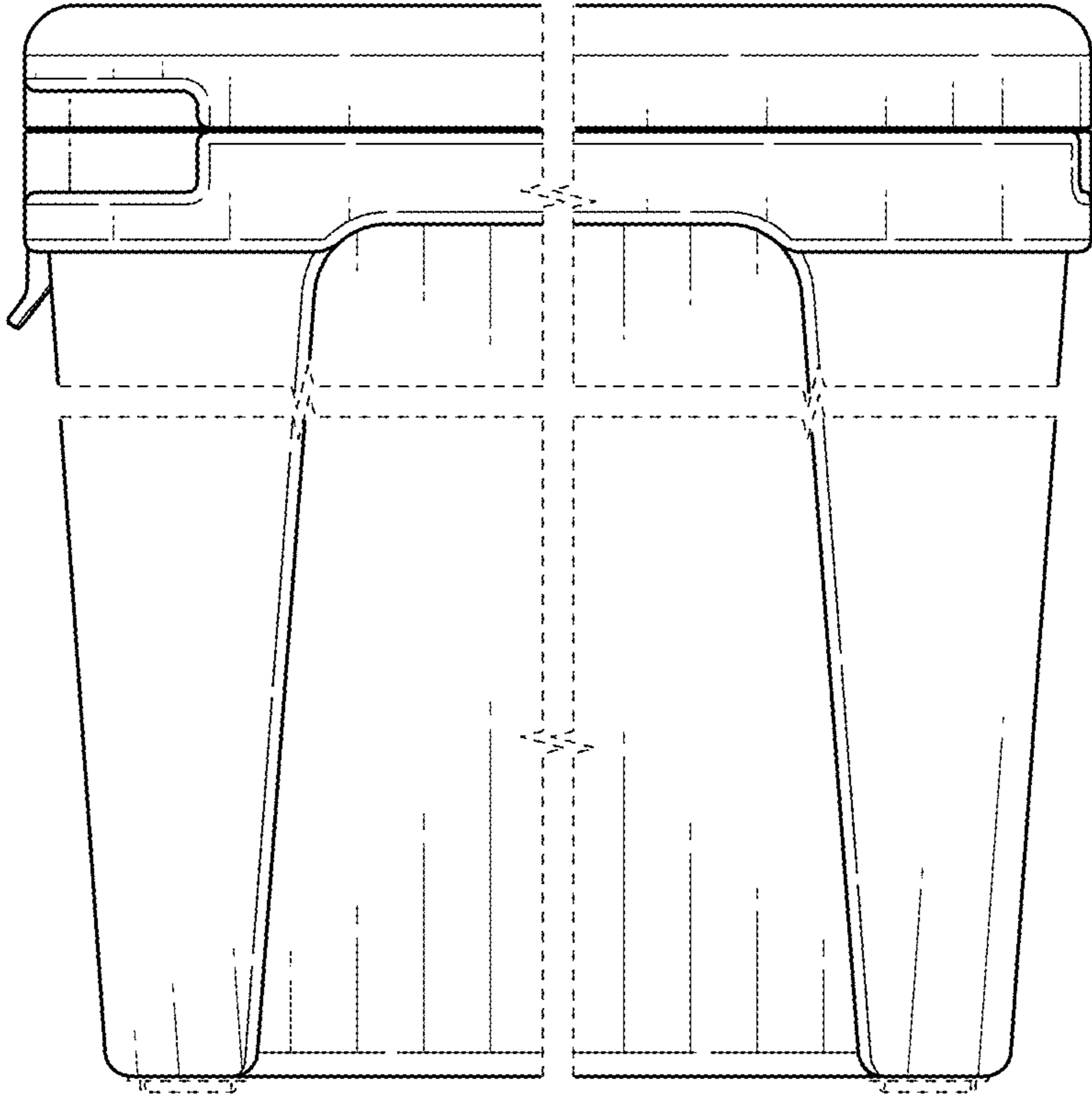


FIG. 4

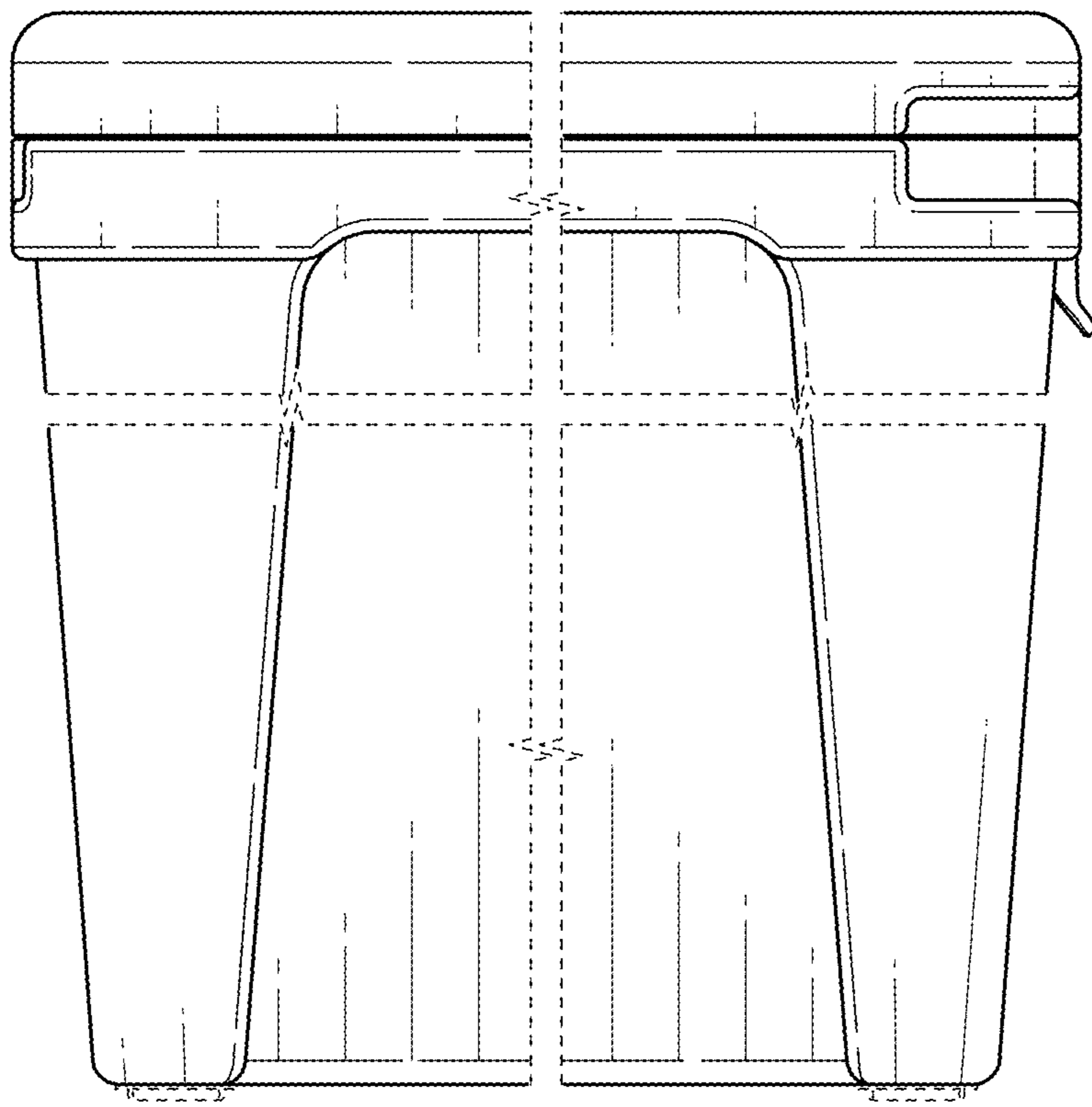


FIG. 5

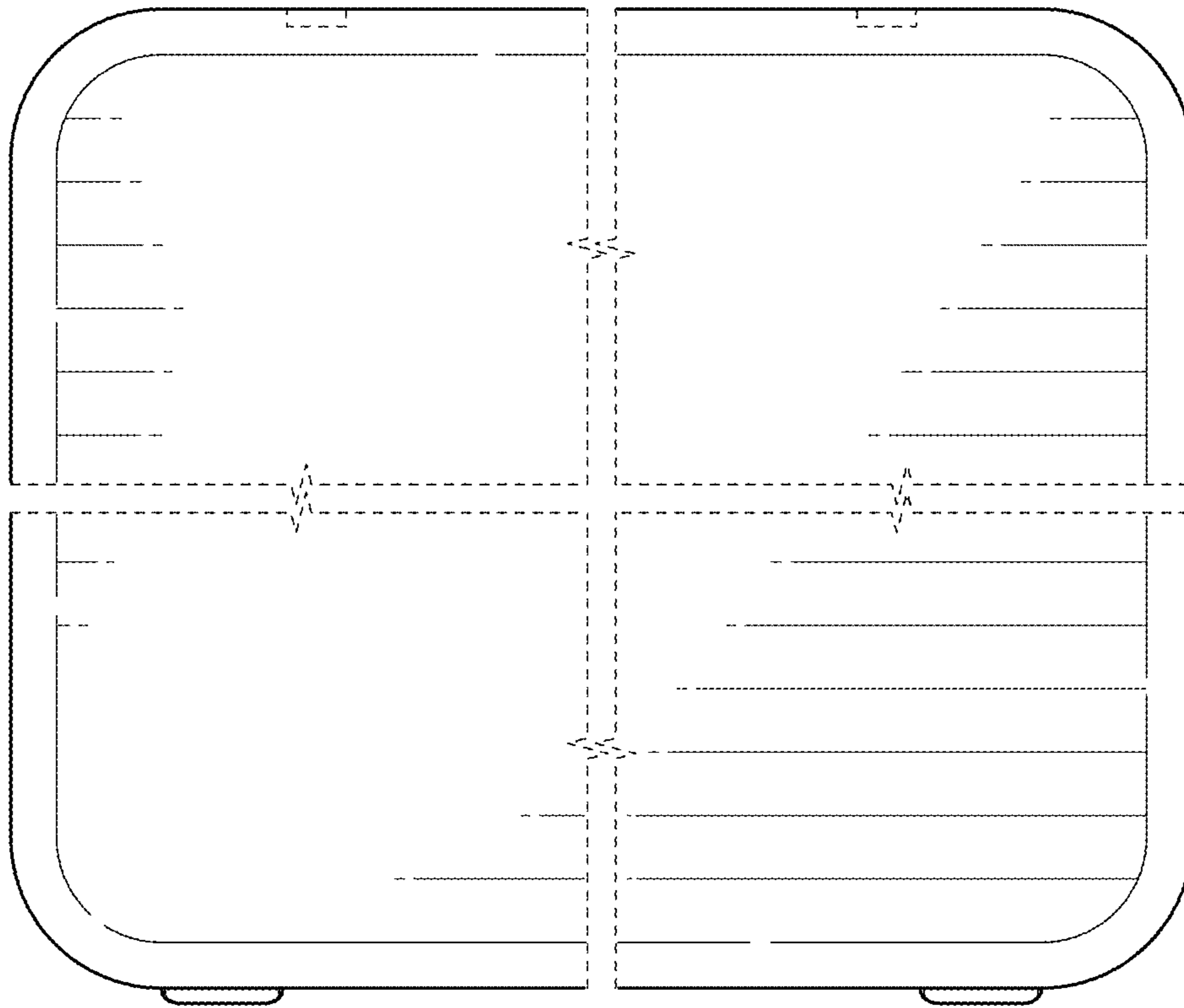


FIG. 6

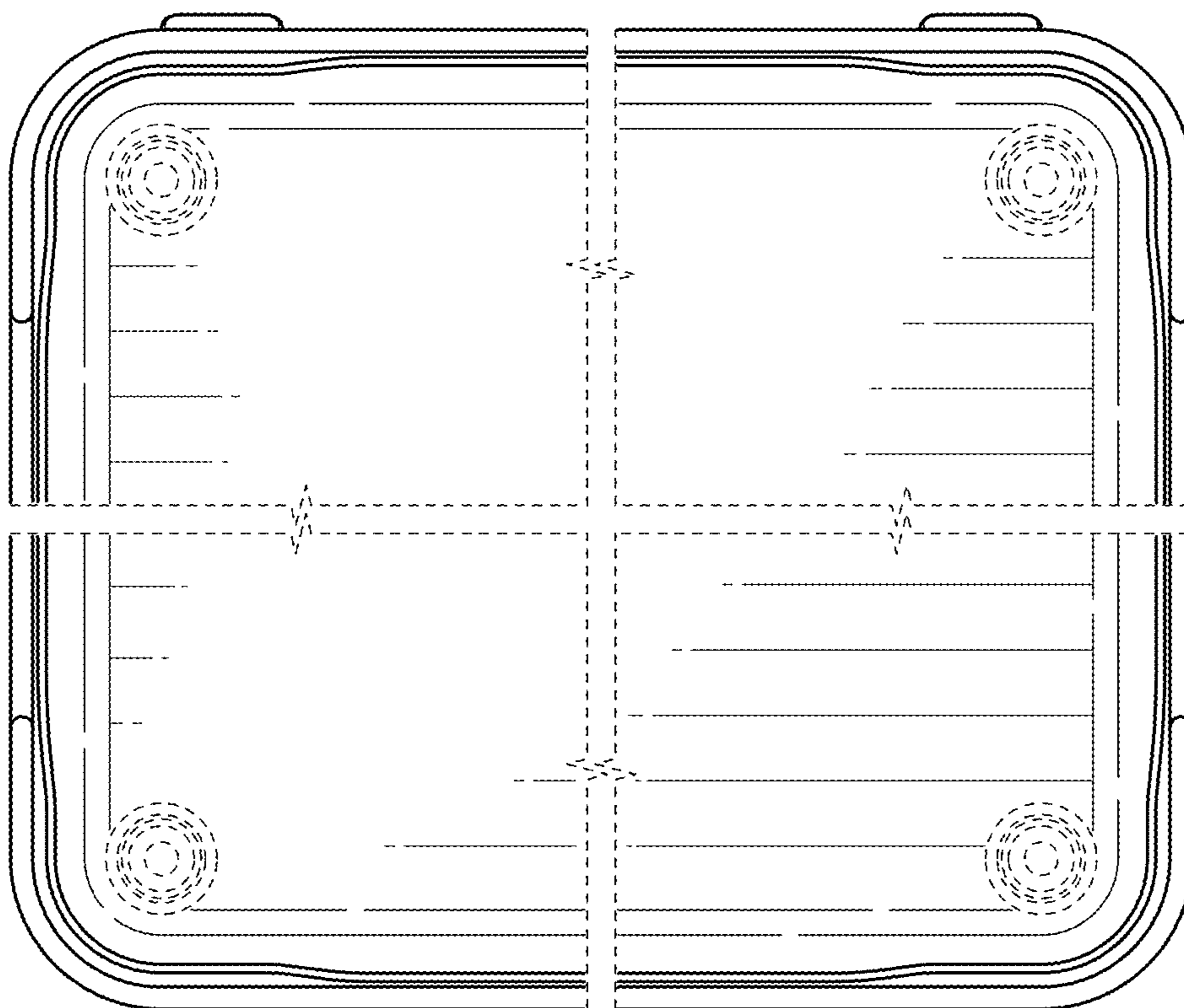


FIG. 7