



US00D899865S

(12) **United States Design Patent**  
**Shi**

(10) **Patent No.:** **US D899,865 S**

(45) **Date of Patent:** **\*\* Oct. 27, 2020**

(54) **COOLER BAG**

D792,760 S \* 7/2017 Foster ..... D9/424  
D829,545 S \* 10/2018 Thurin ..... D9/425  
D854,380 S \* 7/2019 Yang ..... D7/602

(71) Applicant: **Sibo Bags & Suitcases Fittings Co., Ltd. Jinjiang, Fujian (CN)**

(72) Inventor: **Fengling Shi, Fujian (CN)**

(\*\*) Term: **15 Years**

(21) Appl. No.: **29/692,769**

(22) Filed: **May 29, 2019**

(51) **LOC (12) Cl.** ..... **07-07**

(52) **U.S. Cl.**

USPC ..... **D7/605; D7/602**

(58) **Field of Classification Search**

USPC ..... D7/601, 602, 603, 605, 607, 624.2, 703

CPC ..... B65D 77/24; B65D 85/816

See application file for complete search history.

(56) **References Cited**

**U.S. PATENT DOCUMENTS**

D246,289 S \* 11/1977 Boucher ..... D7/602  
D248,621 S \* 7/1978 Hay ..... D3/302  
D380,349 S \* 7/1997 Indekeu ..... D7/359  
D690,198 S \* 9/2013 Haracourt ..... D9/432  
D708,015 S \* 7/2014 Carlson ..... D7/602  
D708,017 S \* 7/2014 Carlson ..... D7/602  
D717,121 S \* 11/2014 Carlson ..... D7/602  
D730,699 S \* 6/2015 Mok ..... D7/602  
D772,059 S \* 11/2016 Urushidani ..... D9/432  
D792,759 S \* 7/2017 Foster ..... D9/424

**OTHER PUBLICATIONS**

Dick's Sporting Goods website, YETI Hopper Flip 8 Cooler, Oldest comment date Aug. 6, 2017, [site visited Aug. 6, 2020], Available on the Internet URL <https://www.dickssportinggoods.com/p/yeti-hopper-flip-8-cooler-17yetuhpprflpftxxodr> (Year: 2017).\*

\* cited by examiner

*Primary Examiner* — Karen S Acker

*Assistant Examiner* — Steven B Reinholdt, Jr.

(74) *Attorney, Agent, or Firm* — Prakash Nama; Global IP Services, PLLC

(57) **CLAIM**

The ornamental design for a cooler bag, as shown.

**DESCRIPTION**

FIG. 1 is a front elevational view of a cooler bag showing my new design;

FIG. 2 is a rear elevational view thereof;

FIG. 3 is a left side view thereof;

FIG. 4 is a right side view thereof;

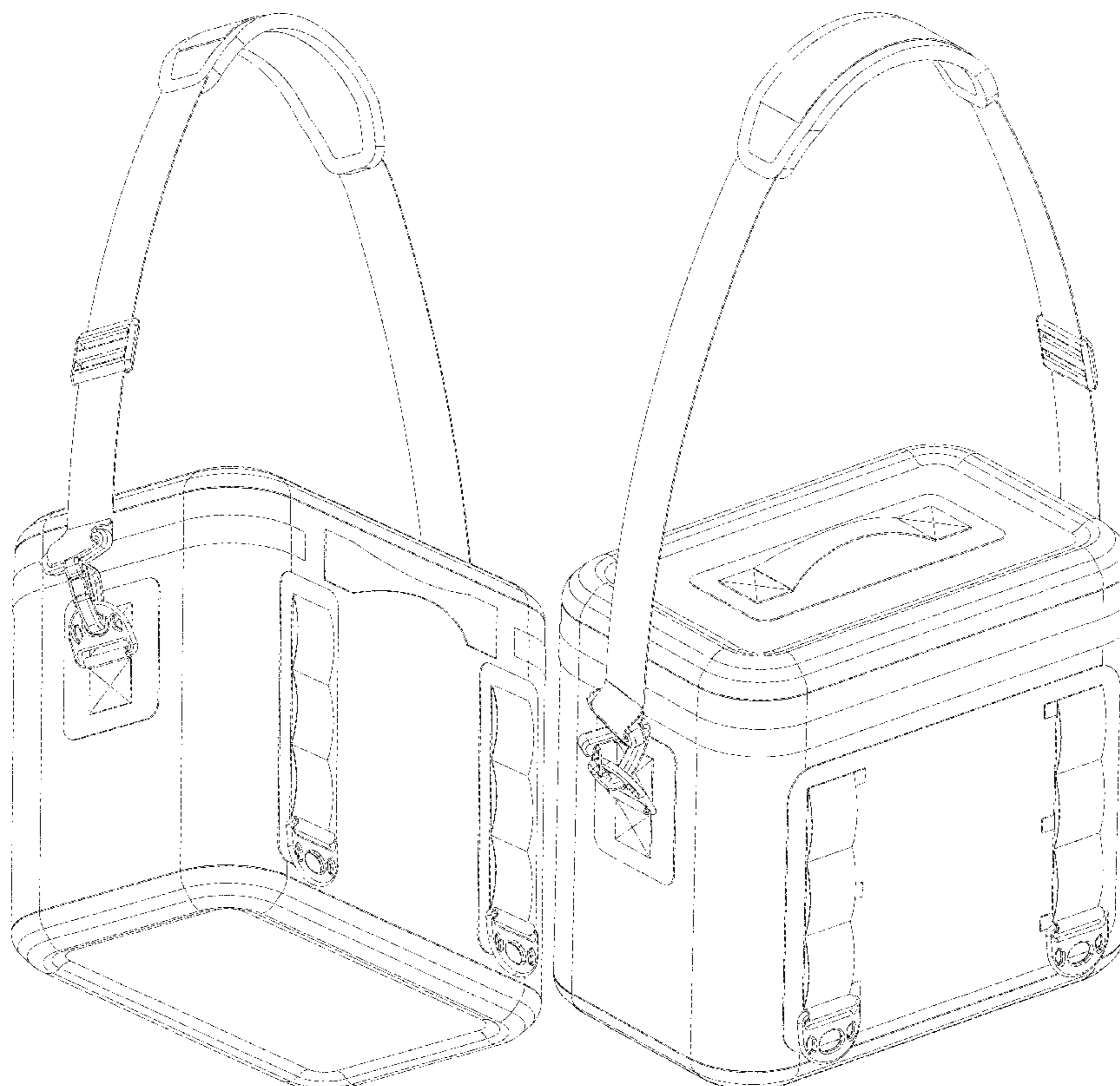
FIG. 5 is a top plan view thereof;

FIG. 6 is a bottom plan view thereof;

FIG. 7 is a perspective view thereof; and,

FIG. 8 is another perspective view thereof.

**1 Claim, 8 Drawing Sheets**



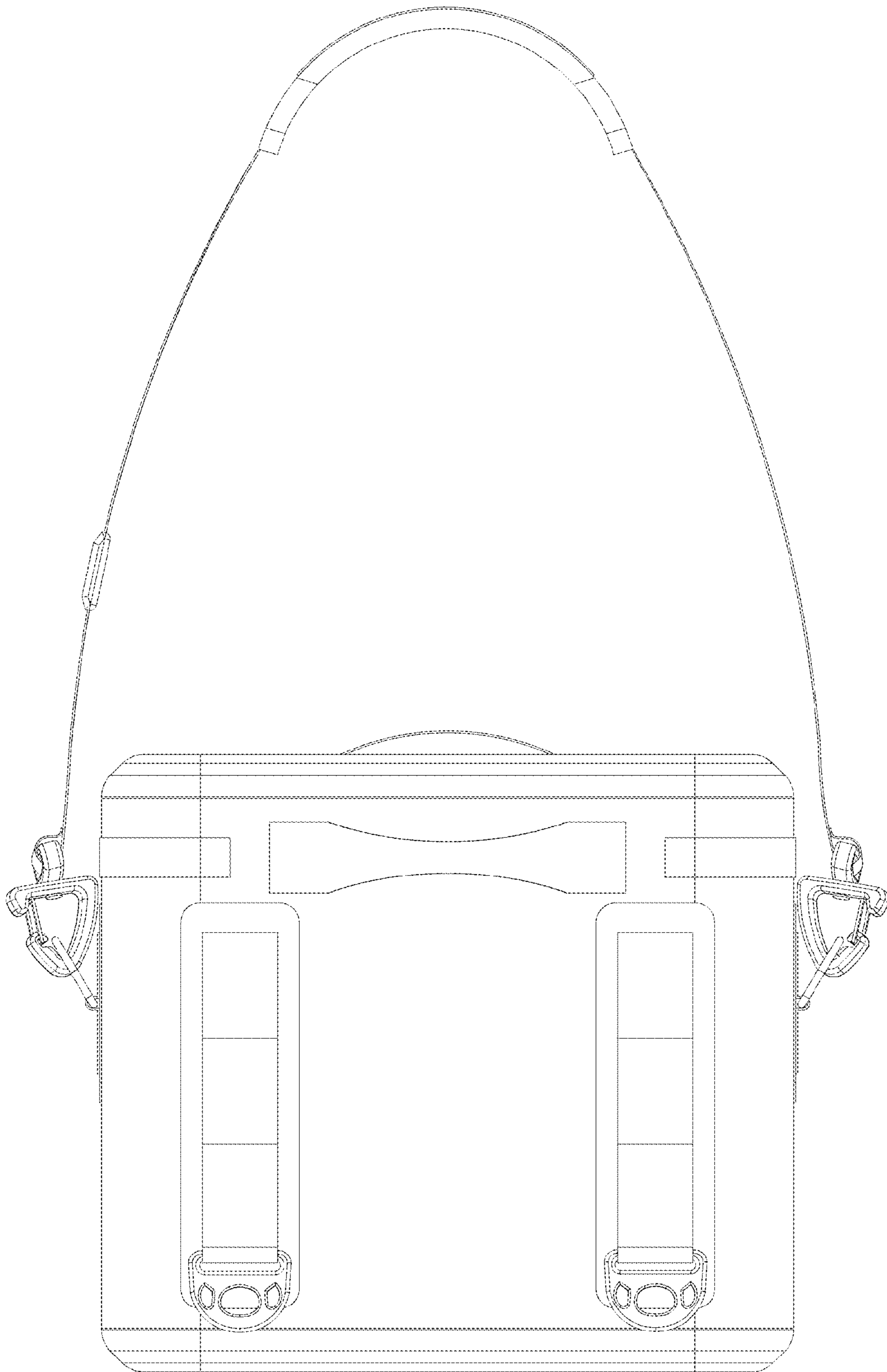


Fig. 1

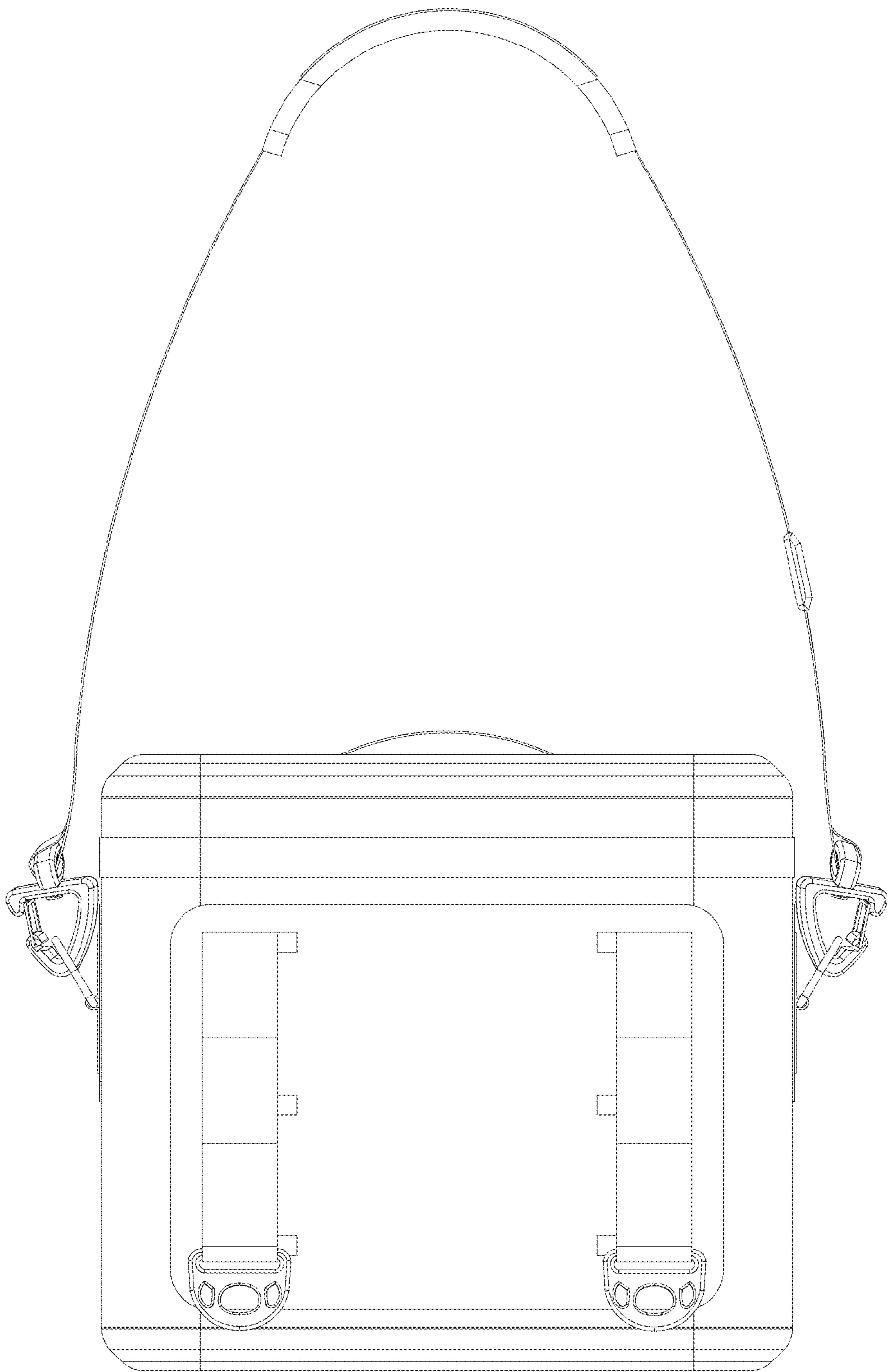


Fig. 2

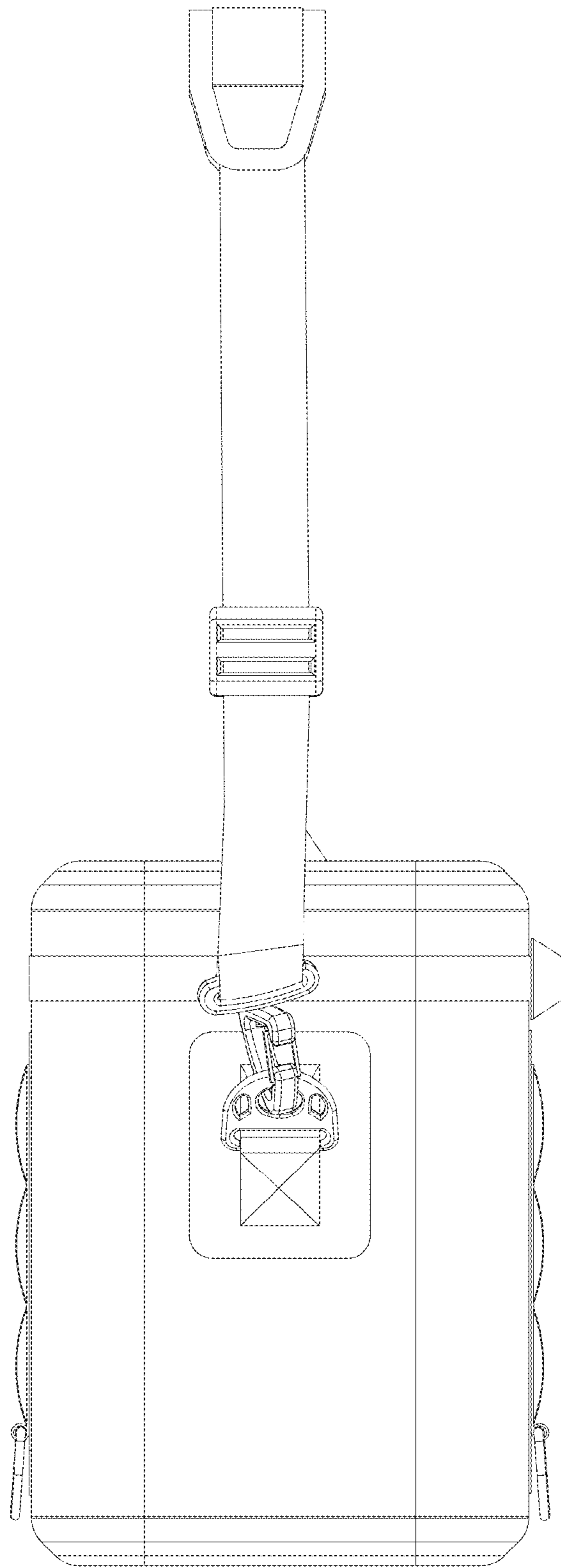


Fig. 3

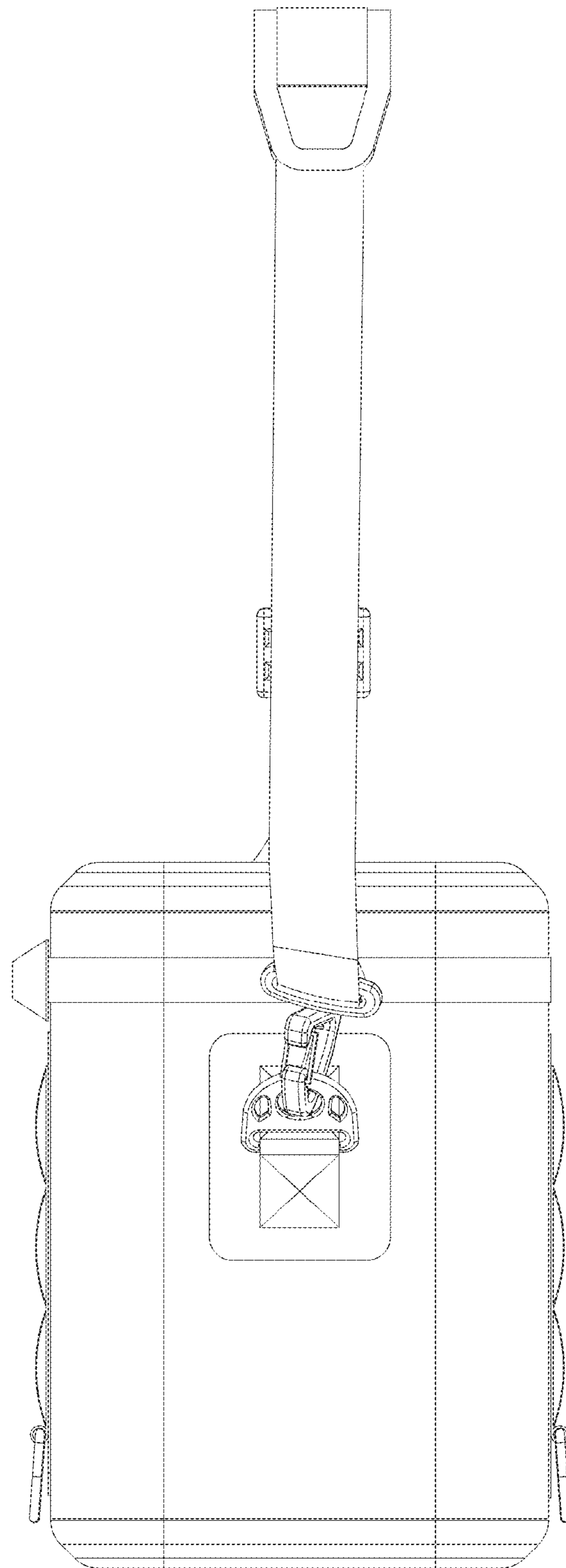


Fig. 4

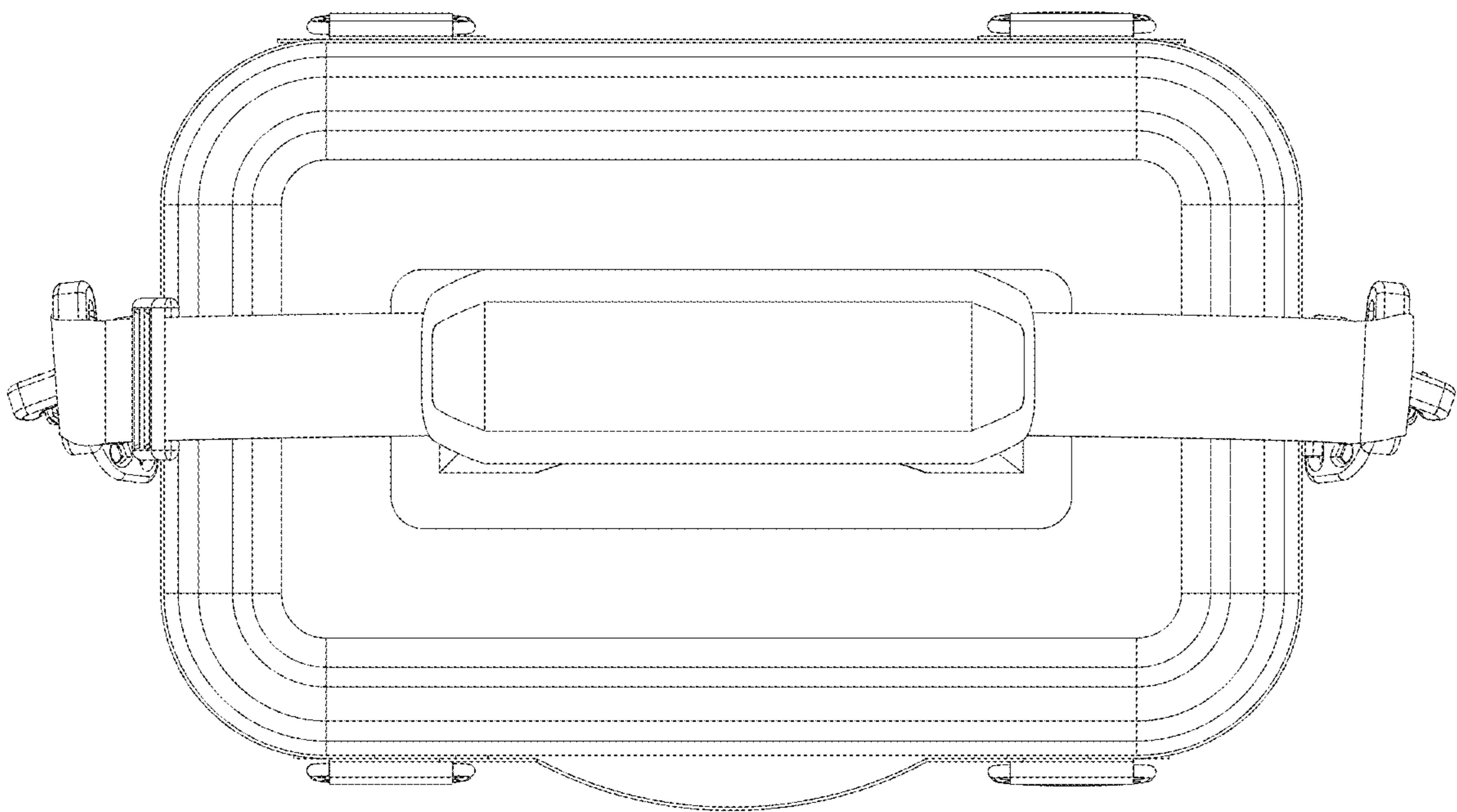


Fig. 5

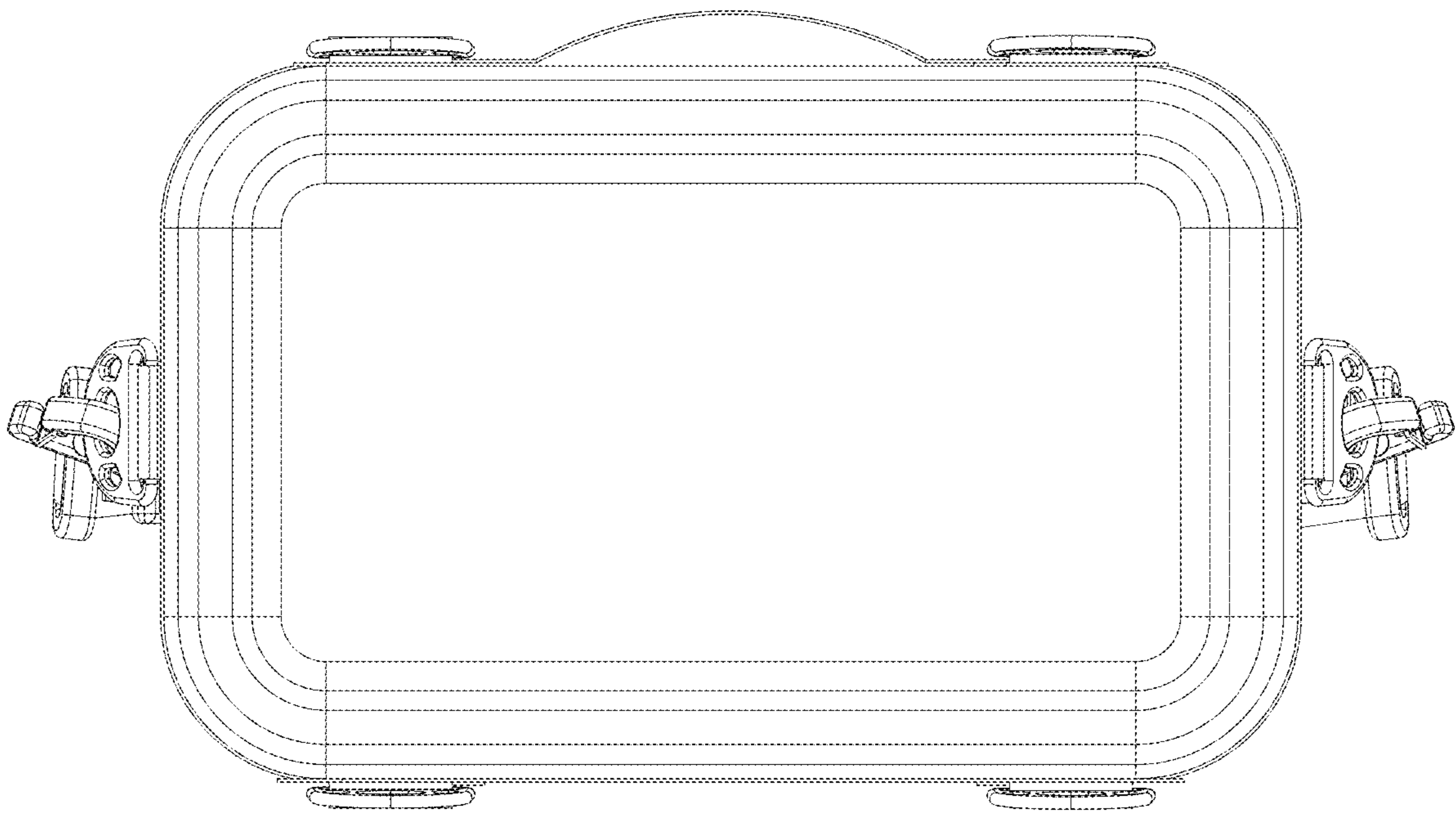


Fig. 6

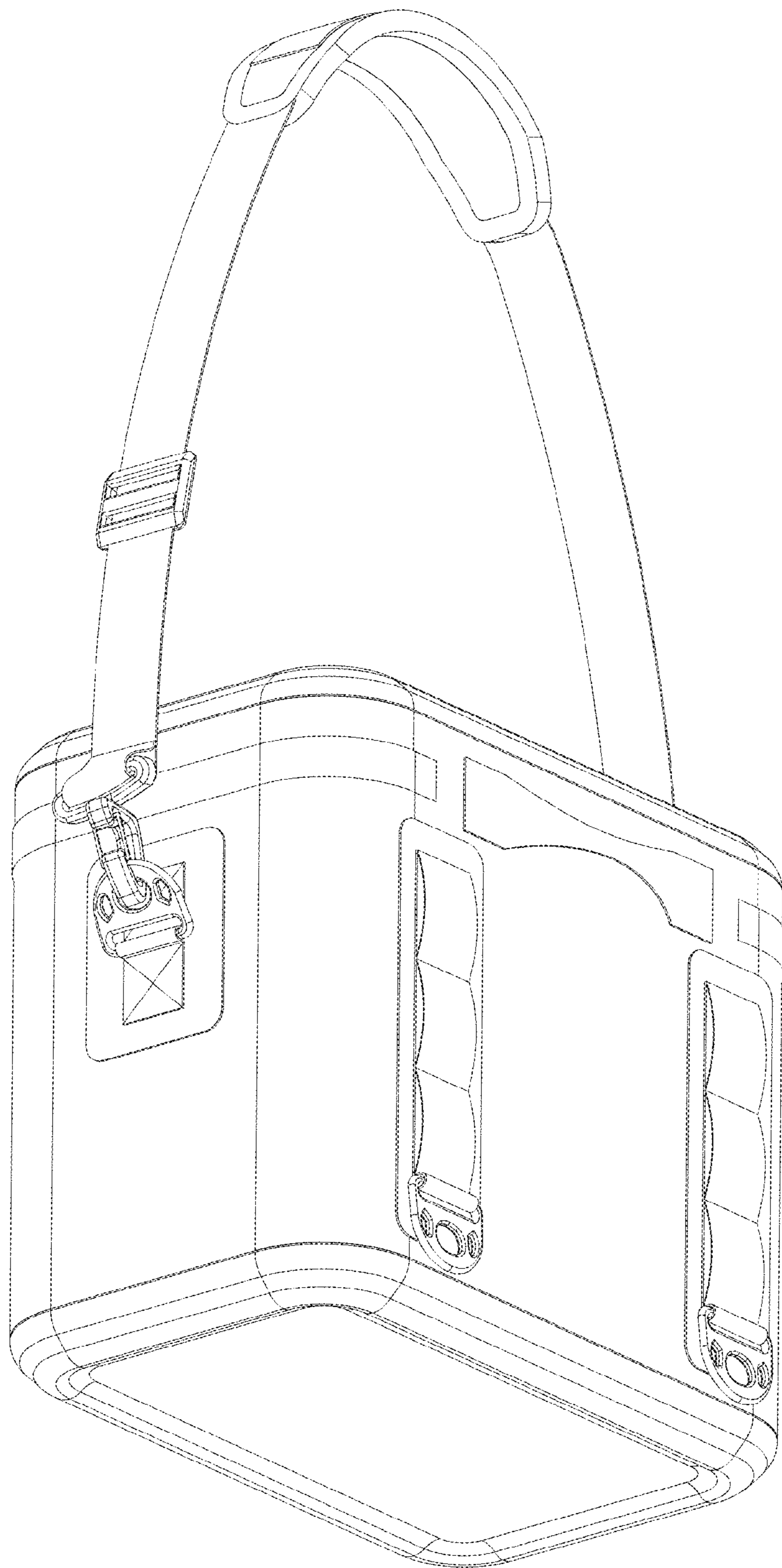


Fig. 7



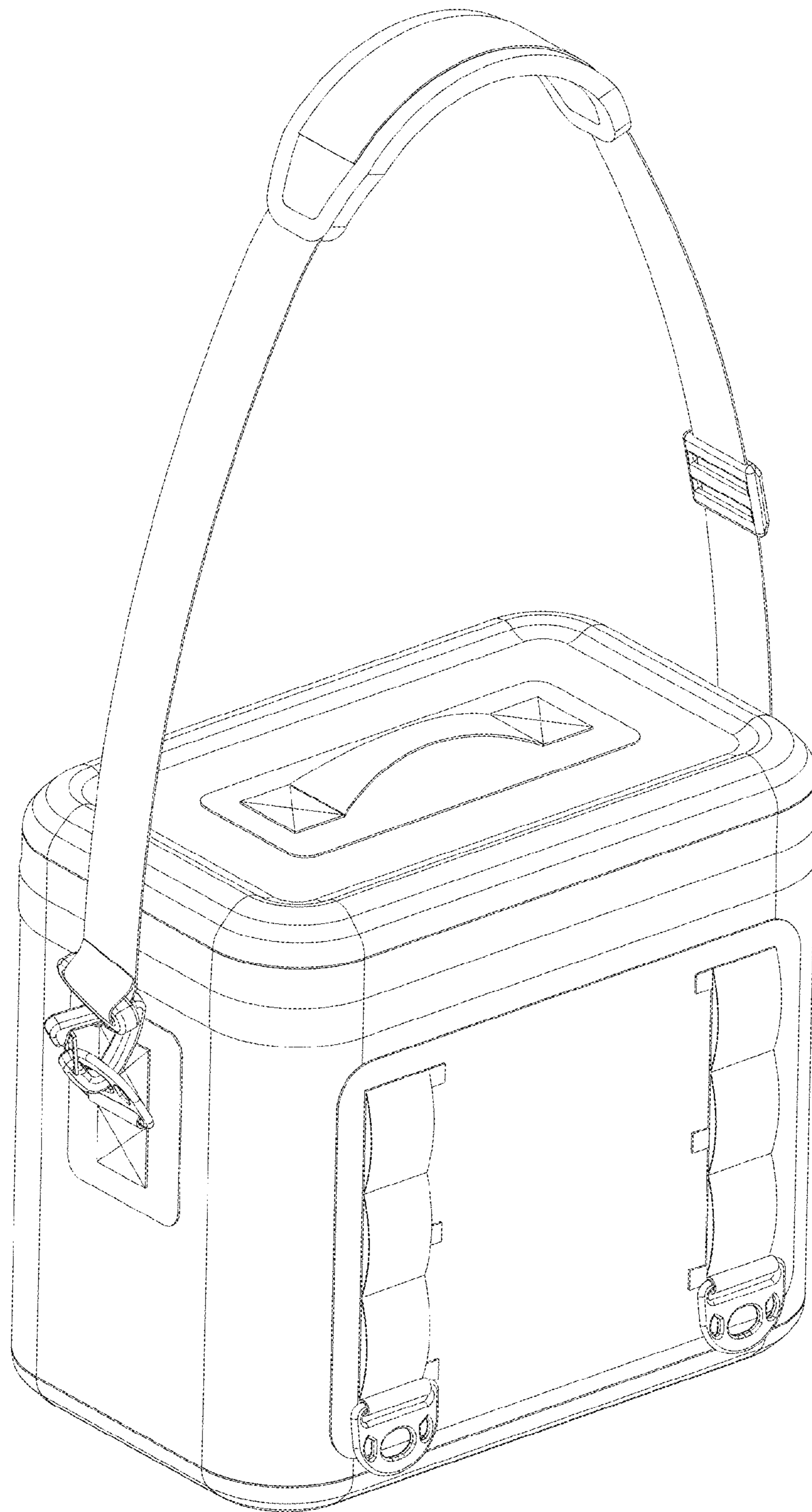


Fig. 8