



US00D899864S

(12) **United States Design Patent**
Balik et al.

(10) **Patent No.:** **US D899,864 S**
(45) **Date of Patent:** **** Oct. 27, 2020**

(54) **COOKIE CAGE**

(71) Applicant: **Frankford Candy, LLC**, Philadelphia, PA (US)

(72) Inventors: **Meghan Balik**, Philadelphia, PA (US); **Matthew Agostini**, Melrose Park, PA (US); **Brady J. Doyle**, Philadelphia, PA (US); **Bryan M. Louie**, Lancaster, PA (US)

(73) Assignee: **Frankford Candy, LLC**, Philadelphia, PA (US)

(**) Term: **15 Years**

(21) Appl. No.: **29/679,506**

(22) Filed: **Feb. 7, 2019**

(51) **LOC (12) Cl.** **07-99**

(52) **U.S. Cl.**
USPC **D7/601; D7/620**

(58) **Field of Classification Search**

USPC D7/601, 619.1, 620; D12/419, 420
CPC A47G 19/30; A47G 19/04; A47G 19/22;
A47G 19/00; A47G 23/00; A47G 21/04;
A47G 21/00; B65D 25/205; B65D 25/20;
B60N 3/00; B60N 3/18; B60N 3/08;
B60N 3/10; B60N 3/103; B60N 3/104;
B60N 3/106; B60N 3/108

See application file for complete search history.

(56) **References Cited**

U.S. PATENT DOCUMENTS

5,429,262 A * 7/1995 Sharkey A47G 19/04
220/23.4
D453,095 S * 1/2002 Bailey D7/620

D473,760 S * 4/2003 Perez D7/620
D625,150 S * 10/2010 Ciarrocchi, Jr. B65D 25/20
D7/600.1
D799,909 S * 10/2017 Partridge D7/620
2007/0068948 A1 * 3/2007 Friedman A47G 19/22
220/501
2008/0210726 A1 * 9/2008 Josephs B60N 3/104
224/483
2009/0114649 A1 * 5/2009 Fraser B65D 25/205
220/23.83
2012/0048128 A1 * 3/2012 Haleluk A47G 21/00
99/516
2016/0207666 A1 * 7/2016 Loewenberg A47G 19/30

* cited by examiner

Primary Examiner — Terry A Wallace

(74) *Attorney, Agent, or Firm* — BakerHostetler

(57) **CLAIM**

The ornamental design for a cookie cage, as shown and described.

DESCRIPTION

FIG. 1 is an isometric view of a cookie cage showing our new design.

FIG. 2 is another isometric view thereof;

FIG. 3 is a front elevation view thereof;

FIG. 4 is a back elevation view thereof;

FIG. 5 is a left side elevation view thereof;

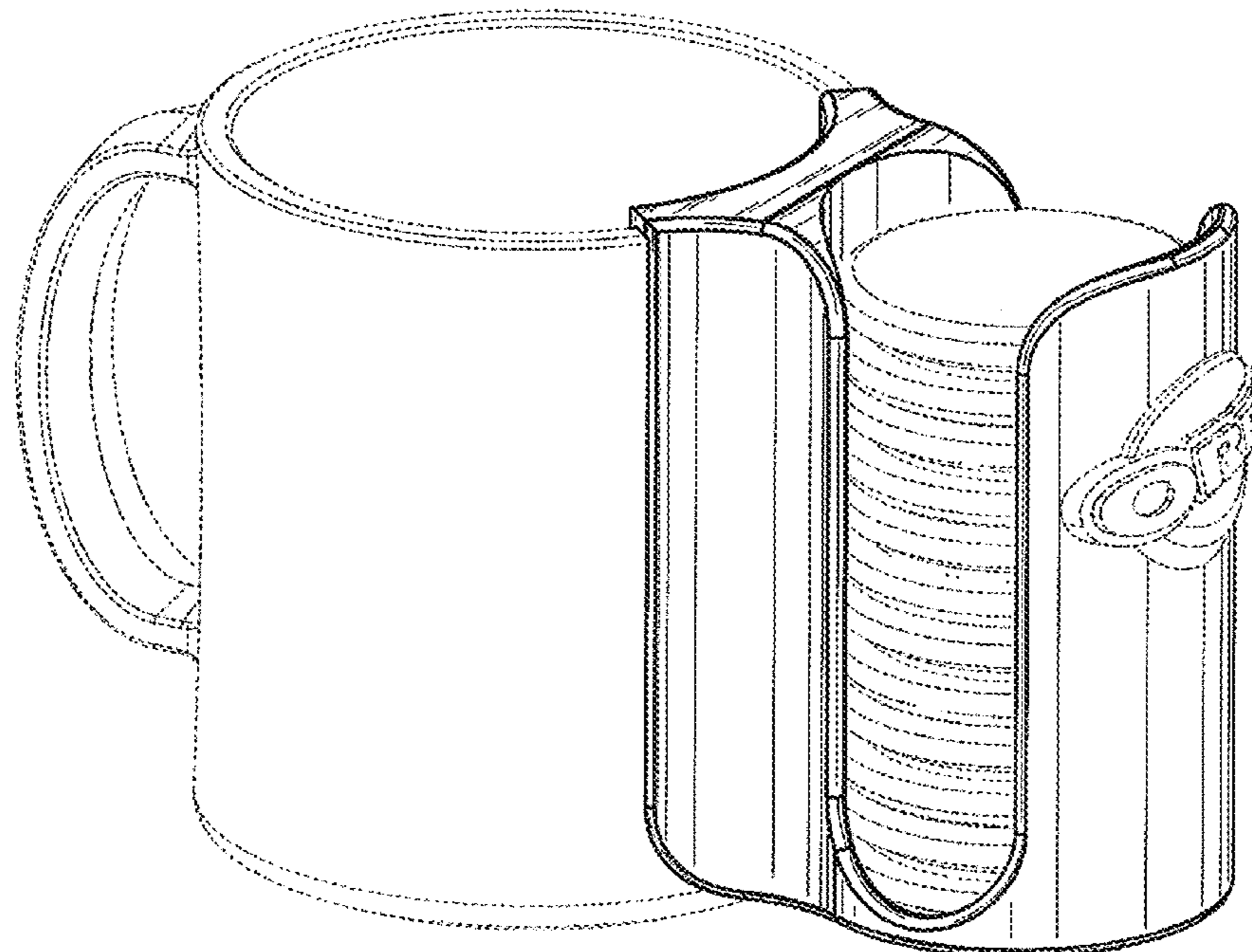
FIG. 6 is a right side elevation view thereof;

FIG. 7 is a top plan view thereof; and,

FIG. 8 is a bottom plan view thereof.

In the drawings, the broken lines depict environment of the cookie cage and form no part of the claim.

1 Claim, 8 Drawing Sheets



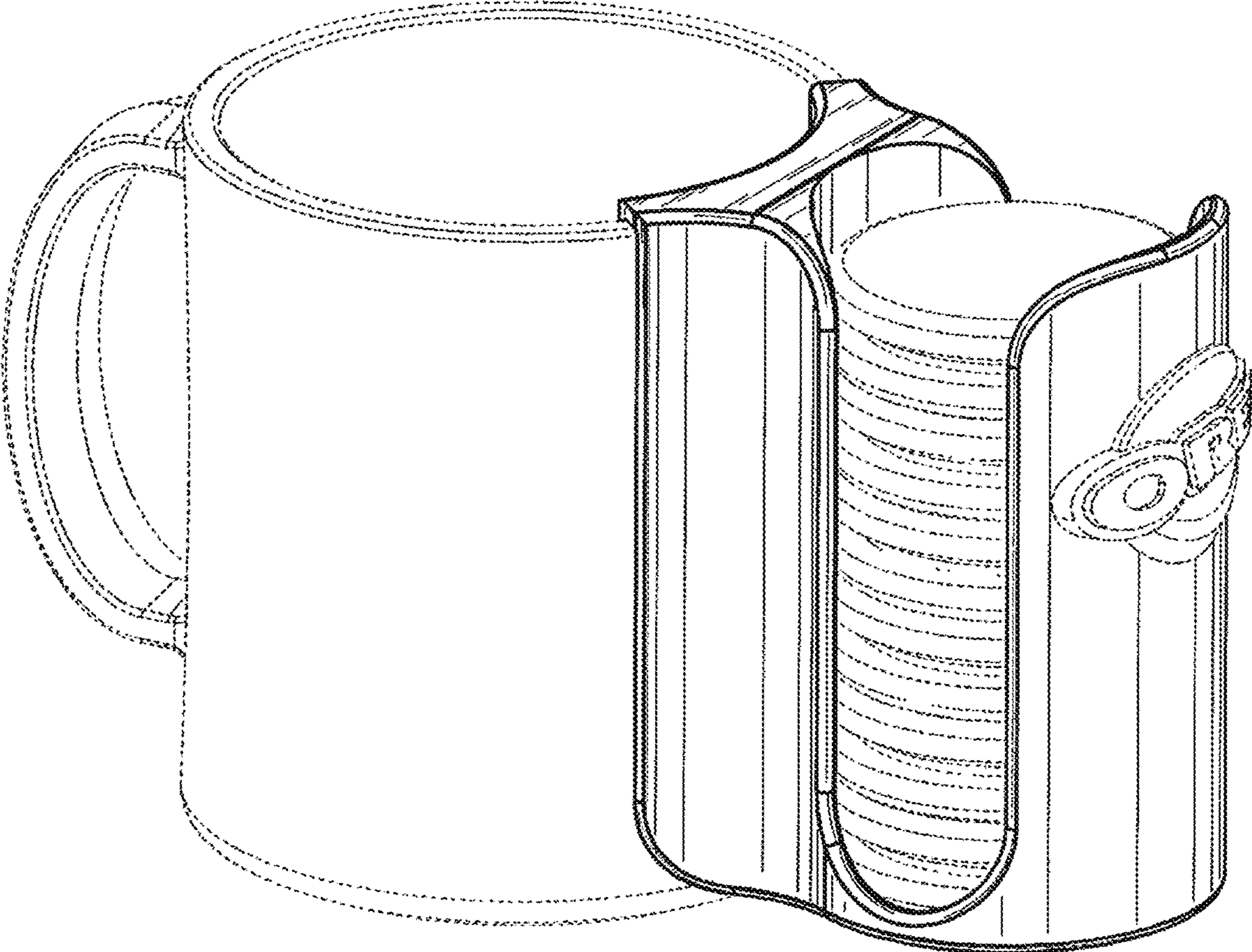


Fig.1

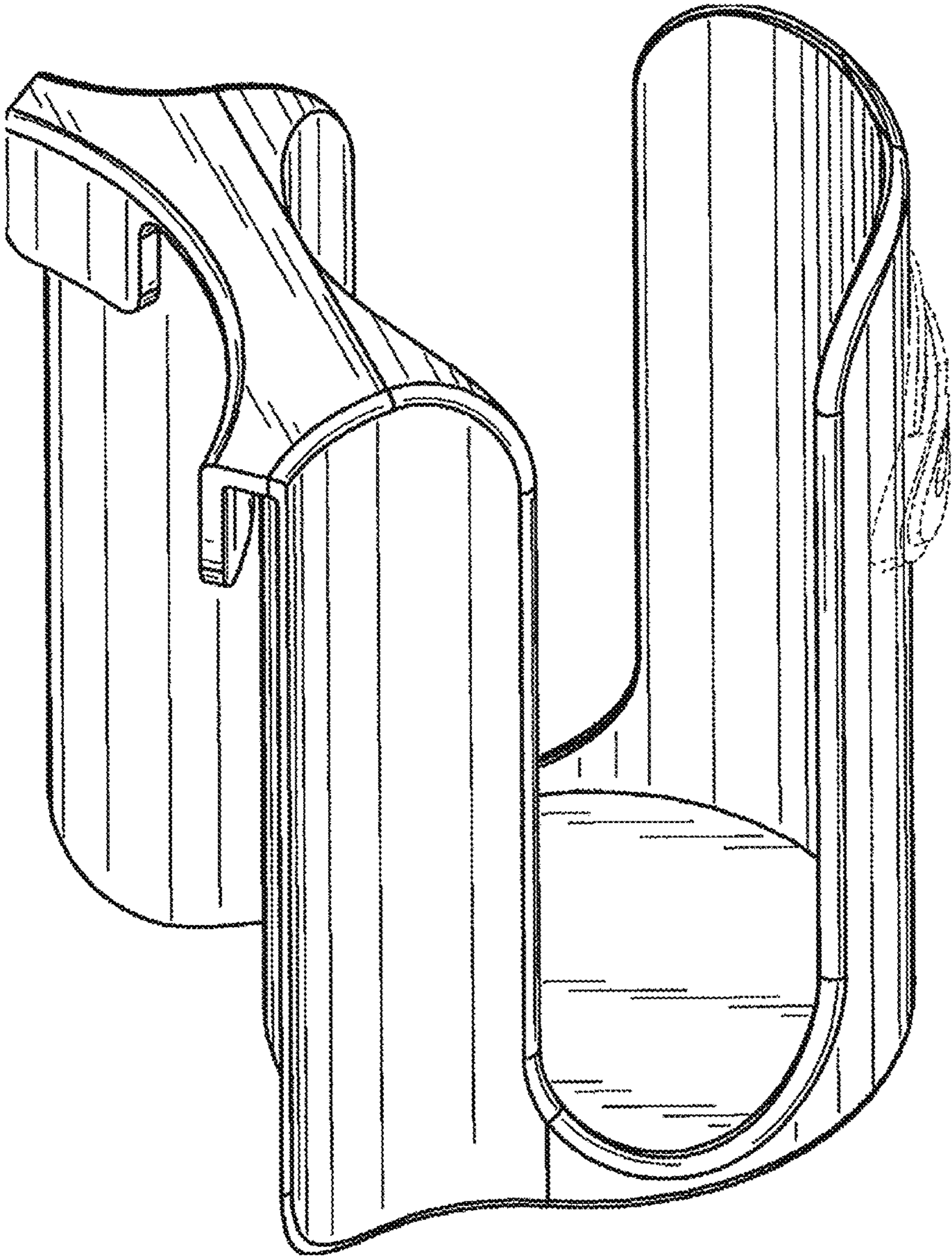


Fig.2

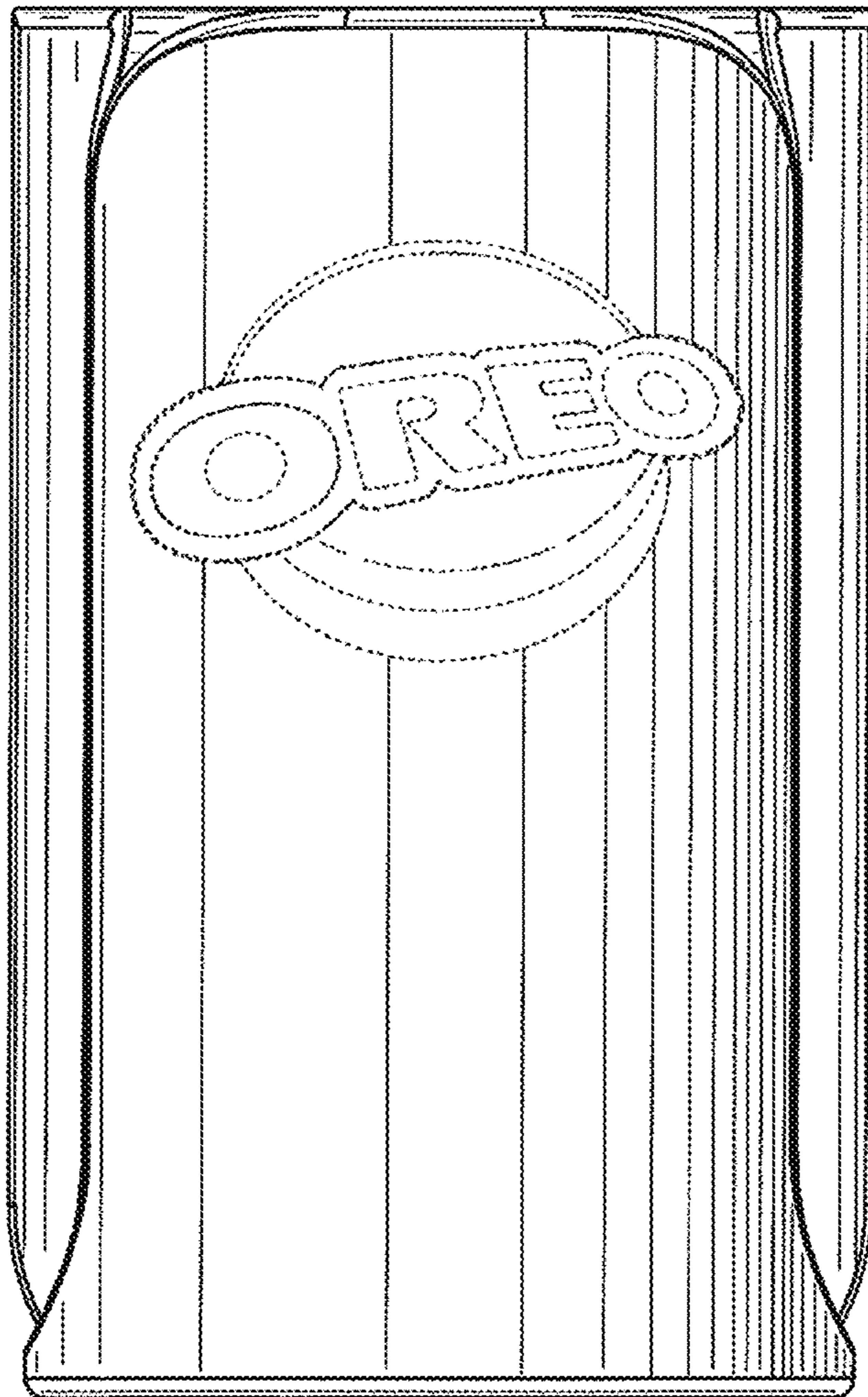


Fig.3

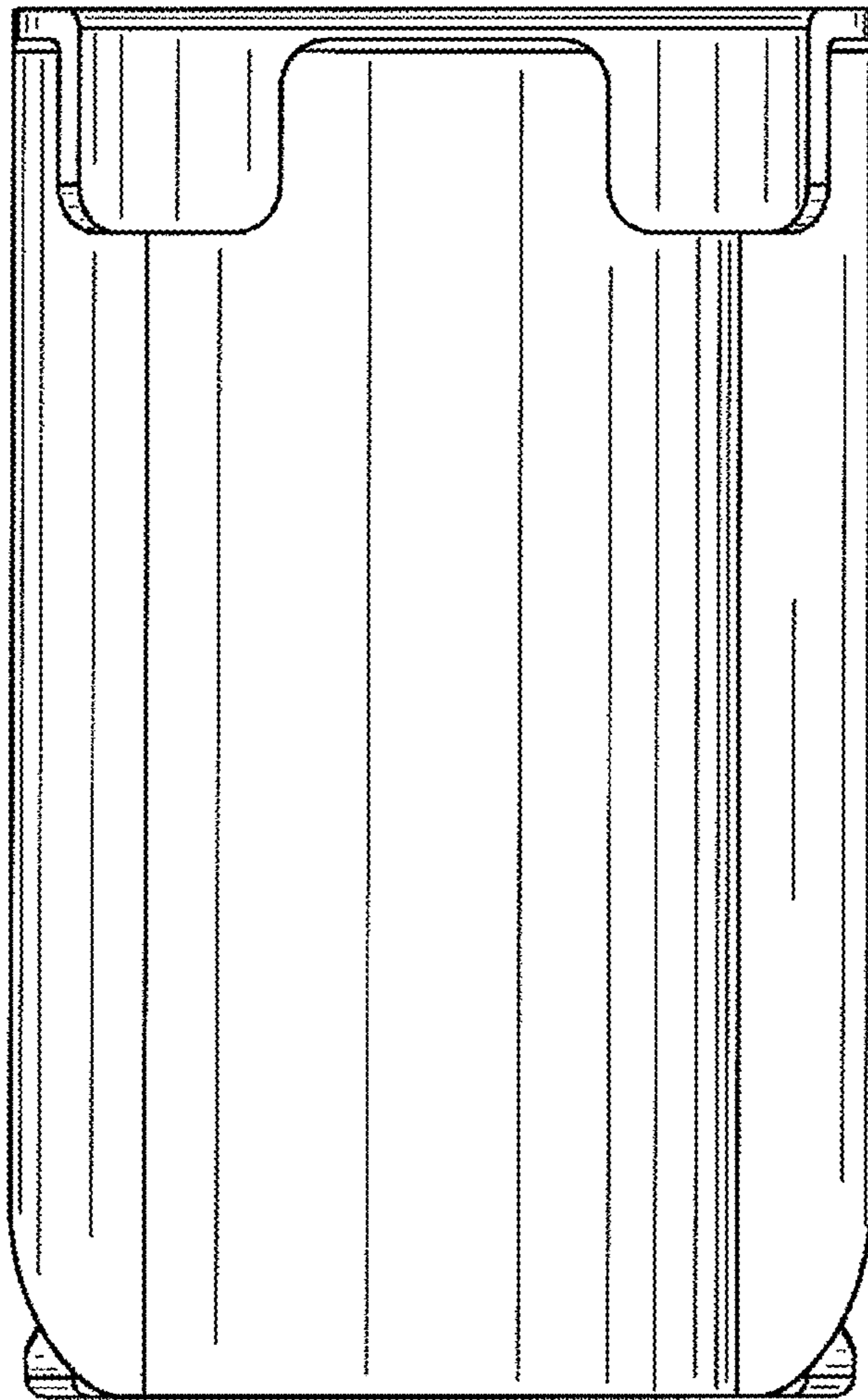


Fig.4

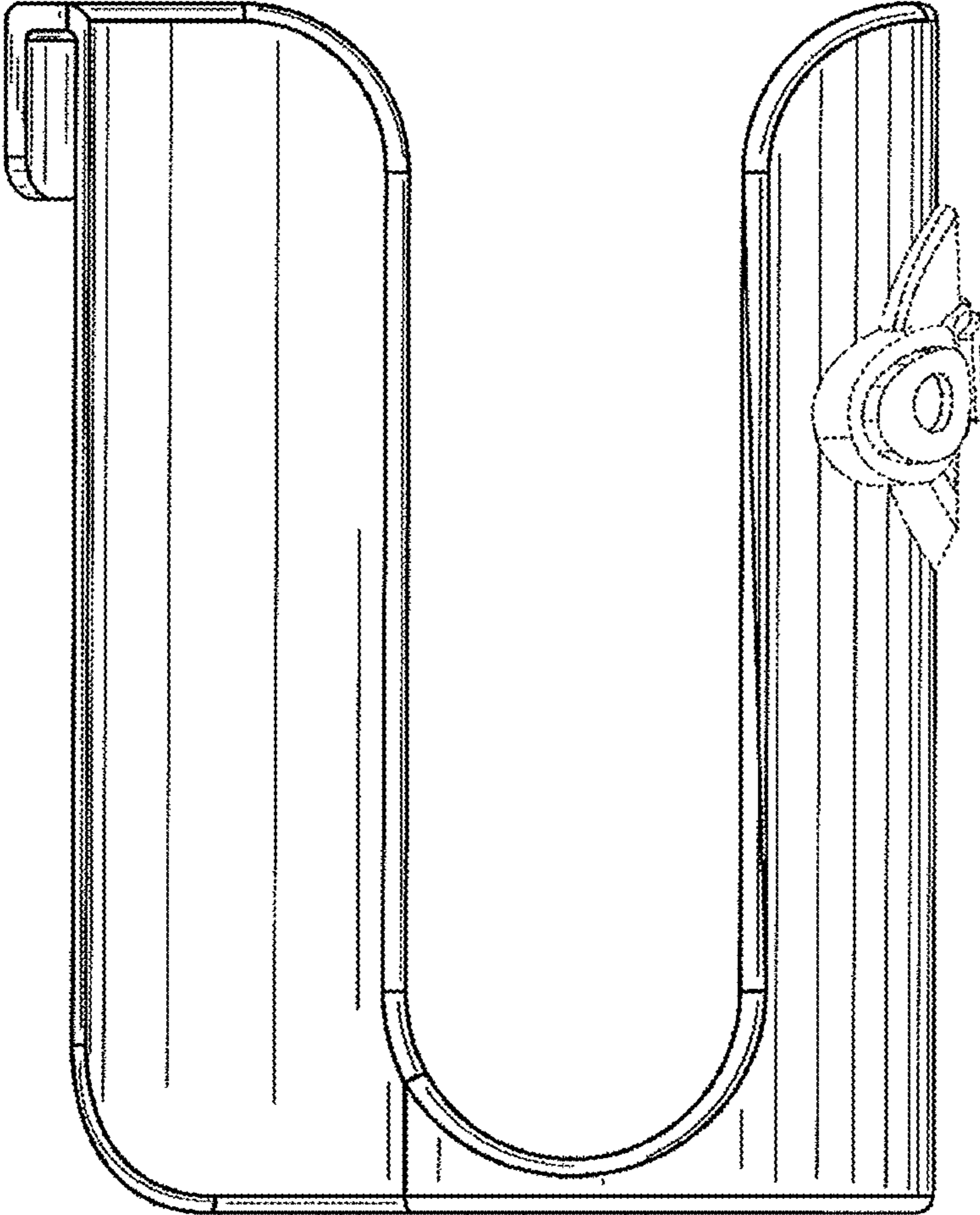


Fig.5

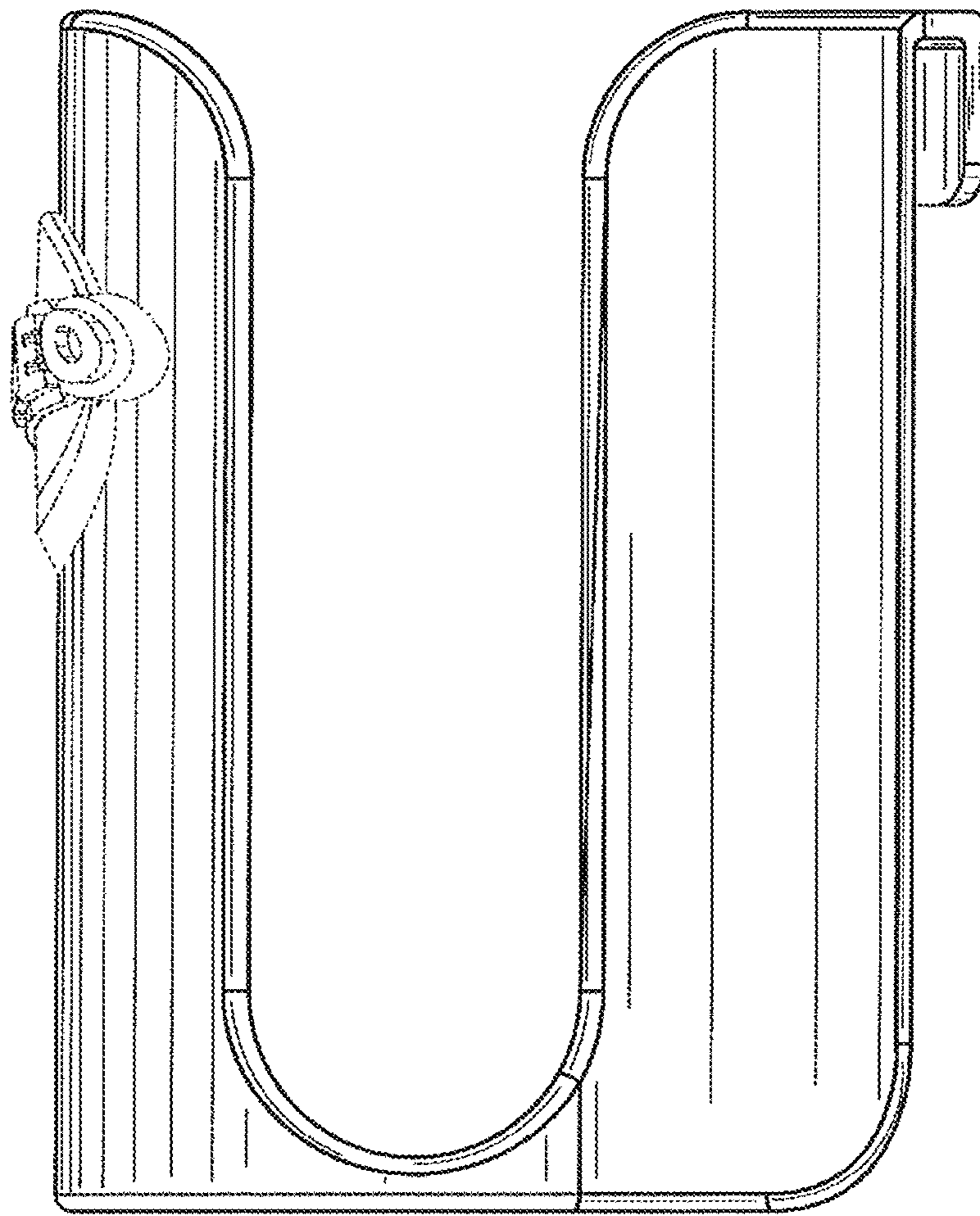


Fig.6

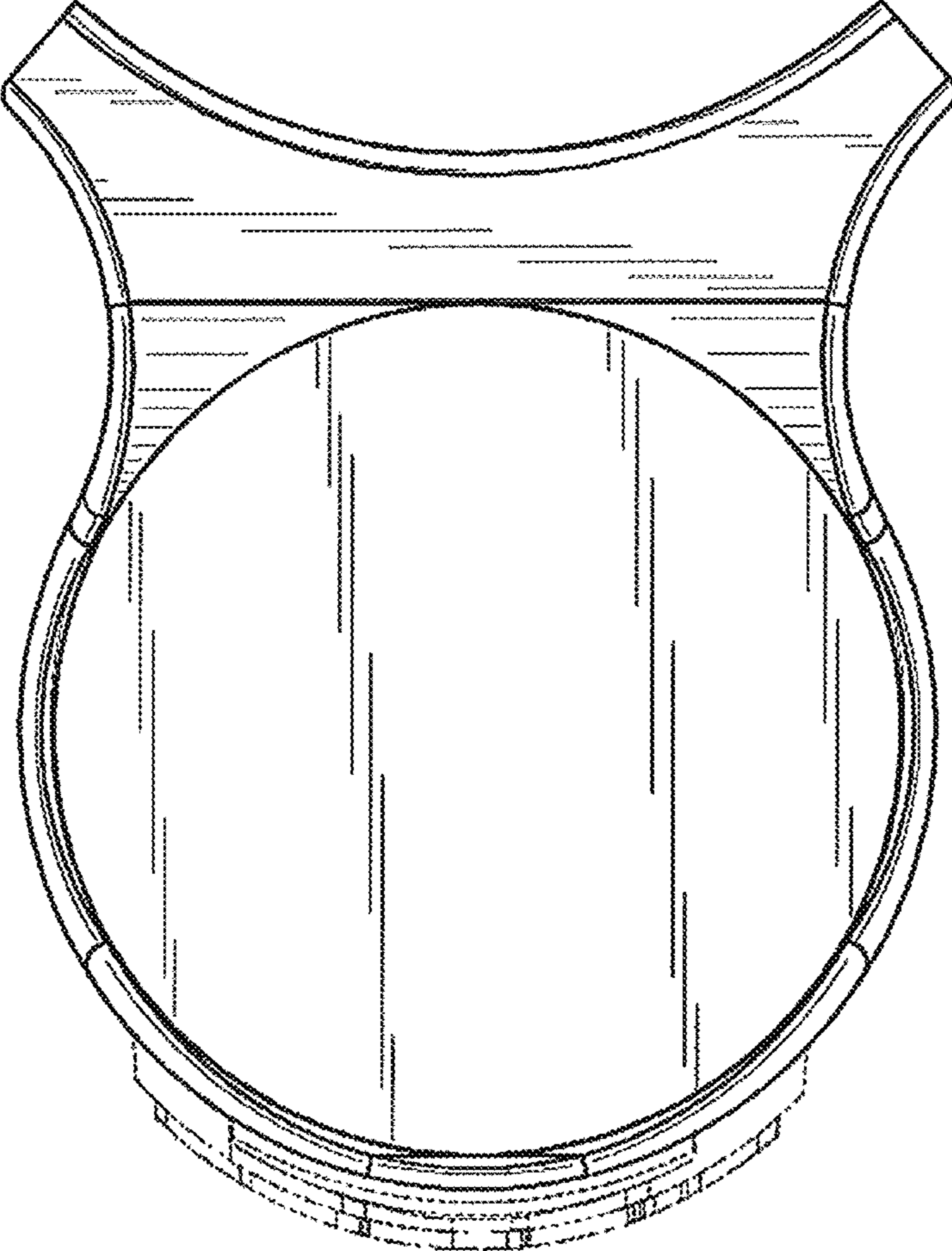


Fig.7

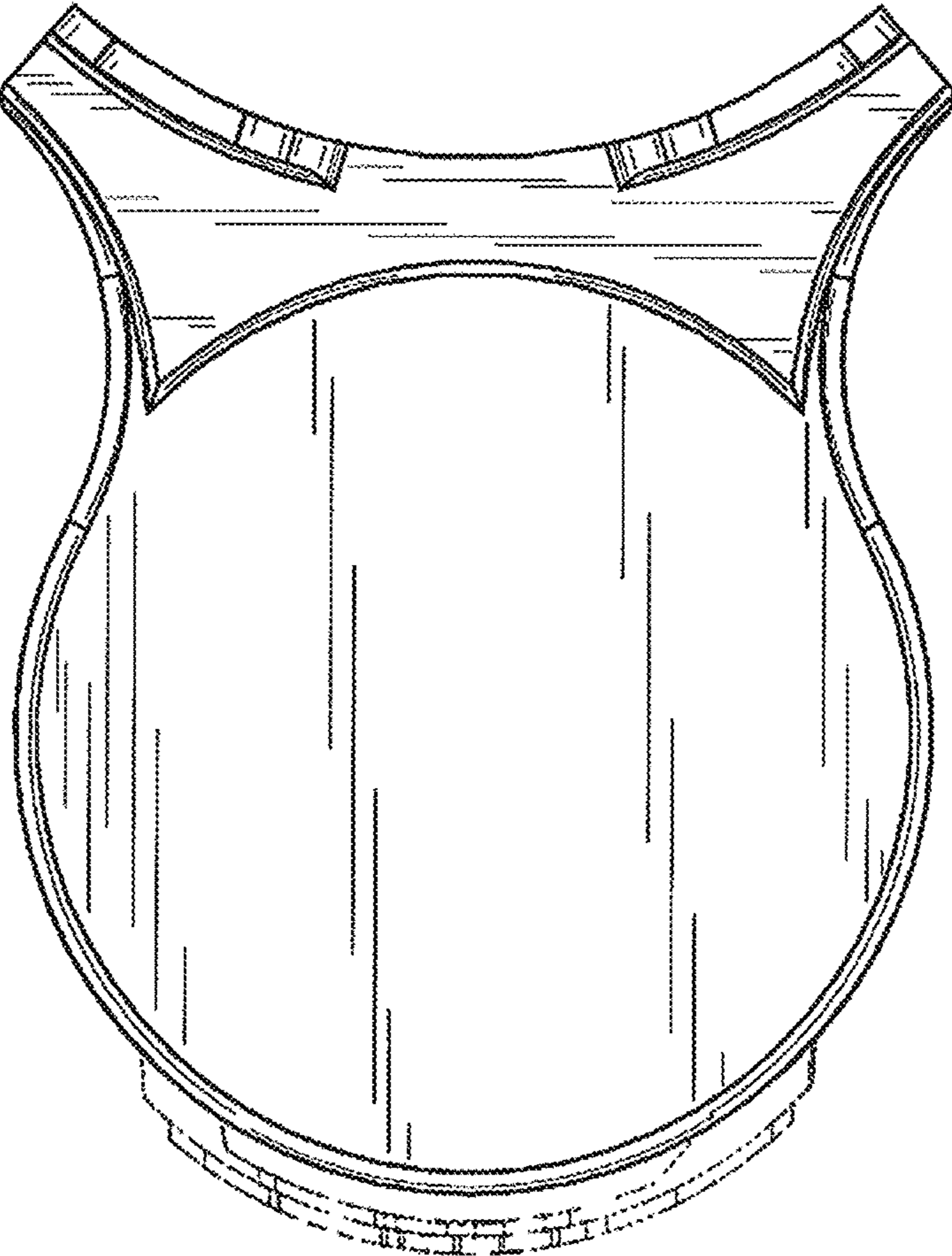


Fig.8