

US00D899857S

(12) **United States Design Patent**
Jacobsen

(10) **Patent No.:** **US D899,857 S**

(45) **Date of Patent:** **** *Oct. 27, 2020**

- (54) **TUMBLER WITH LID**
- (71) Applicant: **RTIC OUTDOORS, LLC**, Houston, TX (US)
- (72) Inventor: **James Matthew Jacobsen**, Houston, TX (US)
- (73) Assignee: **RTIC Outdoors, LLC**, Houston, TX (US)

D803,684 S * 11/2017 Seiders D9/449
 D808,218 S * 1/2018 Seiders D7/510
 D814,240 S * 4/2018 Kabalin D7/510
 9,938,054 B2 4/2018 Choitco-Devlin
 D817,086 S 5/2018 Guthrie
 (Continued)

- (*) Notice: This patent is subject to a terminal disclaimer.
- (**) Term: **15 Years**

- (21) Appl. No.: **29/619,531**
- (22) Filed: **Sep. 29, 2017**
- (51) **LOC (12) Cl.** **07-01**
- (52) **U.S. Cl.**
USPC **D7/511**
- (58) **Field of Classification Search**
USPC D7/396.1, 396.2, 397, 509, 510, 511,
D7/523, 900; D9/516, 544, 545, 546,
D9/549, 434, 435
CPC A45F 3/16; A47G 19/2216; A47G 19/22;
A47G 19/2272; B65D 41/04; B65D
41/0414; B65D 51/18; A47J 43/27
See application file for complete search history.

(56) **References Cited**
U.S. PATENT DOCUMENTS

5,203,468 A	4/1993	Hsu	
5,769,266 A *	6/1998	Willbrandt B65D 1/265 220/669
D416,755 S	11/1999	Trombly	
D417,365 S *	12/1999	Huang D7/511
D715,100 S	11/2014	Eyal	
D790,272 S	6/2017	Han	
D801,746 S	11/2017	Thuma et al.	
D802,362 S	11/2017	Spivey et al.	
D803,619 S	11/2017	Seiders et al.	

OTHER PUBLICATIONS

RTIC Tumbler 30ozl posted at Amazon.com, posted on Aug. 16, 2016 © 1996-2018 Amazon.com, [online], [site visited Dec. 19, 2018]. Available from Internet, <URL: https://www.amazon.com/RTIC-191-Insulated-Tumbler-Stainless/dp/B07572PCPG/ref=sr_1_3?ie=UTF8&qid=1545397965&sr=8-3&keywords=rtic+tumbler+30+oz> (Year: 2016).*

(Continued)

Primary Examiner — Susan E Krakower
Assistant Examiner — Andrew Kerr
 (74) *Attorney, Agent, or Firm* — Fish & Richardson P.C.

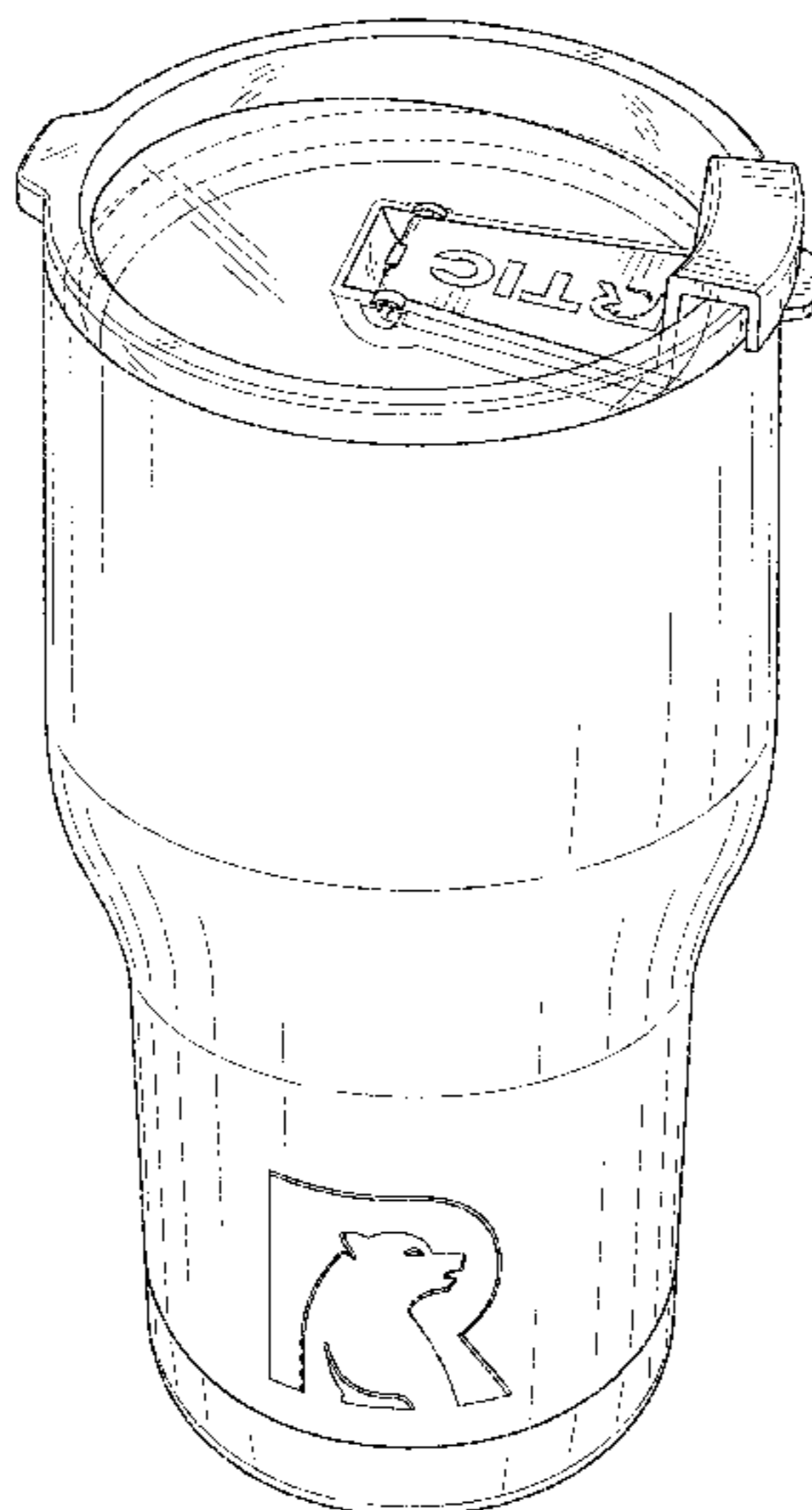
(57) **CLAIM**

The ornamental design for a tumbler with lid, substantially as shown and described.

DESCRIPTION

FIG. 1 is a perspective view of a tumbler with lid, showing my design.
 FIG. 2 is a front view of the tumbler with lid.
 FIG. 3 is a rear view of the tumbler with lid.
 FIG. 4 is a right side view of the tumbler with lid.
 FIG. 5 is a left side view of the tumbler with lid.
 FIG. 6 is a top view of the tumbler with lid; and,
 FIG. 7 is a bottom view of the tumbler with lid.
 The surface shading and contour lines shown in the drawings represent shading and contours.
 The broken lines in the drawings depict portions of the tumbler with lid that form no part of the claimed design.
 The RTIC logo consisting of an image of a bear and a stylized “R” in the drawings is a registered trademark of RTIC IP LLC.

1 Claim, 6 Drawing Sheets



(56)

References Cited

OTHER PUBLICATIONS

'amazon.com' [online]. "True Leak splash spill proof Lid for Yeti RTIC and other tumblers (20oz & 30oz, Black)" Published on or before Aug. 23, 2017, Retrieved from the Internet: URL<https://www.amazon.com/dp/B01MYOTR5W/ref=sspa_dk_detail_0?psc=1&pd_rd_i=B_01MYOTR5W&pd_rd_wg=rdq1w&pd_rd_r=0RRRSCG1FHVBTR55CJZ2&pd_rd_w=M1AC7>. 8 pages.

'amazon.com' [online]. "Tumbler Lid for 20 Oz Yeti Rambler, Rtic and 10 Oz Lowball Tumblers Cup Leak Splash SPill Proof and Straw Friendly (20 oz Blue)," Published on or before Aug. 23, 2017, Retrieved from the Internet: URL<https://www.amazon.com/Tumbler-Rambler-Lowball-Tumblers-Friendly/dp/B06XKCF8CD/ref=sr_1_42?ie=UTF8&qid=1514903764&sr=8-42&keywords=spill+proof+lid>. 7 pages.

'amazon.com' [online]. "Tumbler Replacement Lids, IHUIXINHE Spill Proof and Splash Resistant.Lid for Rambler, Ozark Trail, Rtic, BPA Free & Straw Friendly," Published on or before Aug. 23, 2017, Retrieved from the Internet: URL<https://www.amazon.com/Tumbler-Replacement-IHUIXINHE-Resistant-Friendly/dp/B07588JDT8/ref=sr_1_20?ie=UTF8&qid=1514903734&sr=8-20&keywords=spill+proof+lid>. 7 pages.

'amazon.com' [online]. "Ultimate Splash-Proof Tumbler Lids 3PK / Air-Tight Seal Coffee Mug Cover / Spill-Resistant Cup Cover for Yeti Rambler 20oz Tumbler," Published on or before Aug. 23, 2017, Retrieved from the Internet: URL<https://www.amazon.com/Ultimate-Splash-Proof-Tumbler-Air-Tight-Spill-Resistant/dp/B07465XH5W/ref=sr_1_90?ie=UTF8&qid=1514904151&sr=8-90&keywords=spill+proof+lid>. 7 pages.

'amazon.com' [online]. "Umiwe Tumbler Lid for Yeti Rambler RTIC Ozark Trail 20 Oz Spill Proof and Splash Resistant Replacement Lid—Straw Friendly (2 pack-20 Oz)," Published on or before Aug. 23, 2017, Retrieved from the Internet: URL<https://www.amazon.com/Umiwe-Tumbler-Rambler-Resistant-Replacement/dp/B01MQTR76C/ref=sr_1_25?ie=UTF8&qid=1514903393&sr=8-25&keywords=no+leak+lid>. 9 pages.

'amazon.com' [online]. "Wanleo Spill Proof and Splash Resistant Lid for RTIC Rambler Yeti Ozark Trail SIC Tumbler 30 oz, Black," Published on or before Aug. 23, 2017, Retrieved from the Internet:

URL<https://www.amazon.com/Wanleo-Splash-Resistant-Rambler-Tumbler/dp/B01LXWN9CD/ref=sr_1_186?ie=UTF8&qid=1514904473&sr=8-186&keywords=spill+proof+lid>. 5 pages.

'amazon.com' [online]. "YouZi Spill Proof and Splash Resistant Lid for Yeti Rambler Rtic Ozark Trails Tumbler Cups 30 oz, Pack of 2 (Blue)," Published on or before Aug. 23, 2017, Retrieved from the Internet: URL<https://www.amazon.com/YouZi-Splash-Resistant-Rambler-Tumbler/dp/B073D5F22R/ref=sr_1_125?ie=UTF8&qid=1514904334&sr=8-125&keywords=spill+proof+lid>. 7 pages.

'takeyusa.com' [online]. "20oz Actives Flip Lid," Published on or before Aug. 23, 2017, Retrieved from the Internet: URL<<https://takeyusa.com/collections/accessories/products/20oz-lid>>. 4 pages.

'wayfair.com' [online]. "Double Walled Stainless Steel Coffee Tumbler with Silicone Rings," Published on or before Aug. 23, 2017, Retrieved from the Internet: URL<<https://www.wayfair.com/kitchen-tabletop/pdp/cook-pro-double-walled-stainless-steel-coffee-tumbler-with-silicone-rings-kpo1237.html?PiID%5B%5D=18695727&source=hotdeals&piid=18695727>>. 4 pages.

20 oz Tumbler, RTIC IP, LLC, first disclosed on Nov. 1, 2015, 9 pages.

30 oz Tumbler, RTIC IP, LLC, first disclosed on Nov. 1, 2015, 9 pages.

RTIC Spill Proof & Splash Resistant Lid for RTIC Tumbler: Announced Feb. 28, 2018 [online]. Site visited [Aug. 8, 2018]. Available from Internet URL: https://www.amazon.com/RTIC-Splash-Resistant-Design-ozTumbler/dp/B07982FXPF/ref=cm_cr_arp_d_product_top?ie=UTF8, 3 pages.

Senhai Tumbler Lid: Announced Jul. 16, 2017 [online]. Site Visited Aug. 6, 2018. Available from Internet URL: https://www.amazon.com/Tumbler-SENHAI-Spill-proof-Resistant-Tumblers/dp/B01NBQVXJS/ref=cm_cr_arp_d_product_top?ie=UTF8, 17 pages.

U.S. Appl. No. 29/619,539, filed Sep. 29, 2017, Jacobsen.

U.S. Appl. No. 29/619,535, filed Sep. 29, 2017, Jacobsen.

U.S. Appl. No. 29/619,530, filed Sep. 29, 2017, Jacobsen.

U.S. Appl. No. 29/619,545, filed Sep. 29, 2017, Jacobsen.

U.S. Appl. No. 29/682,106, filed Mar. 1, 2019, Jacobsen.

* cited by examiner

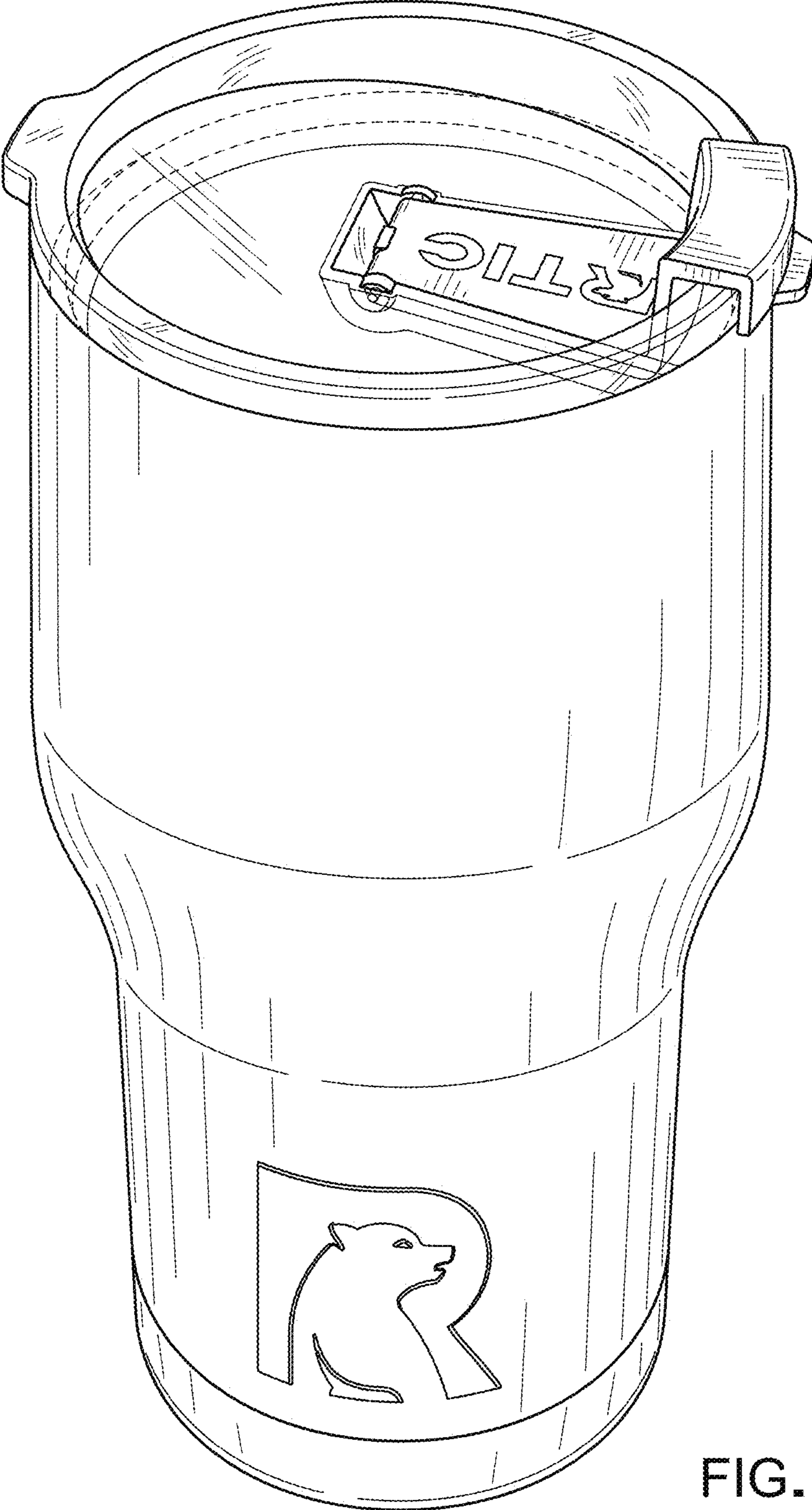


FIG. 1

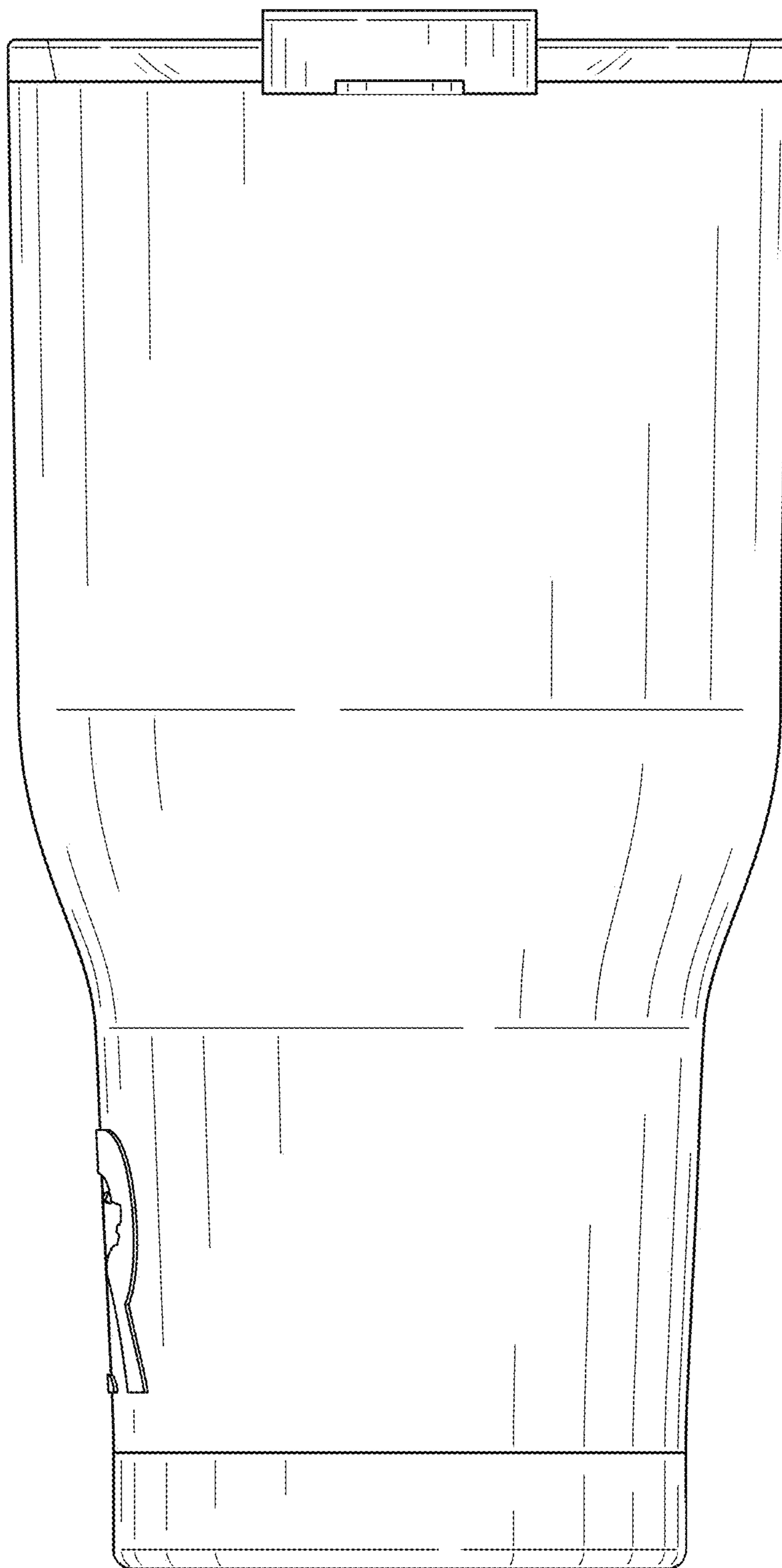


FIG. 2

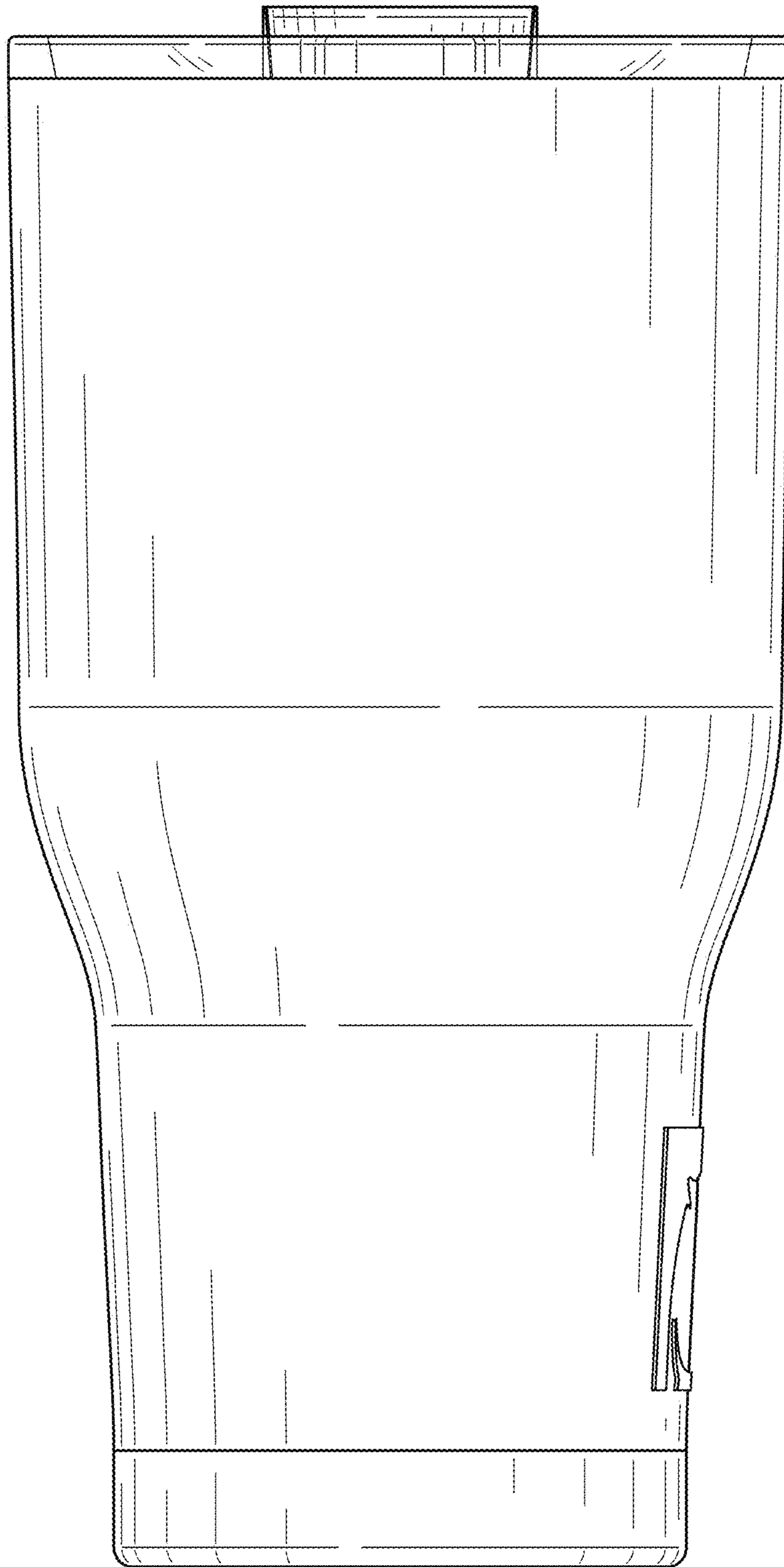


FIG. 3

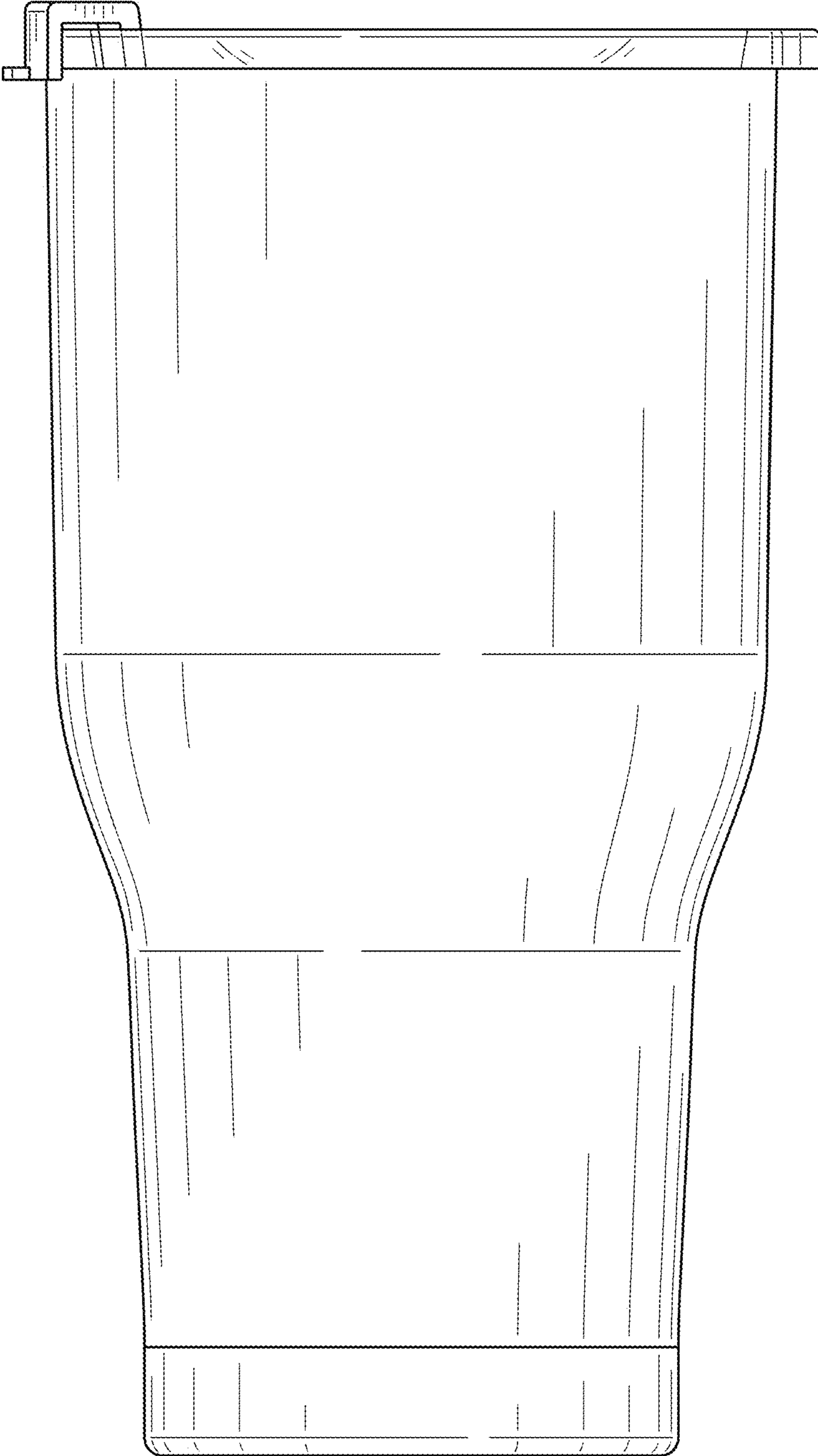


FIG. 4

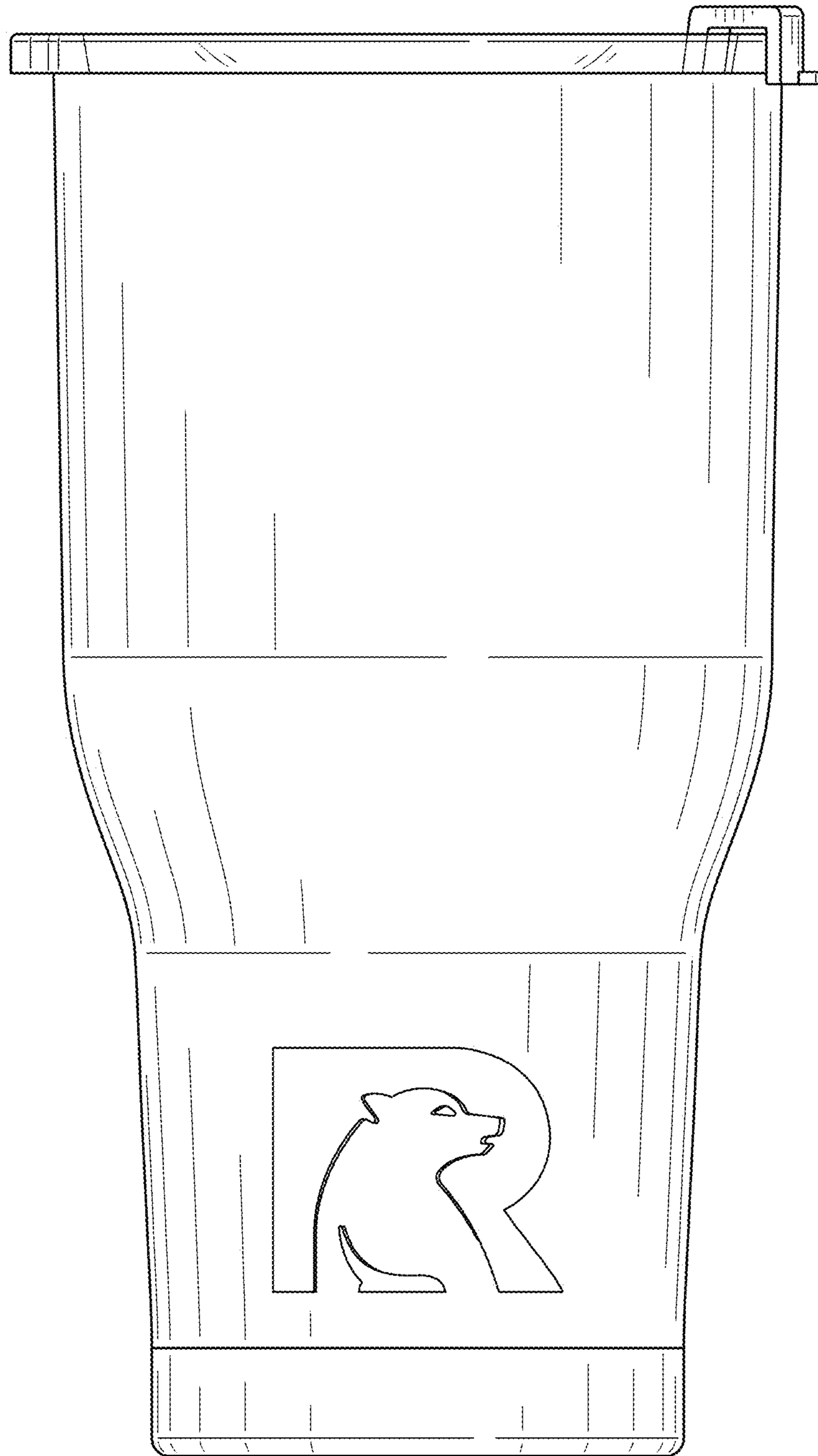


FIG. 5

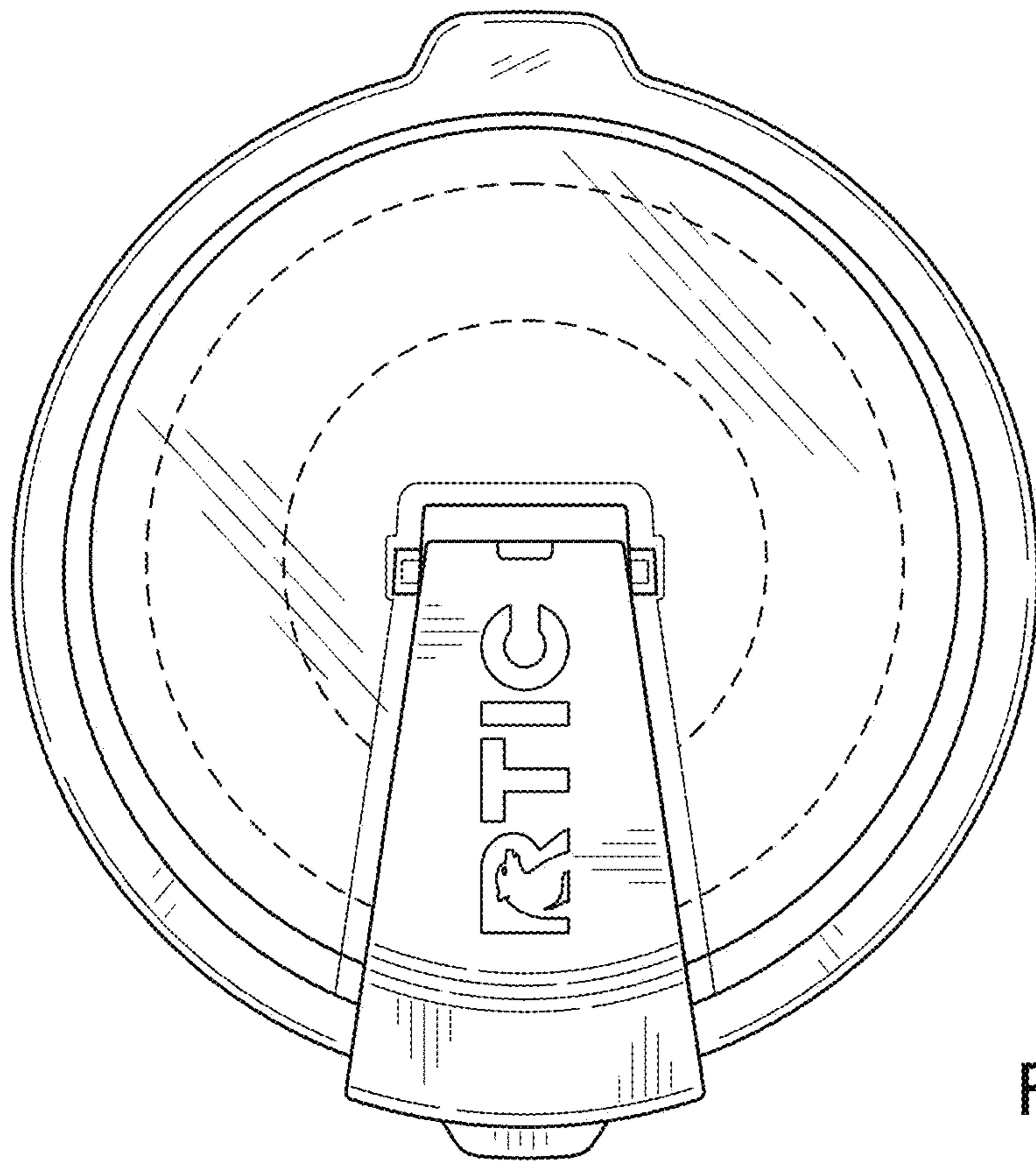


FIG. 6

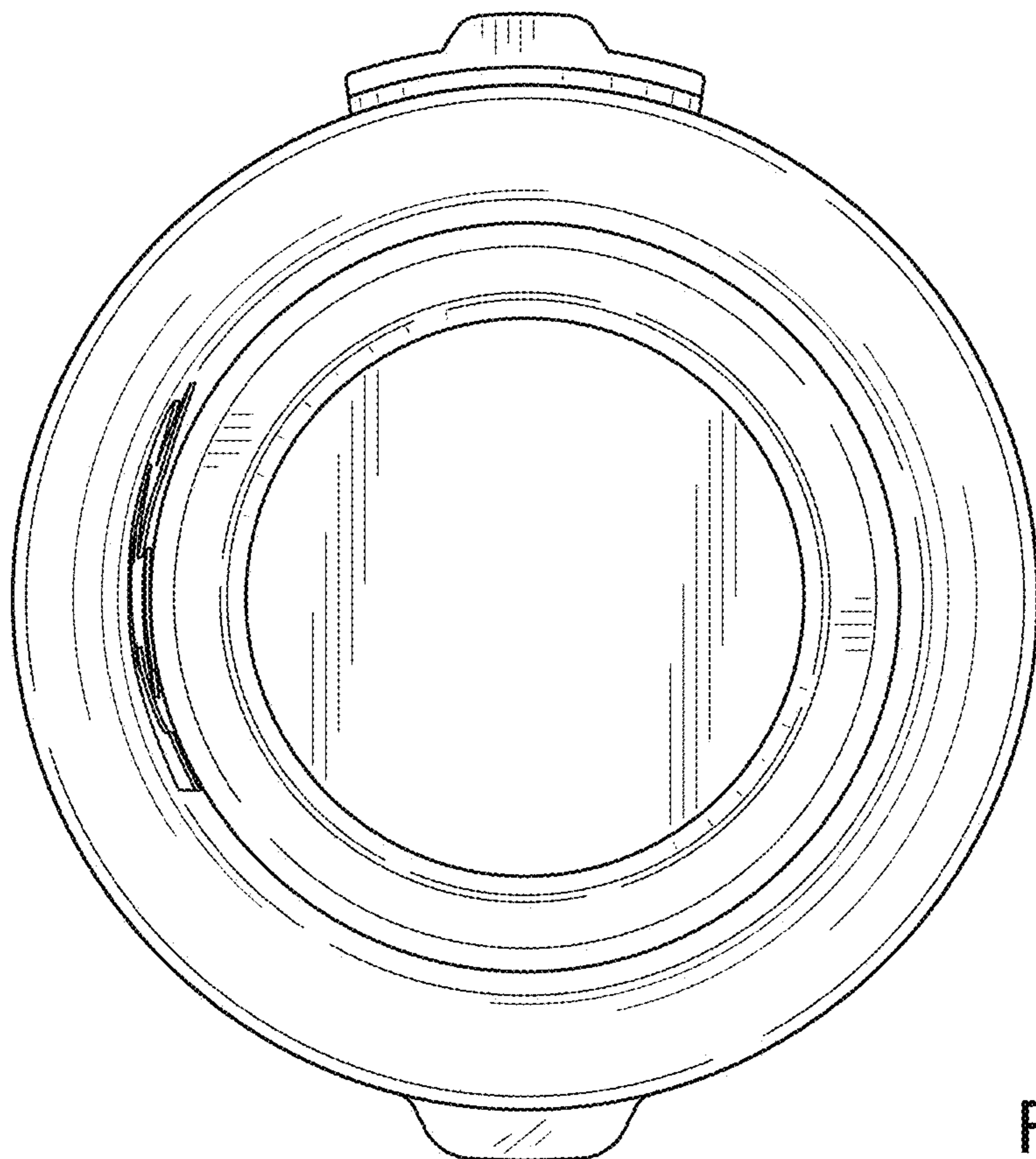


FIG. 7