



US00D899855S

(12) **United States Design Patent**  
**Goto**

(10) **Patent No.:** **US D899,855 S**

(45) **Date of Patent:** **\*\* Oct. 27, 2020**

(54) **TUMBLER**

(71) Applicant: **ZOJIRUSHI CORPORATION**,  
Osaka-shi, Osaka (JP)

(72) Inventor: **Tamami Goto**, Hyogo (JP)

(73) Assignee: **Zojirushi Corporation**, Osaka (JP)

(\*\*) Term: **15 Years**

(21) Appl. No.: **29/705,773**

(22) Filed: **Sep. 16, 2019**

(51) **LOC (12) Cl.** ..... **07-01**

(52) **U.S. Cl.**  
USPC ..... **D7/510; D7/511; D7/532**

(58) **Field of Classification Search**  
USPC ..... D7/507, 509, 510, 511, 529, 531, 532,  
D7/523, 533, 534, 535, 536, 392.1, 296.1,  
D7/396.2, 300.1, 608; D3/202; D26/9  
CPC ..... A47G 19/22; A47G 19/2288; A47G  
19/2205; A47G 19/2216; A47G 19/2211;  
A47J 41/0077; A47J 41/0088; A47J  
43/27; B65D 1/265  
See application file for complete search history.

(56) **References Cited**

**U.S. PATENT DOCUMENTS**

D370,156 S *	5/1996	Feltman, III	.....	D7/511
D373,927 S *	9/1996	Kramer	.....	D7/391
D550,508 S *	9/2007	Tien	.....	D7/510
D588,412 S *	3/2009	Brooks	.....	D7/510
D614,955 S *	5/2010	Cresswell	.....	D9/447
D622,545 S *	8/2010	Wahl	.....	D7/510
D642,862 S	8/2011	Tobias		
D642,863 S	8/2011	Tobias		
D642,864 S	8/2011	Tobias		
D643,245 S	8/2011	Minarsch		
D643,679 S	8/2011	Lu		
D650,231 S *	12/2011	Gilbert	.....	D7/510

D654,762 S *	2/2012	Gilbert	.....	D7/510
D659,474 S *	5/2012	Wahl	.....	D7/510
D675,063 S *	1/2013	Wahl	.....	D7/510
D686,074 S *	7/2013	Brinckerhoff	.....	D9/447
D686,454 S	7/2013	Roth		
D727,681 S *	4/2015	Osgood	.....	D7/392.1
D760,542 S *	7/2016	Vu	.....	D7/511
D788,530 S	6/2017	Kestenbaum et al.		
D788,583 S	6/2017	Tu		
D790,921 S *	7/2017	Lapsker	.....	D7/510
D826,641 S *	8/2018	Nickley	.....	D7/510
D827,380 S *	9/2018	Tapocik	.....	D7/536
D859,920 S *	9/2019	Barber	.....	D7/511

(Continued)

**FOREIGN PATENT DOCUMENTS**

JP	1315348 S	11/2007
JP	1316534 S	12/2007

(Continued)

*Primary Examiner* — Jae Liang

(74) *Attorney, Agent, or Firm* — Sterne, Kessler,  
Goldstein & Fox P.L.L.C.

(57) **CLAIM**

The ornamental design for a tumbler, as shown and described.

**DESCRIPTION**

FIG. 1 is a top perspective view of a tumbler showing the claimed design;

FIG. 2 is a bottom perspective view thereof;

FIG. 3 is a front view thereof, a rear view being a mirror image thereof;

FIG. 4 is a left side view thereof;

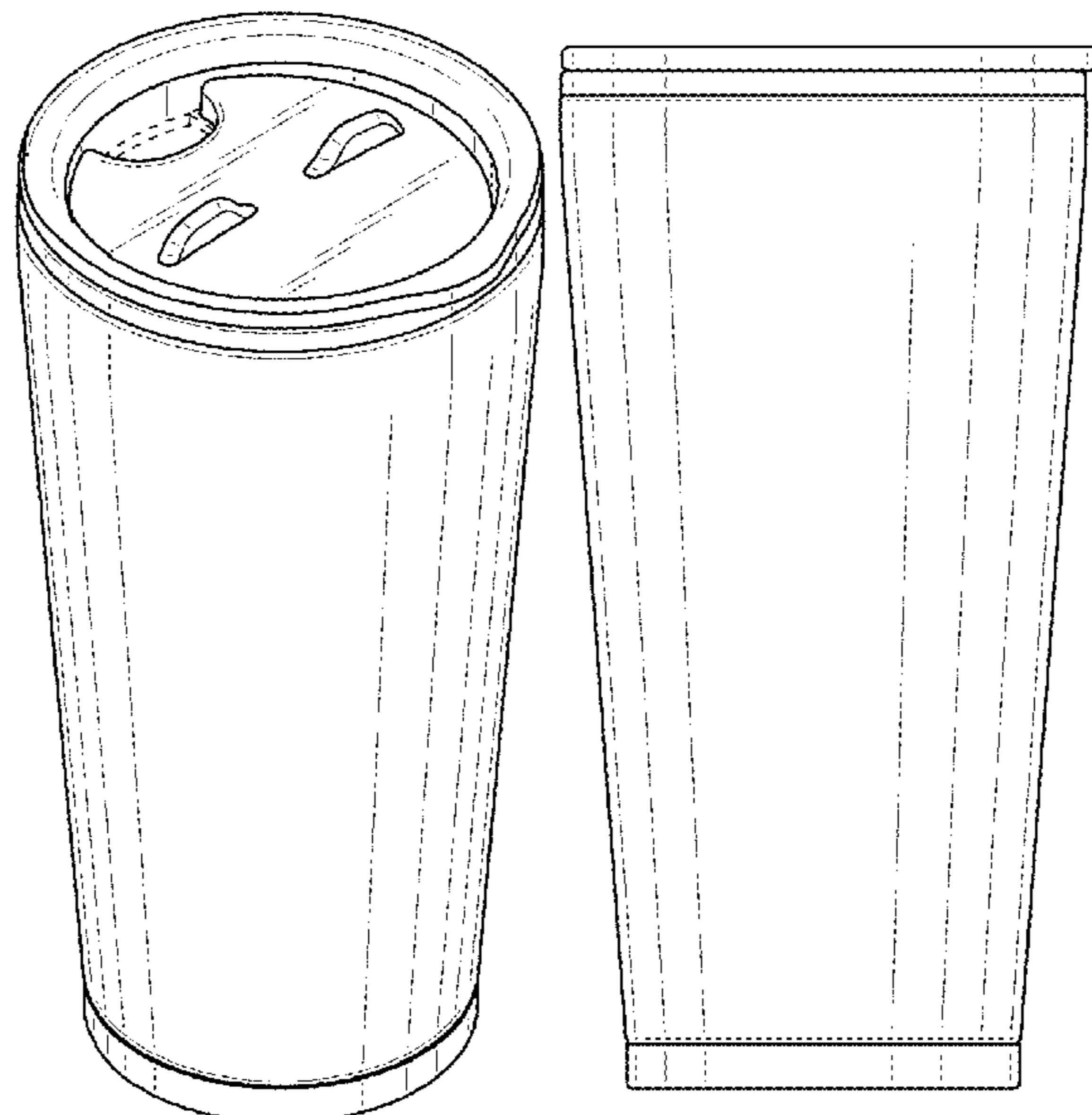
FIG. 5 is a right side view thereof;

FIG. 6 is a top view thereof; and,

FIG. 7 is a bottom view thereof.

The broken lines in the figures show portions of the tumbler that form no part of the claimed design.

**1 Claim, 4 Drawing Sheets**



(56)

**References Cited**

U.S. PATENT DOCUMENTS

D873,610 S \* 1/2020 Stanton ..... D7/510  
D883,026 S \* 5/2020 Fleischhut ..... D7/392.1  
2018/0194520 A1\* 7/2018 Lovern ..... A01N 25/34

FOREIGN PATENT DOCUMENTS

JP 1384442 S 4/2010  
JP 1384656 S 4/2010  
JP 1396125 S 8/2010  
JP 1396126 S 8/2010  
JP 1396754 S 9/2010  
JP 1411023 S 4/2011  
JP 1411024 S 4/2011  
JP 1422789 S 9/2011  
JP 1424703 S 10/2011  
JP 1465874 S 4/2013  
JP 1466134 S 4/2013  
JP 1498147 S 5/2014  
JP 1507225 S 9/2014  
JP 1519255 S 3/2015  
JP 1519256 S 3/2015  
JP 1527758 S 6/2015  
JP 1528087 S 7/2015  
JP 1585816 S 9/2017  
JP 1588143 S 10/2017  
JP 1609244 S 7/2018  
JP 1609338 S 7/2018  
TW D155264 S 8/2013  
TW D190278 S 5/2018  
WO WO-DM089779 5/2016

\* cited by examiner

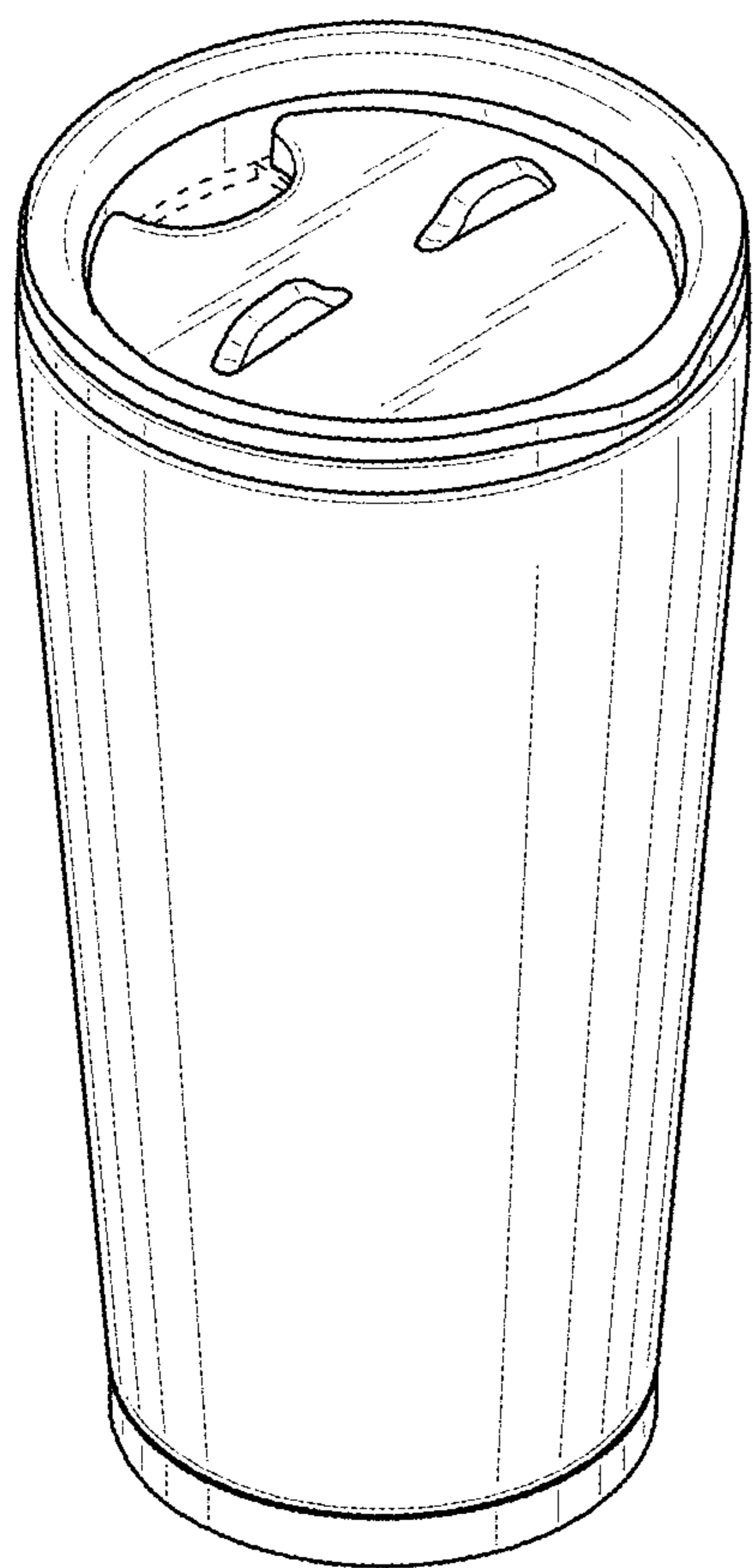


FIG. 1

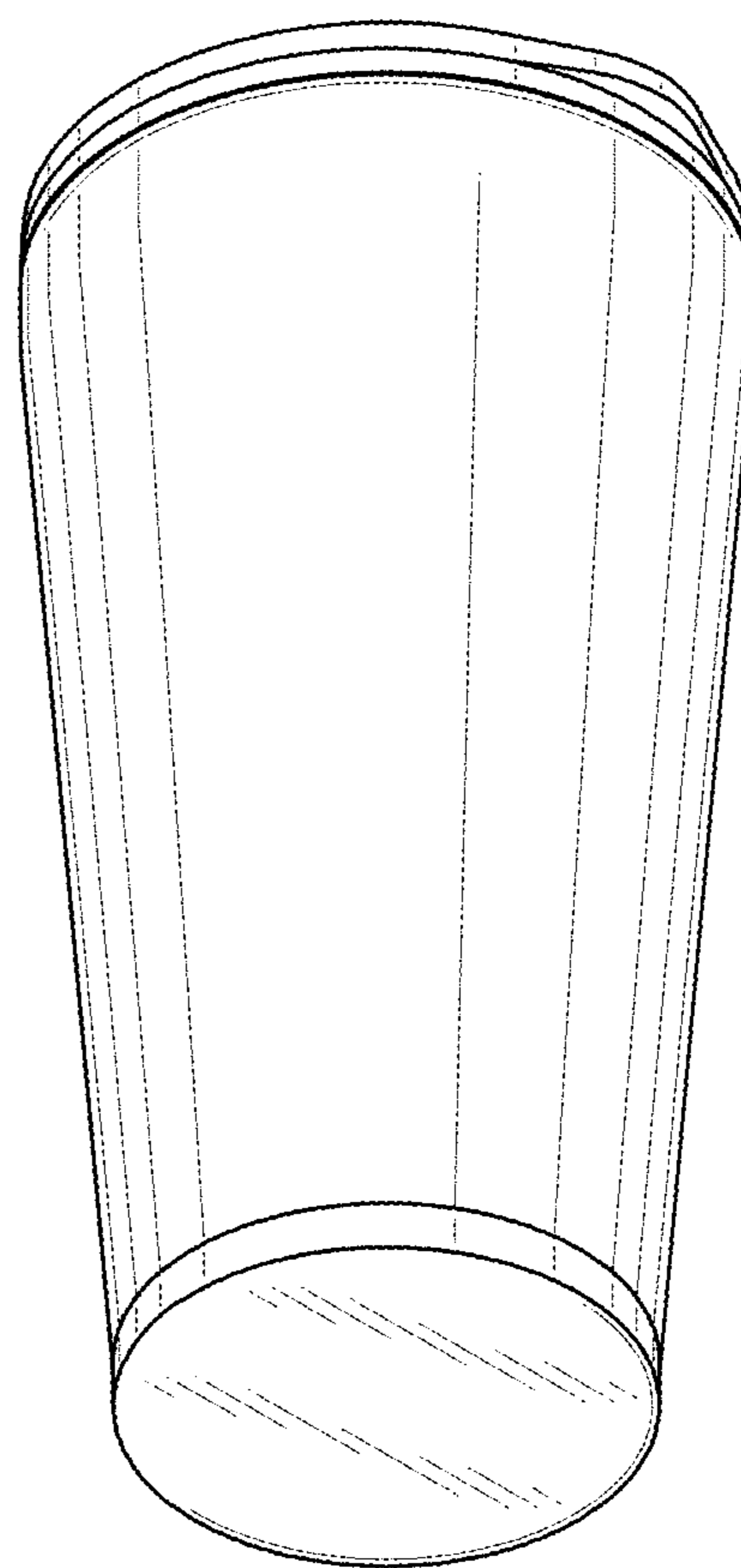


FIG. 2

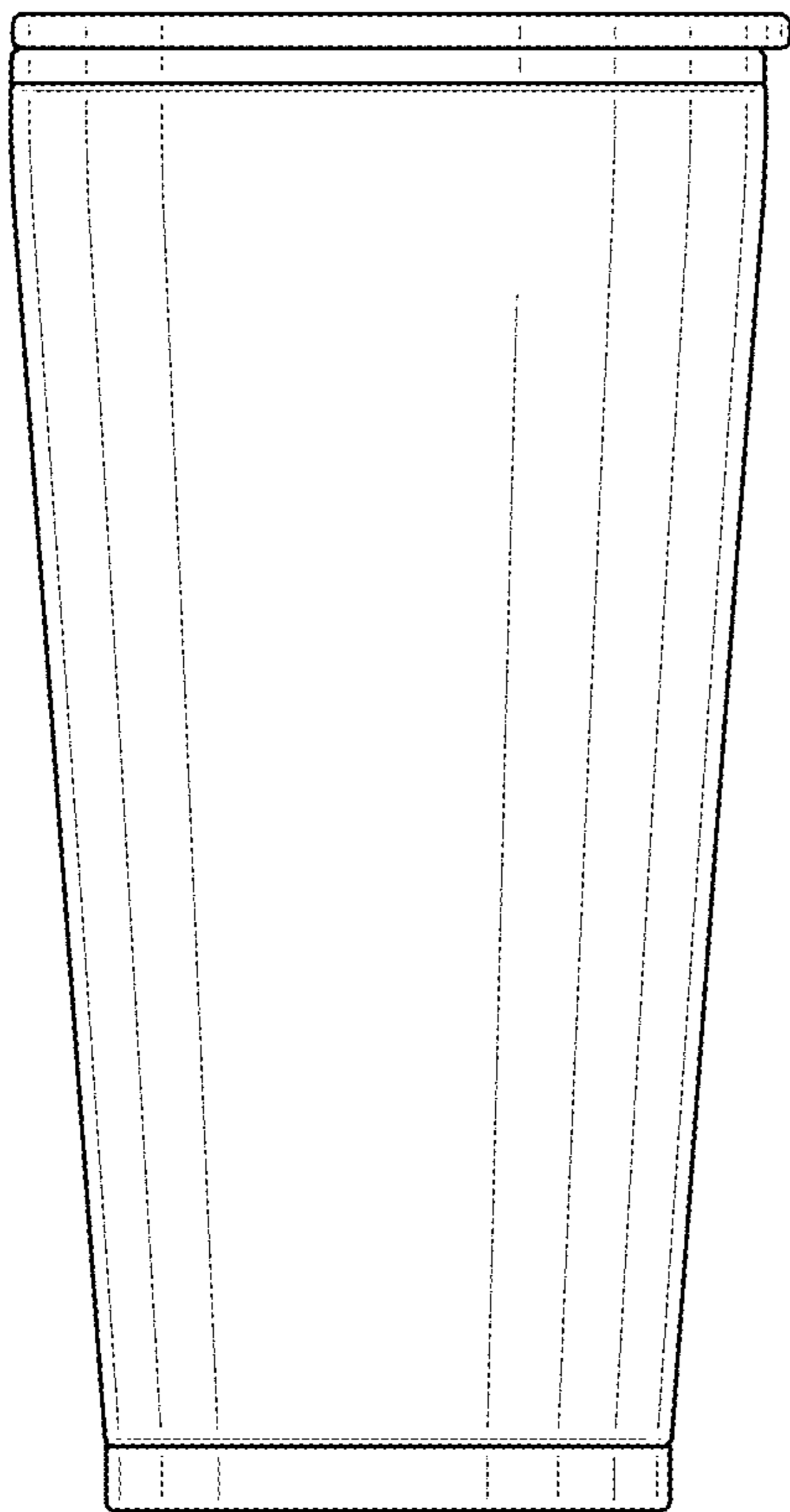


FIG. 3

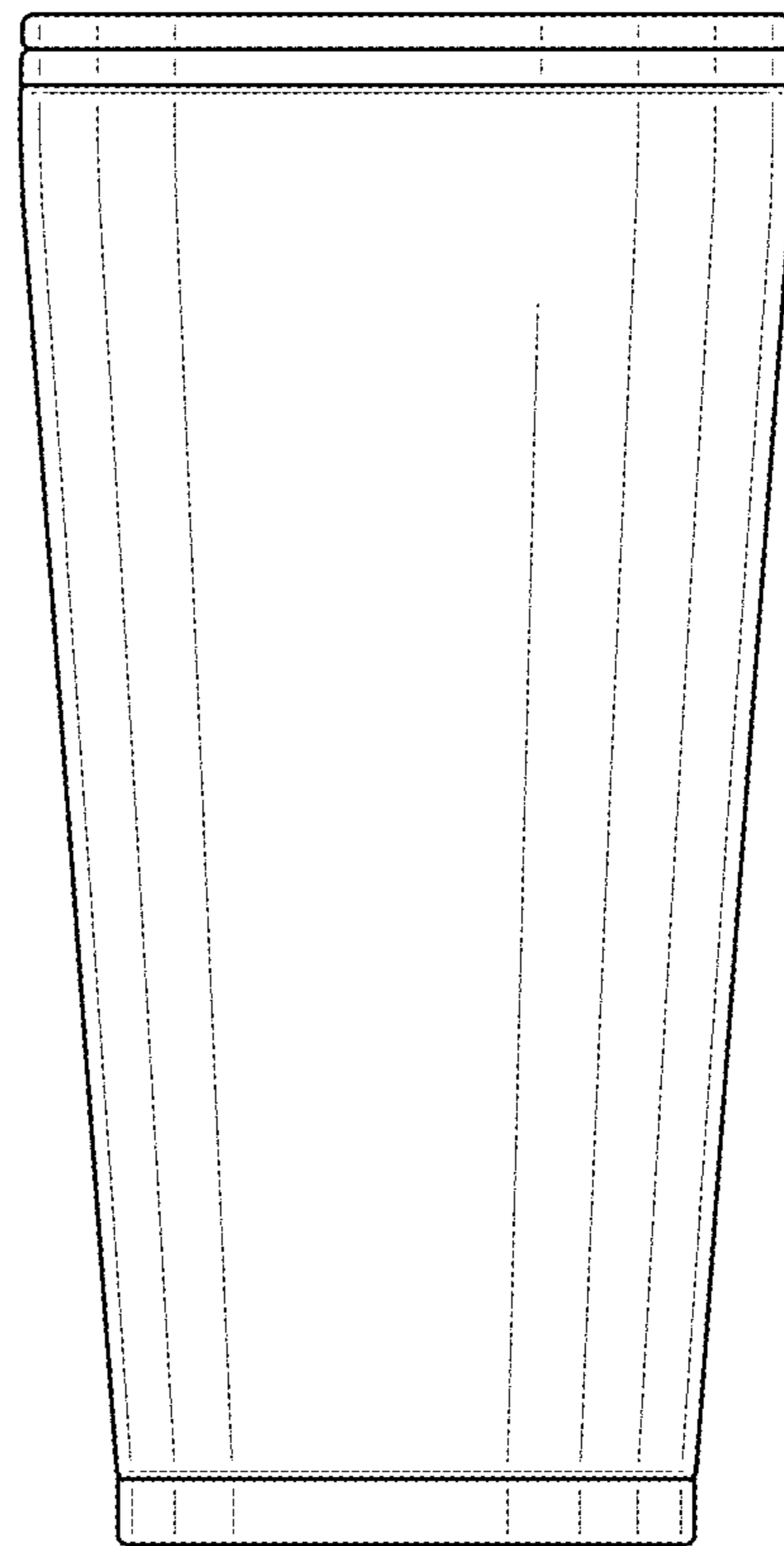


FIG. 4

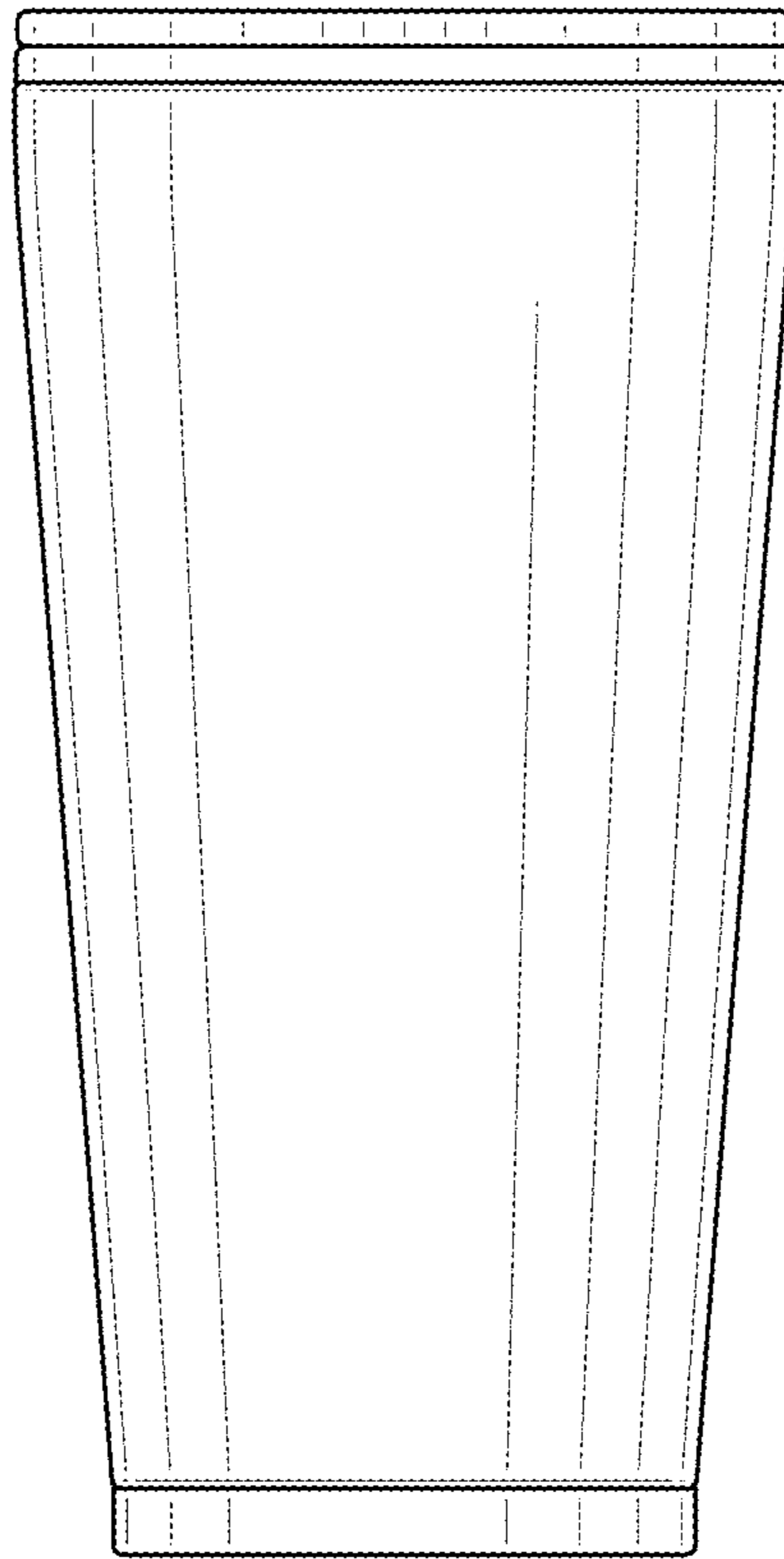


FIG. 5

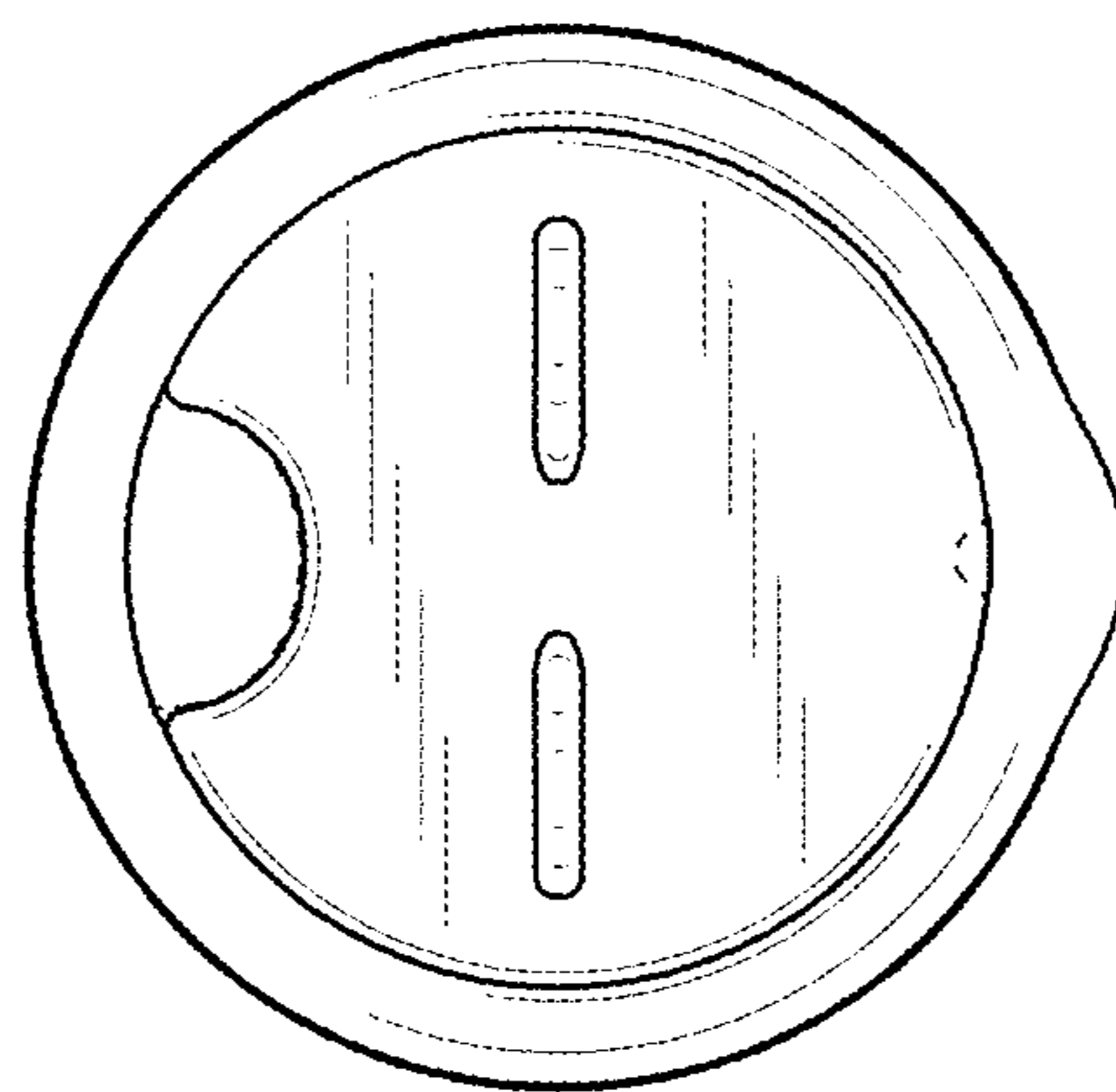


FIG. 6

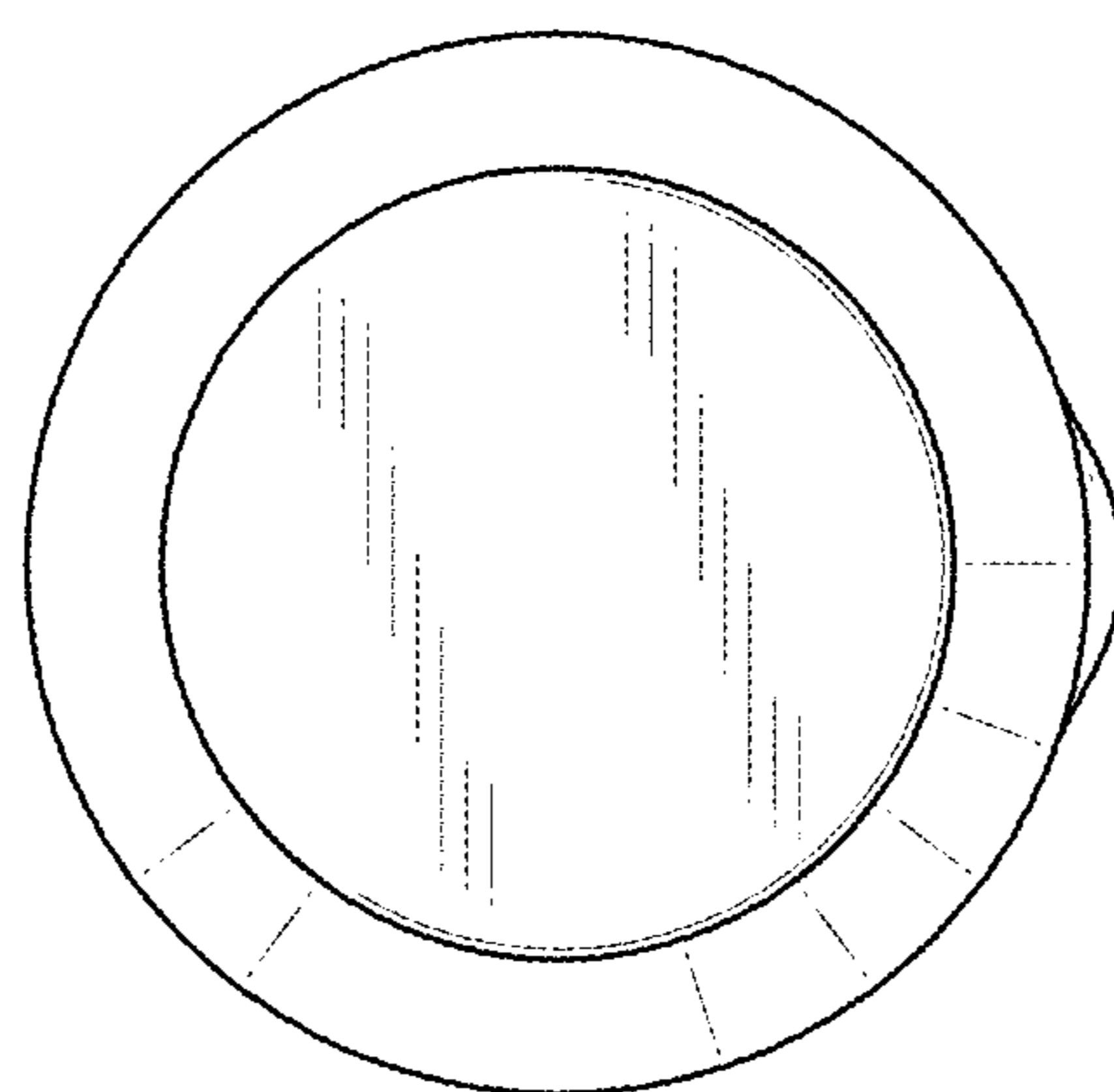


FIG. 7