



US00D899853S

(12) **United States Design Patent**  
**Veldkamp**

(10) **Patent No.:** **US D899,853 S**  
(45) **Date of Patent:** **\*\* Oct. 27, 2020**

(54) **FOOD ROASTER**  
(71) Applicant: **Spectrum Diversified Designs, LLC**,  
Streetsboro, OH (US)  
(72) Inventor: **Derek Veldkamp**, Seattle, WA (US)  
(73) Assignee: **SPECTRUM DIVERSIFIED**  
**DESIGNS, LLC**, Streetsboro, OH (US)  
(\*\*) Term: **15 Years**

4,979,759 A \* 12/1990 Solovay ..... B62H 3/10  
211/17  
6,945,161 B1 \* 9/2005 Battaglia ..... A47J 37/0694  
211/181.1  
D532,659 S \* 11/2006 Britt ..... D7/669  
D612,693 S \* 3/2010 Accardo ..... D7/669  
8,181,922 B2 \* 5/2012 Dennison ..... G10H 1/32  
248/175  
D666,872 S \* 9/2012 Maher ..... D7/402  
D670,968 S \* 11/2012 Maher ..... D7/403  
D692,722 S \* 11/2013 Maher ..... D7/402  
D717,596 S \* 11/2014 Maher ..... D7/402

(Continued)

(21) Appl. No.: **29/689,861**

(22) Filed: **May 2, 2019**

(51) **LOC (12) Cl.** ..... **07-02**

(52) **U.S. Cl.**  
USPC ..... **D7/409**

(58) **Field of Classification Search**  
USPC ..... D7/323, 332, 335-337, 354-355,  
D7/359-364, 387-388, 402-403,  
D7/407-409, 669

CPC .. A01G 9/088; A21B 2/00; A21B 3/00; A21B  
3/13; A21B 3/15; A21B 5/00; A21B 5/02;  
A23N 12/06; A23N 12/08; A23N 12/10;  
A47J 37/00; A47J 37/04; A47J 37/041;  
A47J 37/042; A47J 37/06; A47J 37/0688;  
A47J 37/0694; A47J 37/07; A47J  
37/0704; A47J 37/0786; A47J 37/10;  
A47J 43/18; A47J 47/20; A47J 2037/00;  
A47J 2037/06; A47J 2037/0611; A47J  
2037/07; A47J 2037/0786; A47J  
2037/0795; B62H 3/10; F24C 15/10;  
F24C 15/12; F24C 15/14; F24C 15/16;  
F24C 15/18; F24C 15/164; G10H 1/32  
See application file for complete search history.

(56) **References Cited**

**U.S. PATENT DOCUMENTS**

3,078,020 A \* 2/1963 Boonstra ..... A01G 9/088  
294/159  
4,458,585 A \* 7/1984 Erbach ..... A47J 37/0786  
211/181.1

**OTHER PUBLICATIONS**

The Chicken Hook Inverted Suspension Chicken Roaster Stainless Steel, Rotisserie and Beer Can Chicken Alternative, Amazon.com website, <https://www.amazon.com/Elevated-Cook-Suspension-Rotisserie-Alternative/dp/B0765NS3VP?th=1>, dated Apr. 18, 2019, 1 page.

*Primary Examiner* — Ricky Pham

(74) *Attorney, Agent, or Firm* — Tucker Ellis LLP

(57) **CLAIM**

The ornamental design for a food roaster, as shown and described.

**DESCRIPTION**

FIG. 1 is a perspective view of a food roaster showing my new design.

FIG. 2 is a front view thereof.

FIG. 3 is a rear view thereof.

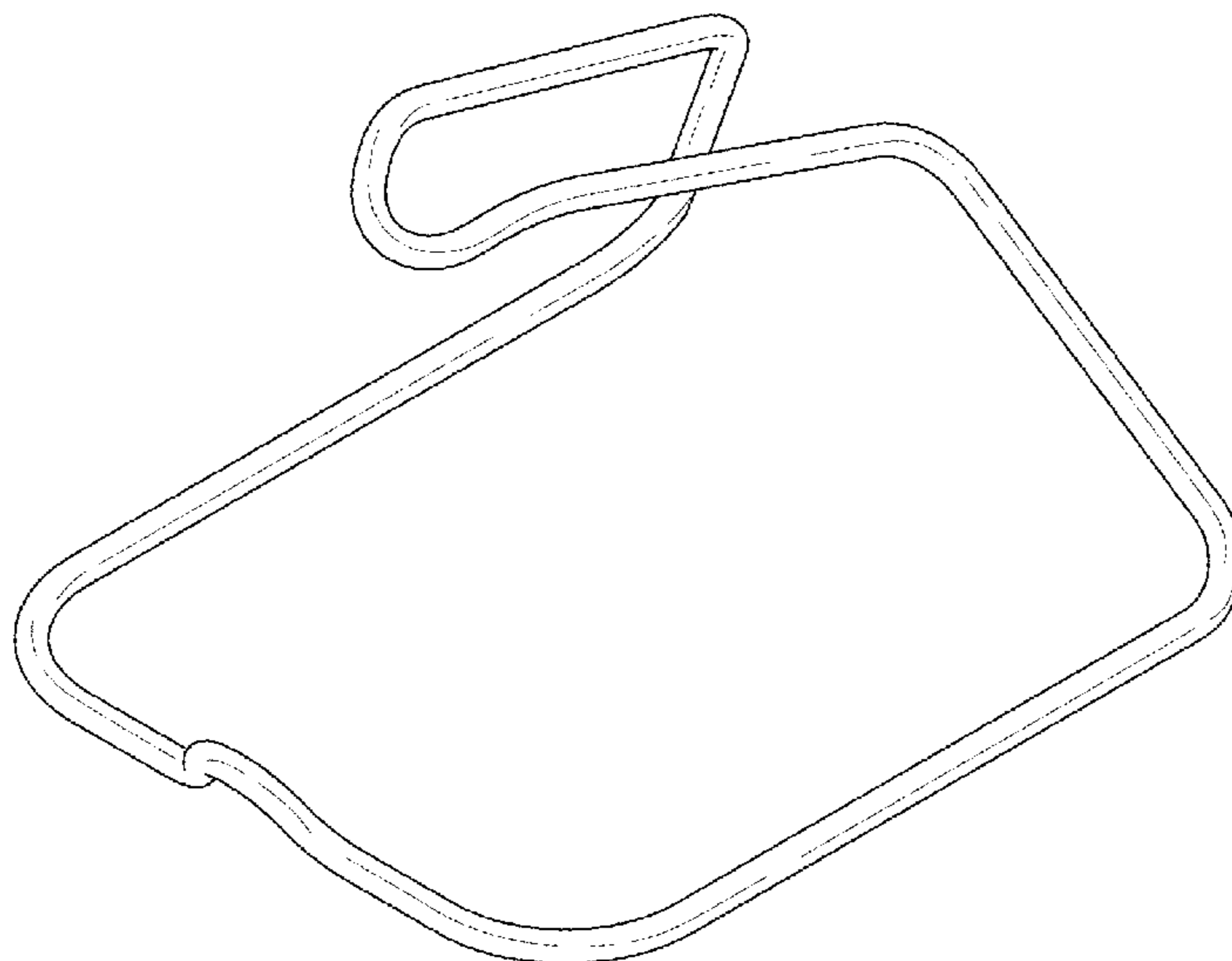
FIG. 4 is a right side view thereof.

FIG. 5 is a left side view thereof.

FIG. 6 is a top view thereof; and,

FIG. 7 is a bottom view thereof.

**1 Claim, 7 Drawing Sheets**



(56)

**References Cited**

U.S. PATENT DOCUMENTS

8,915,526 B1 \* 12/2014 Ott ..... A47J 37/0786  
294/9

9,155,423 B2 \* 10/2015 Malone ..... A47J 43/18

\* cited by examiner

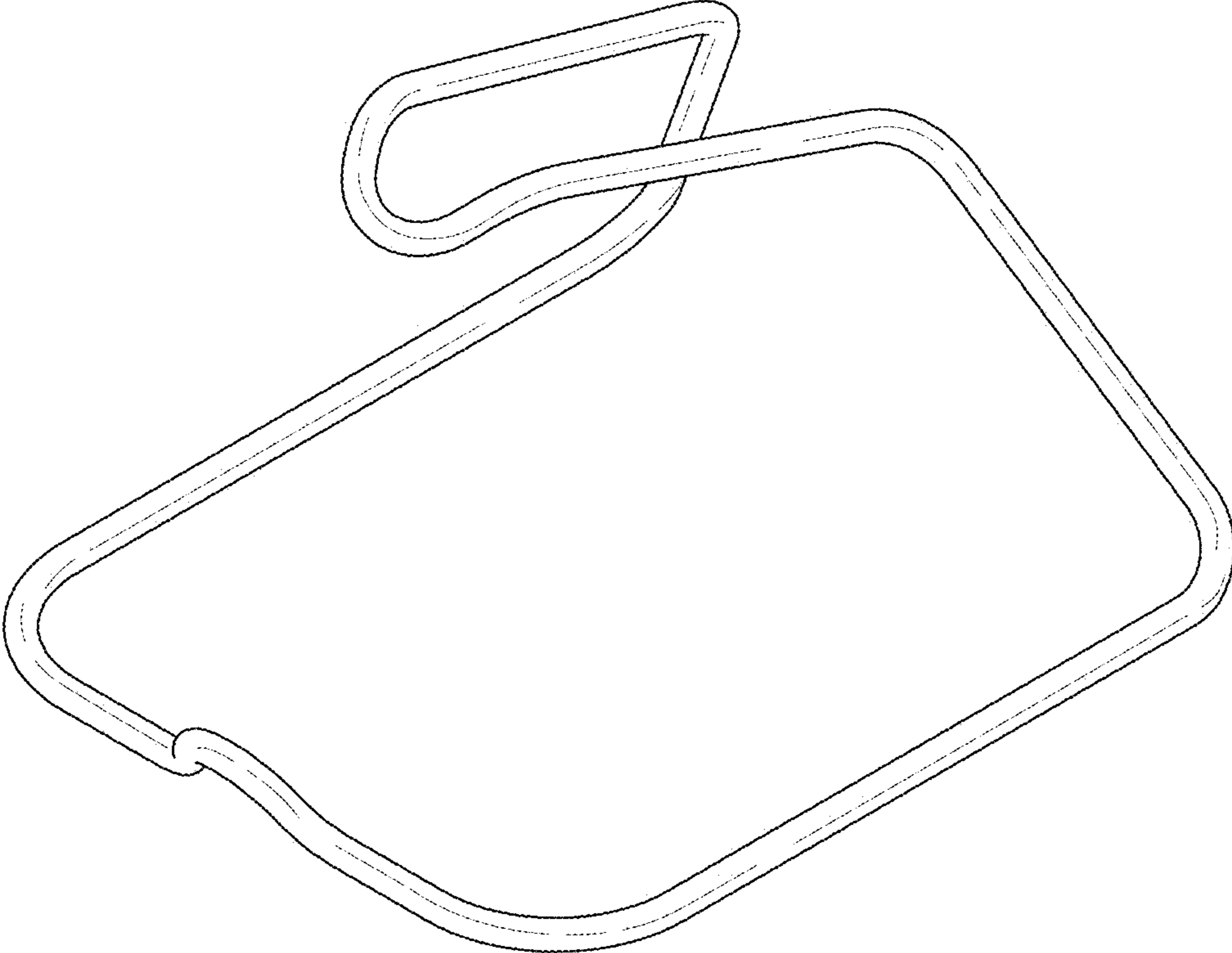


Fig. 1

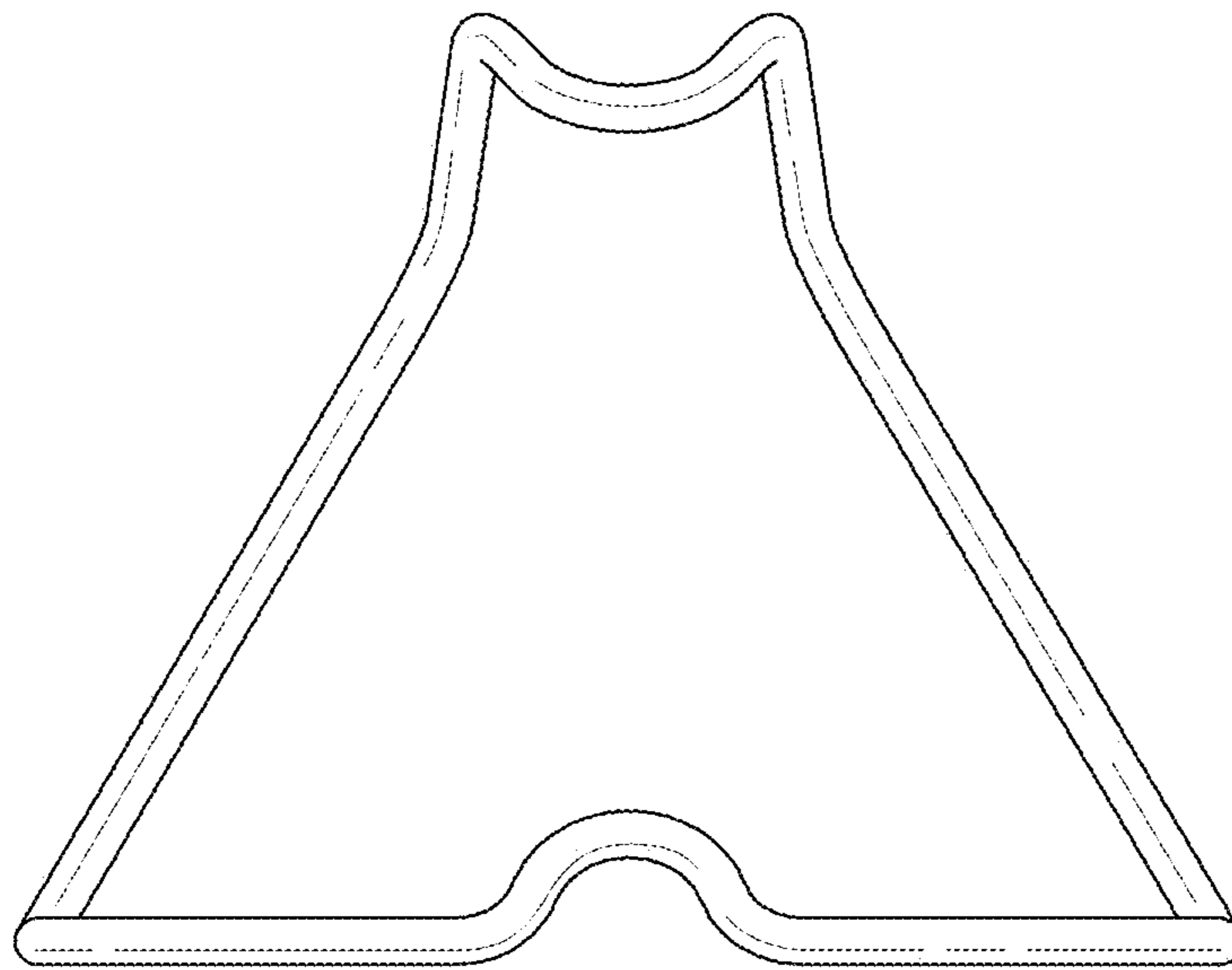


Fig. 2

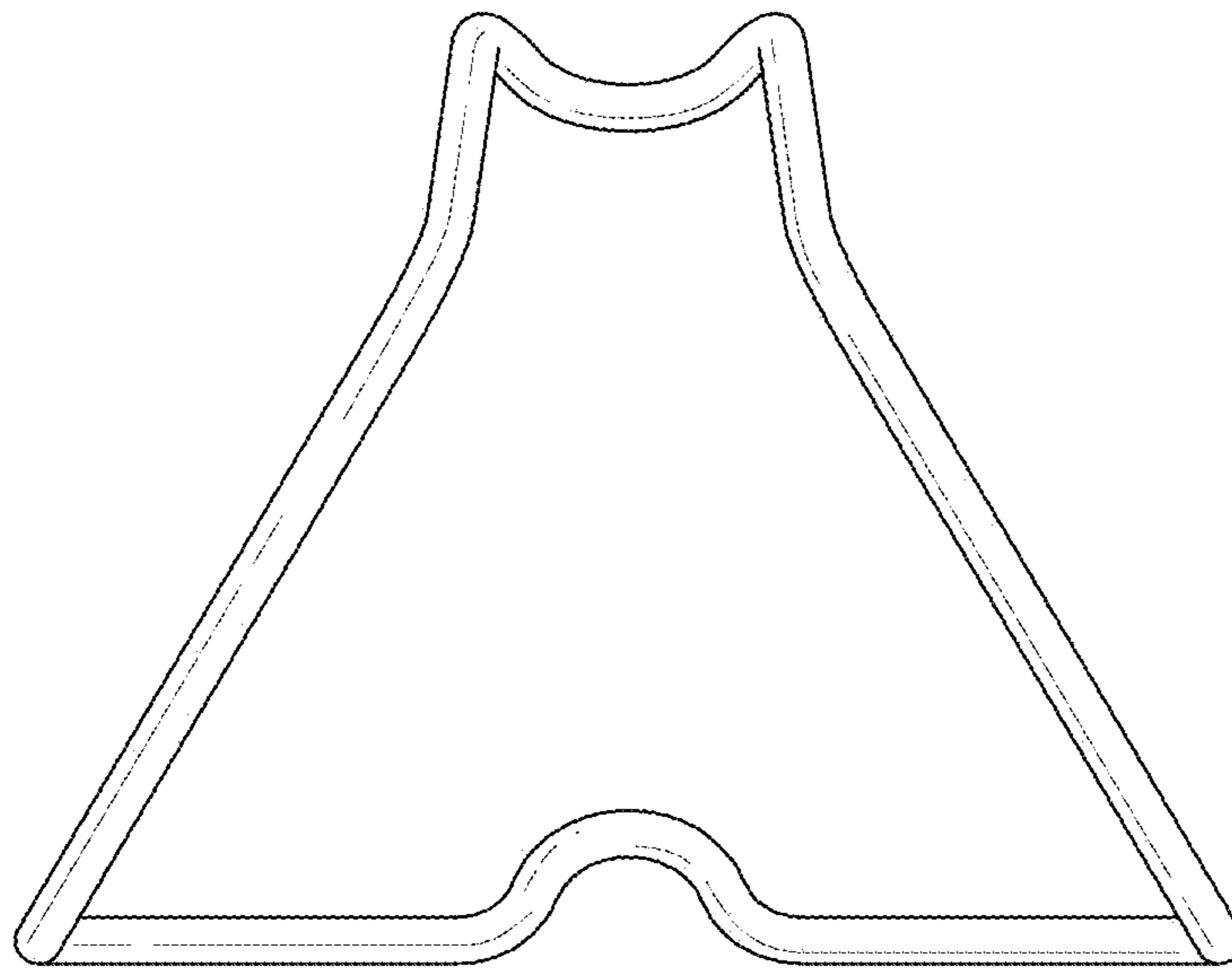


Fig. 3

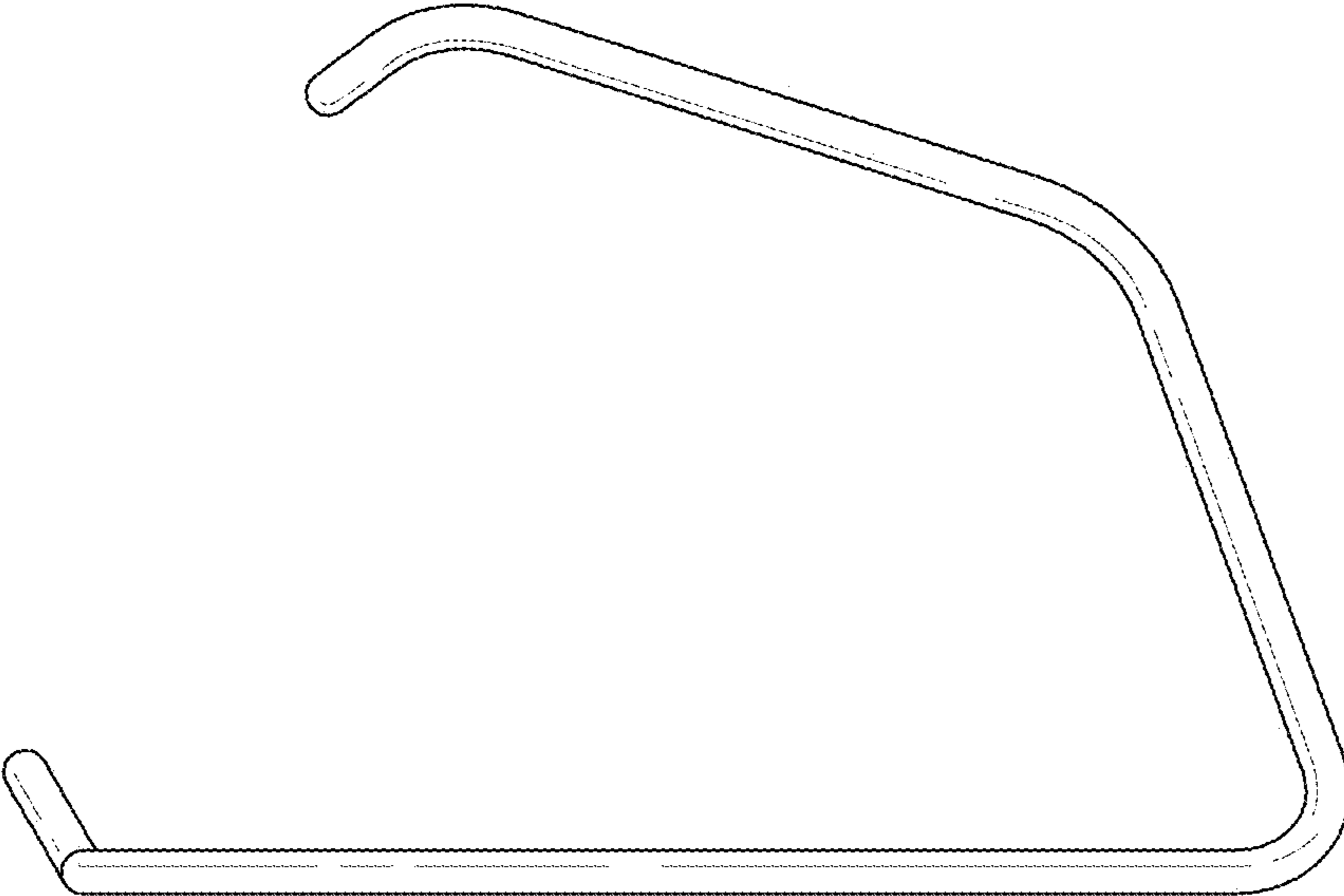


Fig. 4

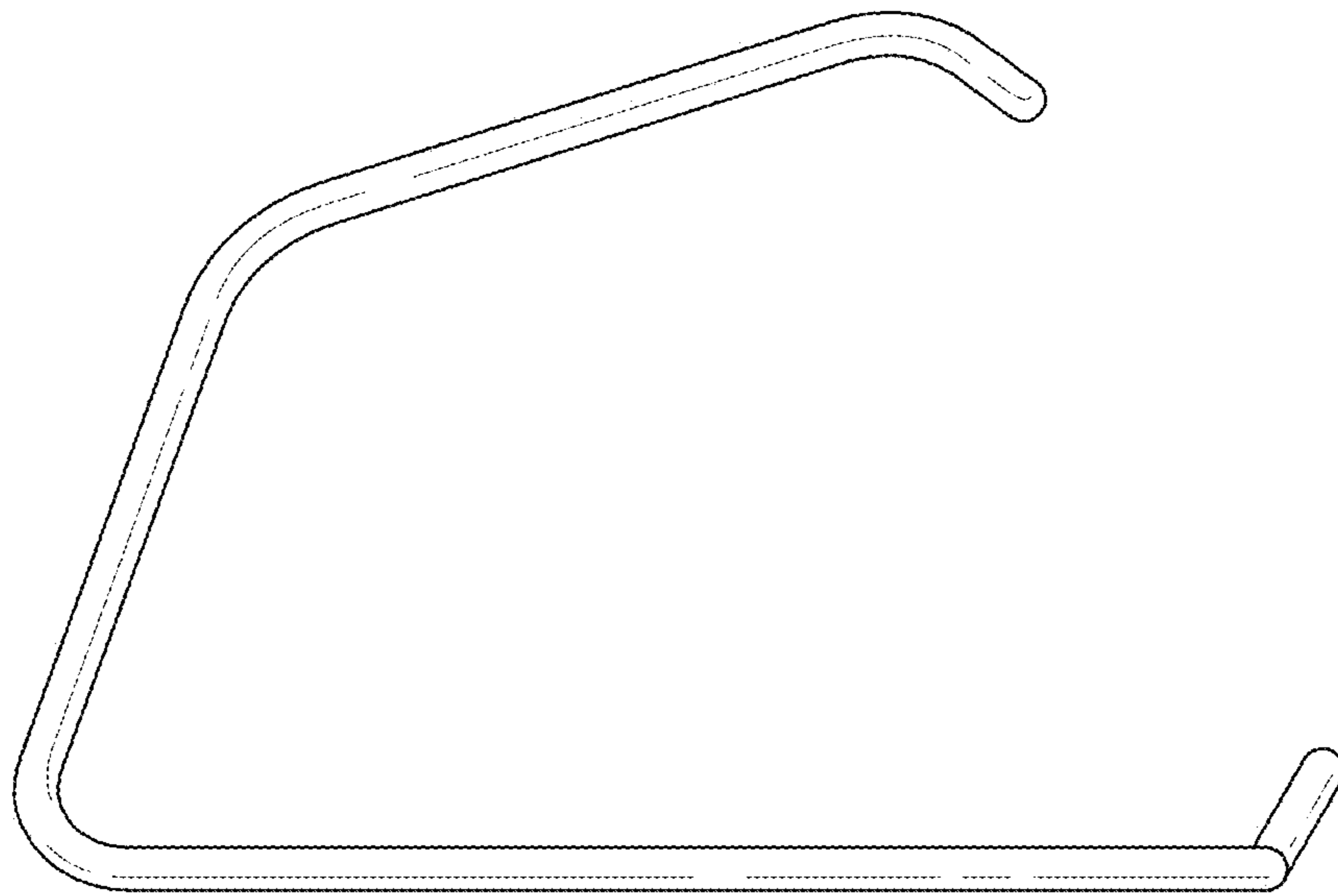


Fig. 5

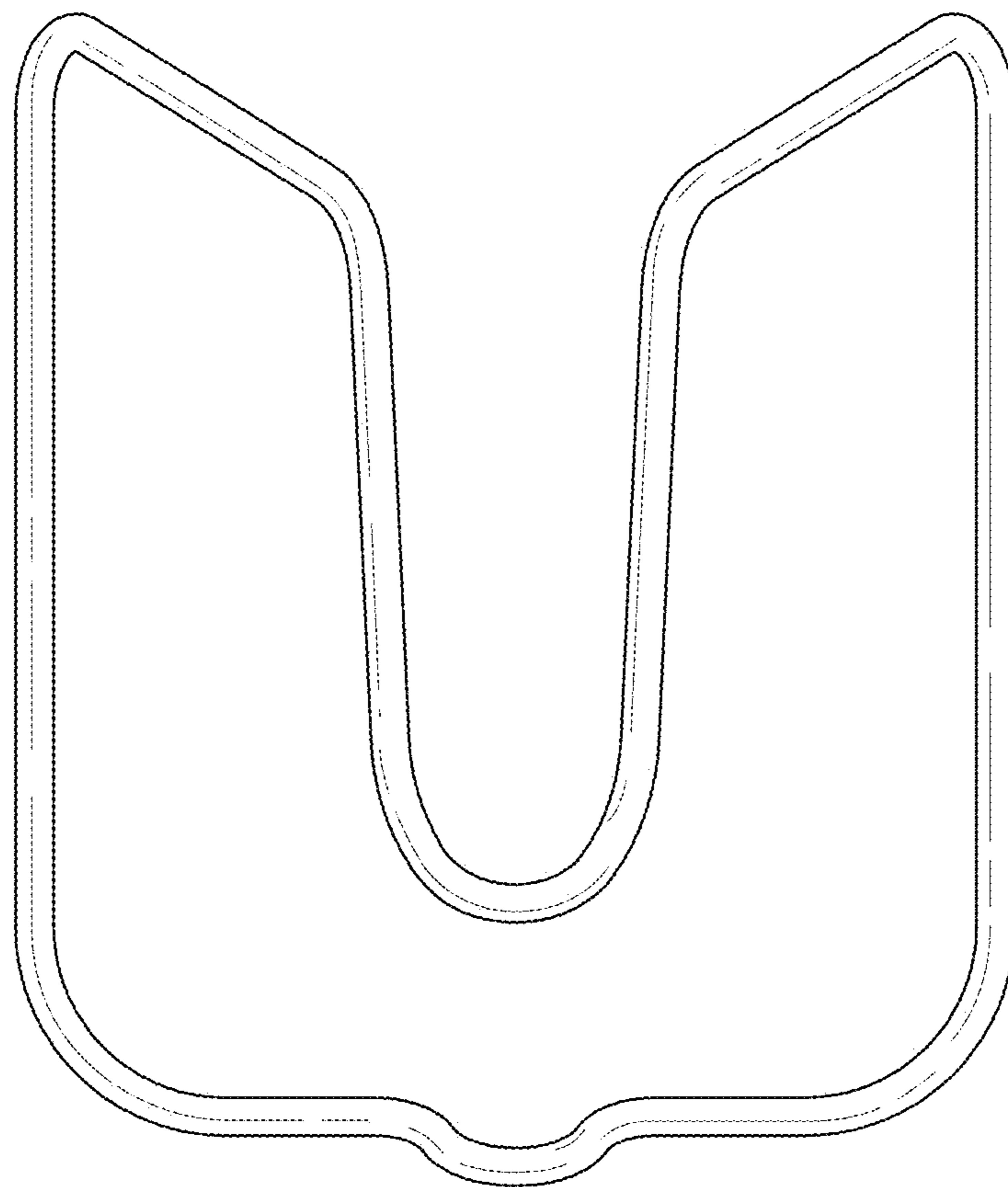


Fig. 6



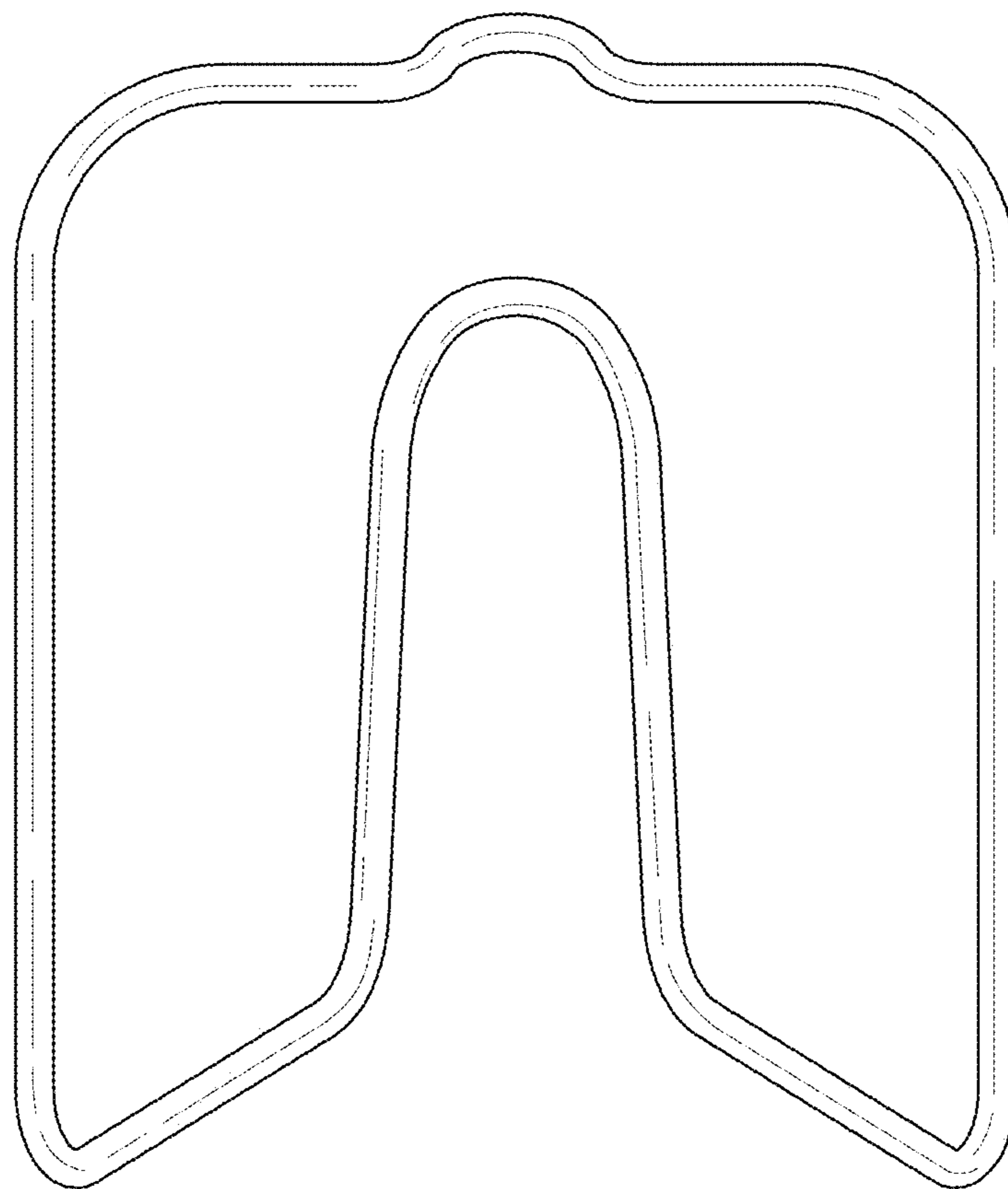


Fig. 7