



US00D899852S

(12) **United States Design Patent** (10) **Patent No.:** **US D899,852 S**
Bennion et al. (45) **Date of Patent:** **** *Oct. 27, 2020**

- (54) **GRILL ACCESSORY BRACKET**
- (71) Applicant: **Weber-Stephen Products LLC**,
Palatine, IL (US)
- (72) Inventors: **Derek Bennion**, Chicago, IL (US);
Romualdo Sonny Siazon, Woodstock,
IL (US); **Karol Polaczek**, Hickory
Hills, IL (US)
- (73) Assignee: **Weber-Stephen Products LLC**,
Palatine, IL (US)
- (*) Notice: This patent is subject to a terminal dis-
claimer.
- (**) Term: **15 Years**
- (21) Appl. No.: **29/653,705**
- (22) Filed: **Jun. 18, 2018**
- (51) **LOC (12) Cl.** **07-02**
- (52) **U.S. Cl.**
USPC **D7/406**
- (58) **Field of Classification Search**
USPC D7/332–337, 402–409; D34/21, 12, 17,
D34/27; D24/227, 229, 230; D6/553,
D6/574, 513, 406.2; D12/400
CPC A47J 37/07–0763; A47J 37/0781; A47J
37/0786; A47J 37/079; A47J 2037/0777;
A47J 2037/0795; F24C 1/16; F24C 3/14;
F24B 1/205
See application file for complete search history.

(56) **References Cited**
U.S. PATENT DOCUMENTS

D233,948 S *	12/1974	Seltzer	D6/406.2
D256,201 S *	8/1980	Ventura	D6/406.2
D292,150 S *	10/1987	Restin	D6/574
D325,838 S *	5/1992	Lamprey	D6/574
D417,588 S *	12/1999	Wagner	D7/406

D435,396 S *	12/2000	Wagner	D7/402
D436,004 S *	1/2001	Wagner	D7/402
D443,179 S *	6/2001	Wagner	D7/406
D448,975 S *	10/2001	Wagner	D7/402
D454,753 S *	3/2002	Pai	D7/402
D472,422 S *	4/2003	Pai	D7/334
D480,914 S *	10/2003	Wagner	D7/406
D491,006 S *	6/2004	Yeager	D6/574
D617,726 S *	6/2010	Portillo	D12/400
D621,216 S *	8/2010	Bruno	D7/406
D707,084 S *	6/2014	Miller	D7/406
D714,073 S *	9/2014	Pittman	D6/406.2
D859,879 S *	9/2019	Karata	D6/525
2004/0025863 A1 *	2/2004	Wagner	A47J 37/0786 126/41 R

(Continued)

Primary Examiner — Brett Miller

(74) *Attorney, Agent, or Firm* — Vitale, Vickrey, Niro & Gasey LLP

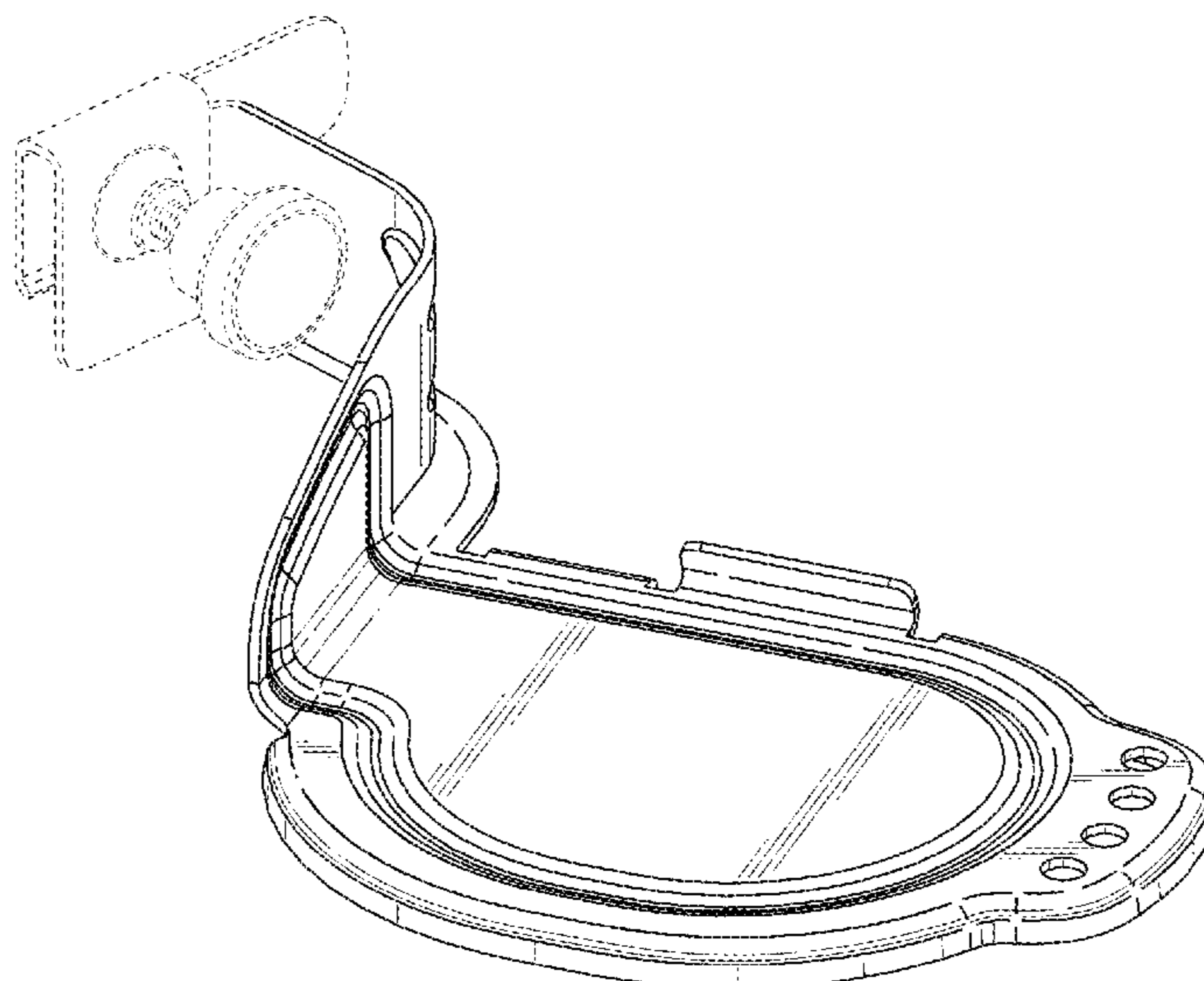
(57) **CLAIM**

The ornamental design for a grill accessory bracket, as shown and described.

DESCRIPTION

FIG. 1 is a perspective view of a grill accessory bracket of the present invention;
 FIG. 2 is a top plan view of the grill accessory bracket of the present invention;
 FIG. 3 is a front view of the grill accessory bracket of the present invention;
 FIG. 4 is a right side view of the grill accessory bracket of the present invention;
 FIG. 5 is a rear view of the grill accessory bracket of the present invention;
 FIG. 6 is a left side view of the grill accessory bracket of the present invention; and,
 FIG. 7 is a bottom plan view of the grill accessory bracket of the present invention.
 The broken lines in the Figures depict portions of the grill accessory bracket that form no part of the claimed design.

1 Claim, 4 Drawing Sheets



(56)

References Cited

U.S. PATENT DOCUMENTS

2004/0154608 A1* 8/2004 Ward A47J 37/0786
126/41 R
2018/0177335 A1* 6/2018 Polaczek A47J 37/0786

* cited by examiner

Fig. 1

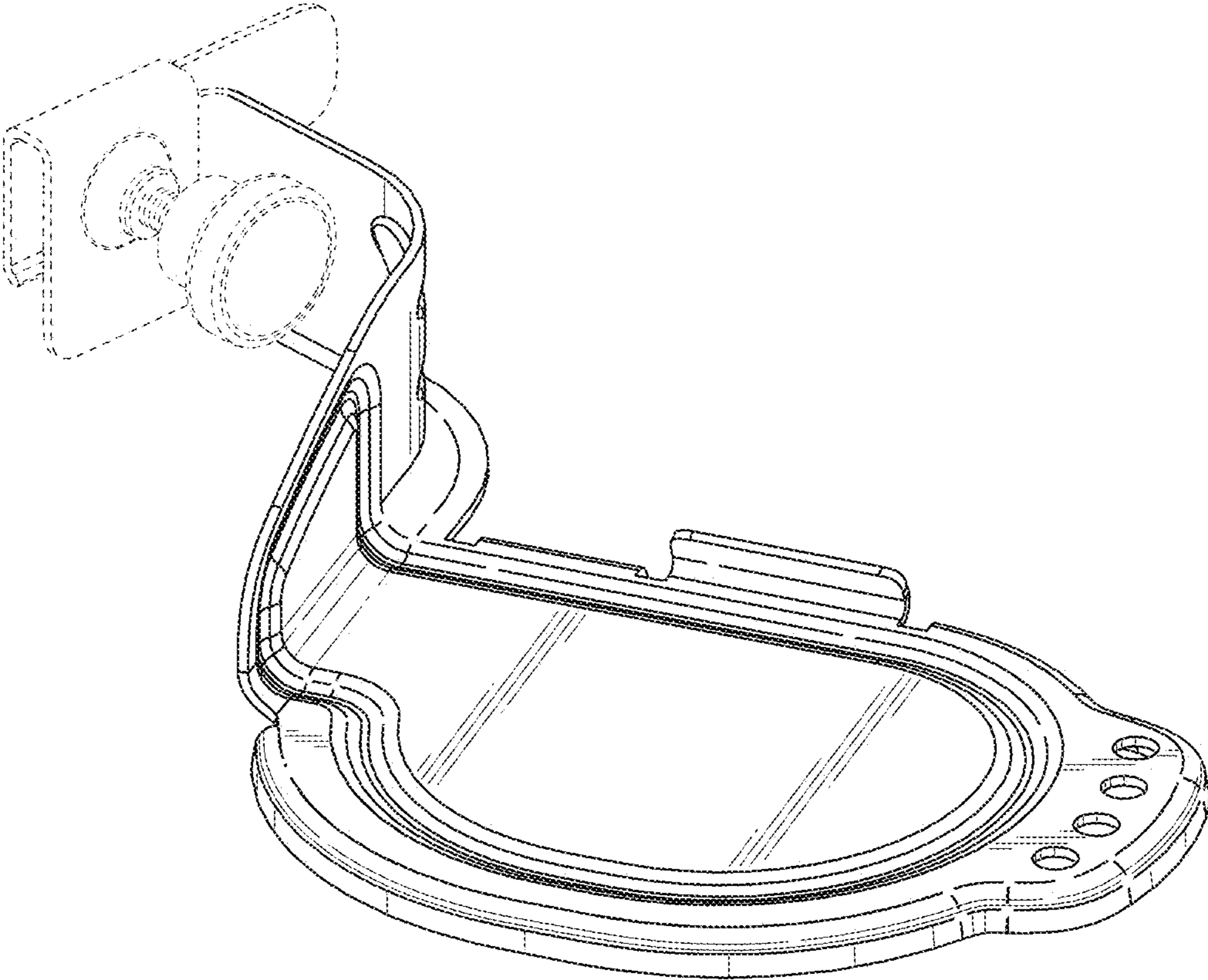


Fig. 2

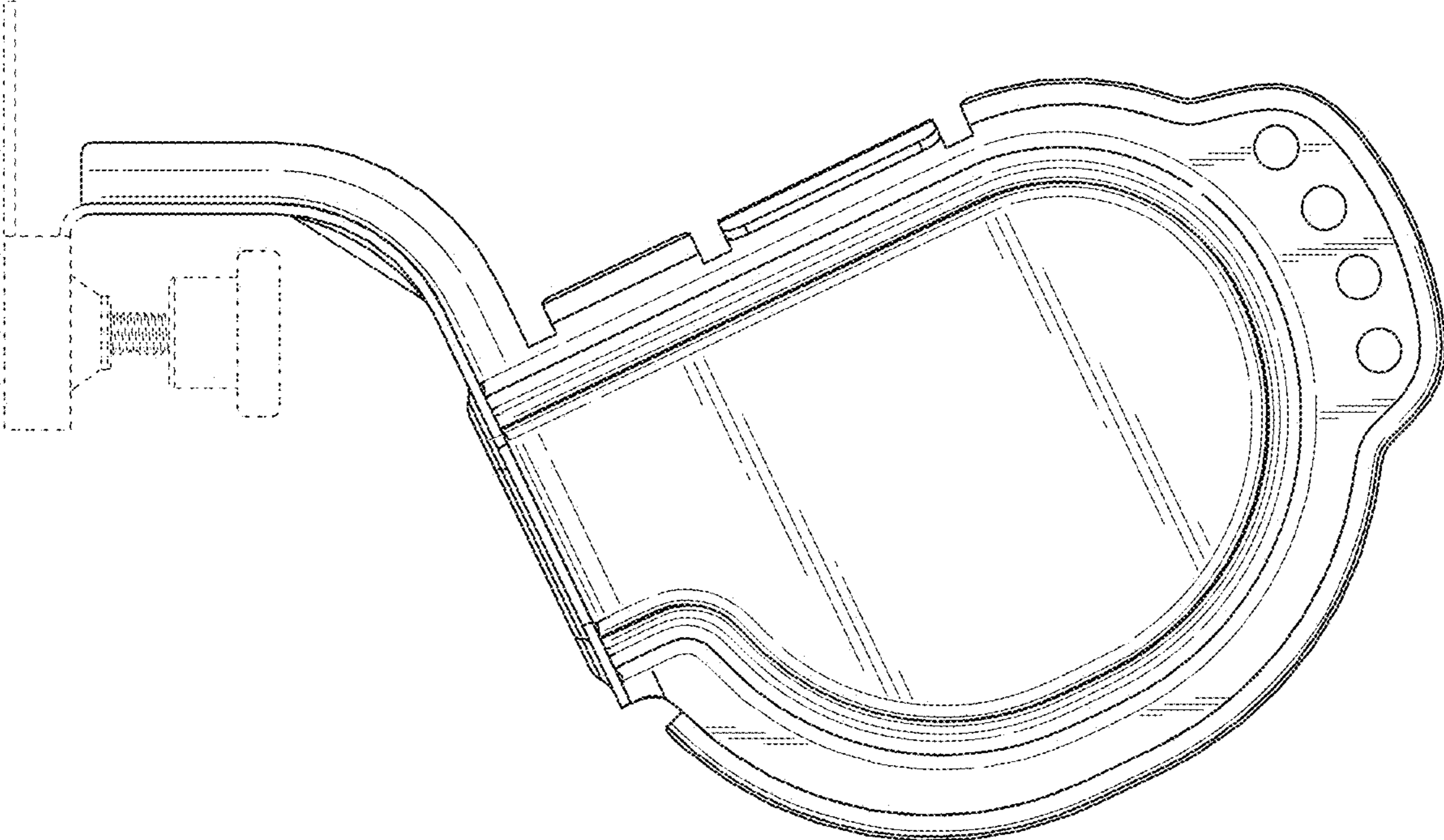


Fig. 3

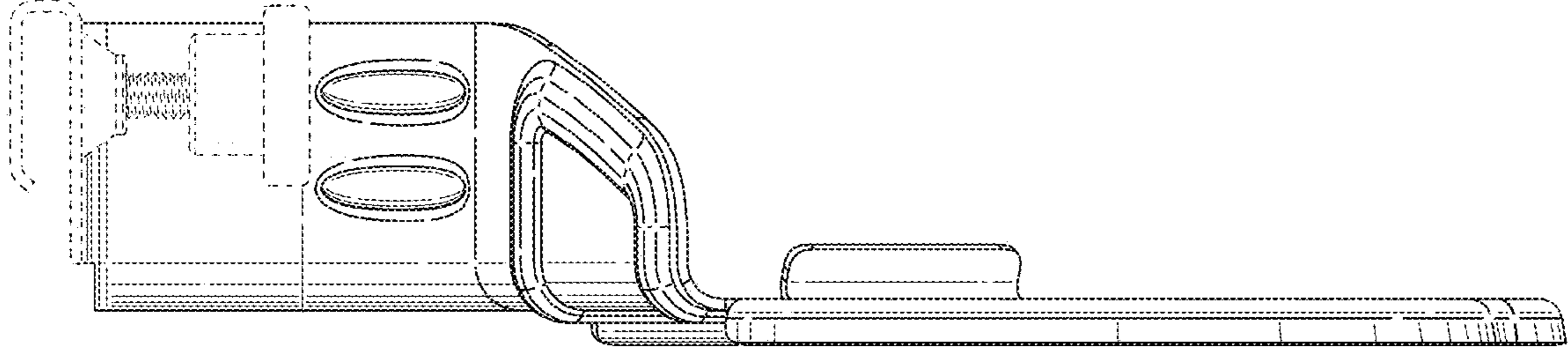


Fig. 4

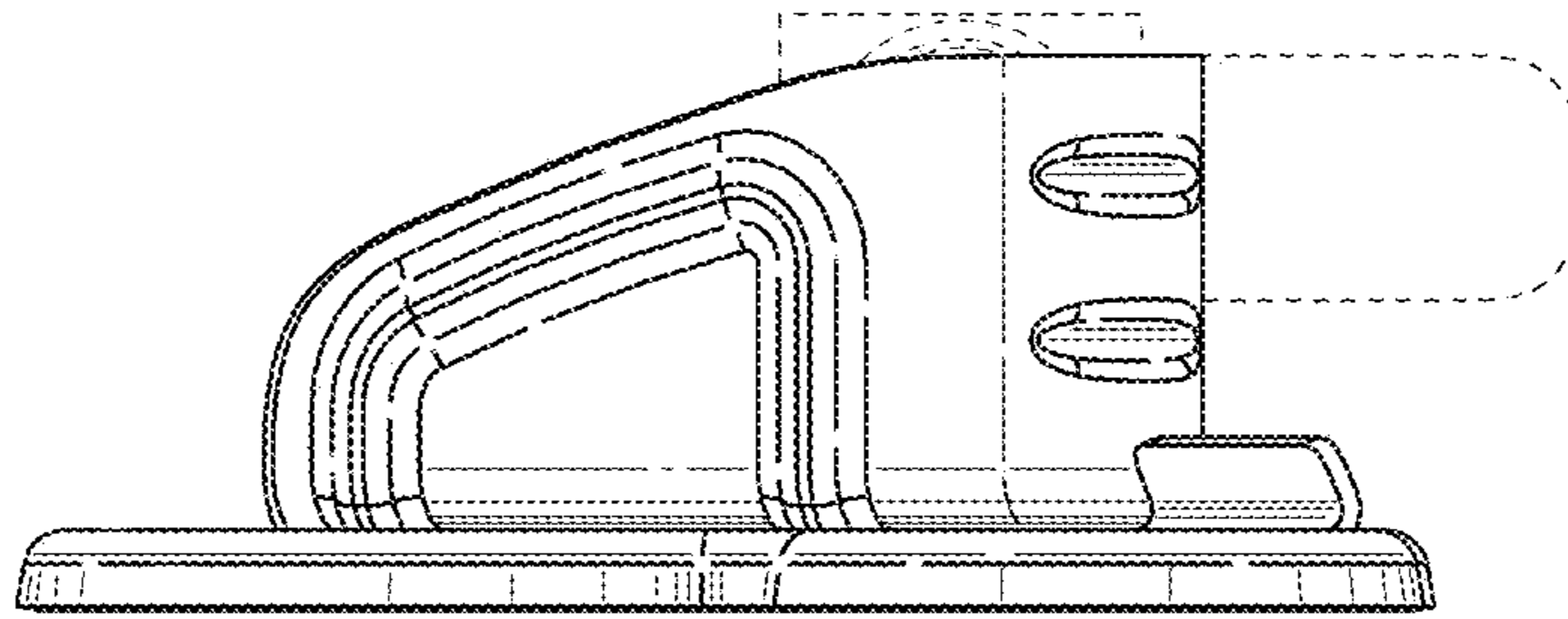


Fig. 5

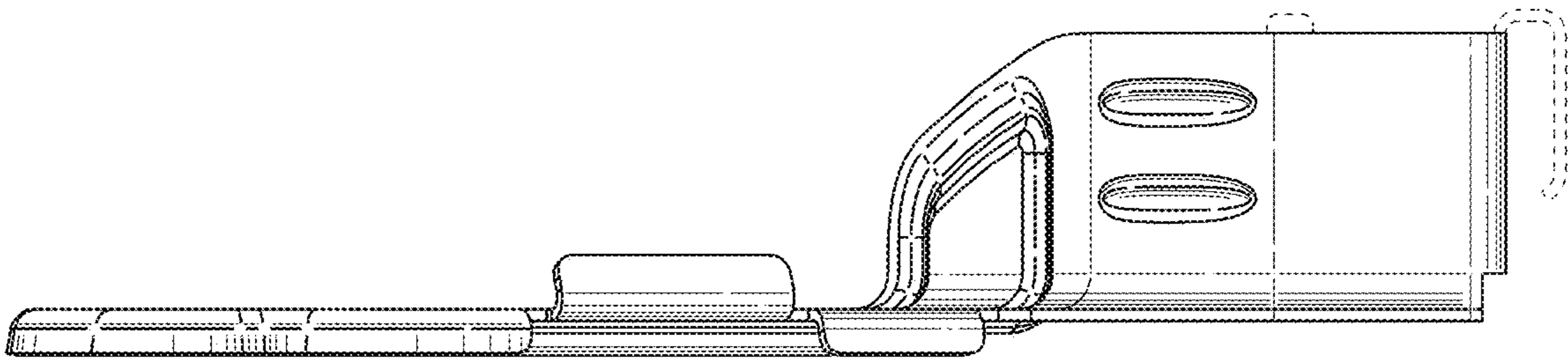


Fig. 6

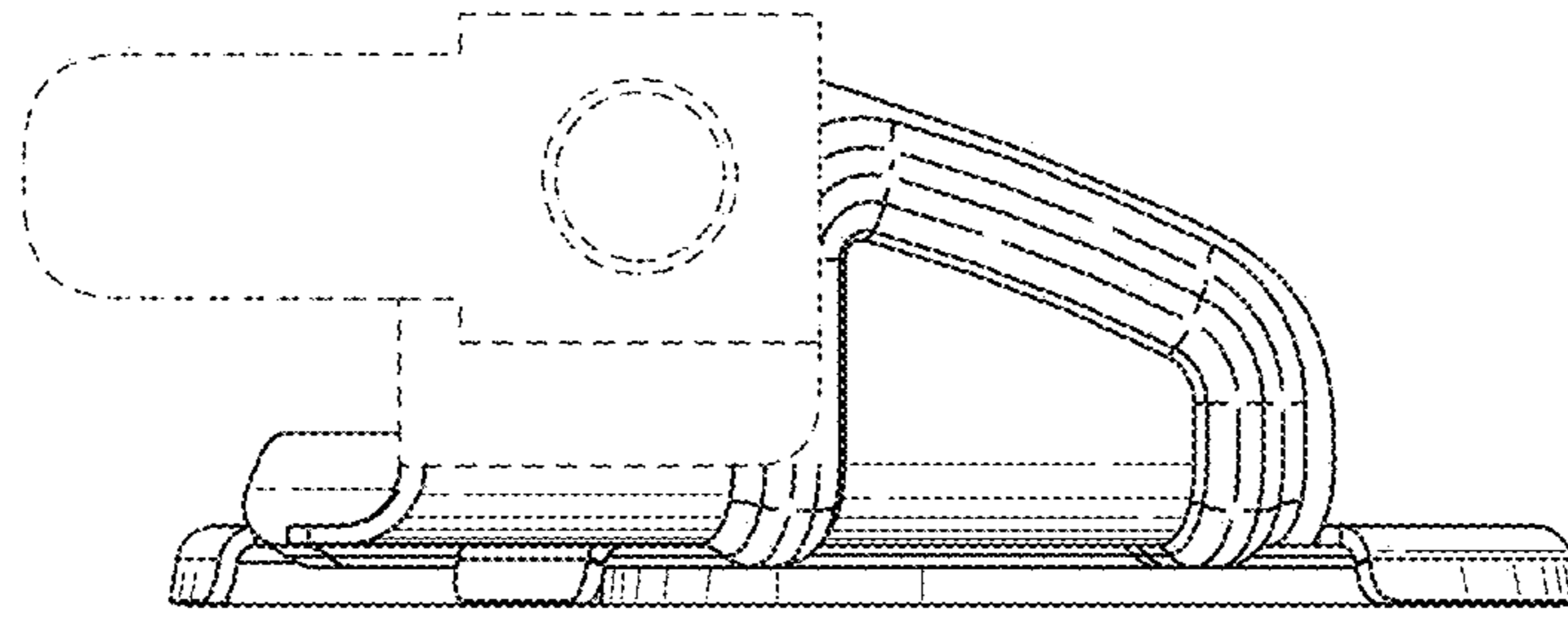


Fig. 7

