

US00D899851S

(12) **United States Design Patent** (10) **Patent No.:** **US D899,851 S**  
**Rittenburg et al.** (45) **Date of Patent:** **\*\* Oct. 27, 2020**

(54) **EFFERVESCENT LIQUID DISPENSER ASSEMBLY**

(71) Applicant: **MIDNIGHT MADNESS DISTILLING, LLC**, Trumbauersville, PA (US)

(72) Inventors: **Angus Rittenburg**, Perkasio, PA (US); **Casey Parzych**, Trumbauersville, PA (US)

(73) Assignee: **MIDNIGHT MADDNESS DISTILLING, LLC**, Trumbauersville, PA (US)

(\*\*) Term: **15 Years**

(21) Appl. No.: **29/657,317**

(22) Filed: **Jul. 20, 2018**

(51) **LOC (12) Cl.** ..... **07-99**

(52) **U.S. Cl.**

USPC ..... **D7/398**; D7/300.1; D9/447

(58) **Field of Classification Search**

USPC ..... D9/414, 434-436, 438-440, 443-457, D9/499, 503-505, 682, 685, 686; D7/387, 391, 392, 392.1, 396.2-396.4, D7/401.1, 507, 509-511, 538, 900, 300, D7/300.1, 312, 313; D3/202, 203.2, 318; D28/91.1; D6/524, 542, 543  
CPC .. A61J 1/00; A61J 1/1412; B65D 1/00; B65D 1/02; B65D 1/10; B65D 1/46; B65D 5/46; B65D 41/00; B65D 41/38; B65D 41/56; B65D 41/62; B65D 47/00; B65D 47/06; B65D 47/08; B65D 2251/00; B65D 2543/00046; B65D 2543/00092; B65D 2543/00296; B65D 2585/56; B65D 2585/545

See application file for complete search history.

(56) **References Cited**

**U.S. PATENT DOCUMENTS**

43,798 A \* 8/1864 Schultz et al. .... A47J 41/0077 215/13.1  
312,562 A \* 2/1885 Grosjean ..... A47J 41/02 215/12.1

D24,111 S \* 3/1895 Landgraf ..... D7/300.1  
860,316 A \* 7/1907 Nash ..... A47J 41/02 215/12.1  
1,018,124 A \* 2/1912 Malmstrom ..... A47J 41/02 215/12.1  
D71,861 S \* 1/1927 Bruelle ..... D28/91.1

(Continued)

*Primary Examiner* — Wendy L Arminio

(74) *Attorney, Agent, or Firm* — McNeas Wallace & Nurick LLC

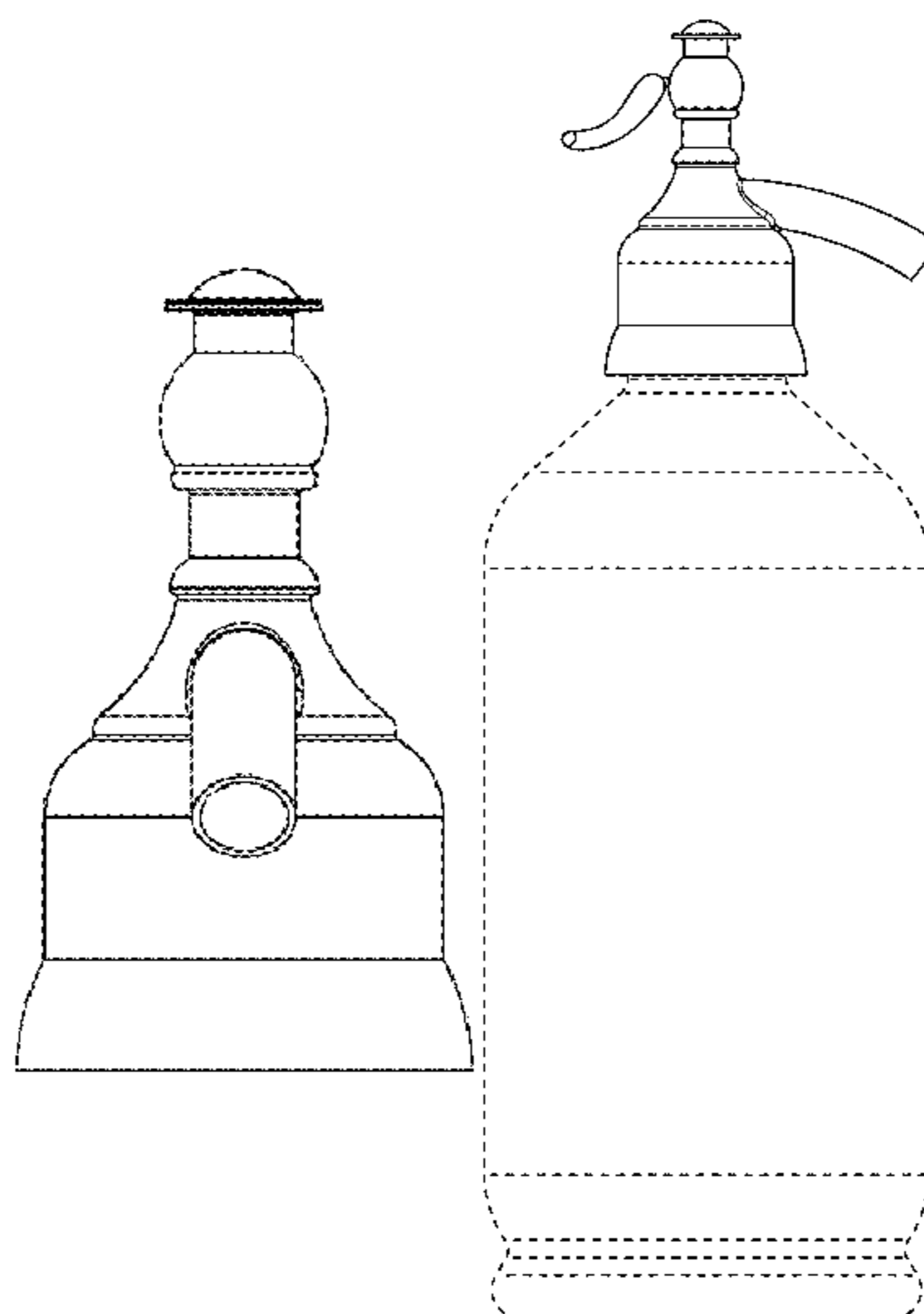
(57) **CLAIM**

The ornamental design for an effervescent liquid dispenser assembly, as shown and described.

**DESCRIPTION**

FIG. 1 is a front view of an effervescent liquid dispenser assembly, showing the upper cap portion removed from the lower bottle portion;  
FIG. 2 is a rear view thereof;  
FIG. 3 is a left side view thereof; and  
FIG. 4 is a right side view thereof;  
FIG. 5 is a top view thereof;  
FIG. 6 is a bottom view thereof;  
FIG. 7 is a front view of an effervescent liquid dispenser assembly, showing the upper cap portion attached to the lower bottle portion;  
FIG. 8 is a rear view thereof;  
FIG. 9 is a left side view thereof;  
FIG. 10 is a right side view thereof;  
FIG. 11 is a top view thereof; and  
FIG. 12 is a bottom view thereof.  
The broken lines in the drawings depict portions of the effervescent liquid dispenser assembly that form no part of the claim.

**1 Claim, 12 Drawing Sheets**



(56)

**References Cited**

## U.S. PATENT DOCUMENTS

D75,692 S \* 7/1928 Minton, Jr. .... D28/91.1  
D88,272 S \* 11/1932 Towne ..... D7/300.1  
D91,845 S \* 3/1934 Schneier ..... D7/300.1  
2,019,404 A \* 10/1935 Eugster ..... B67D 1/0456  
215/5  
2,079,773 A \* 5/1937 Scott ..... B67D 1/0456  
215/5  
D109,241 S \* 4/1938 Fuerst ..... D7/300.1  
D109,242 S \* 4/1938 Fuerst ..... D7/300.1  
2,117,271 A \* 5/1938 Bowman ..... B67D 1/0456  
141/15  
2,173,929 A \* 9/1939 Bowman ..... B67C 3/065  
141/15  
D119,739 S \* 4/1940 D'Addario ..... D7/300.1  
2,669,439 A \* 2/1954 Deshayes ..... B67C 3/065  
261/121.1  
D300,896 S \* 5/1989 Hagan ..... D7/300.1  
D302,525 S \* 8/1989 Hagan ..... D7/300.1  
D559,601 S \* 1/2008 Williams ..... D6/542  
D660,631 S \* 5/2012 Romero ..... D6/542  
D702,455 S \* 4/2014 Garland ..... D6/542  
2019/0225478 A1 \* 7/2019 Rittenburg ..... B67D 1/0406

\* cited by examiner

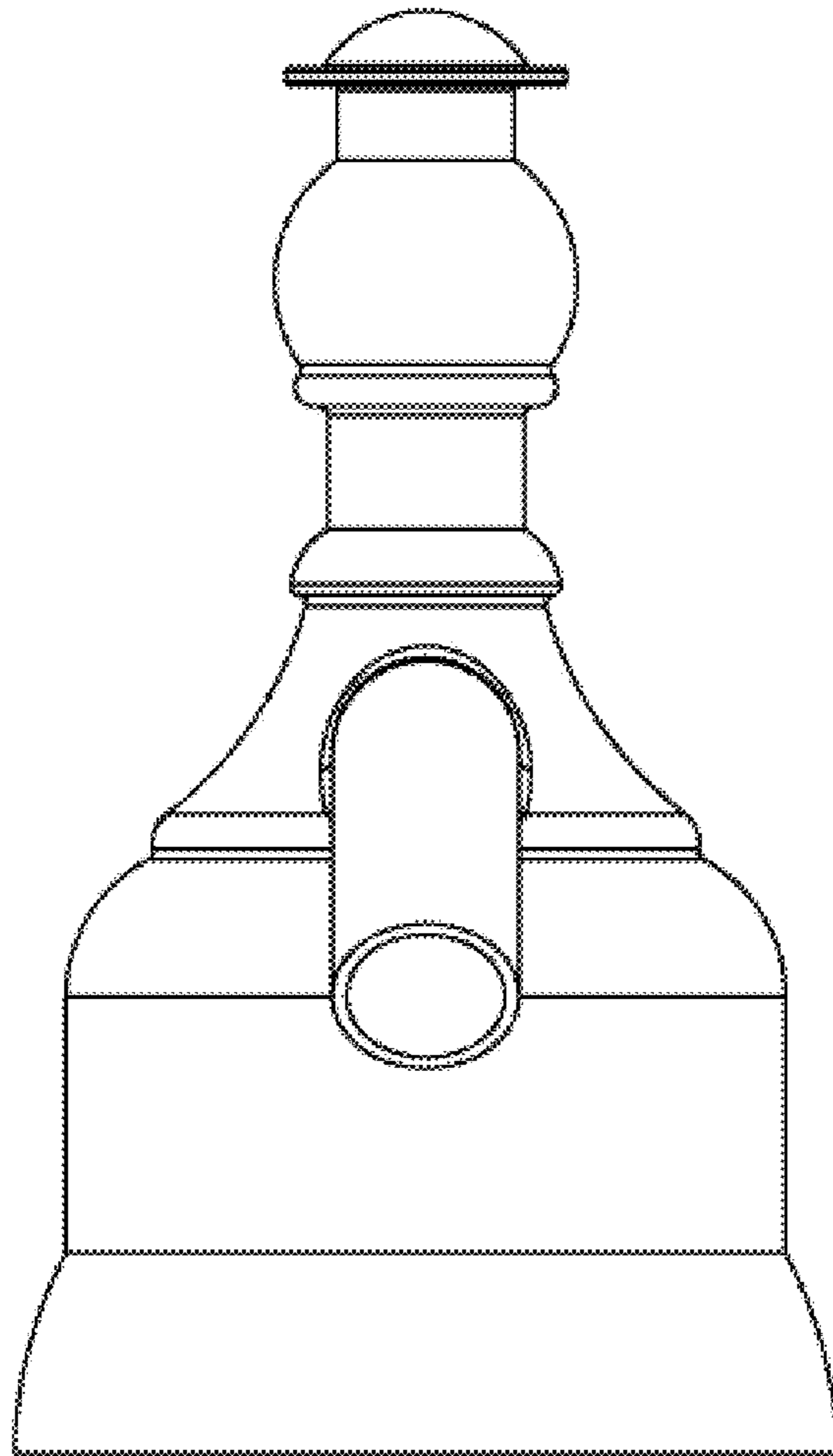


FIG. 1

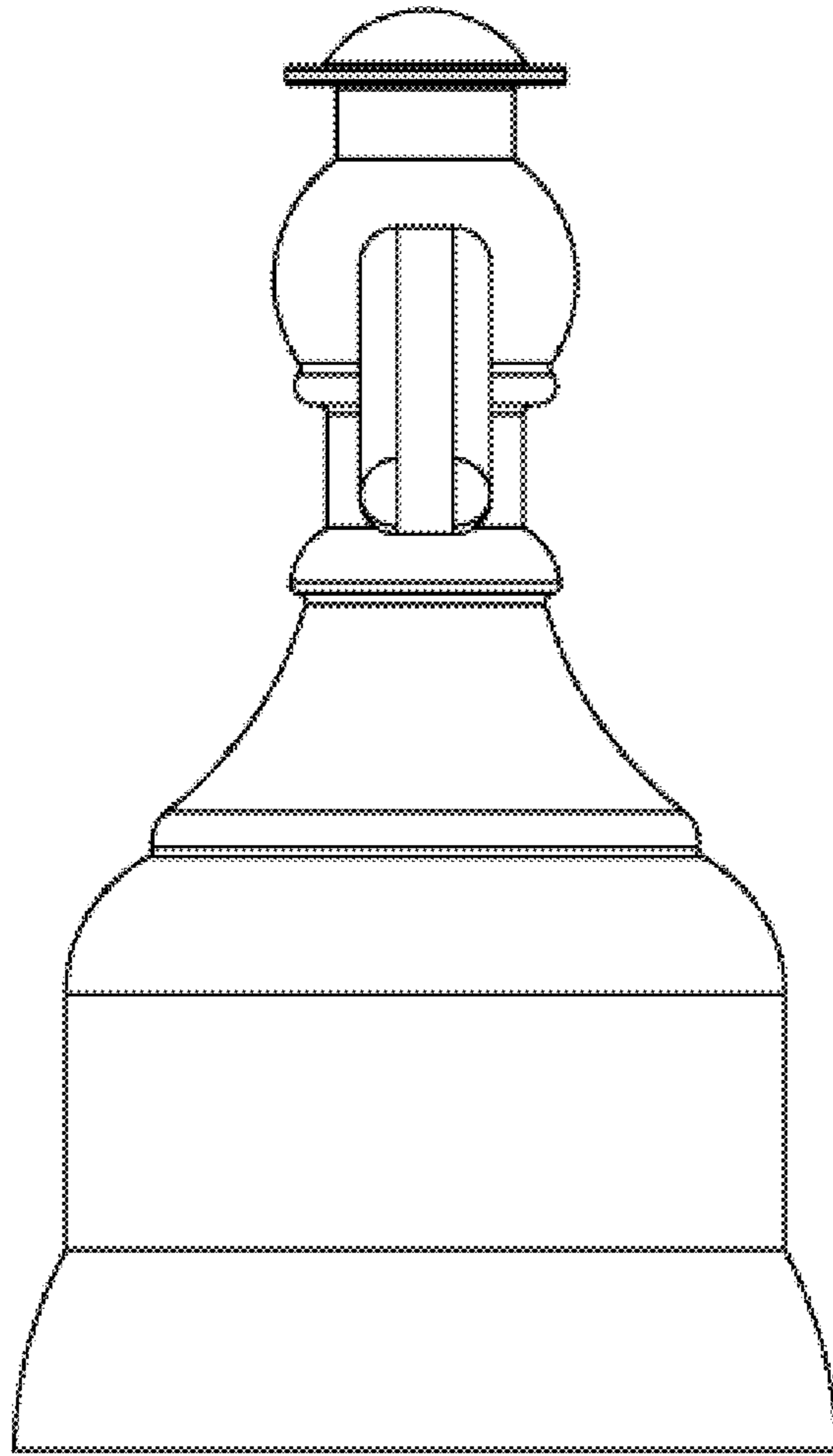


FIG. 2

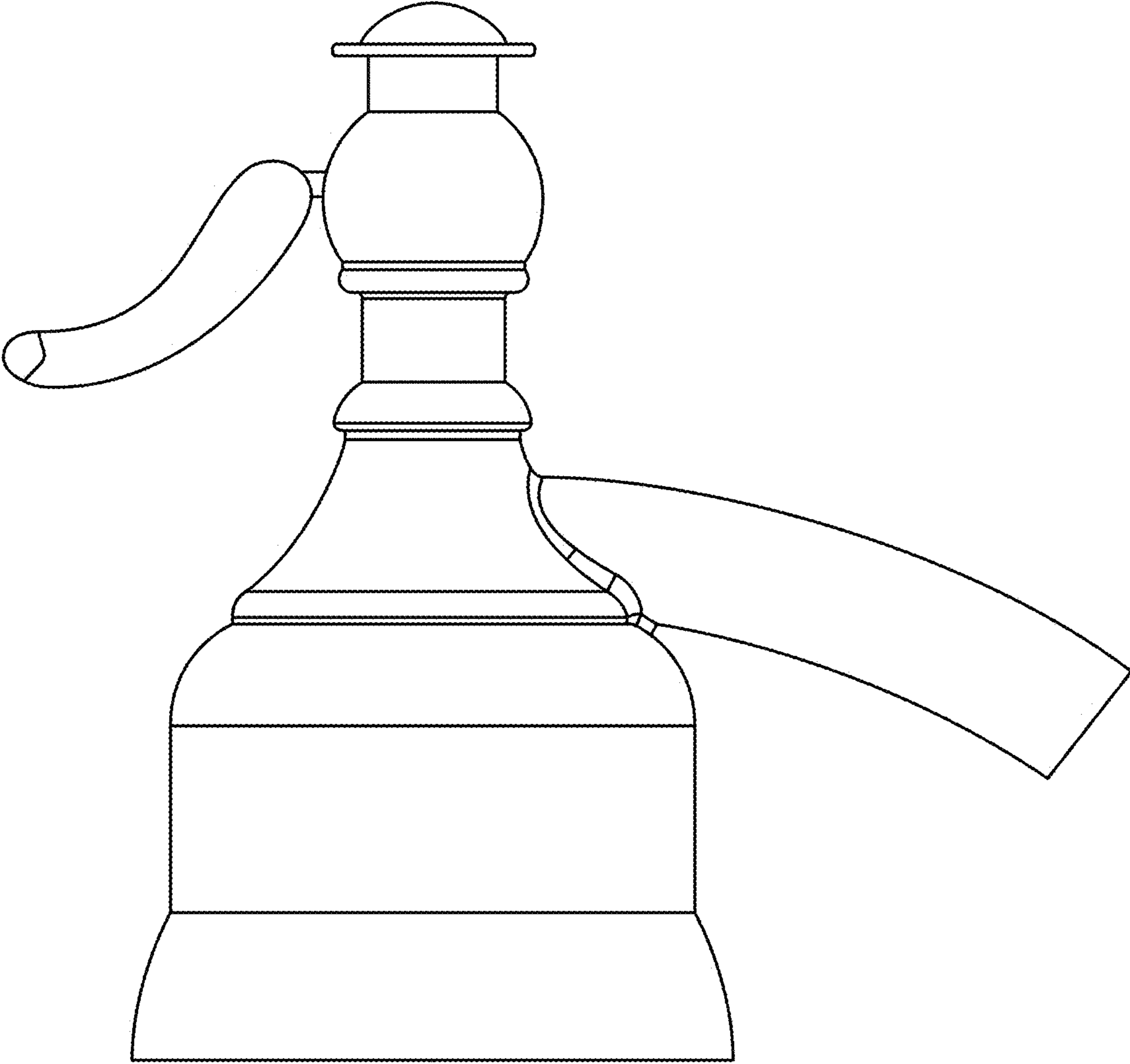


FIG. 3

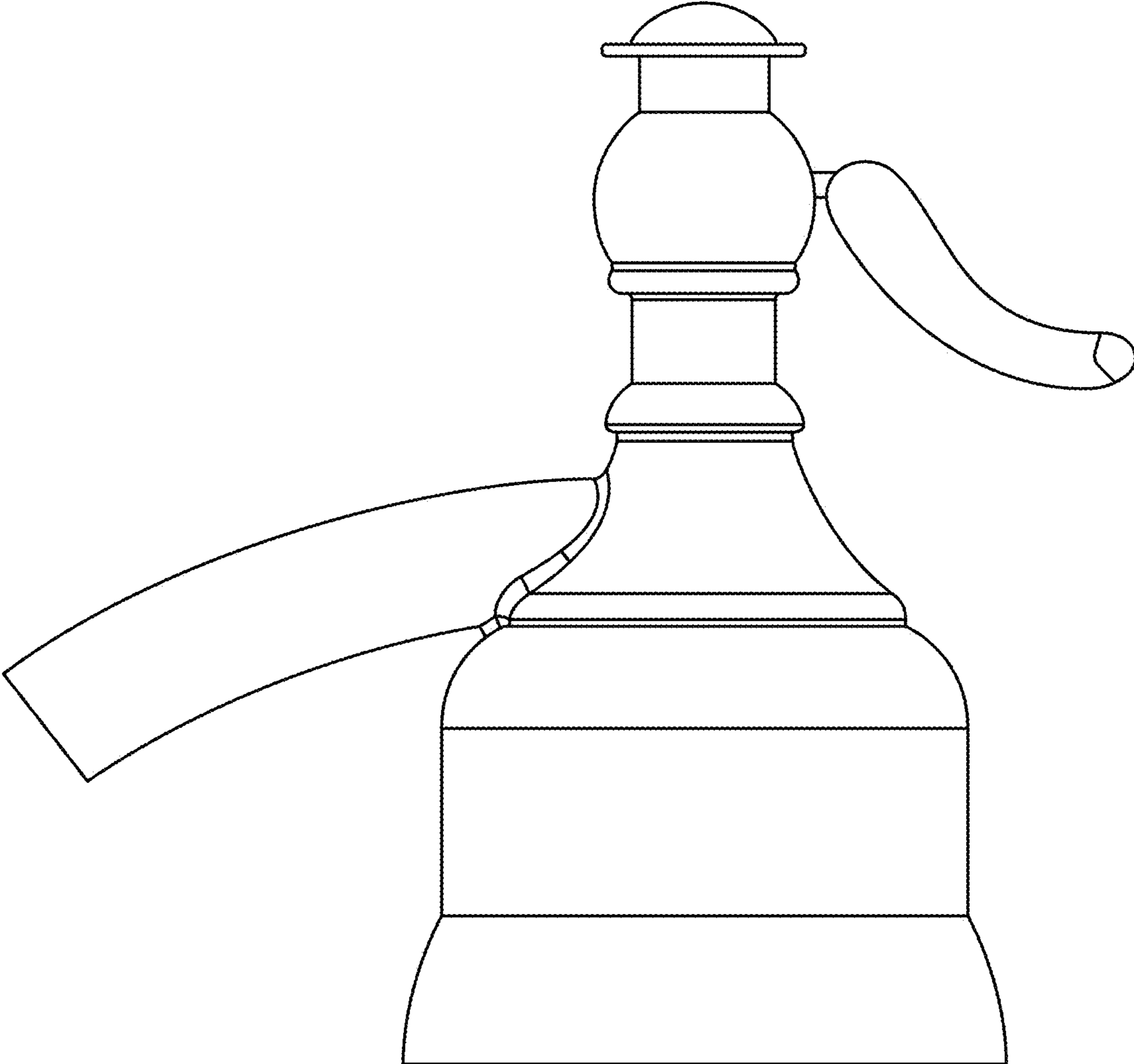


FIG. 4

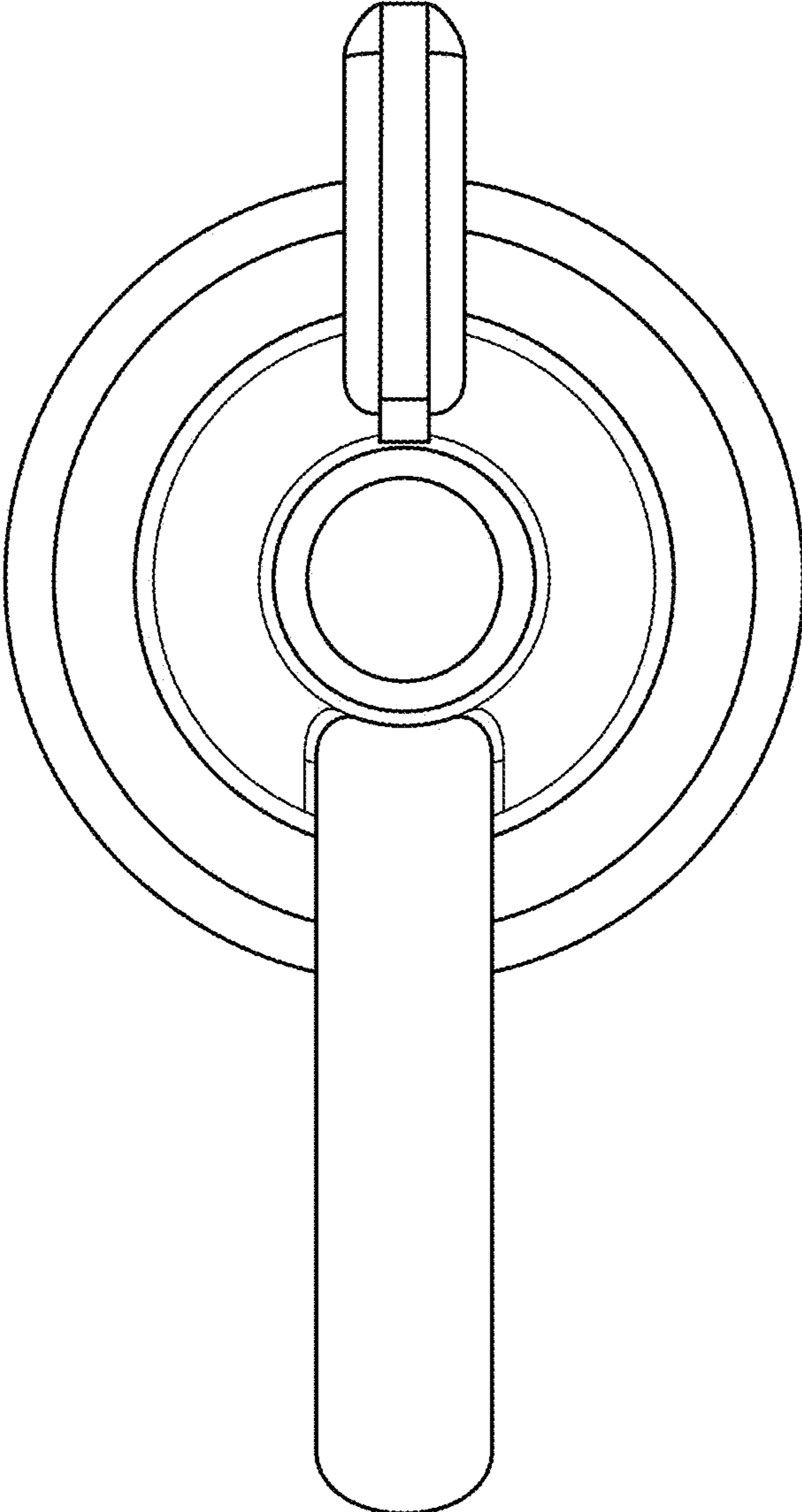


FIG. 5

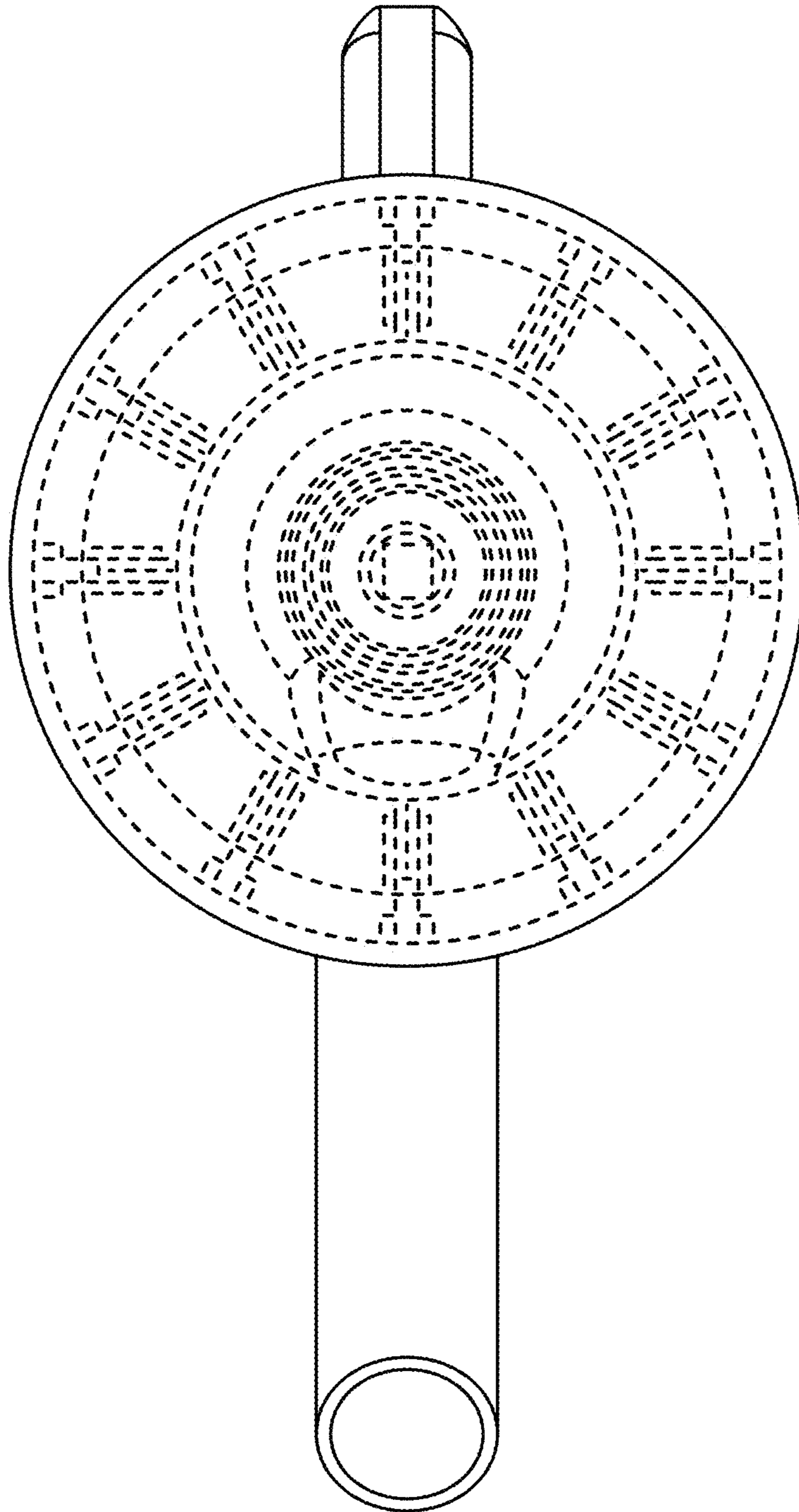


FIG. 6



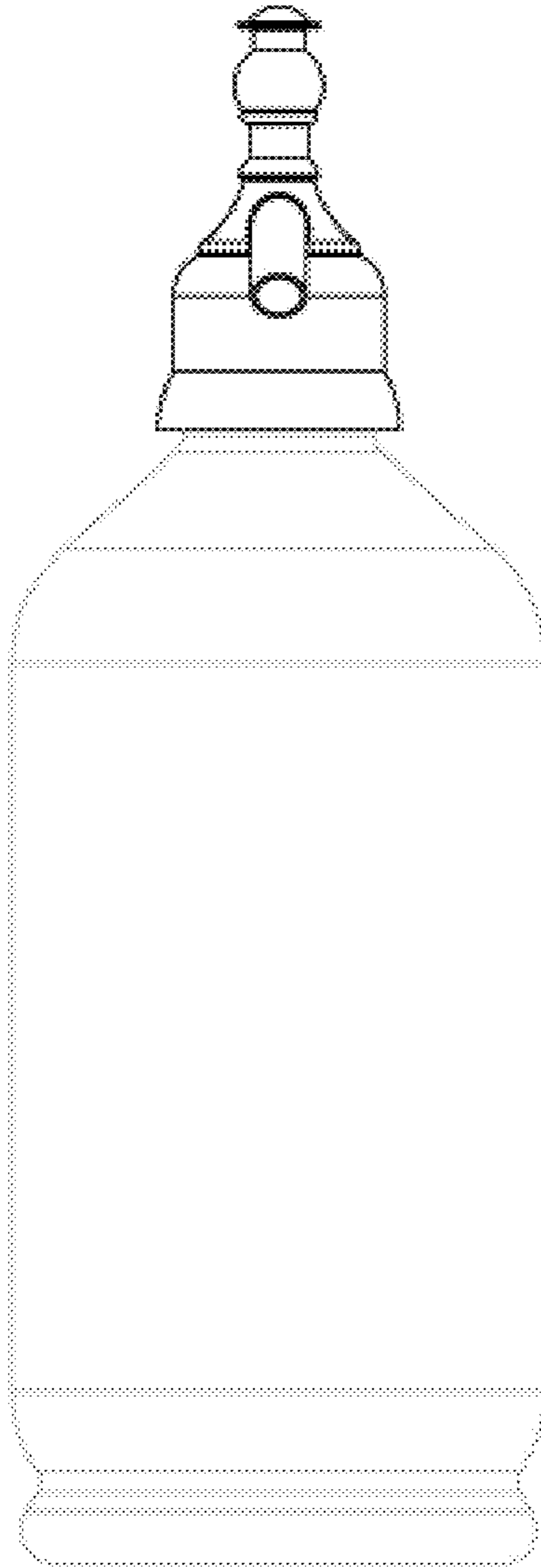


FIG. 7

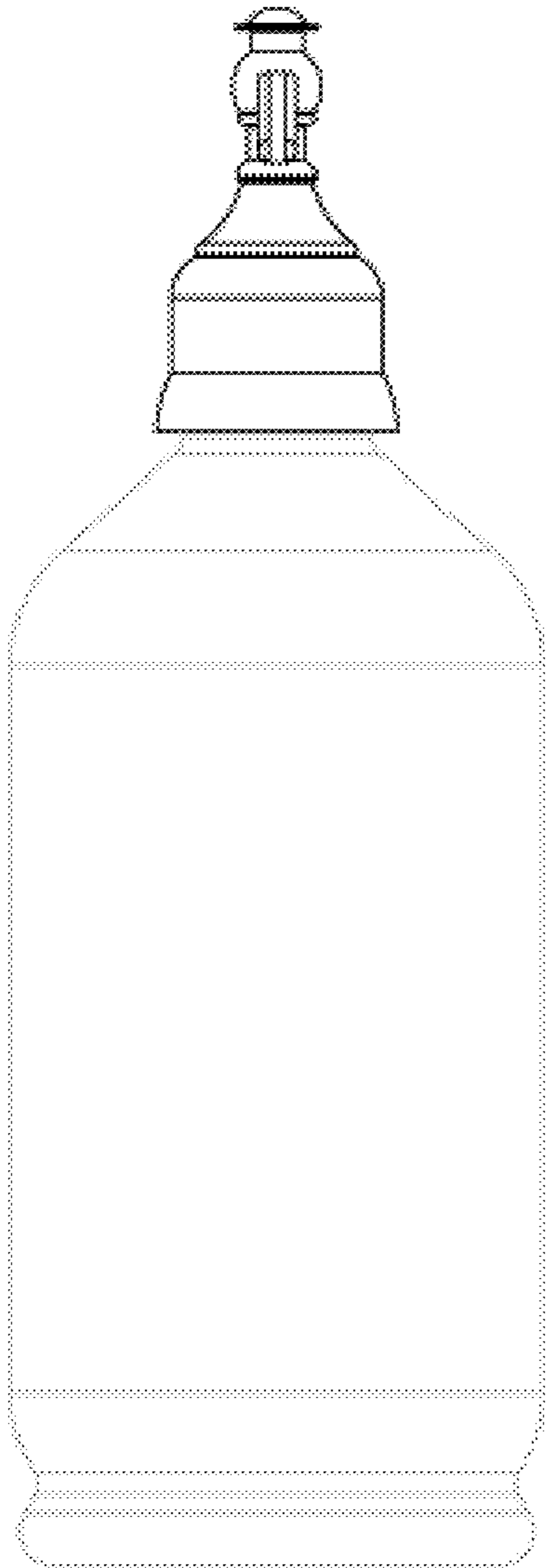


FIG. 8

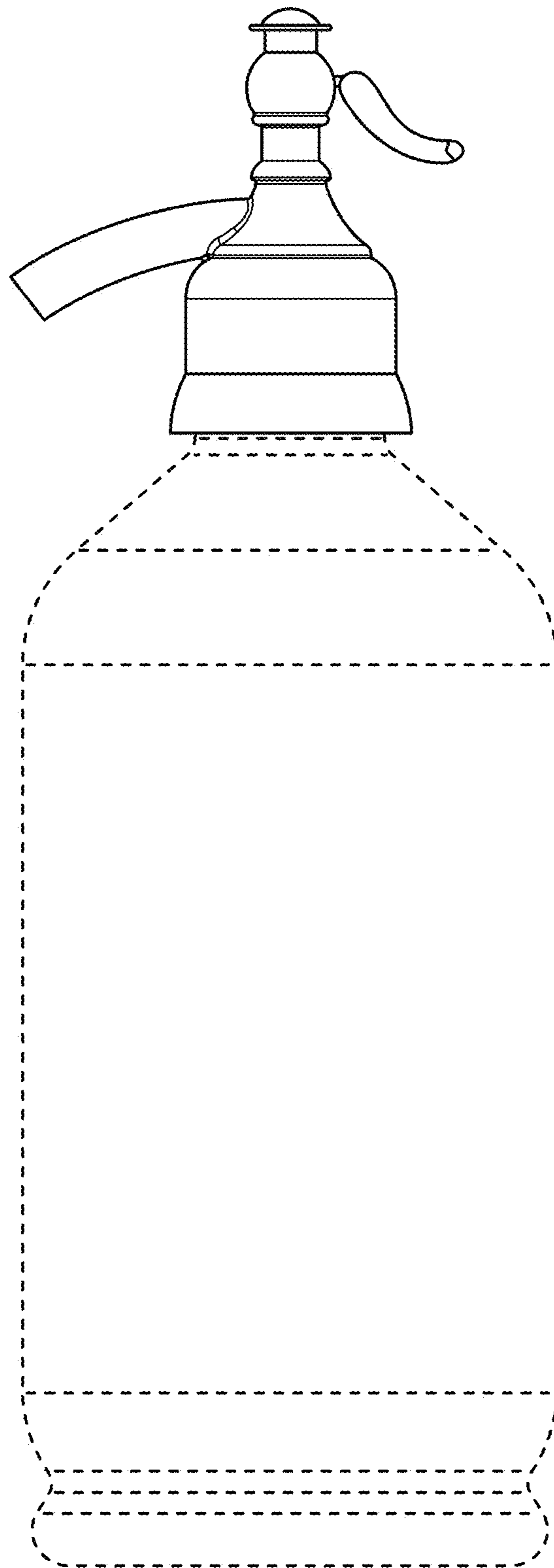


FIG. 9

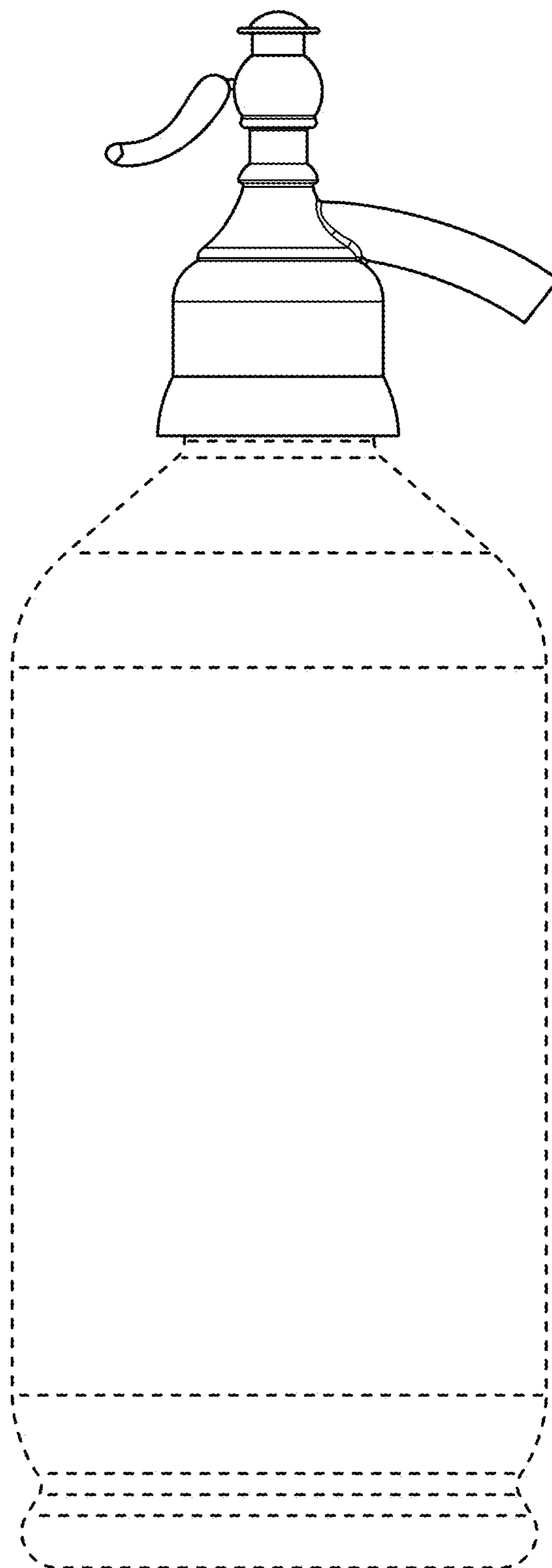


FIG. 10

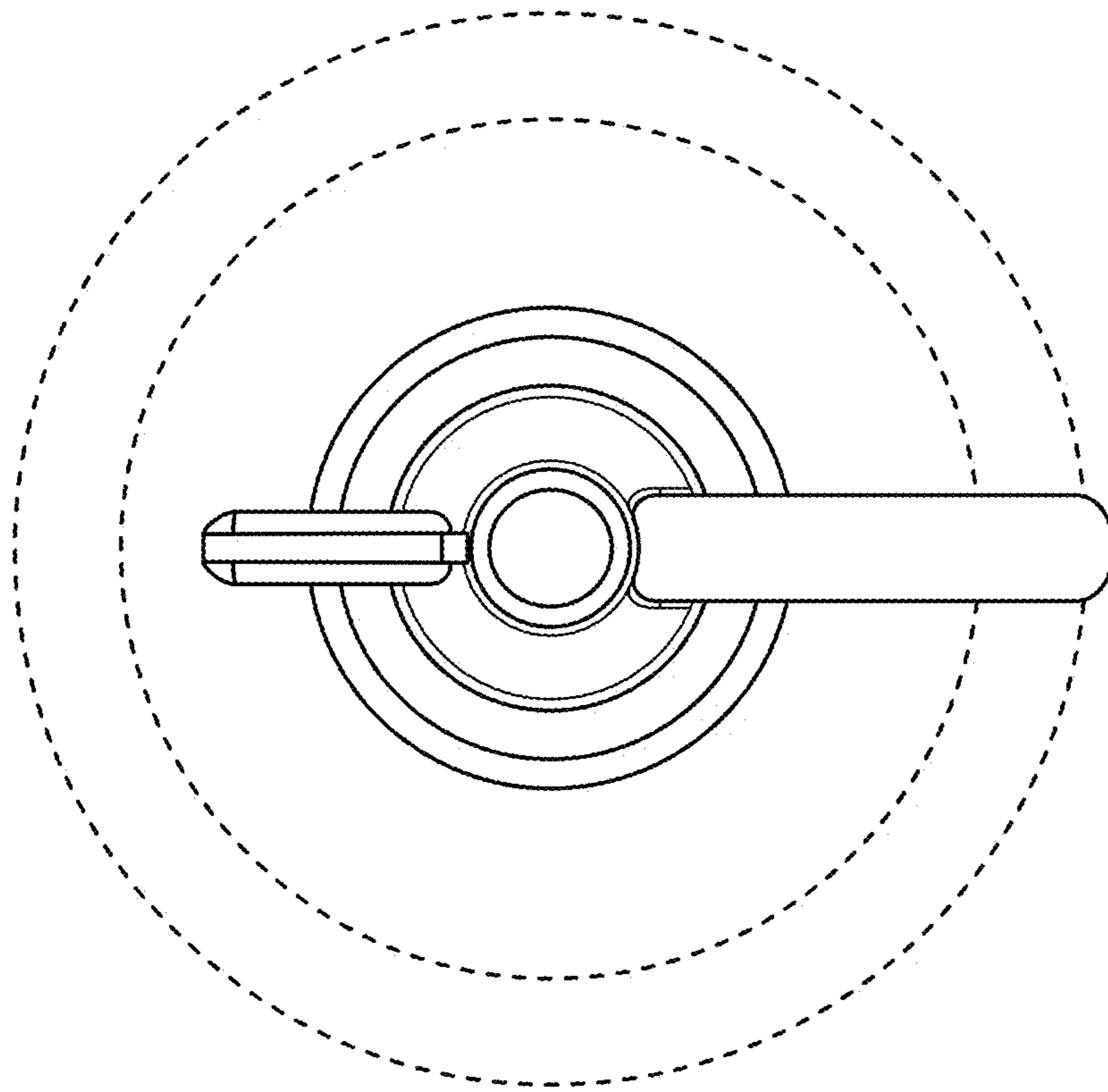


FIG. 11

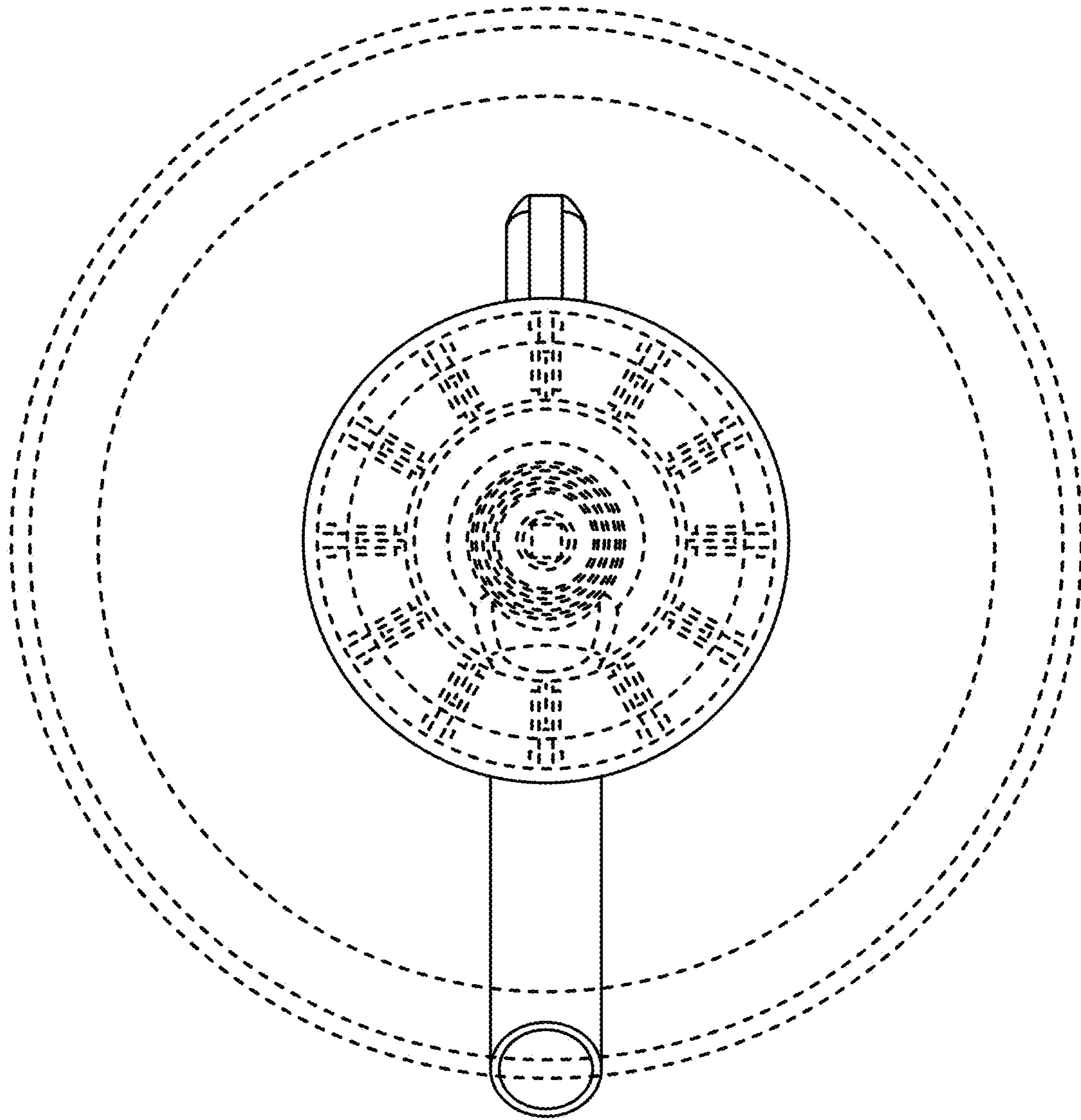


FIG. 12