



US00D899850S

(12) **United States Design Patent** (10) **Patent No.:** **US D899,850 S**
Xie (45) **Date of Patent:** **** Oct. 27, 2020**

(54) **LID FOR BEVERAGE CONTAINER**

OTHER PUBLICATIONS

(71) Applicant: **Shenzhenshi Baozhixia Keji youxiangongsi**, Shenzhen, Guangdong (CN)

“Unibos Flip Straw Water Bottle”. Found online Jan. 3, 2020 at amazon.co.uk. Reference dated Apr. 25, 2015. Retrieved from https://www.amazon.co.uk/Unibos-Tritan-Drinks-Hydration-Cycling/dp/B00WODRMZC/ref=sr_1_149?dchild=1&keywords=STRAW+bottle&qid=1578082044&sr=8-149.*

(72) Inventor: **Zhixia Xie**, Guangdong Province (CN)

“CamelBak Eddy+ Water Bottle”. Found online Jun. 24, 2020 at amazon.com. Reference dated Feb. 19, 2019. Retrieved from https://www.amazon.com/CamelBak-1642002060-Eddy-Quilt-GEO-6L/dp/B07HGQF89F/ref=cm_cr_ar_p_d_product_top?ie=UTF8&th=1.*

(**) Term: **15 Years**

“Takeya Actives Straw Lid”. Found online Jan. 3, 2020 at amazon.com. Reference dated Apr. 5, 2018. Retrieved from <https://www.amazon.com/...1lxVzVLElyTTVMNSZ3aWRnZXROYW1lPXNwX2RldGFpbF90aGVtYXRpYyZhY3Rpb249Y2xpY2tSZWRpcmVjdCZkb05vdExvZ0NsaWNrPXRydWU=>.*

(21) Appl. No.: **29/736,917**

(22) Filed: **Jun. 4, 2020**

(51) **LOC (12) Cl.** **07-01**

(52) **U.S. Cl.**
USPC **D7/392.1**

(58) **Field of Classification Search**

USPC D7/391, 392, 392.1, 396.1, 396.2, 397, D7/509, 510, 543, 629; D9/435, 443, D9/447, 449, 516

CPC B65D 47/066; B65D 47/0225
See application file for complete search history.

* cited by examiner

Primary Examiner — Kendra Leslie Hamilton

(56) **References Cited**

U.S. PATENT DOCUMENTS

D547,607 S *	7/2007	Forsman	D7/396.2
D652,256 S *	1/2012	Eyal	D7/510
D683,581 S *	6/2013	Archer	D7/392.1
8,602,238 B2 *	12/2013	El-Saden	B65D 51/242 215/389
D700,014 S *	2/2014	Zeanah	D7/510
D709,366 S	7/2014	Fleming		
D729,569 S *	5/2015	Herbst	D7/392
D760,080 S *	6/2016	Gorbald	D9/443
D793,154 S *	8/2017	Sorensen	D7/392.1
D811,162 S *	2/2018	Rane	D7/396.2
D814,855 S *	4/2018	Hammer	D7/392.1
D870,508 S *	12/2019	Palkon	D7/392.1
2010/0193462 A1 *	8/2010	Roth	B65D 81/18 215/229
2015/0307265 A1 *	10/2015	Winn	B65D 47/065 426/66

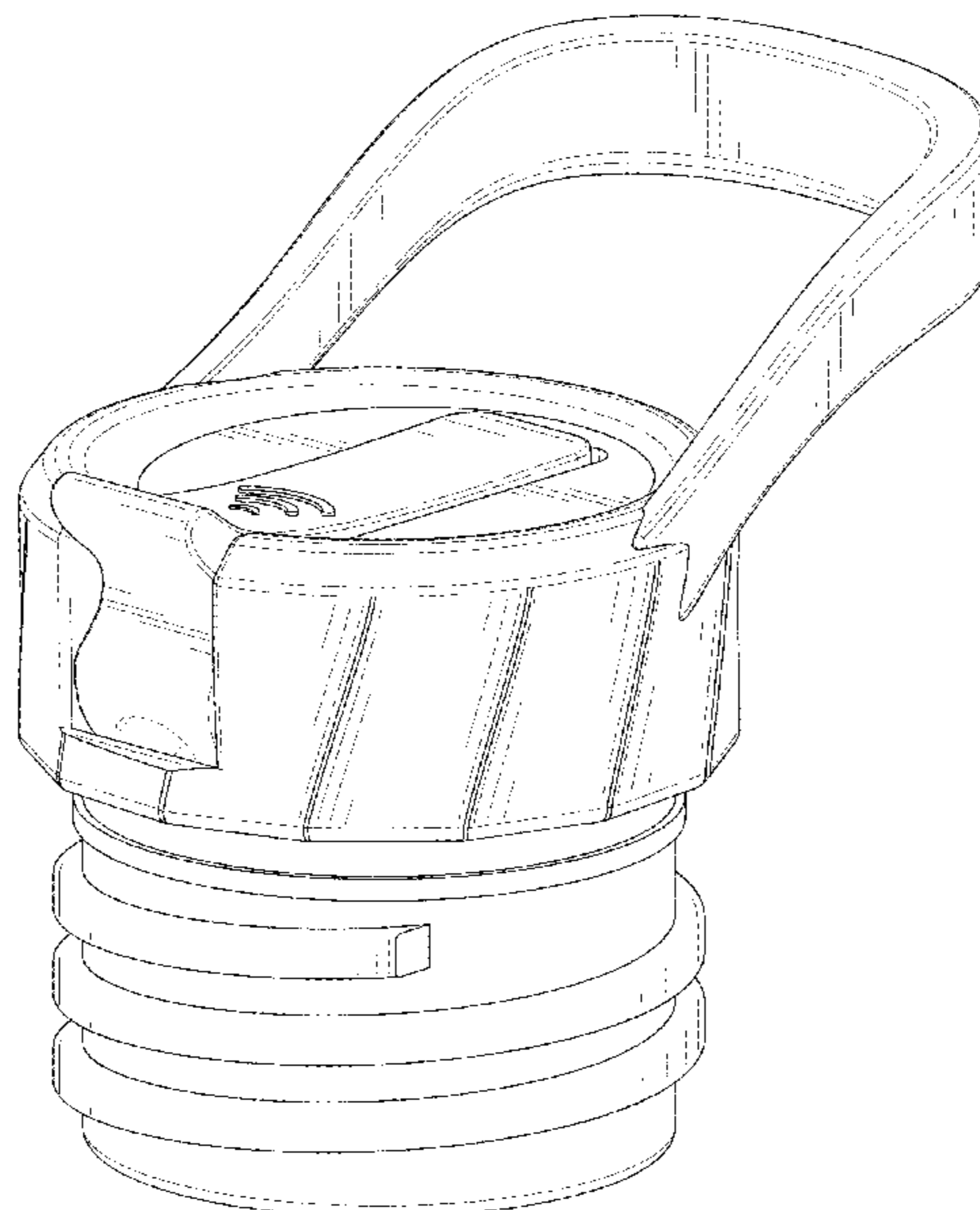
(57) **CLAIM**

The ornamental design for a lid for beverage container, as shown and described.

DESCRIPTION

FIG. 1 is a front, top, right perspective view of a lid for beverage container, showing my new design;
FIG. 2 is a rear, bottom, left perspective view thereof;
FIG. 3 is a front elevation view thereof;
FIG. 4 is a rear elevation view thereof;
FIG. 5 is a left side elevation view thereof;
FIG. 6 is a right side elevation view thereof;
FIG. 7 is a top plan view thereof; and,
FIG. 8 is a bottom plan view thereof.
The broken lines in the drawings depict portions of the lid for beverage container that form no part of the claimed design.

1 Claim, 8 Drawing Sheets



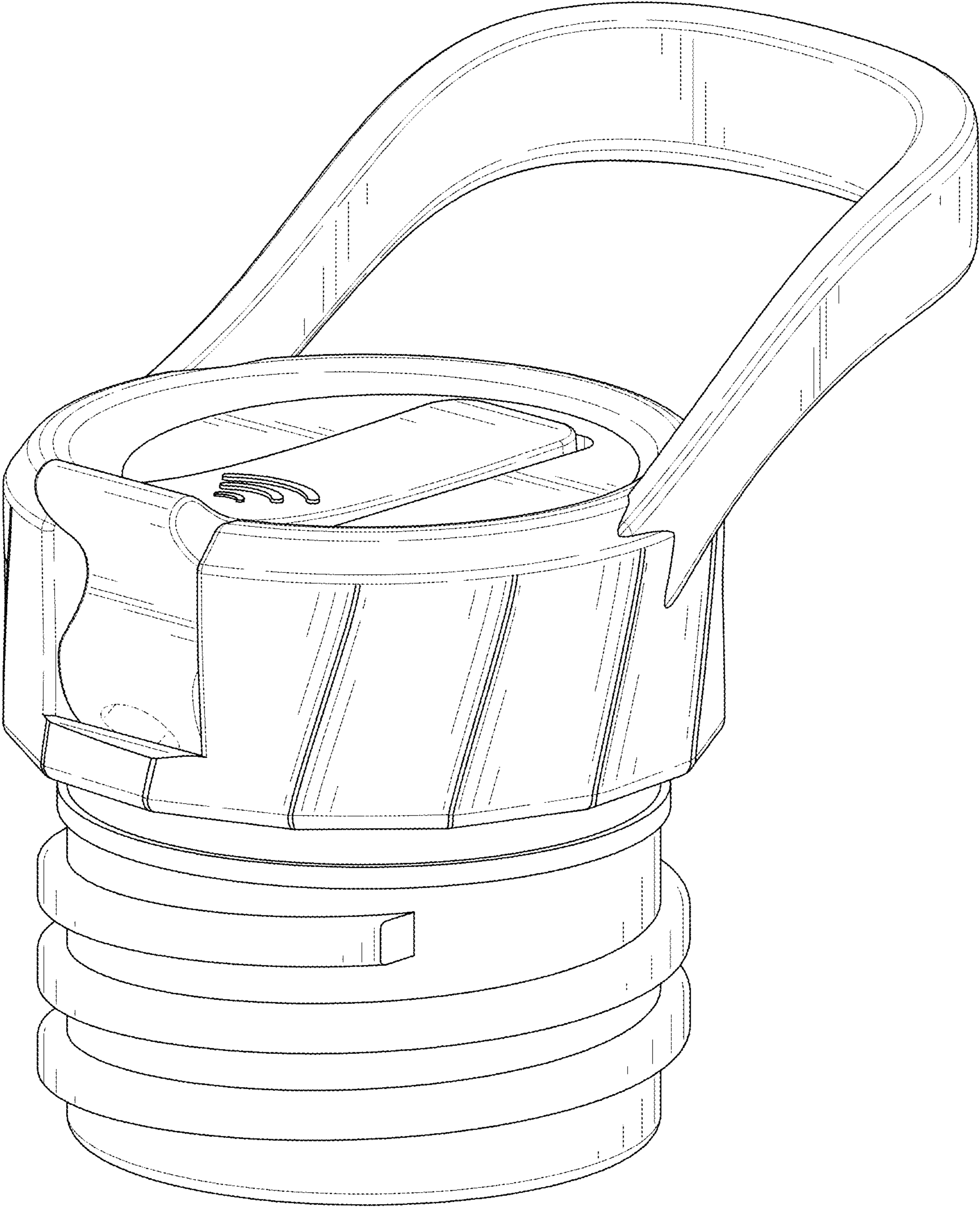


FIG. 1

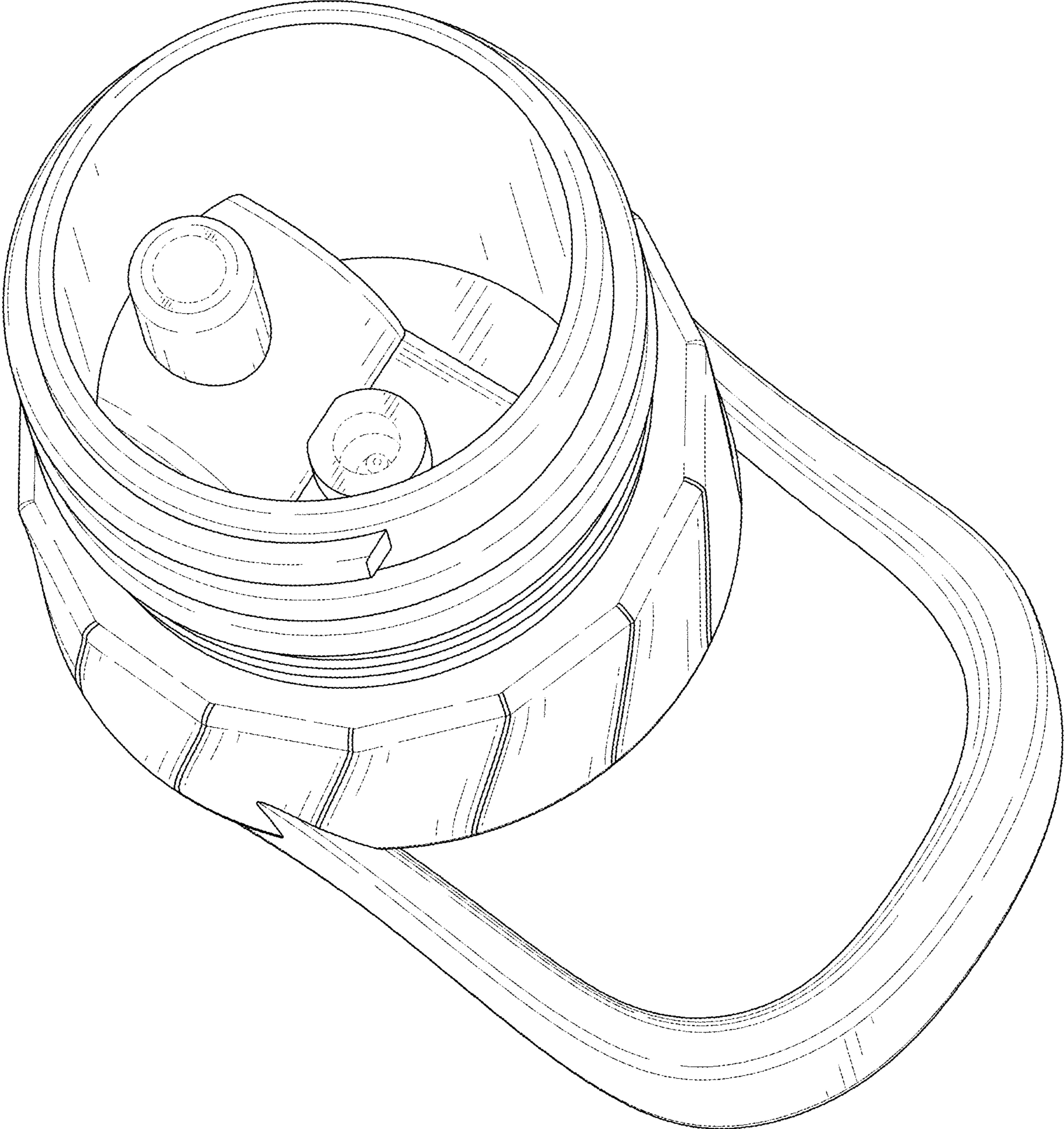


FIG. 2

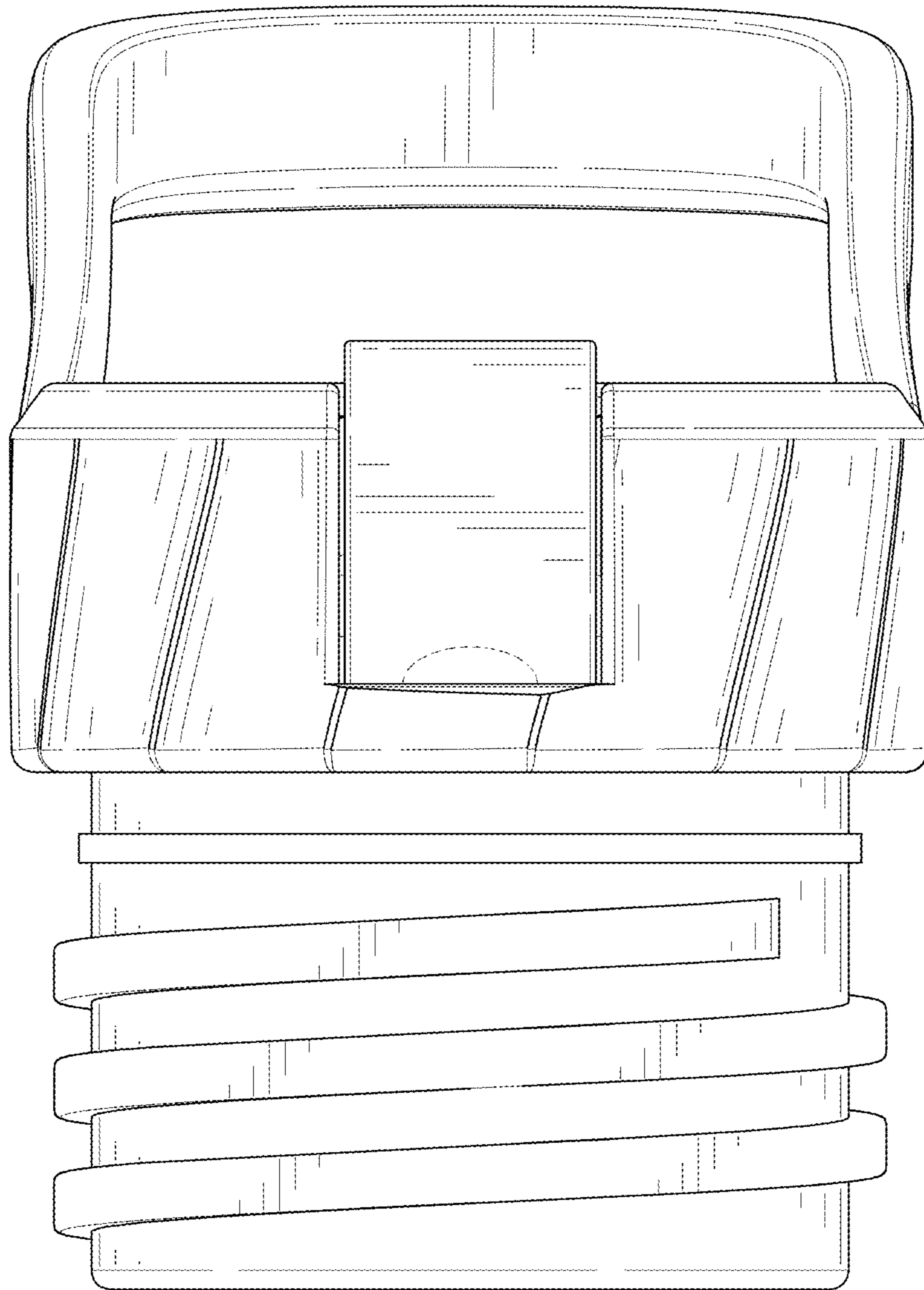


FIG. 3

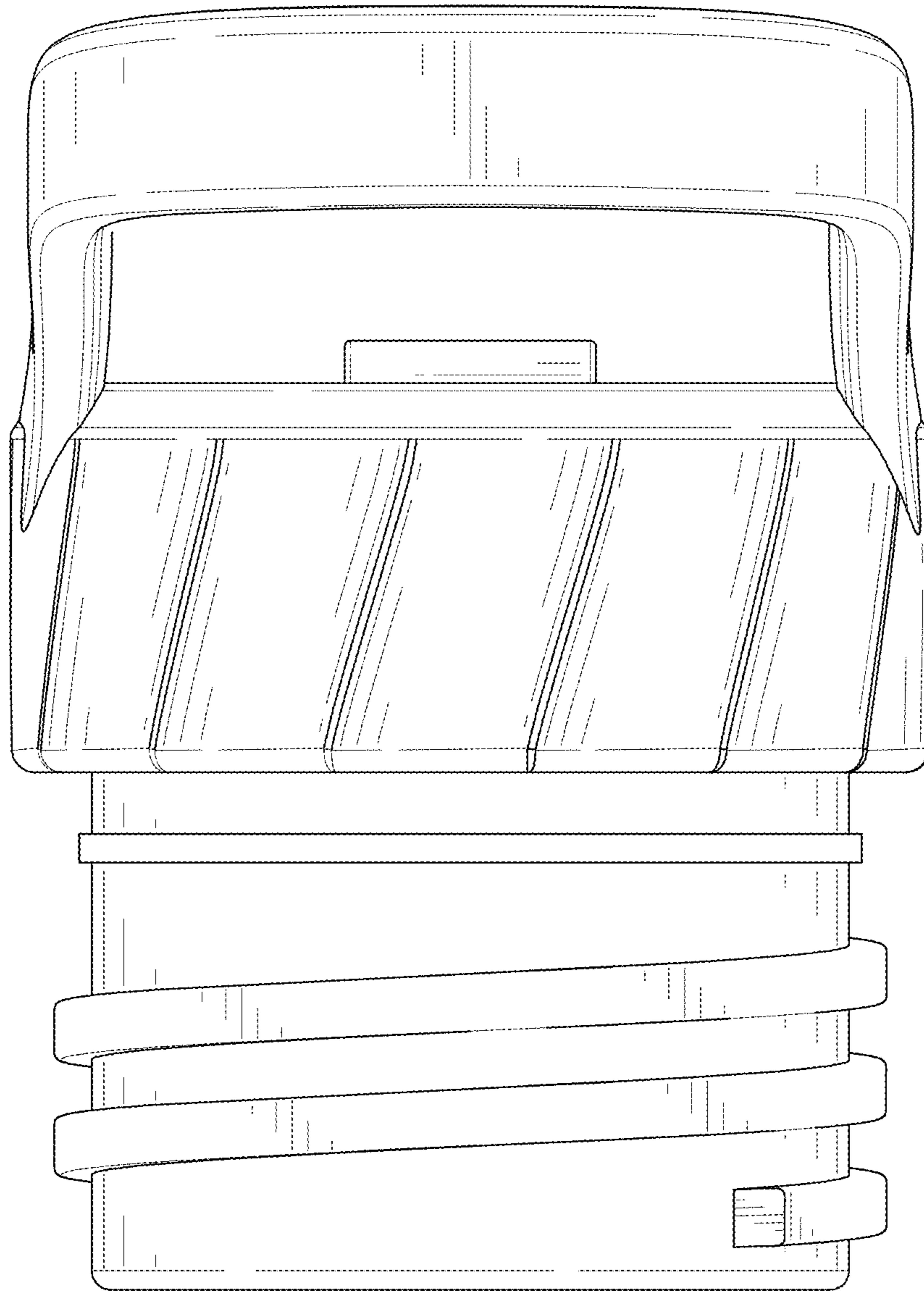


FIG. 4

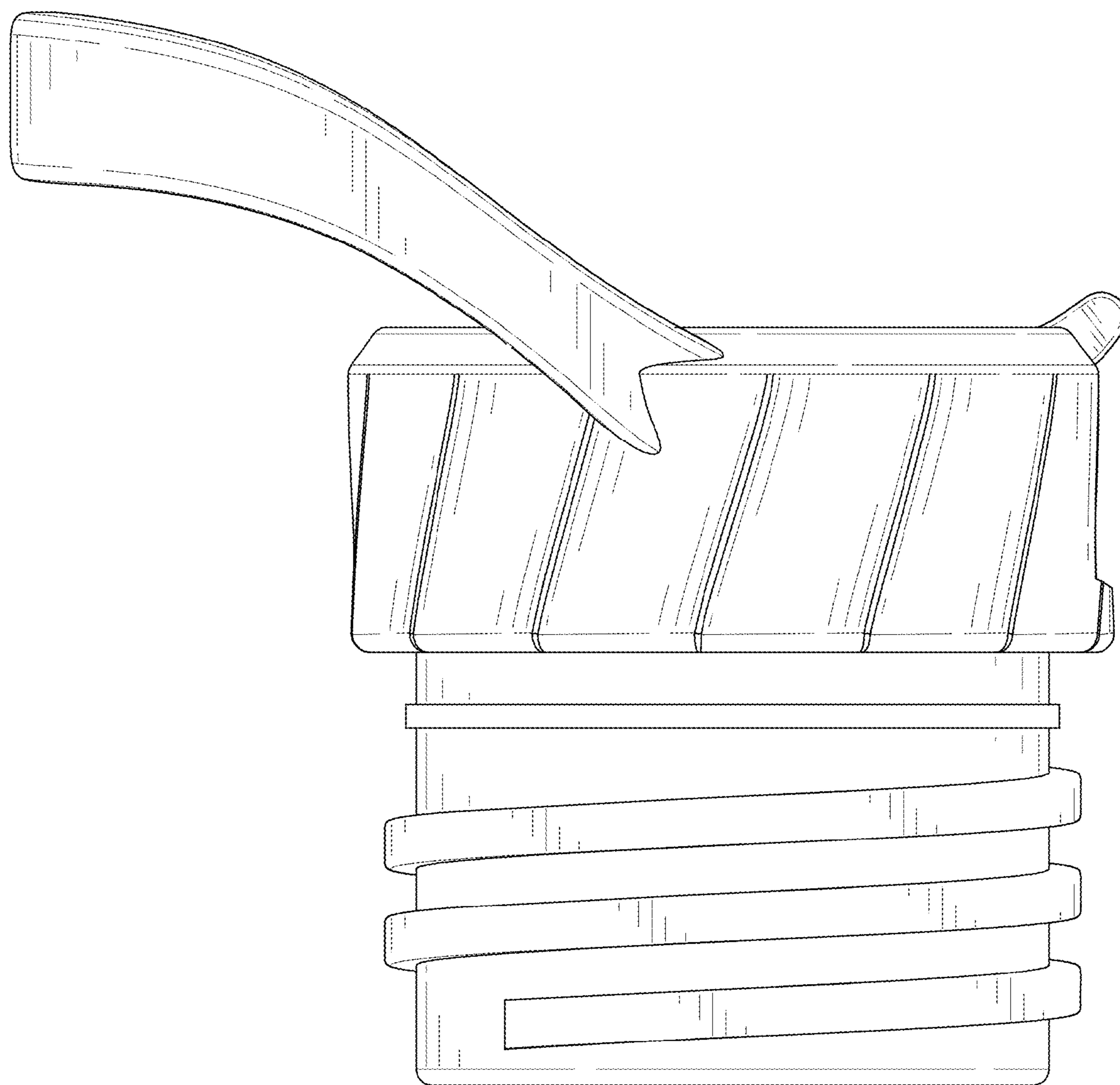


FIG. 5

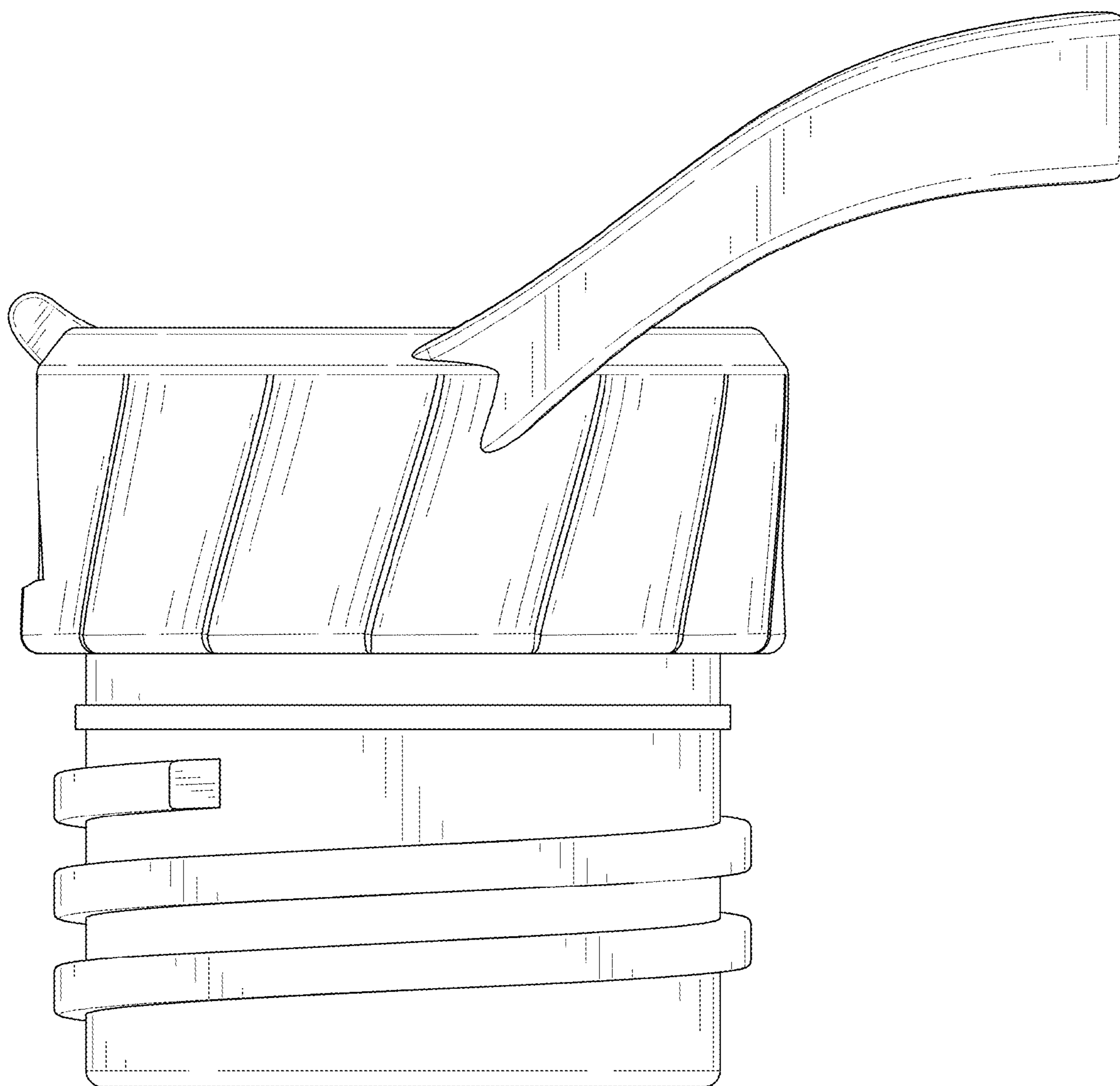


FIG. 6

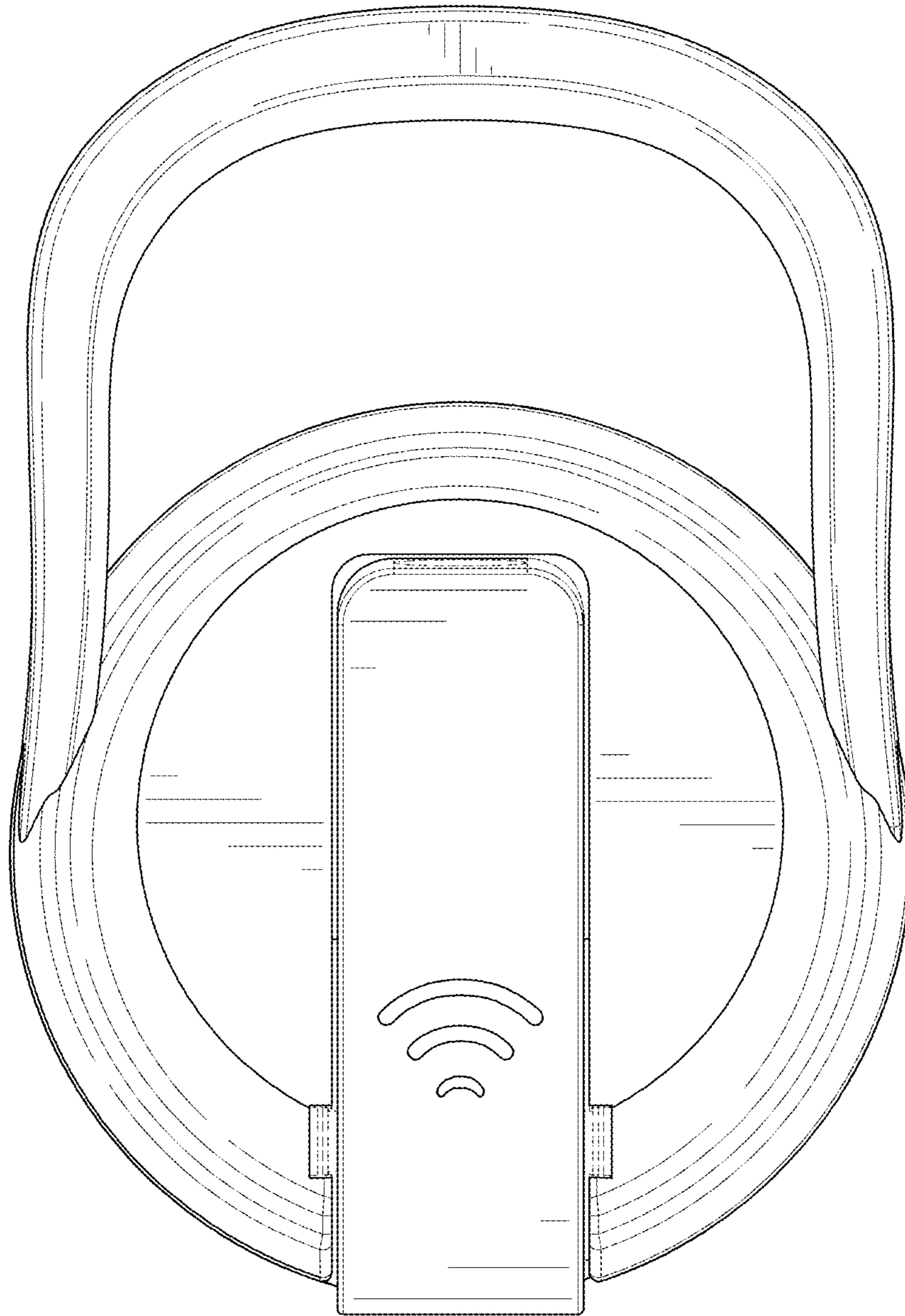


FIG. 7

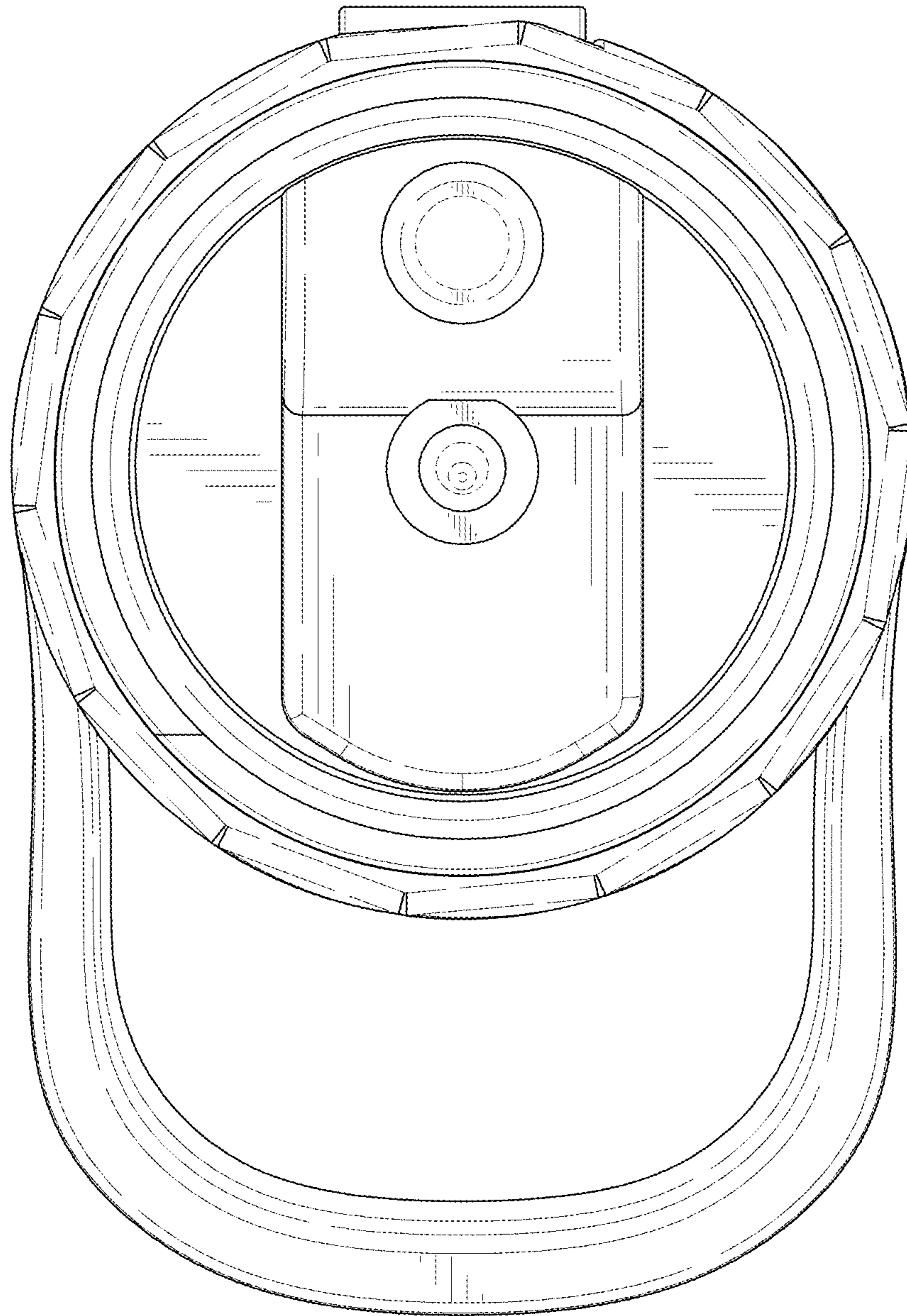


FIG. 8