



US00D899849S

(12) **United States Design Patent**  
**Zhang**

(10) **Patent No.:** **US D899,849 S**

(45) **Date of Patent:** **\*\* Oct. 27, 2020**

(54) **TUMBLER LID WITH STRAW AND FLIP-TOP**

(71) Applicant: **Yongkang Qiqing Industry and Trade Co., Ltd., Jinhua (CN)**

(72) Inventor: **Bo Zhang, Gongxian (CN)**

(\*\*) Term: **15 Years**

(21) Appl. No.: **29/734,625**

(22) Filed: **May 14, 2020**

(51) **LOC (12) Cl.** ..... **07-99**

(52) **U.S. Cl.**  
USPC ..... **D7/392.1; D7/396.2; D9/449**

(58) **Field of Classification Search**  
USPC ..... D9/414, 424, 425, 428, 432, 434, 435, D9/436, 439, 440, 443-450, 452-457, D9/499, 503, 682, 685, 686; D7/387, D7/391, 392, 392.1, 396.2, 510, 511, 538, D7/900; D3/202, 203.2; D28/91, 91.1  
CPC .. A61J 1/00; A61J 1/1412; B65D 1/00; B65D 1/02; B65D 1/10; B65D 1/46; B65D 5/46; B65D 41/00; B65D 41/38; B65D 41/56; B65D 41/62; B65D 47/00; B65D 47/06; B65D 47/08; B65D 2251/00; B65D 2543/00046; B65D 2543/00092; B65D 2543/00296  
See application file for complete search history.

(56) **References Cited**

**U.S. PATENT DOCUMENTS**

D272,323 S *	1/1984	Bainton	.....	D9/449
D416,755 S *	11/1999	Trombly	.....	D7/391
D485,759 S *	1/2004	Janky	.....	D7/392.1
D647,532 S	10/2011	Busch		
D668,116 S *	10/2012	Eyal	.....	D7/900
D717,103 S *	11/2014	Wilbur	.....	D7/392.1
D721,250 S *	1/2015	Chen	.....	D7/510
D788,583 S *	6/2017	Tu	.....	D9/449
D790,272 S *	6/2017	Han	.....	D7/396.2

D798,105 S *	9/2017	Stover	.....	D7/396.2
D799,320 S	10/2017	Goodwin et al.		
D802,362 S *	11/2017	Spivey	.....	D7/396.2
D807,692 S	1/2018	Yao		
D811,162 S *	2/2018	Rane	.....	D7/396.2
D815,889 S *	4/2018	Xu	.....	D7/396.2
D834,881 S *	12/2018	Seiders	.....	D7/392.1
10,232,993 B2 *	3/2019	Seiders	.....	B65D 51/1605
D845,064 S *	4/2019	Mulhauser	.....	D7/392.1

(Continued)

*Primary Examiner* — Wendy L Arminio

(74) *Attorney, Agent, or Firm* — KA Filing LLC; Wayne V. Harper; Cynthia Ward Flanigan

(57) **CLAIM**

The ornamental design for a tumbler lid with straw and flip-top, as shown and described.

**DESCRIPTION**

FIG. 1 is a perspective view of a tumbler lid with straw and flip-top showing my new design in a first configuration where the flip-top and straw are both shown in a closed position;

FIG. 2 is another perspective view of the tumbler lid with straw and flip-top of FIG. 1 showing my new design in a second configuration where the flip-top is in an open position and the straw is in a closed position;

FIG. 3 is another perspective view of the tumbler lid with straw and flip-top of FIG. 1 showing my new design in a third configuration where the flip-top is in a closed position and the straw is in an open position;

FIG. 4 is a front view of the tumbler lid with straw and flip-top of FIG. 1;

FIG. 5 is a back view thereof;

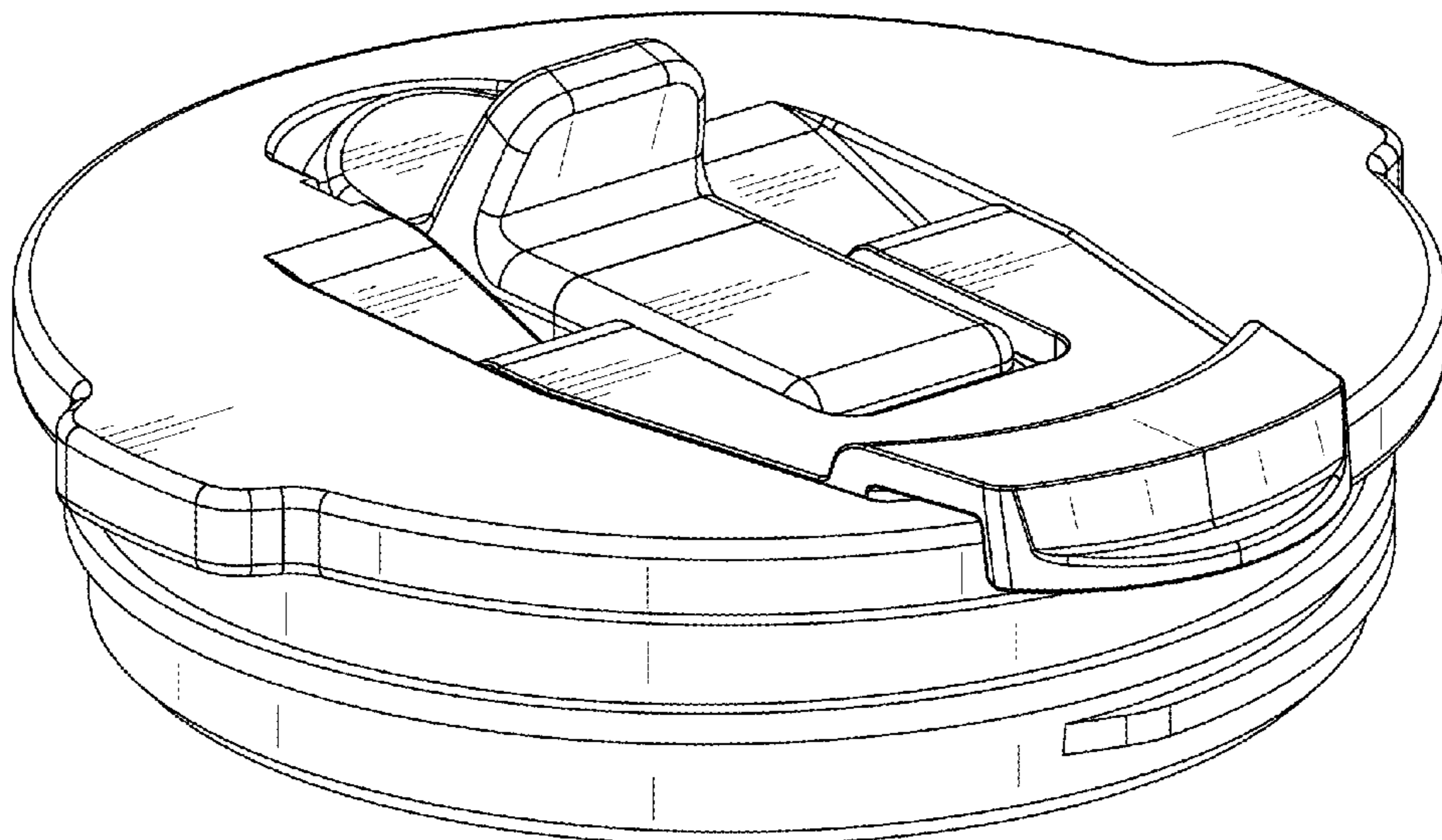
FIG. 6 is a left-side view thereof;

FIG. 7 is a right-side view thereof; and,

FIG. 8 is a top view thereof.

The broken lines depict environment and form no part of the claimed design.

**1 Claim, 6 Drawing Sheets**



(56)

**References Cited**

U.S. PATENT DOCUMENTS

D850,192 S \* 6/2019 Jacobsen ..... D7/396.2  
D857,443 S \* 8/2019 Hill ..... D9/447  
D863,874 S \* 10/2019 Melanson ..... D7/392.1  
D867,057 S \* 11/2019 Spivey ..... D7/392  
D869,898 S \* 12/2019 Hannigan ..... D7/392.1  
D871,144 S 12/2019 Zhang  
D882,334 S \* 4/2020 Henkel ..... D7/396.2  
2016/0264312 A1 \* 9/2016 Choltco-Devlin .....  
B65D 47/0895  
2017/0121073 A1 \* 5/2017 Seiders ..... B29C 45/1657  
2017/0273484 A1 \* 9/2017 Spivey ..... B65D 43/22  
2018/0332987 A1 \* 11/2018 Lin ..... B65D 51/18  
2019/0092540 A1 \* 3/2019 Spivey ..... B65D 47/0857

\* cited by examiner

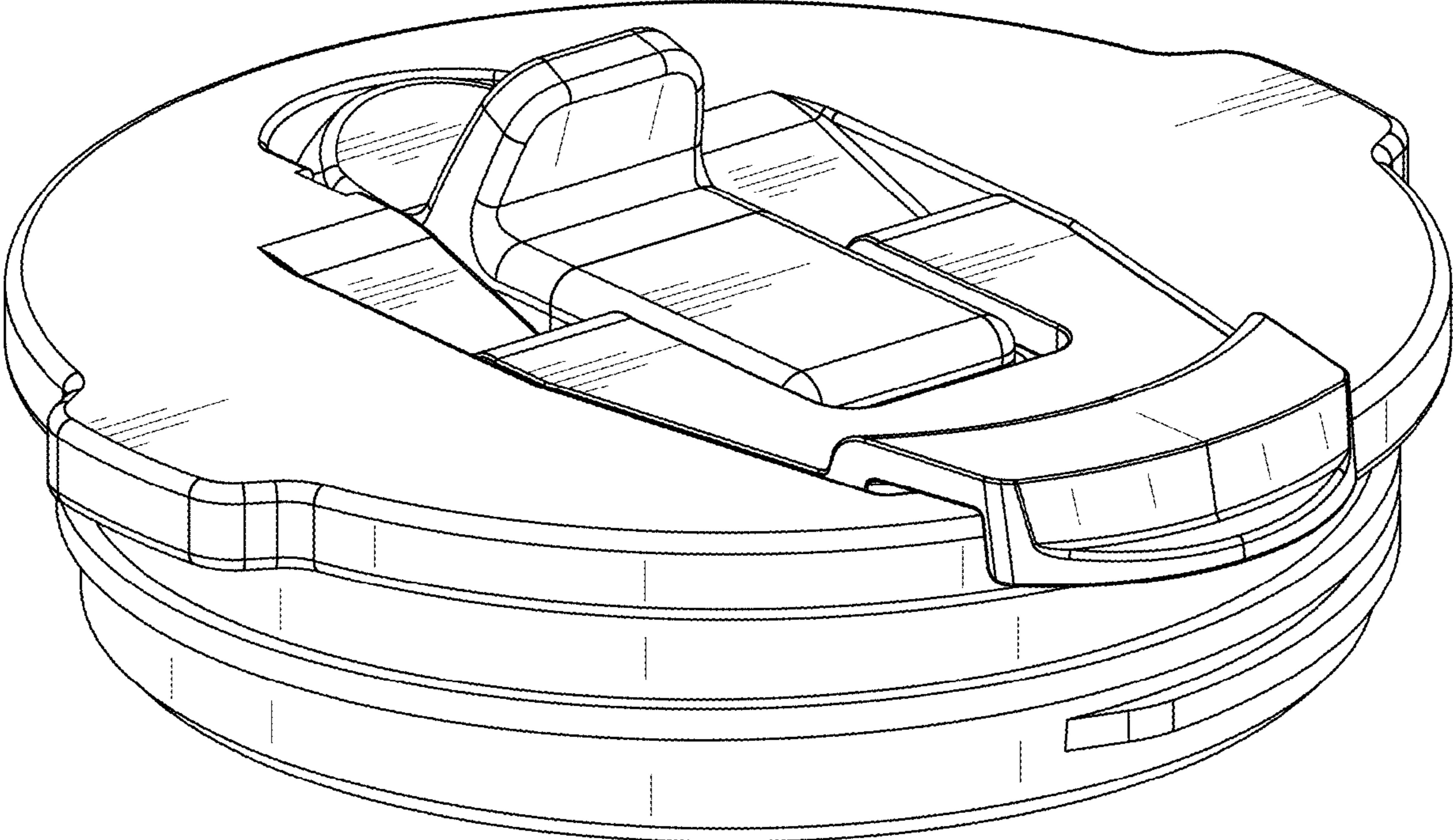


FIG. 1

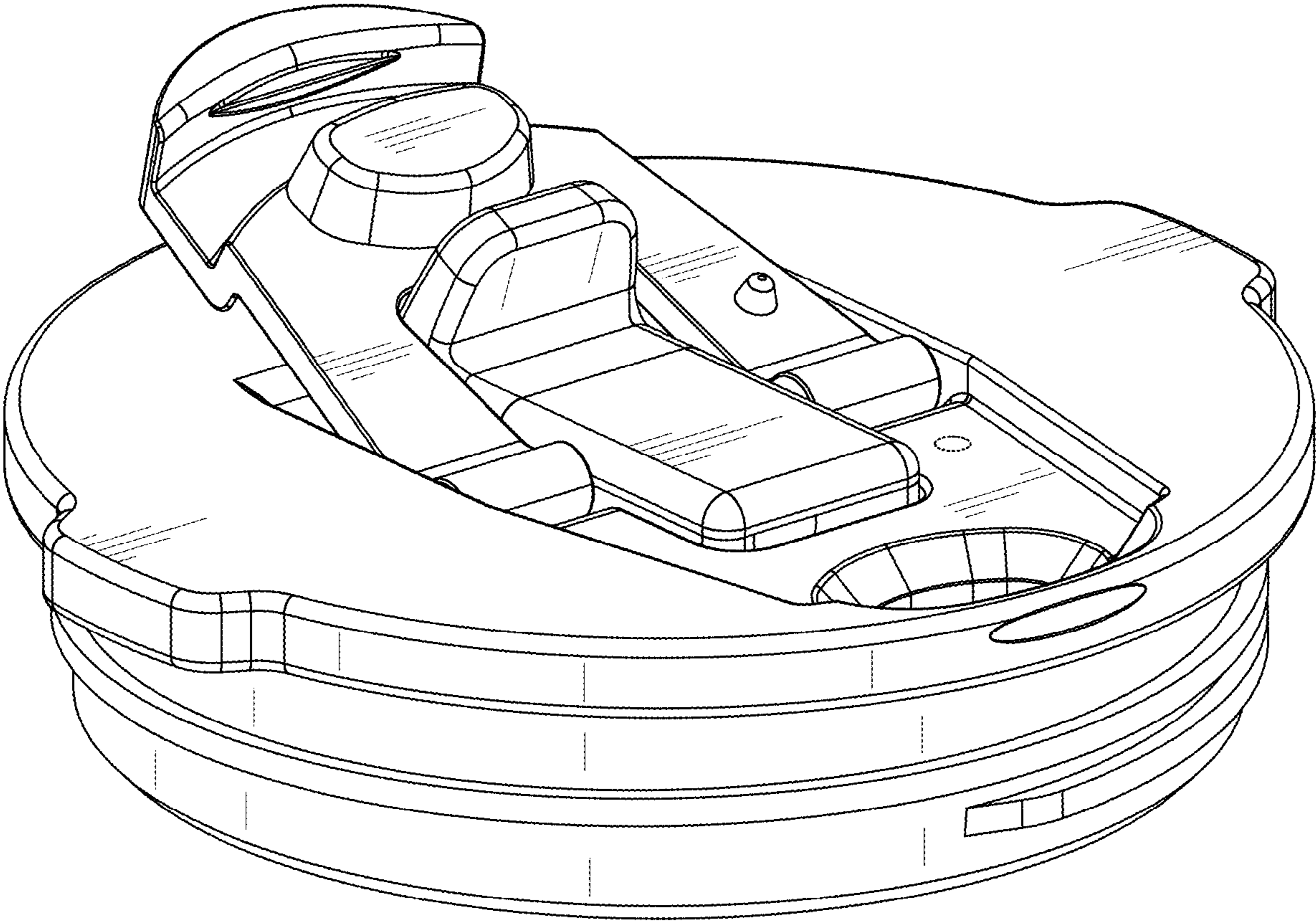


FIG. 2

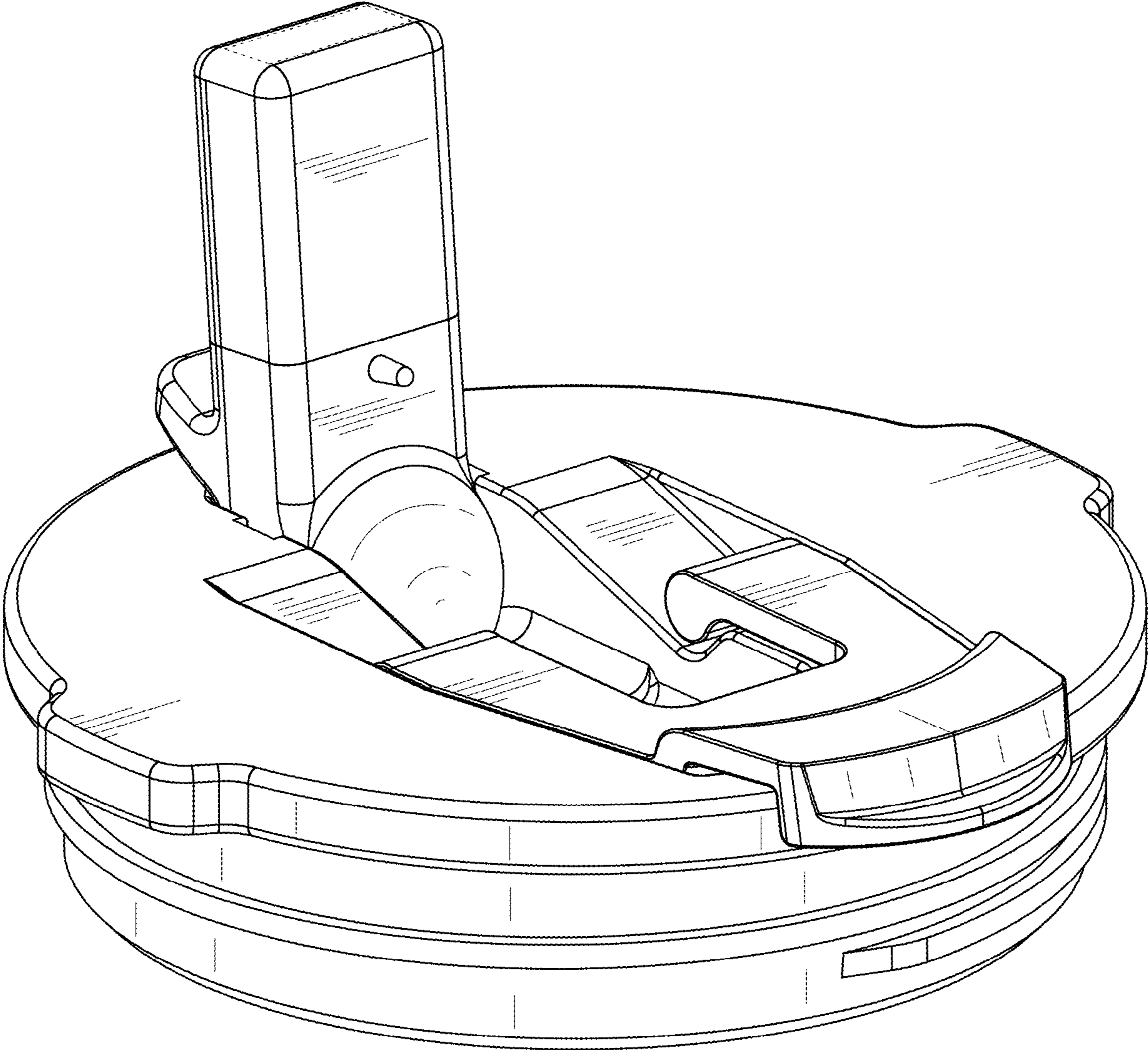


FIG. 3

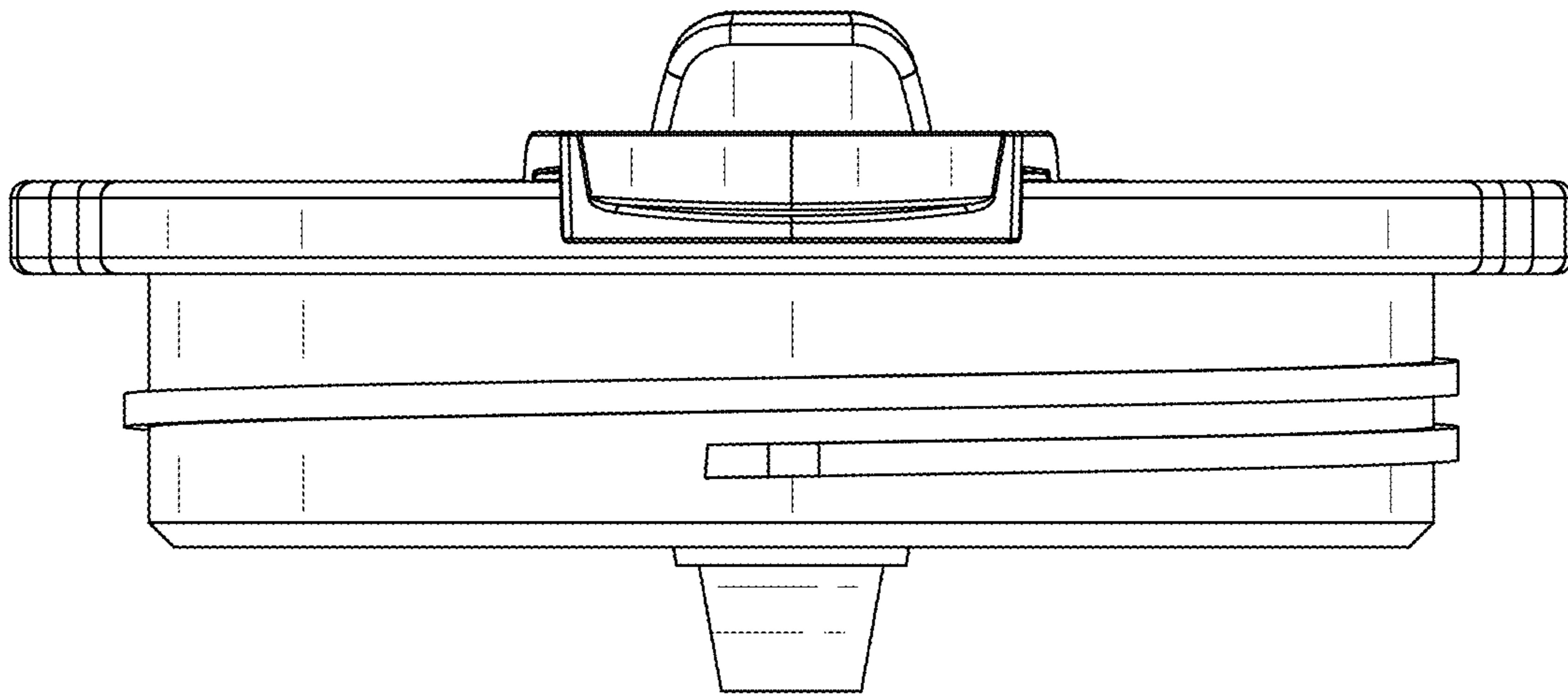


FIG. 4

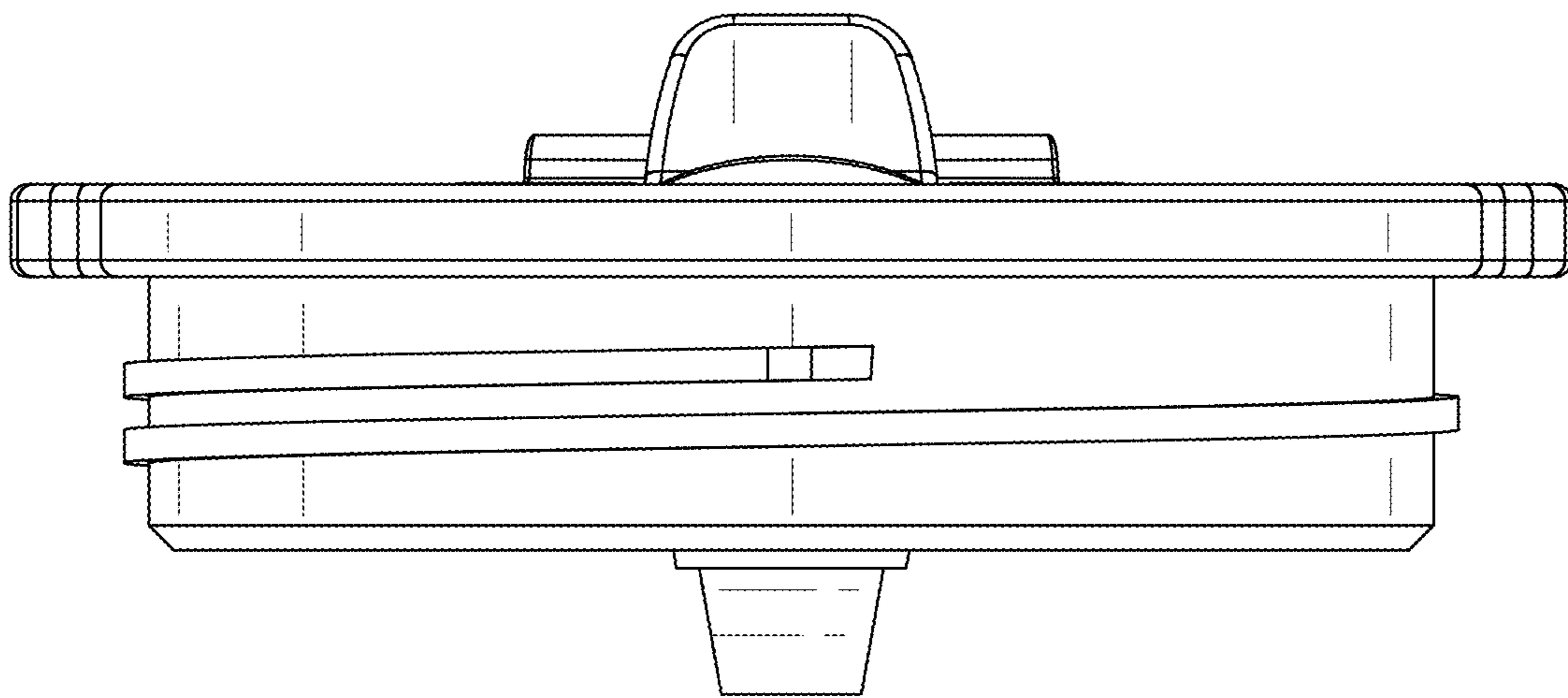


FIG. 5

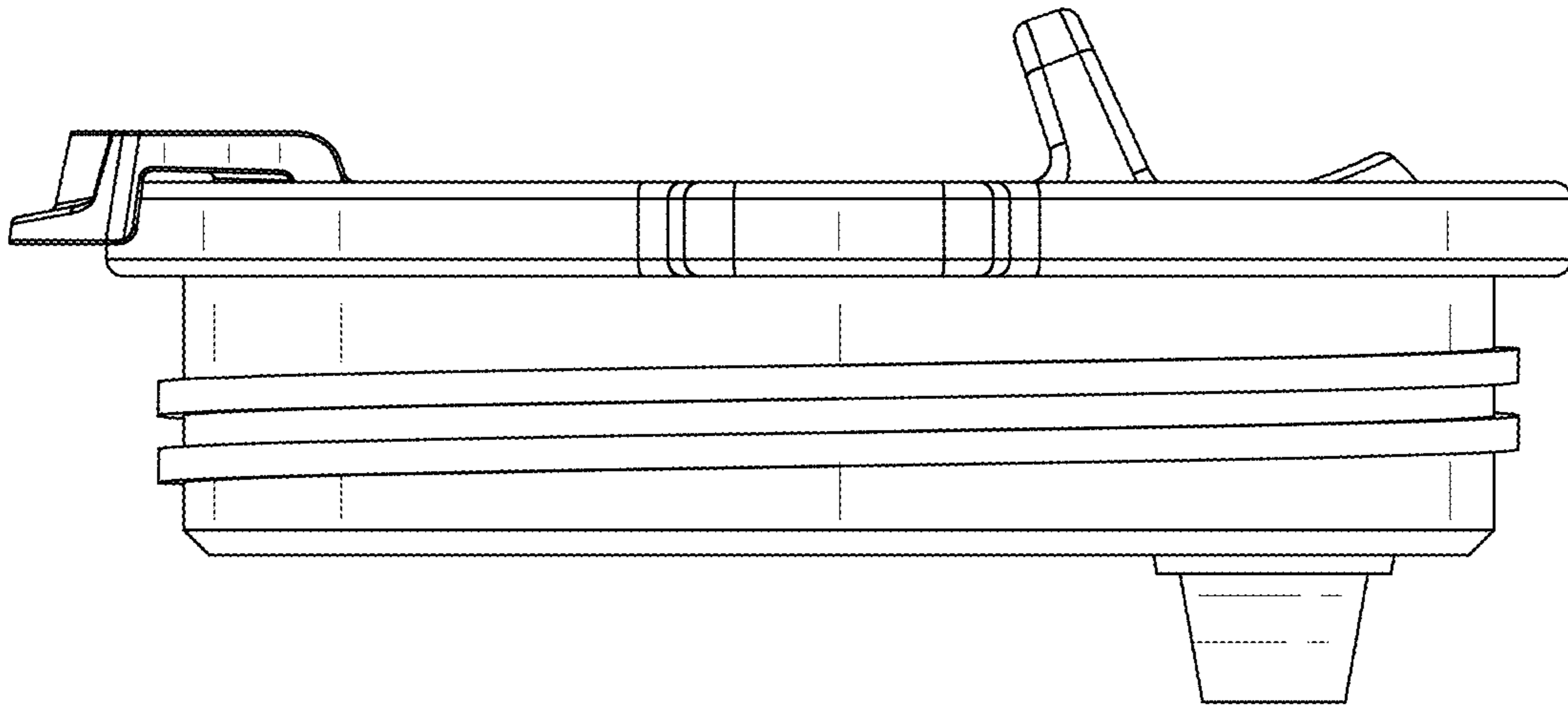


FIG. 6

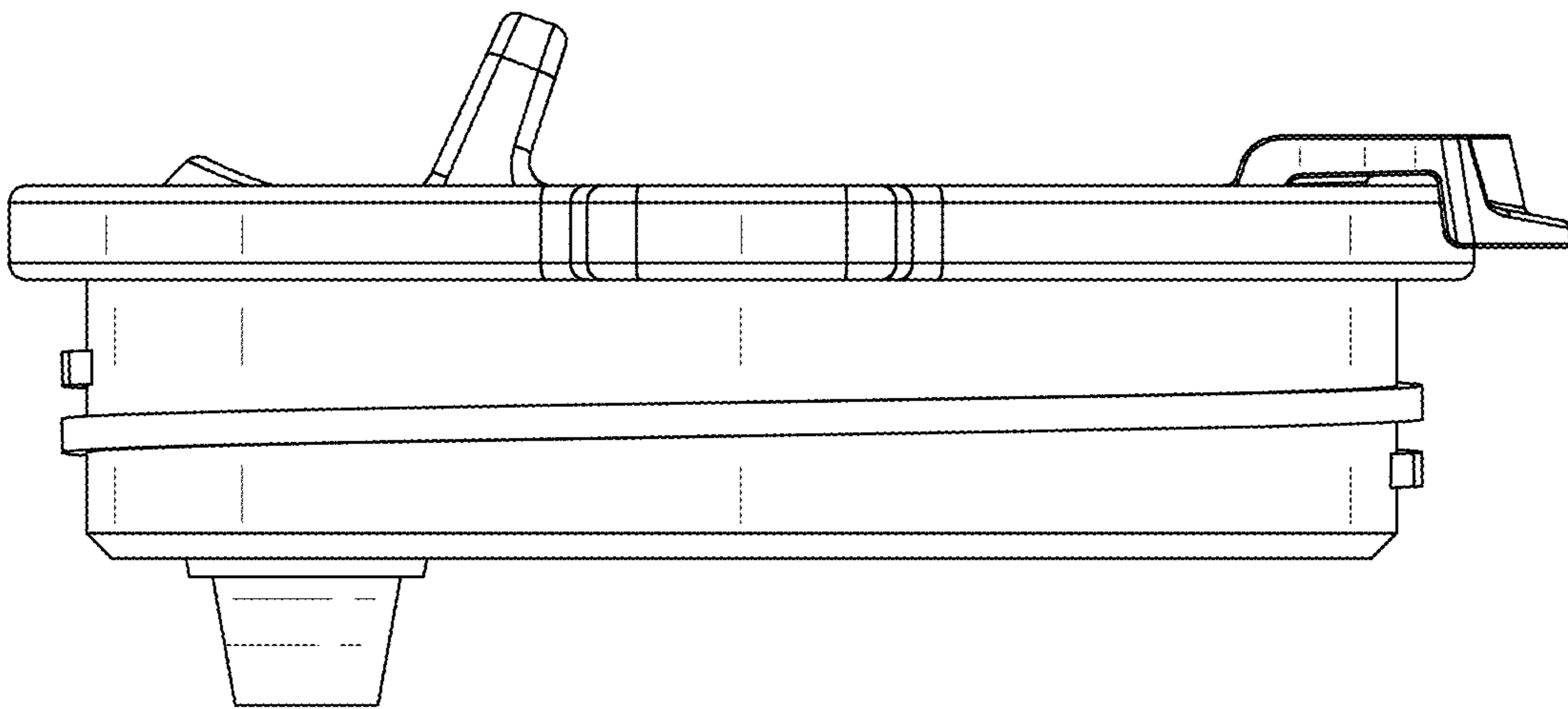


FIG. 7

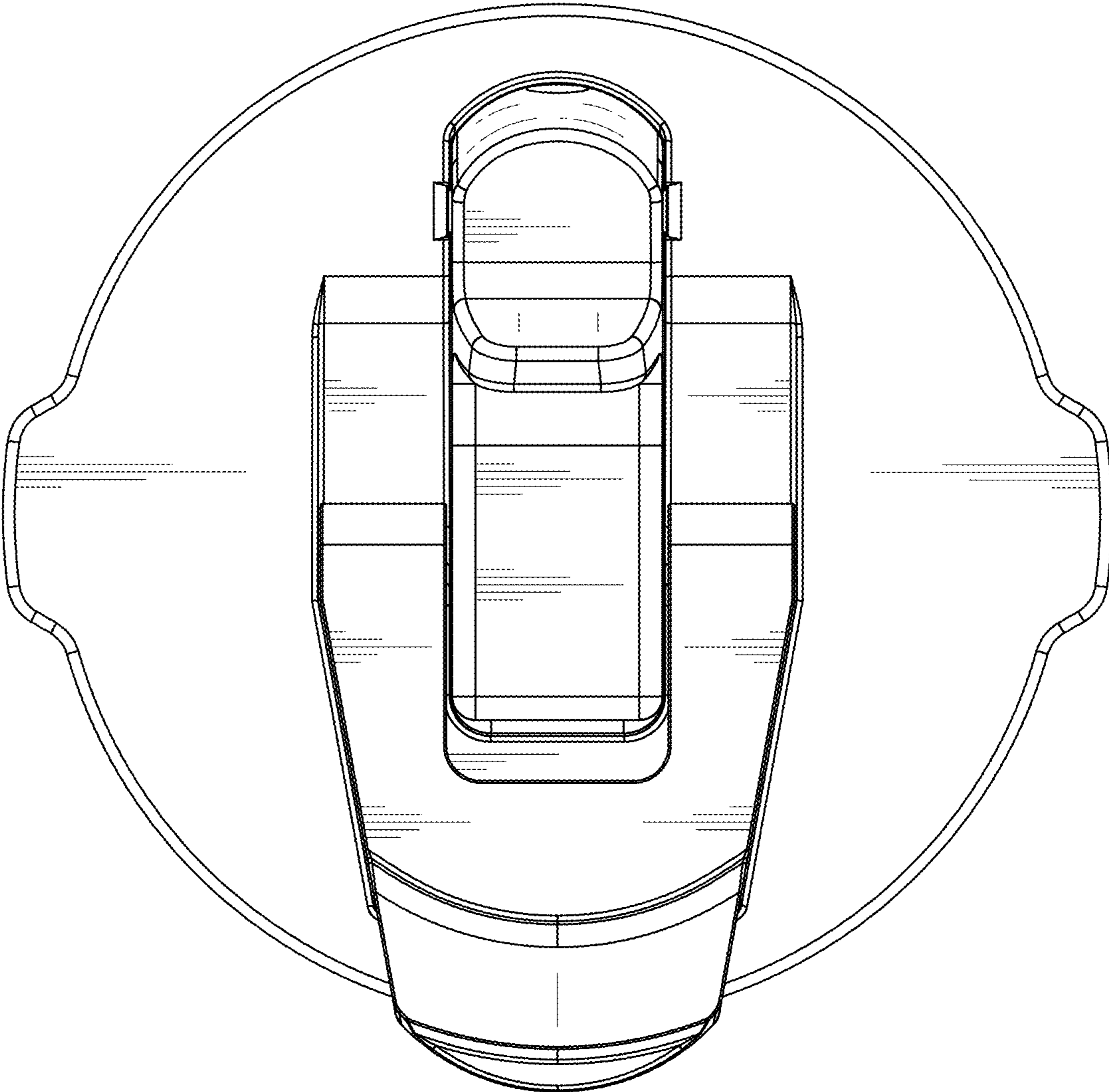


FIG. 8