



US00D899848S

(12) **United States Design Patent**  
**Zhang**

(10) **Patent No.:** **US D899,848 S**

(45) **Date of Patent:** **\*\* Oct. 27, 2020**

- (54) **SPORTS BOTTLE LID WITH STRAW AND HANDLE**
- (71) Applicant: **Yongkang Qiqing Industry and Trade Co., Ltd., Jinhua (CN)**
- (72) Inventor: **Bo Zhang, Gongxian (CN)**
- (\*\*) Term: **15 Years**
- (21) Appl. No.: **29/729,517**
- (22) Filed: **Mar. 27, 2020**
- (51) **LOC (12) Cl.** ..... **07-99**
- (52) **U.S. Cl.**  
USPC ..... **D7/392.1; D7/396.2; D9/443; D9/450**
- (58) **Field of Classification Search**  
USPC ..... **D9/434, 435, 438-454, 499, 503-505, D9/682, 685, 686; D7/300.1, 387, 391, D7/392, 392.1, 393, 394, 396.1, 396.2, D7/506, 507, 510, 511, 533, 534, 900; D3/202, 203.2, 294, 318; D28/91, 91.1**  
CPC .. **A61J 1/00; A61J 1/1412; B65D 1/00; B65D 1/1412; B65D 1/02; B65D 1/10; B65D 1/46; B65D 5/46; B65D 41/00; B65D 41/38; B65D 41/56; B65D 41/62; B65D 47/00; B65D 47/06; B65D 47/08; B65D 2251/00; B65D 2543/00046; B65D 2543/00092; B65D 2543/00296**  
See application file for complete search history.

(56) **References Cited**

**U.S. PATENT DOCUMENTS**

- D547,607 S \* 7/2007 Forsman ..... D7/396.2
- D614,440 S \* 4/2010 Cresswell ..... D7/392.1
- D647,532 S 10/2011 Busch
- D649,879 S \* 12/2011 Gullickson ..... D9/450
- D654,793 S \* 2/2012 Rosbach ..... D9/443
- D682,016 S 5/2013 Knight
- D683,581 S \* 6/2013 Archer ..... D9/447

- D686,871 S 7/2013 Lane
- D720,218 S 12/2014 Hutson et al.
- D752,916 S \* 4/2016 Goodwin ..... D7/392.1
- D760,080 S \* 6/2016 Gorbald ..... D9/443
- D792,215 S \* 7/2017 Eyal ..... D7/392.1
- D799,320 S \* 10/2017 Goodwin ..... D9/449
- 9,776,777 B2 \* 10/2017 Gorbald ..... B65D 51/242
- D804,903 S \* 12/2017 Mason ..... D7/510
- D807,692 S 1/2018 Yao
- D810,500 S \* 2/2018 Maple ..... D7/392.1
- D811,162 S \* 2/2018 Rane ..... D7/396.2
- D812,966 S \* 3/2018 Murosky ..... D7/392.1
- D814,855 S \* 4/2018 Hammer ..... D7/392.1
- D823,061 S \* 7/2018 Murosky ..... D7/510
- D835,938 S \* 12/2018 Zou ..... D7/392.1

(Continued)

*Primary Examiner* — Wendy L Arminio

(74) *Attorney, Agent, or Firm* — KA Filing LLC; Wayne V. Harper; Cynthia Ward Flanigan

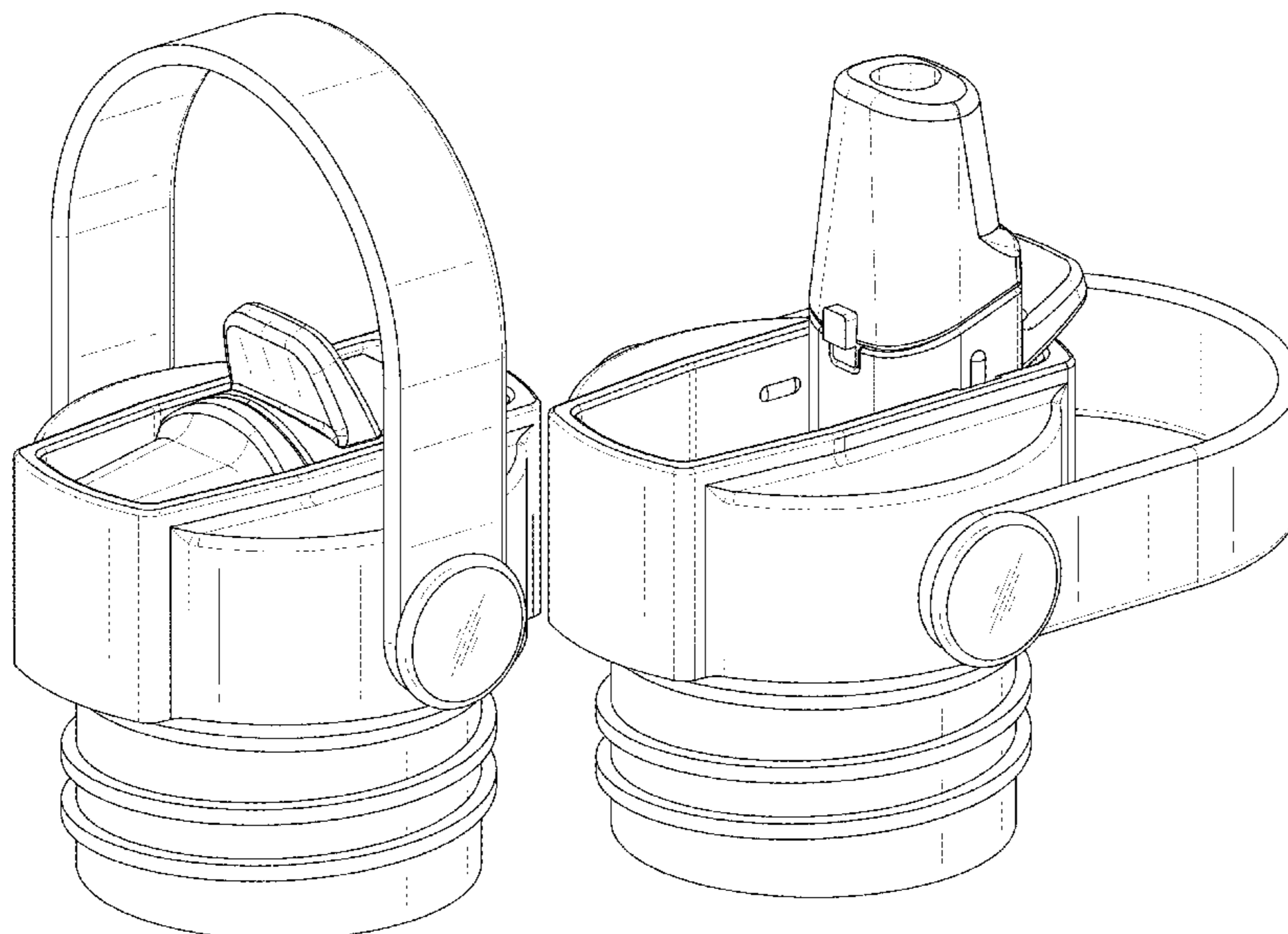
(57) **CLAIM**

The ornamental design for a sports bottle lid with straw and handle, as shown and described.

**DESCRIPTION**

FIG. 1 is a perspective view of a sports bottle lid with straw and handle showing my new design in a closed position; FIG. 2 is another perspective view of the sports bottle lid with straw and handle showing my new design in an open position; FIG. 3 is a front view of the sports bottle lid with straw and handle of FIG. 1 shown in the closed position; FIG. 4 is a back view thereof; FIG. 5 is a right side view thereof; FIG. 6 is a left side view thereof; FIG. 7 is a top view thereof; and, FIG. 8 is a bottom view thereof. The broken lines depict portions of the a sports bottle lid with straw and handle that form no part of the claimed design.

**1 Claim, 8 Drawing Sheets**



(56)

**References Cited**

U.S. PATENT DOCUMENTS

D853,236 S \* 7/2019 Yao ..... D7/392.1  
D862,228 S \* 10/2019 Yao ..... D9/443  
D862,985 S \* 10/2019 Backs ..... D7/511  
D868,534 S \* 12/2019 Lin ..... D7/392.1  
D870,508 S \* 12/2019 Palkon ..... D7/392.1  
D871,144 S 12/2019 Zhang  
D872,522 S \* 1/2020 Diener ..... D7/392.1  
D872,524 S \* 1/2020 Bo ..... D7/392.1  
D883,736 S \* 5/2020 Jacobsen ..... D7/392.1  
D885,120 S \* 5/2020 Yao ..... D7/392  
D886,517 S \* 6/2020 Bo ..... D7/392.1  
D887,775 S \* 6/2020 Bo ..... D7/392.1  
D887,776 S \* 6/2020 Bo ..... D7/392.1  
2006/0226110 A1 \* 10/2006 Choi ..... A45F 3/20  
215/228  
2014/0138395 A1 \* 5/2014 Joy ..... A47G 19/2272  
220/715  
2018/0050850 A1 \* 2/2018 Murosky ..... B65D 47/2043

\* cited by examiner

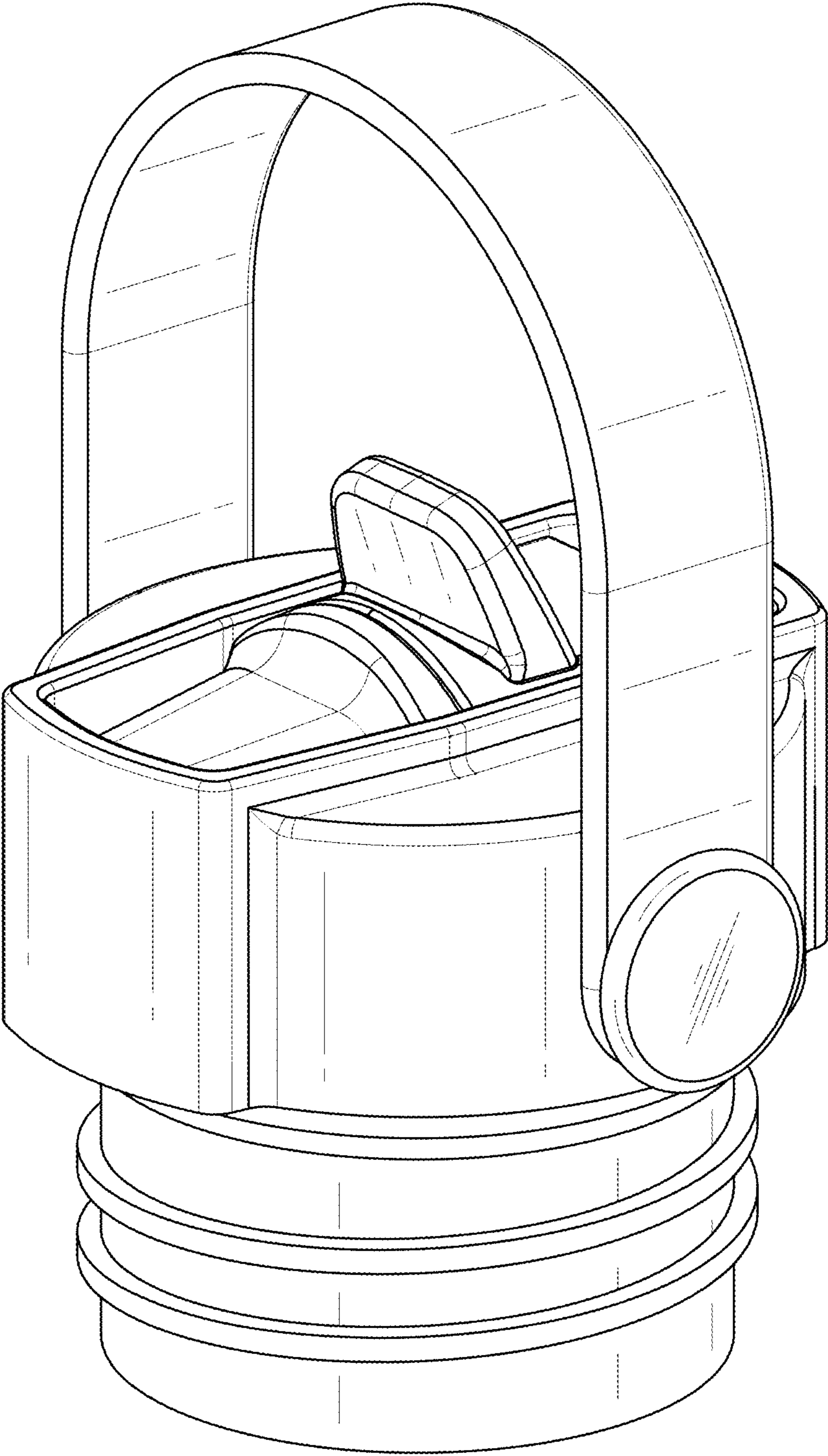


FIG. 1

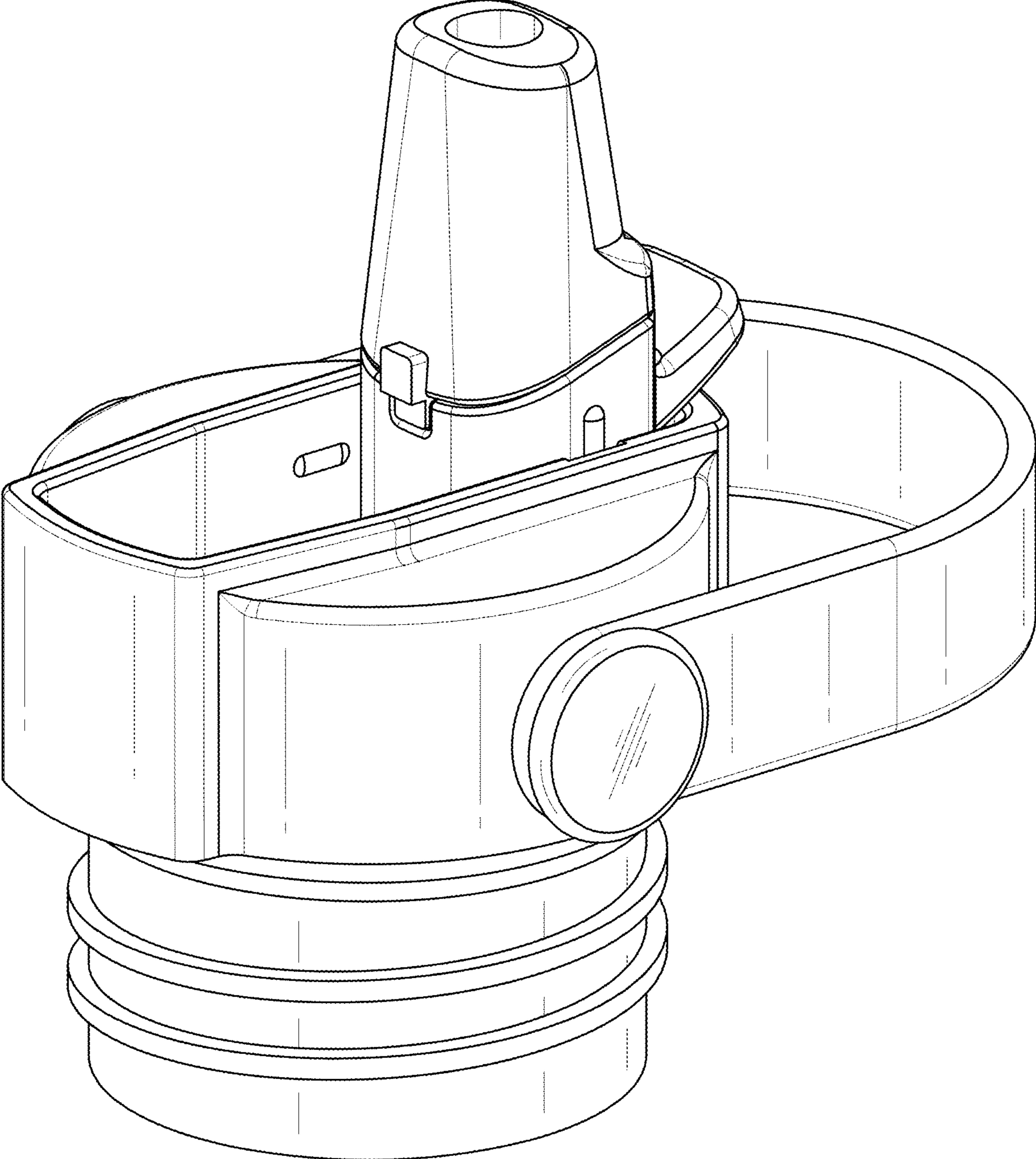


FIG. 2

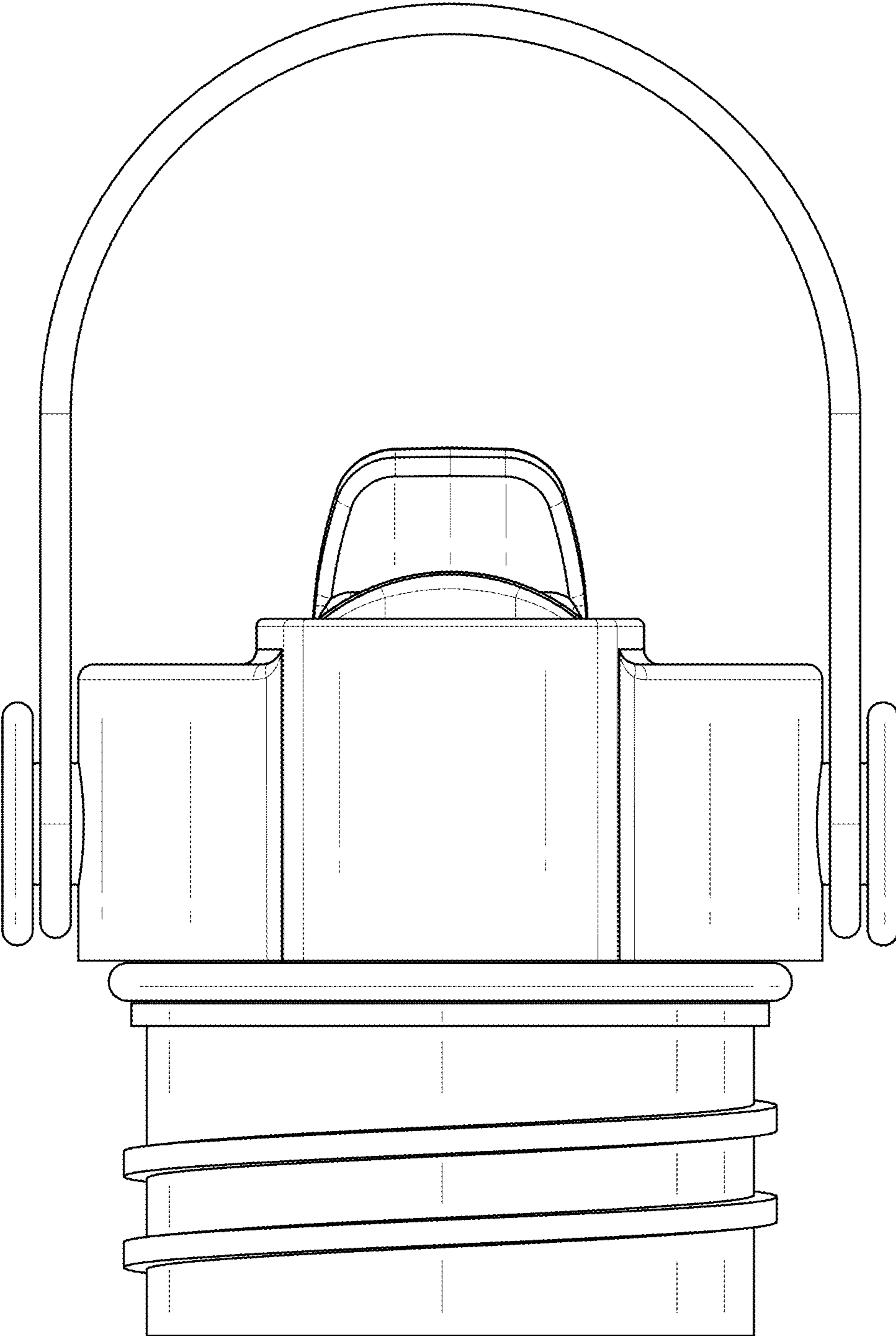


FIG. 3

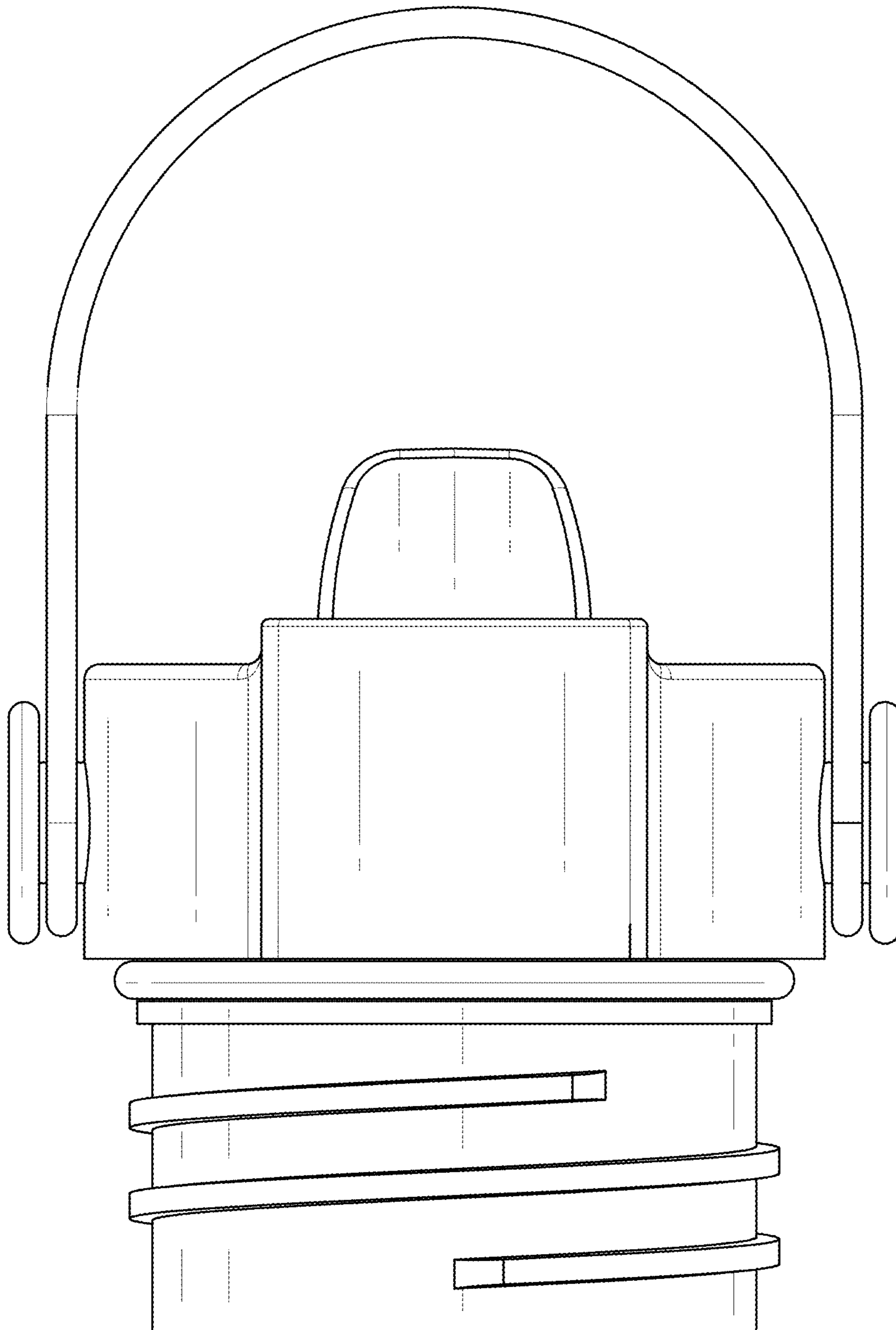


FIG. 4

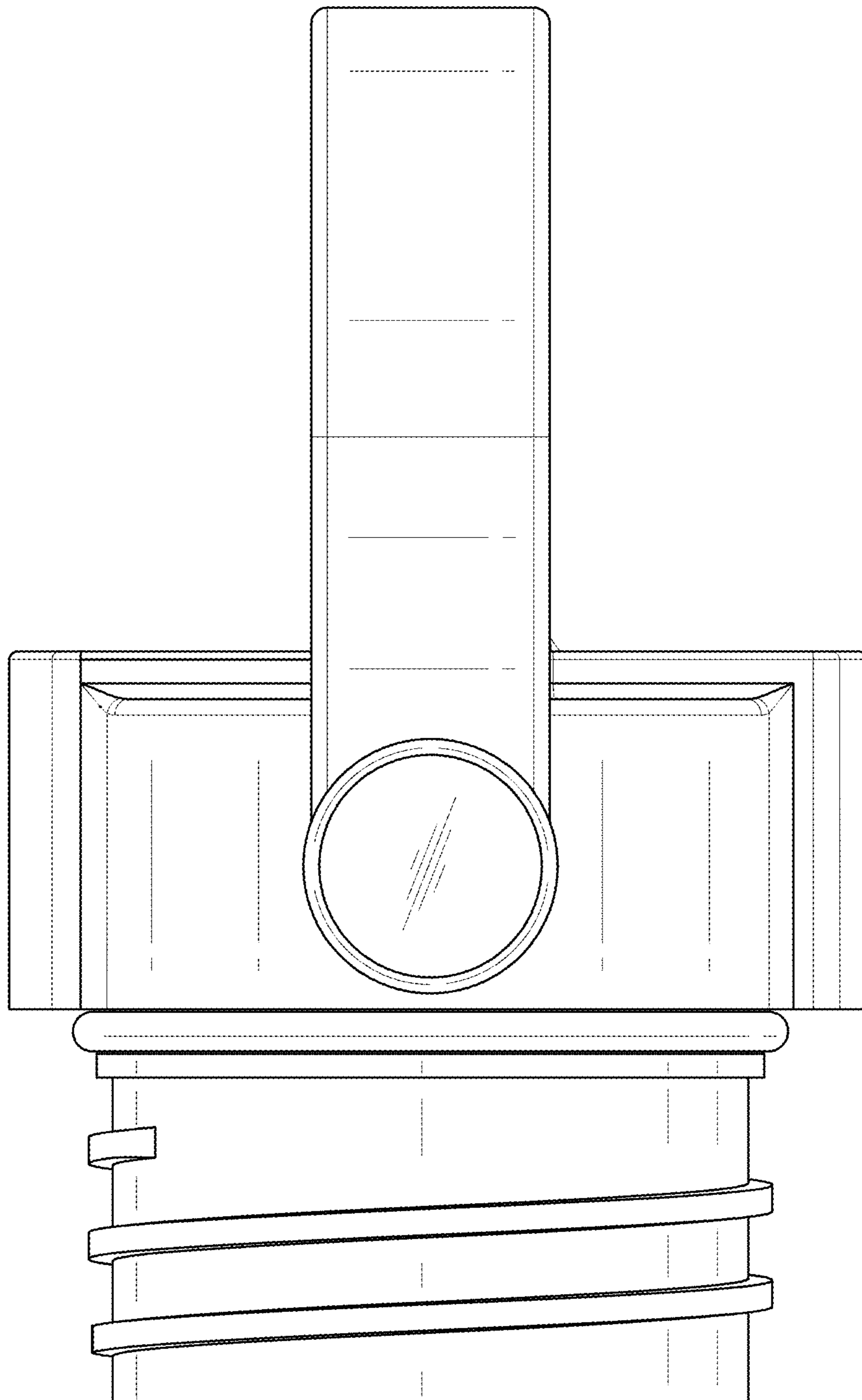


FIG. 5

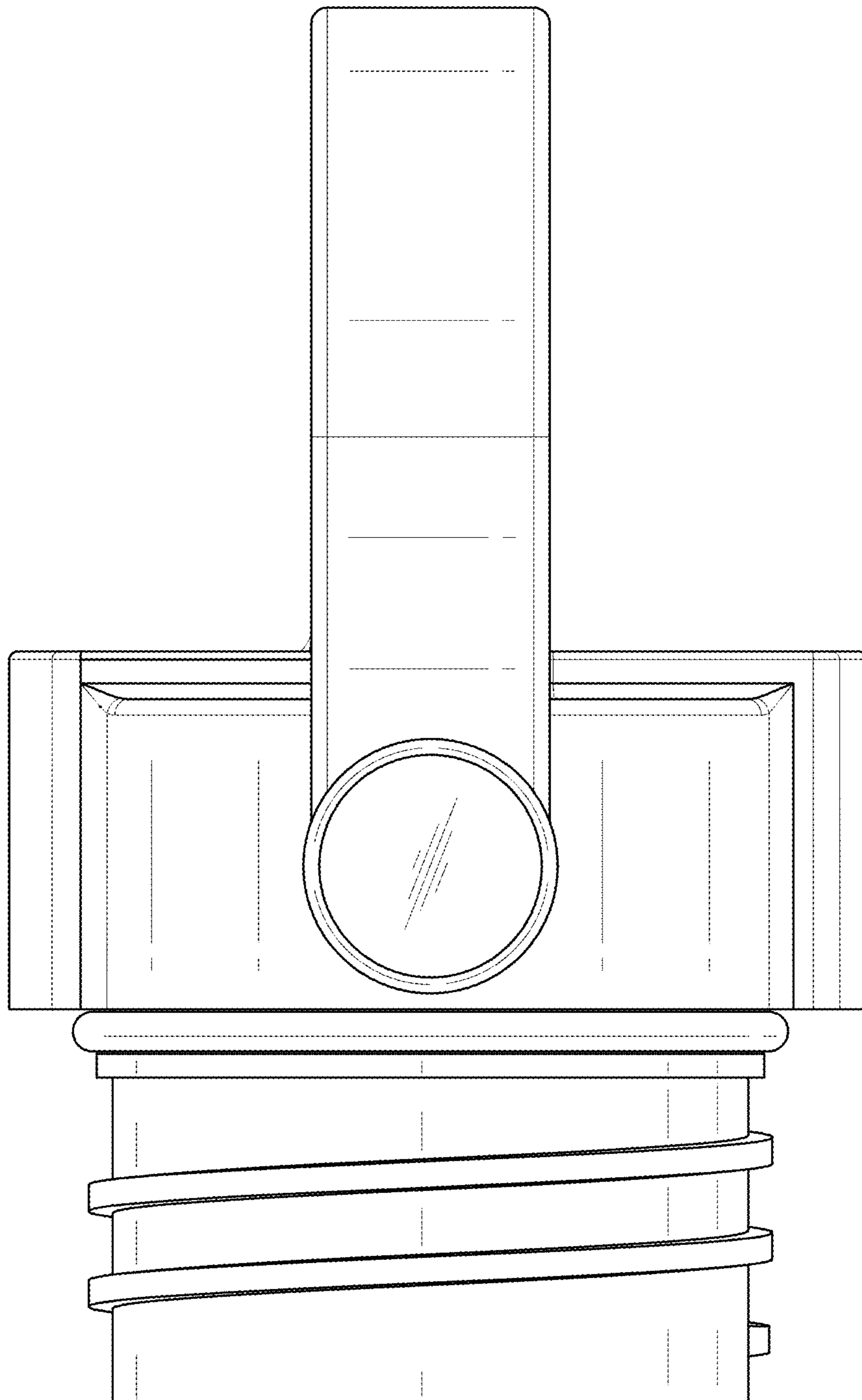


FIG. 6



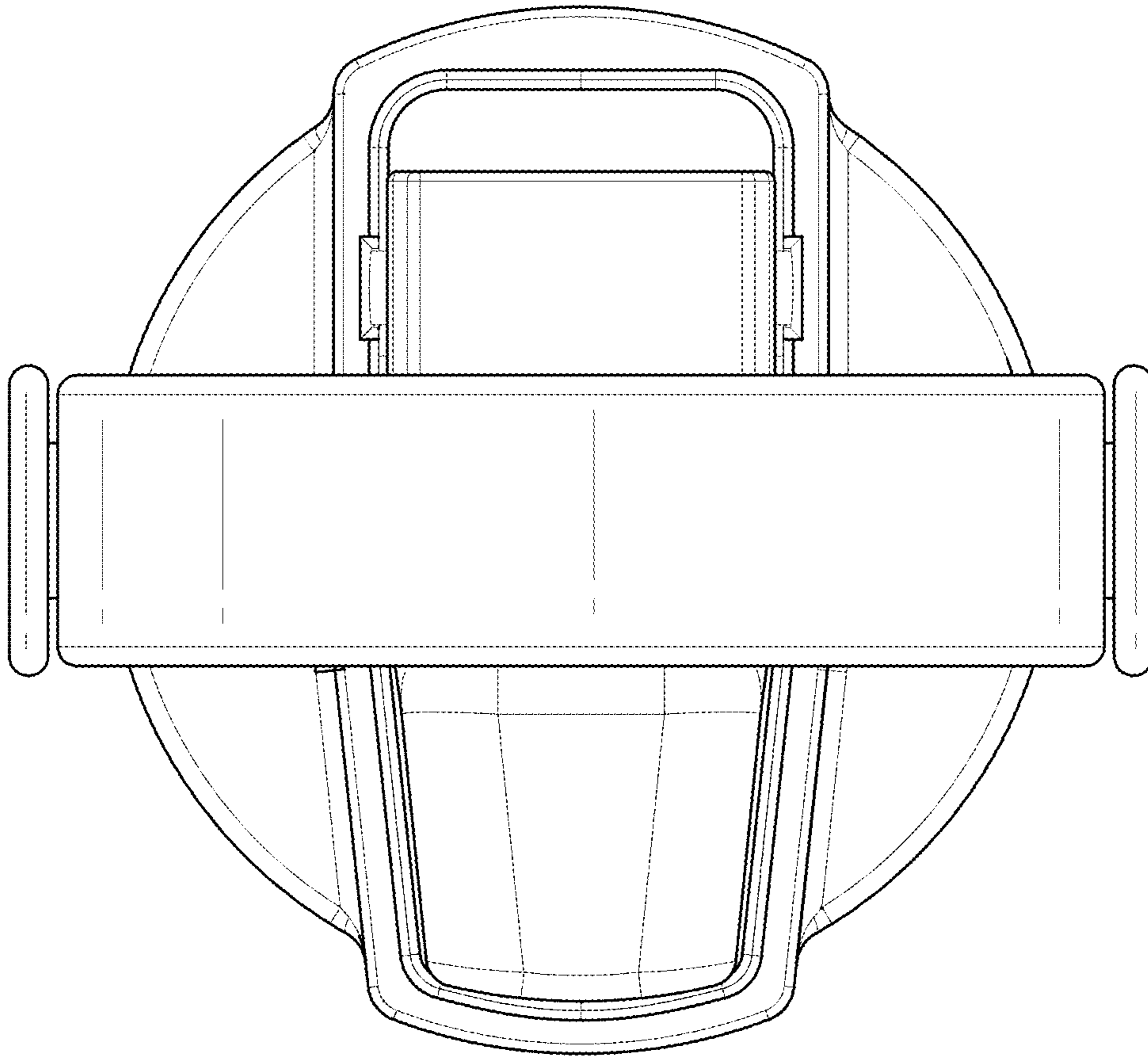


FIG. 7

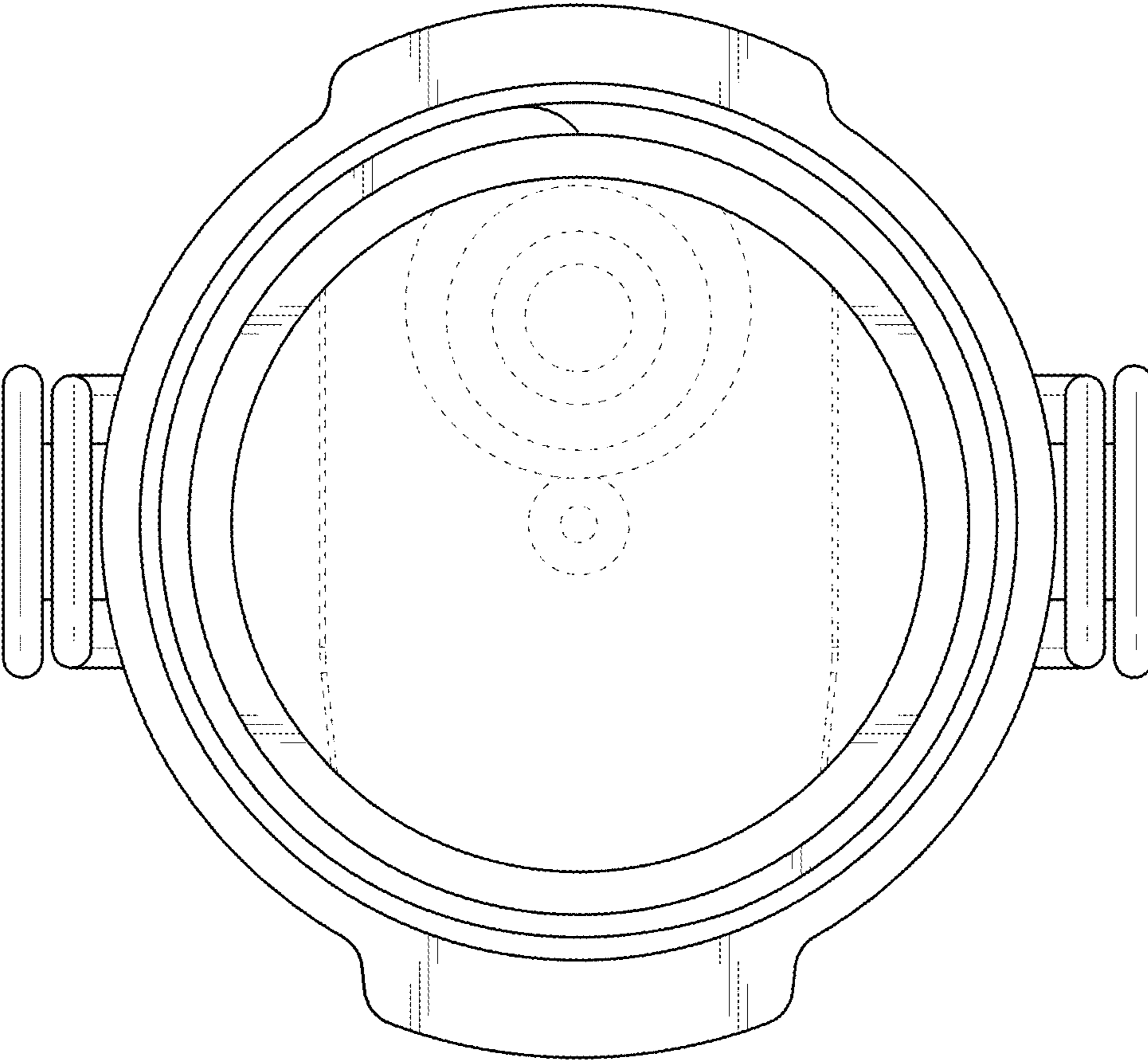


FIG. 8