



US00D899847S

(12) **United States Design Patent**  
**Murphy et al.**

(10) **Patent No.:** **US D899,847 S**

(45) **Date of Patent:** **\*\* Oct. 27, 2020**

(54) **CANISTER LID**

(71) Applicant: **CANDK Life Pty Ltd**, Cameron Park (AU)

(72) Inventors: **Christopher Mark Murphy**, Cameron Park (AU); **Kailey Allen**, Ladysmith (CA)

(73) Assignee: **CANDK Life Pty Ltd**, Cameron Park (AU)

(\*\*) Term: **15 Years**

(21) Appl. No.: **29/703,557**

(22) Filed: **Aug. 28, 2019**

(51) **LOC (12) Cl.** ..... **07-99**

(52) **U.S. Cl.**  
USPC ..... **D7/392.1**

(58) **Field of Classification Search**  
USPC ..... D3/202; D6/542, 550; D7/509-511, D7/550.1, 601, 612, 619.1, 624.1, 635, D7/354, 387, 391, 392, 392.1, 396.1, D7/396.2, 396.6; D9/716, 719, 763, 772, D9/549, 529, 503, 434, 435, 436, 438, D9/439, 440, 445, 447, 448, 452, 454, D9/455; D23/206, 208, 209, 210, 249, D23/259, 260, 261, 303; D28/91.1  
CPC .. B65D 43/0212; B65D 43/0218; B65D 1/36; B65D 51/28; B65D 2543/00046; B65D 2543/00027; B65D 2543/00092; B65D 2543/00296; B65D 2543/00351; B65D 2543/00537; B65D 2543/00731; B65D 47/2018; B65D 47/06

See application file for complete search history.

(56) **References Cited**

**U.S. PATENT DOCUMENTS**

- 1,708,280 A \* 4/1929 Roberts ..... B65D 43/0222  
217/76
- 2,352,667 A \* 7/1944 Tofanelli ..... 220/380

- D207,356 S \* 4/1967 McCormick ..... D9/439
- D227,878 S \* 7/1973 Meyer ..... D9/504
- 3,743,133 A \* 7/1973 Rathbun ..... B65D 43/021  
220/781
- D252,156 S \* 6/1979 Tabony ..... D23/260

(Continued)

**OTHER PUBLICATIONS**

Freyian 3 Piece Glass Canister Set: Site Visited Aug. 11, 2020. Available from Internet URL: <https://www.freyian.com/products/kitchen-canisters>.\*

(Continued)

*Primary Examiner* — Catherine S Posthauer

(74) *Attorney, Agent, or Firm* — Eric Karich; Karich & Associates


(57) **CLAIM**

The ornamental design for a canister lid, as shown and described.

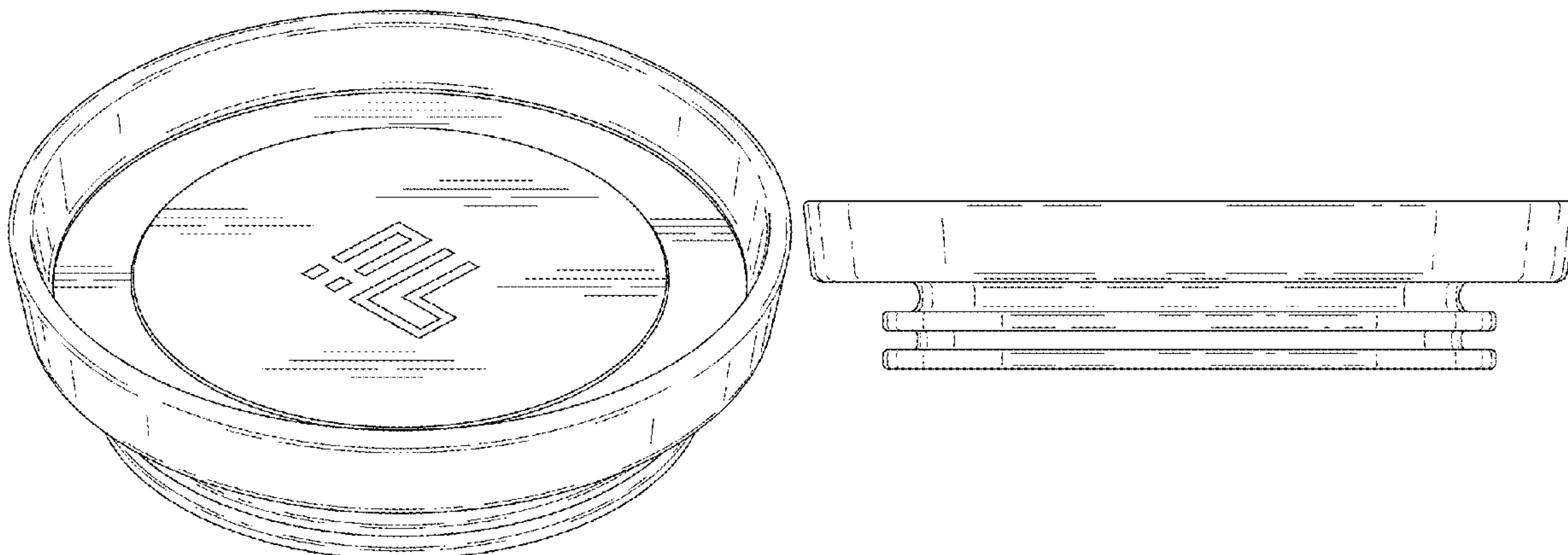
**DESCRIPTION**

FIG. 1 is a perspective view of a canister lid, showing my new design, shown in an environment of use with an exemplary canister;  
FIG. 2 is a perspective view thereof, showing the exemplary canister removed;  
FIG. 3 is a front elevational view thereof;  
FIG. 4 is a rear elevational view thereof;  
FIG. 5 is a left side elevational view thereof;  
FIG. 6 is a right side elevational view thereof;  
FIG. 7 is a top plan view thereof; and,  
FIG. 8 is a bottom plan view thereof.

The broken lines are shown for the purpose of illustrating environmental subject matter of an exemplary canister and form no part of the claimed design.

The  logo in the drawings is a registered trademark of Freyian® and forms part of the claimed design.

**1 Claim, 3 Drawing Sheets**



(56)

**References Cited**

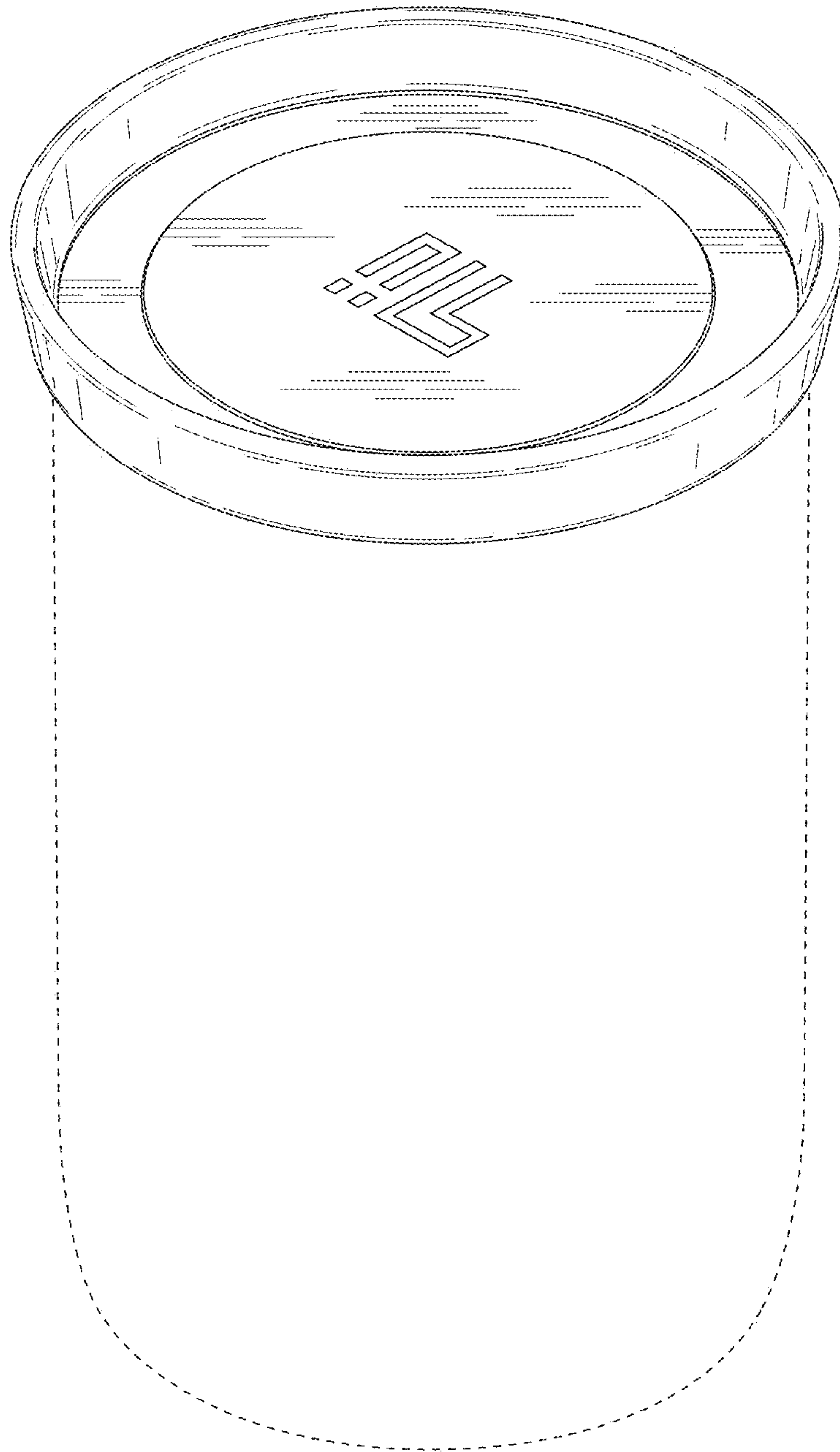
U.S. PATENT DOCUMENTS

D265,061	S	*	6/1982	Tricinella	.....	D7/391
D286,026	S	*	10/1986	Rayner	.....	D9/435
D296,523	S	*	7/1988	Corno	.....	D9/435
D297,297	S	*	8/1988	Lacey	.....	D7/354
D334,710	S	*	4/1993	Picozza	.....	D9/435
D341,779	S	*	11/1993	Lewis	.....	D9/435
D352,209	S	*	11/1994	Cousins	.....	D7/612
D355,735	S	*	2/1995	Shaffer	.....	D32/53
D358,531	S	*	5/1995	Cousins	.....	D7/612
D452,155	S	*	12/2001	Stodd	.....	D9/434
D480,304	S	*	10/2003	Stodd	.....	D9/434
D731,239	S	*	6/2015	Rothfield	.....	D7/392.1
D752,978	S	*	4/2016	Zabeleta	.....	D9/454
D767,329	S	*	9/2016	Mock	.....	D7/392.1
D812,969	S	*	3/2018	Premkumar	.....	D7/396.2
D834,879	S	*	12/2018	Krivos	.....	D7/391
D850,848	S	*	6/2019	Wachter	.....	D7/392.1
D867,677	S	*	11/2019	Danenberg	.....	D30/121
10,479,575	B2	*	11/2019	Danenberg	.....	A23K 40/30
D891,859	S	*	8/2020	Ramirez	.....	D7/392.1
2005/0127073	A1	*	6/2005	Kusuma	.....	B65D 21/086
						220/6
2019/0352059	A1	*	11/2019	Mutch	.....	A47G 19/2272

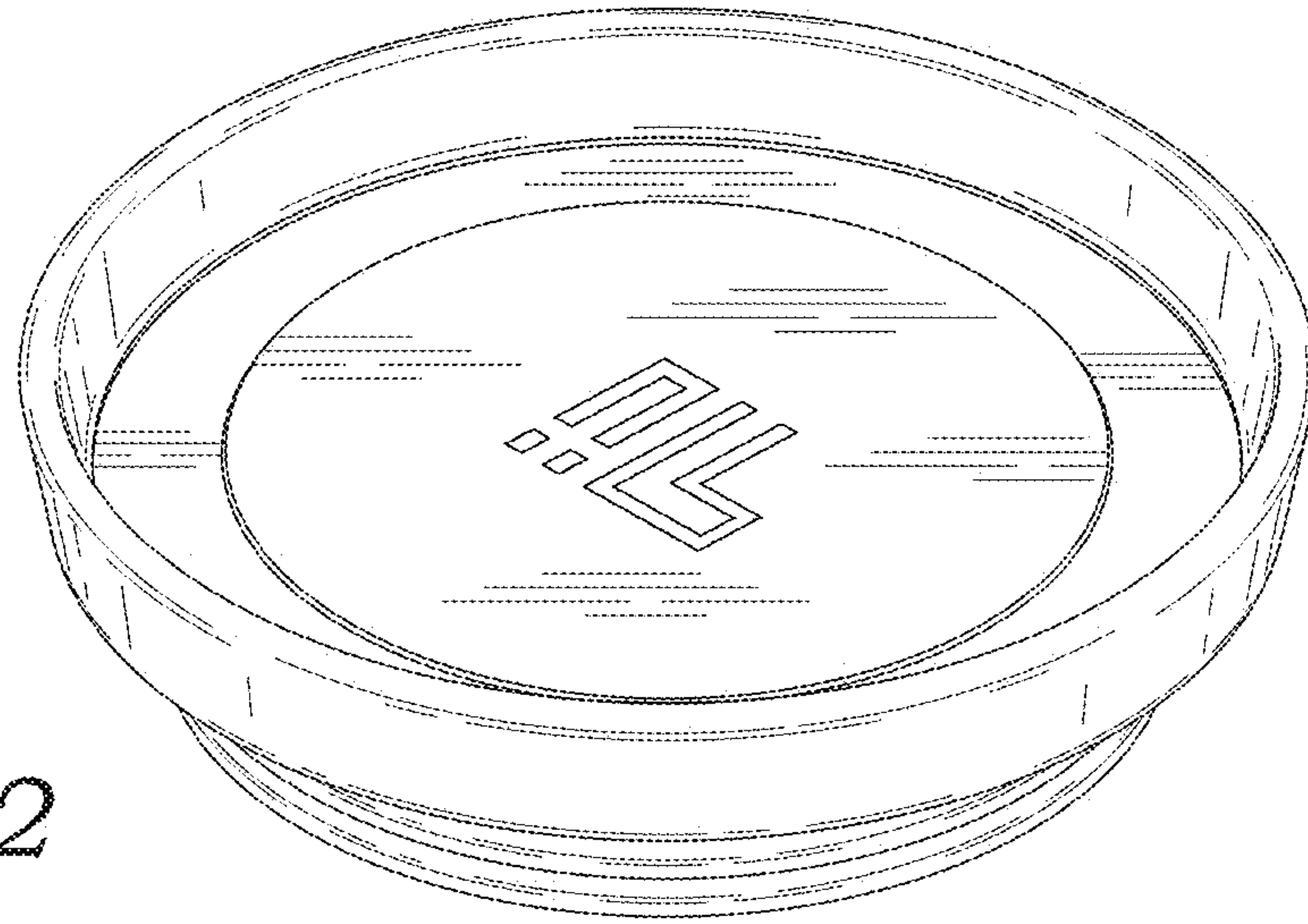
OTHER PUBLICATIONS

Glass Canister with Olivewood Lid: Announced [Nov. 26, 2016 [online]]. Site Visited [Aug. 11, 2020]. Available from Internet URL: <https://www.surlatable.com/glass-canister-with-olivewood-lid/PRO-2293397.html>.\*

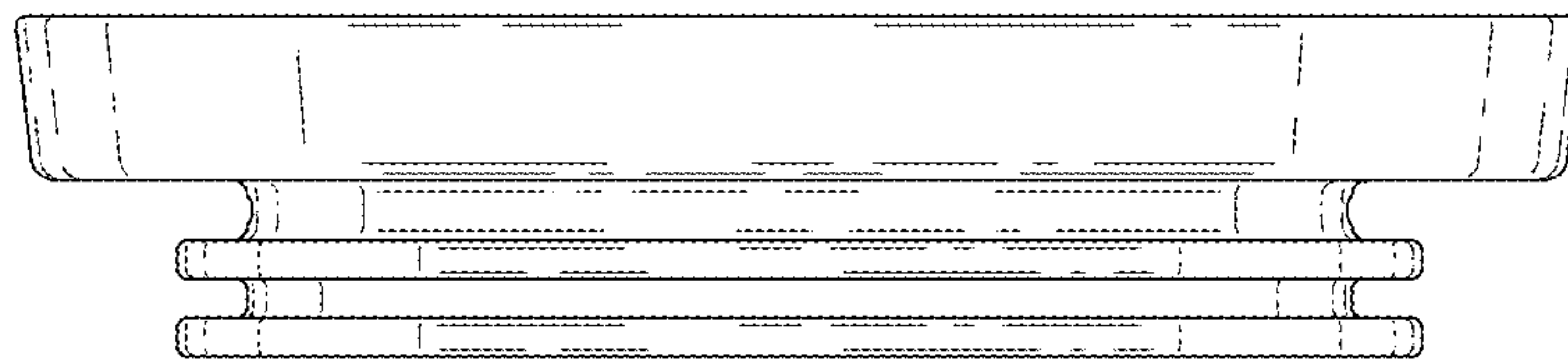
\* cited by examiner



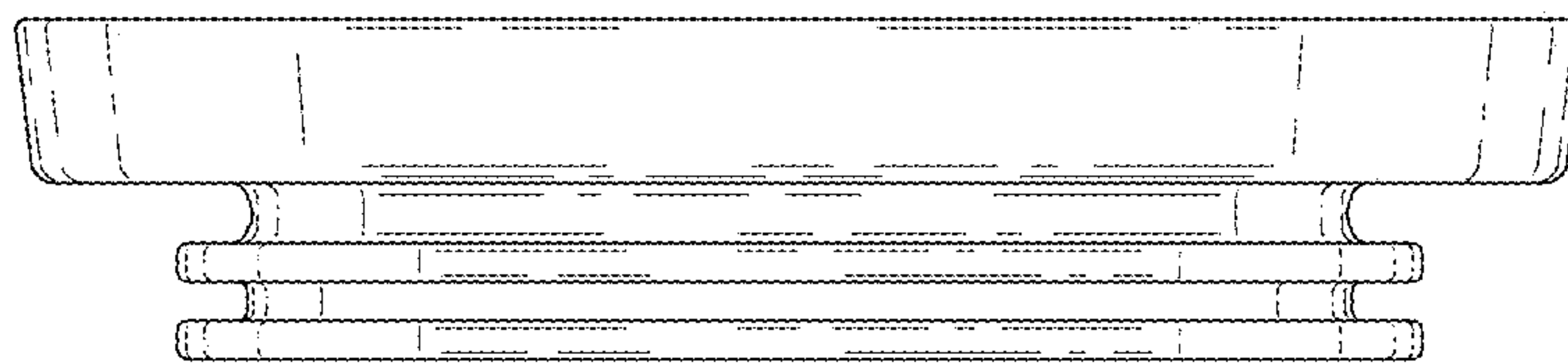
*Fig. 1*



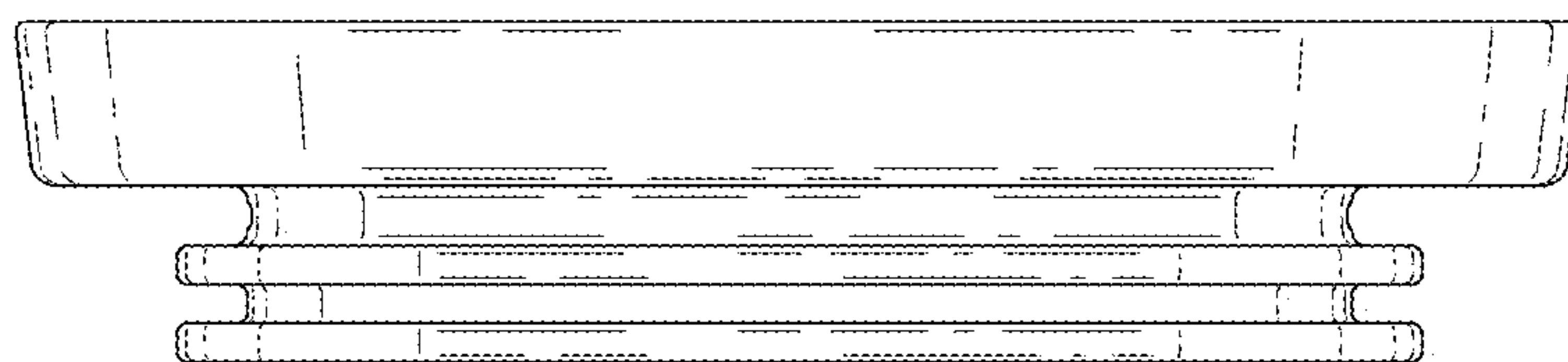
*Fig. 2*



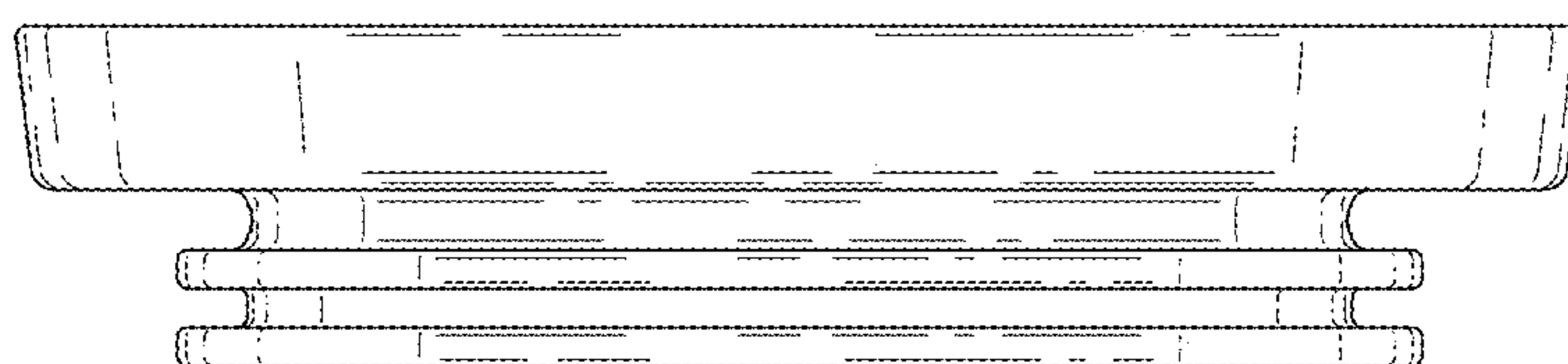
*Fig. 3*



*Fig. 4*



*Fig. 5*

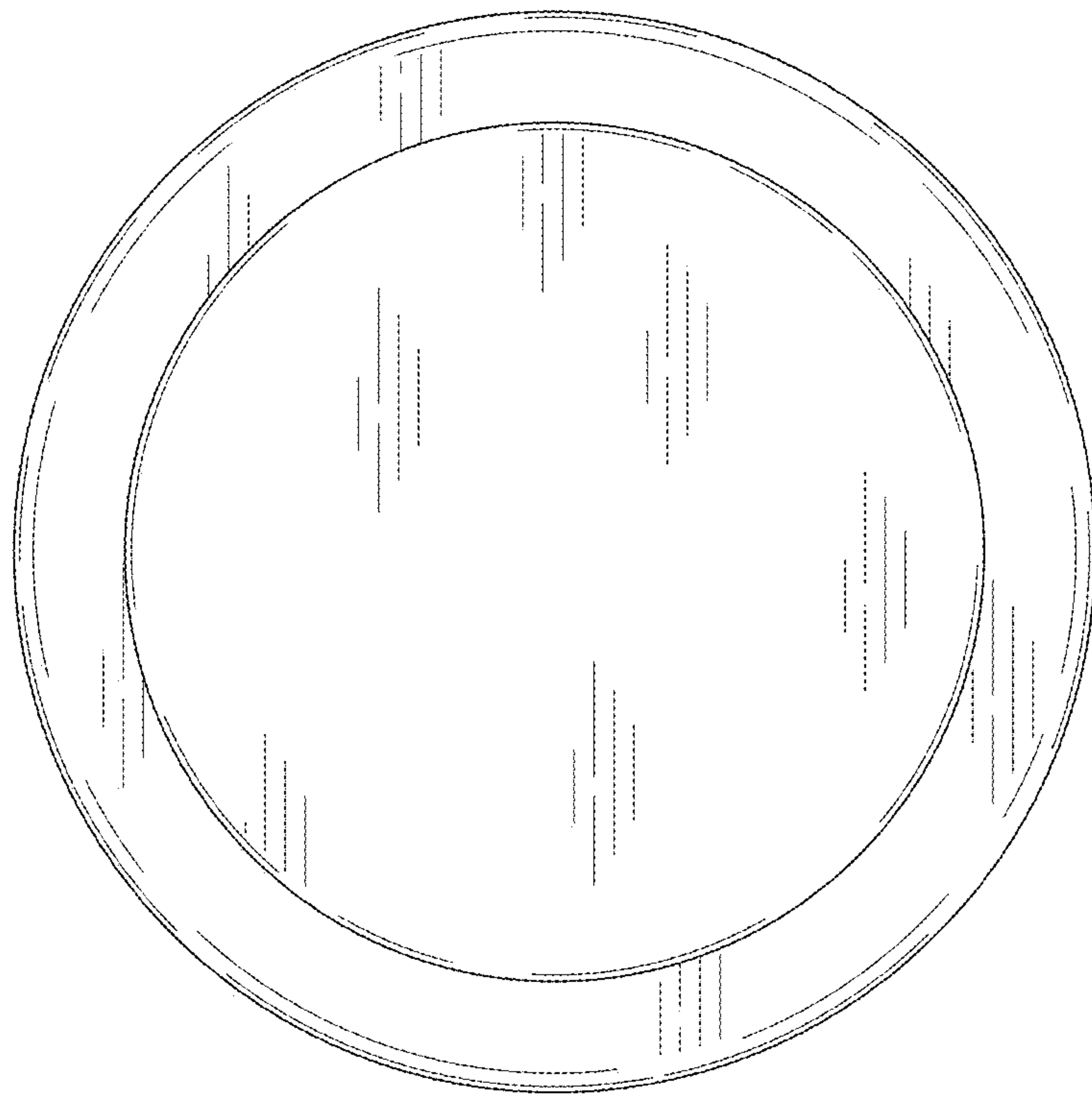


*Fig. 6*





*Fig. 7*



*Fig. 8*