



US00D899846S

(12) **United States Design Patent**  
**Wang**

(10) **Patent No.:** **US D899,846 S**

(45) **Date of Patent:** **\*\* Oct. 27, 2020**

(54) **BIG MOUTH CAP**

(71) Applicant: **Qi Wang**, Jiangxi (CN)

(72) Inventor: **Qi Wang**, Jiangxi (CN)

(73) Assignee: **SHEN ZHEN QUICK FIT PLASTIC CO., LTD**, Shen Zhen (CN)

(\*\*) Term: **15 Years**

(21) Appl. No.: **29/692,981**

(22) Filed: **May 30, 2019**

(51) **LOC (12) Cl.** ..... **07-99**

(52) **U.S. Cl.**  
USPC ..... **D7/392.1; D7/396.2; D9/447**

(58) **Field of Classification Search**  
USPC ..... D9/434, 435, 438-441, 443-454, 499, D9/503-505, 682, 685, 686; D7/300.1, D7/387, 391, 392, 392.1, 393, 394, 396.1, D7/396.2, 389, 506, 507, 510, 511, D7/514-516, 519, 533, 534, 900; D3/202, 203.2, 294, 318; D28/91, 91.1  
CPC .. A61J 1/00; A61J 1/1412; B65D 1/00; B65D 1/02; B65D 1/10; B65D 1/46; B65D 5/46; B65D 41/00; B65D 41/38; B65D 41/56; B65D 41/62; B65D 47/00; B65D 47/06; B65D 47/08; B65D 2251/00; B65D 2543/00046; B65D 2543/00092; B65D 2543/00296

See application file for complete search history.

(56) **References Cited**

**U.S. PATENT DOCUMENTS**

D355,121 S *	2/1995	Kohl	.....	D9/447
D356,499 S *	3/1995	Cautereels	.....	D9/434
D417,583 S *	12/1999	Demore	.....	D7/392
D418,364 S *	1/2000	Demore	.....	D7/392
D646,919 S *	10/2011	Nilsson	.....	B65D 47/148 D7/300.1

D682,612 S *	5/2013	Rzepecki	.....	D7/392.1
D690,989 S *	10/2013	Cetera	.....	D7/392.1
D691,849 S *	10/2013	Cetera	.....	D7/392.1
D699,996 S *	2/2014	De Leo	.....	D7/300.1
D702,489 S *	4/2014	Steel	.....	D7/392
D747,148 S *	1/2016	Beardsell	.....	D7/300.1
D747,624 S *	1/2016	Walker	.....	D7/392.1
D752,381 S *	3/2016	Wahl	.....	D7/392.1
D752,382 S *	3/2016	Ksiazek	.....	D7/392.1
D779,872 S *	2/2017	Bergstrom	.....	D7/392.1
D799,266 S *	10/2017	Schroedter	.....	D7/507
D804,304 S	12/2017	Pearson		
D817,086 S *	5/2018	Guthrie	.....	D7/396.2
D836,985 S *	1/2019	Otto	.....	D7/510
D839,663 S *	2/2019	Hu	.....	D7/391
D846,392 S *	4/2019	Markey	.....	D9/447
D852,577 S *	7/2019	Markey	.....	D7/396.2
D854,880 S *	7/2019	Meyers	.....	D7/392.1
D855,461 S	8/2019	Wu		
D856,804 S	8/2019	Levy et al.		
D864,657 S *	10/2019	Omdahl, II	.....	D7/392.1
D878,147 S *	3/2020	Berresheim	.....	D7/392.1

(Continued)

*Primary Examiner* — Wendy L Arminio

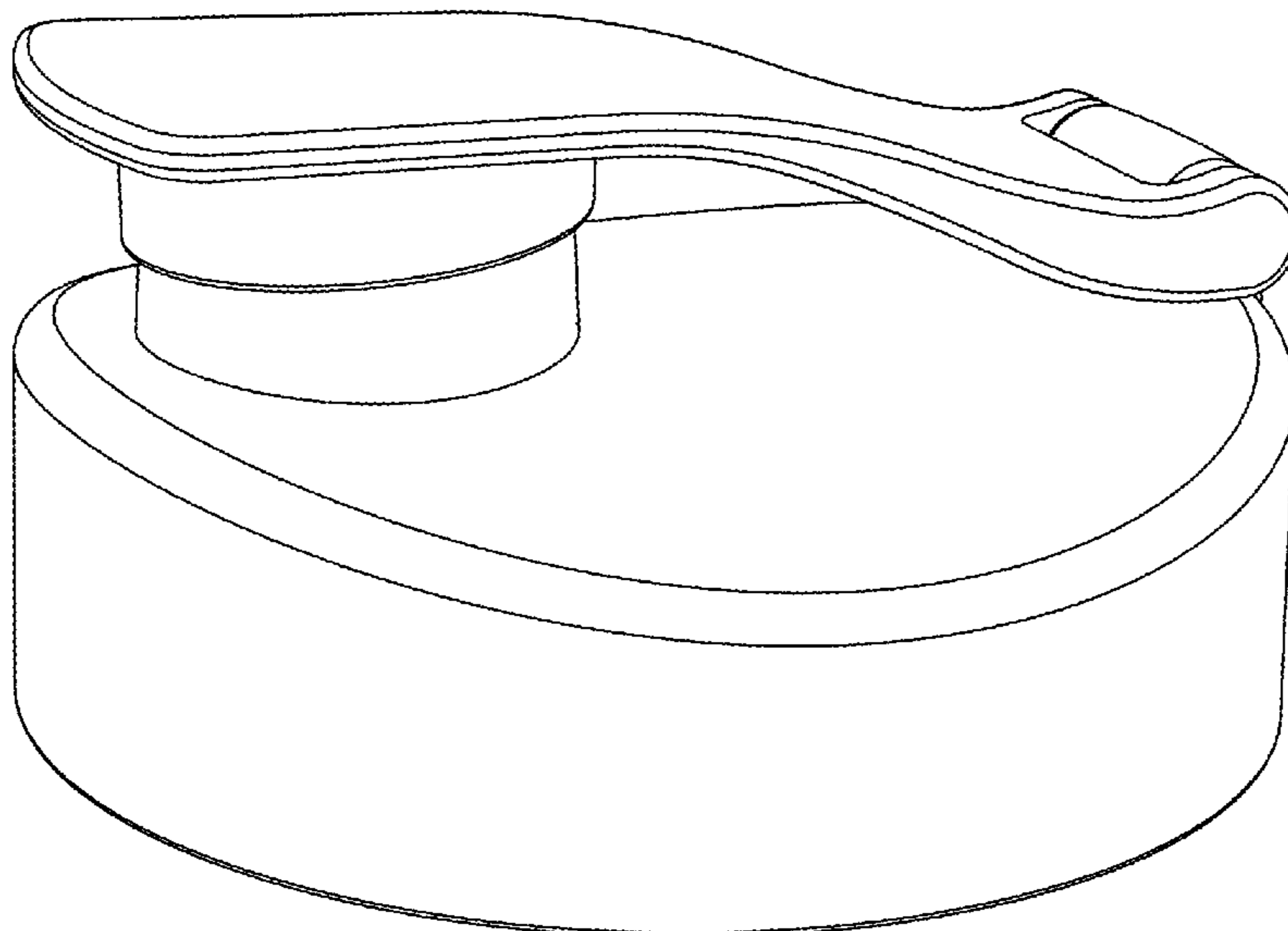
(57) **CLAIM**

The ornamental design for a big mouth cap, as shown and described.

**DESCRIPTION**

FIG. 1 is a perspective view of a big mouth cap showing my new design;  
FIG. 2 is a front elevational view thereof;  
FIG. 3 is a rear elevational view thereof;  
FIG. 4 is a right side elevational view thereof;  
FIG. 5 is a left side elevational view thereof;  
FIG. 6 is a top plan view thereof  
FIG. 7 is a bottom plan view thereof;  
FIG. 8 is a perspective view thereof; and,  
FIG. 9 is another perspective view thereof.

**1 Claim, 9 Drawing Sheets**



(56)

**References Cited**

U.S. PATENT DOCUMENTS

D880,225 S \* 4/2020 Peng ..... D7/392.1  
D881,647 S \* 4/2020 Wang ..... D7/510

\* cited by examiner

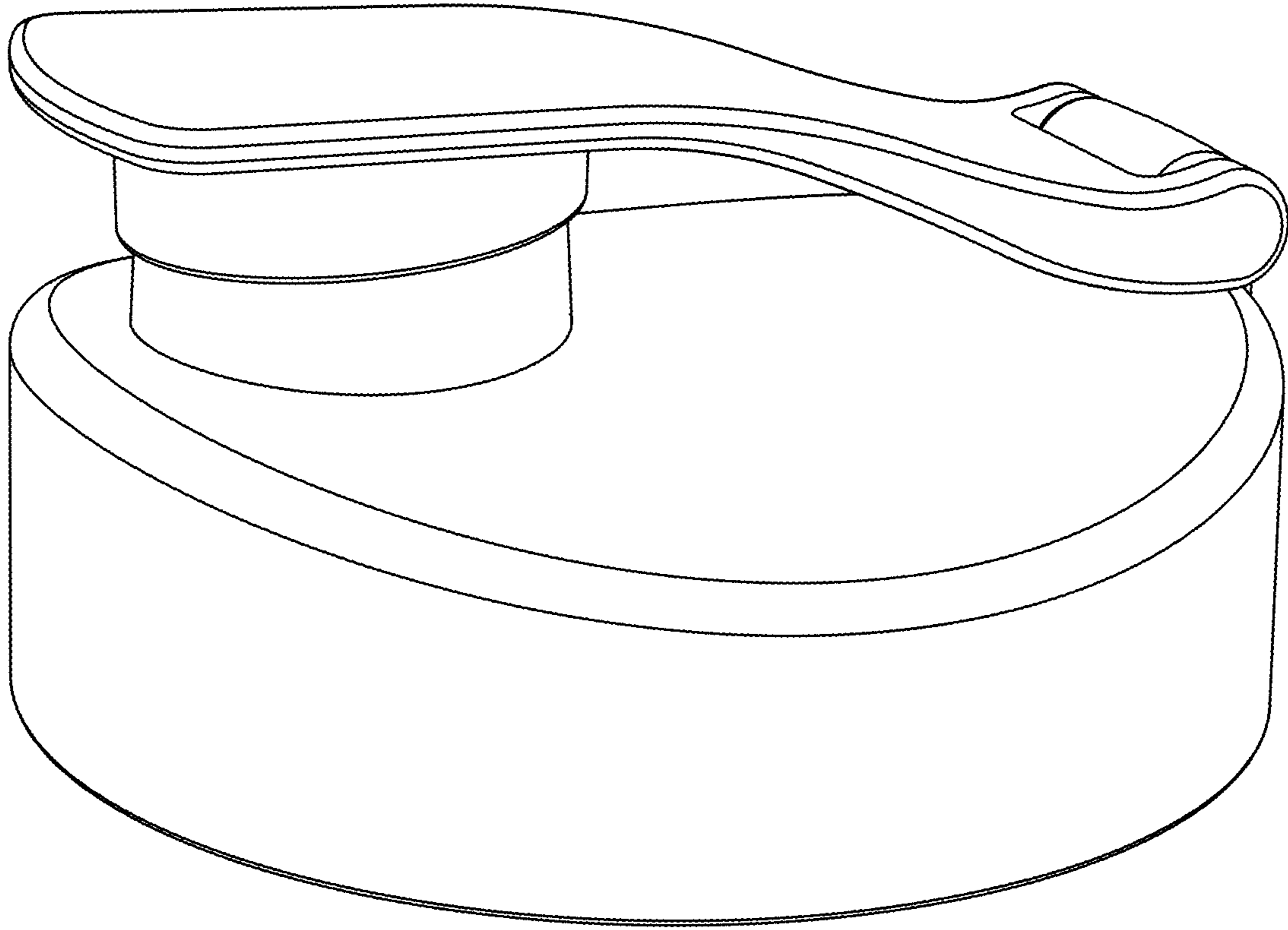


FIG. 1

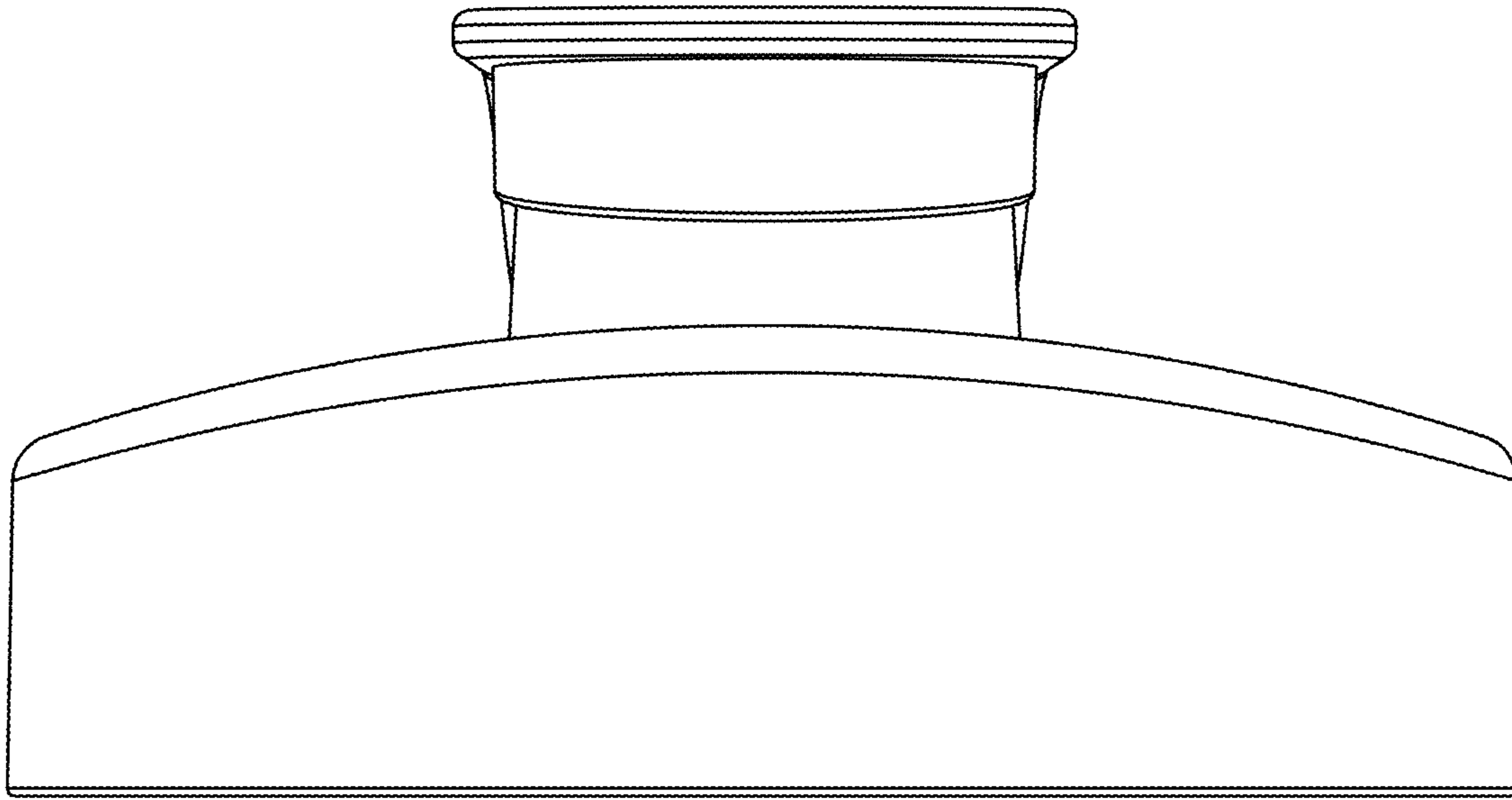


FIG. 2

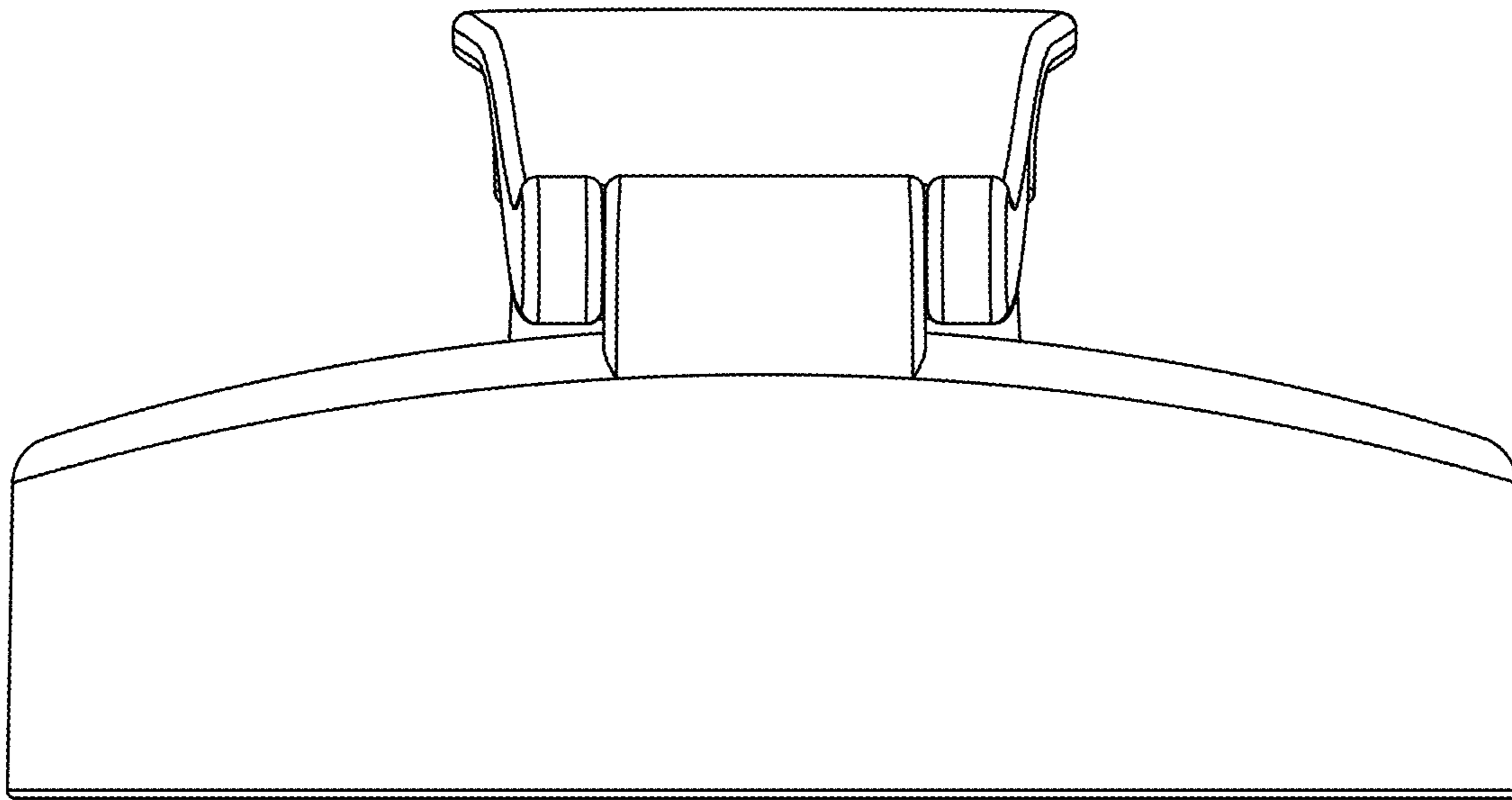


FIG. 3

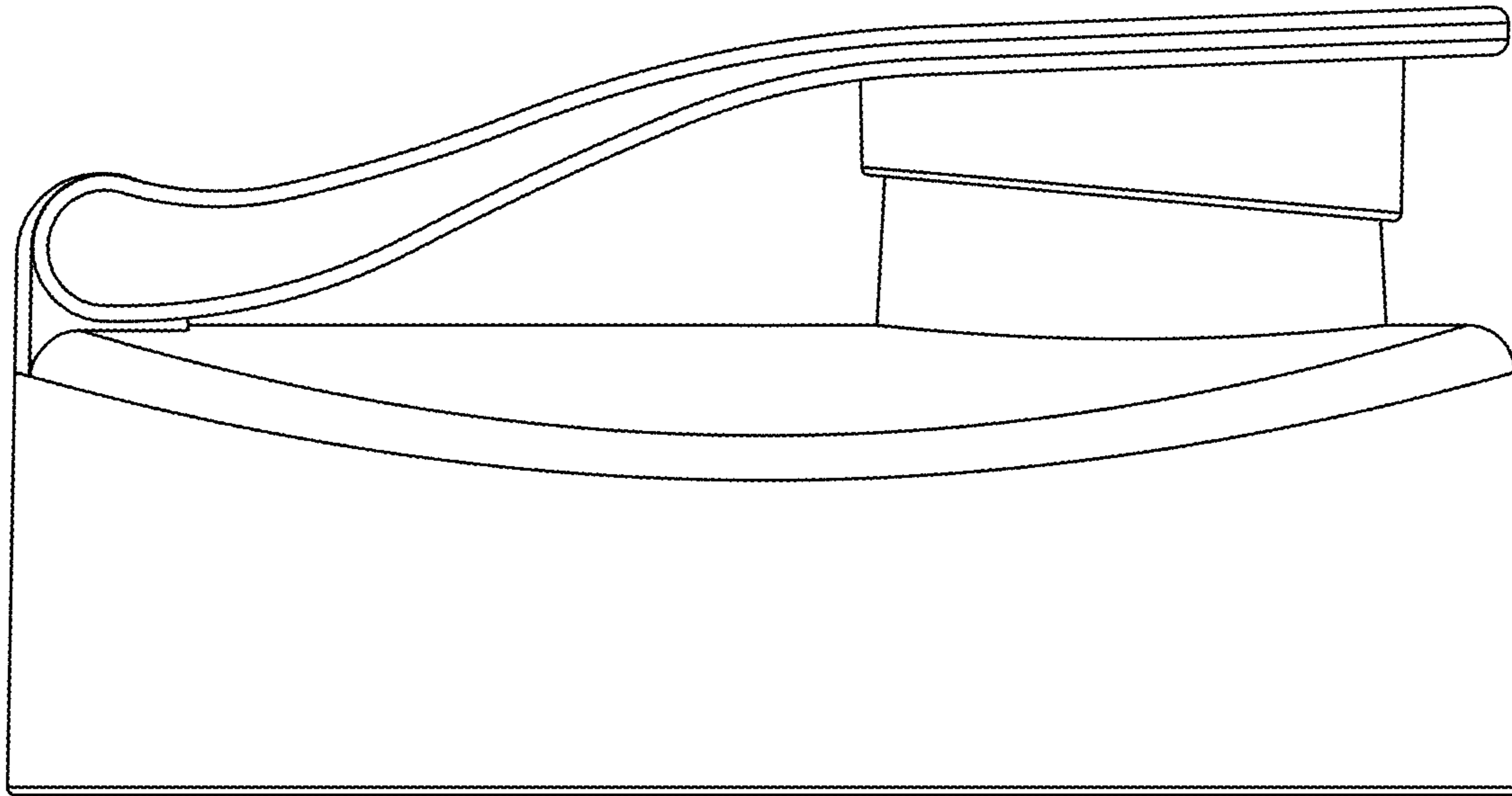


FIG. 4

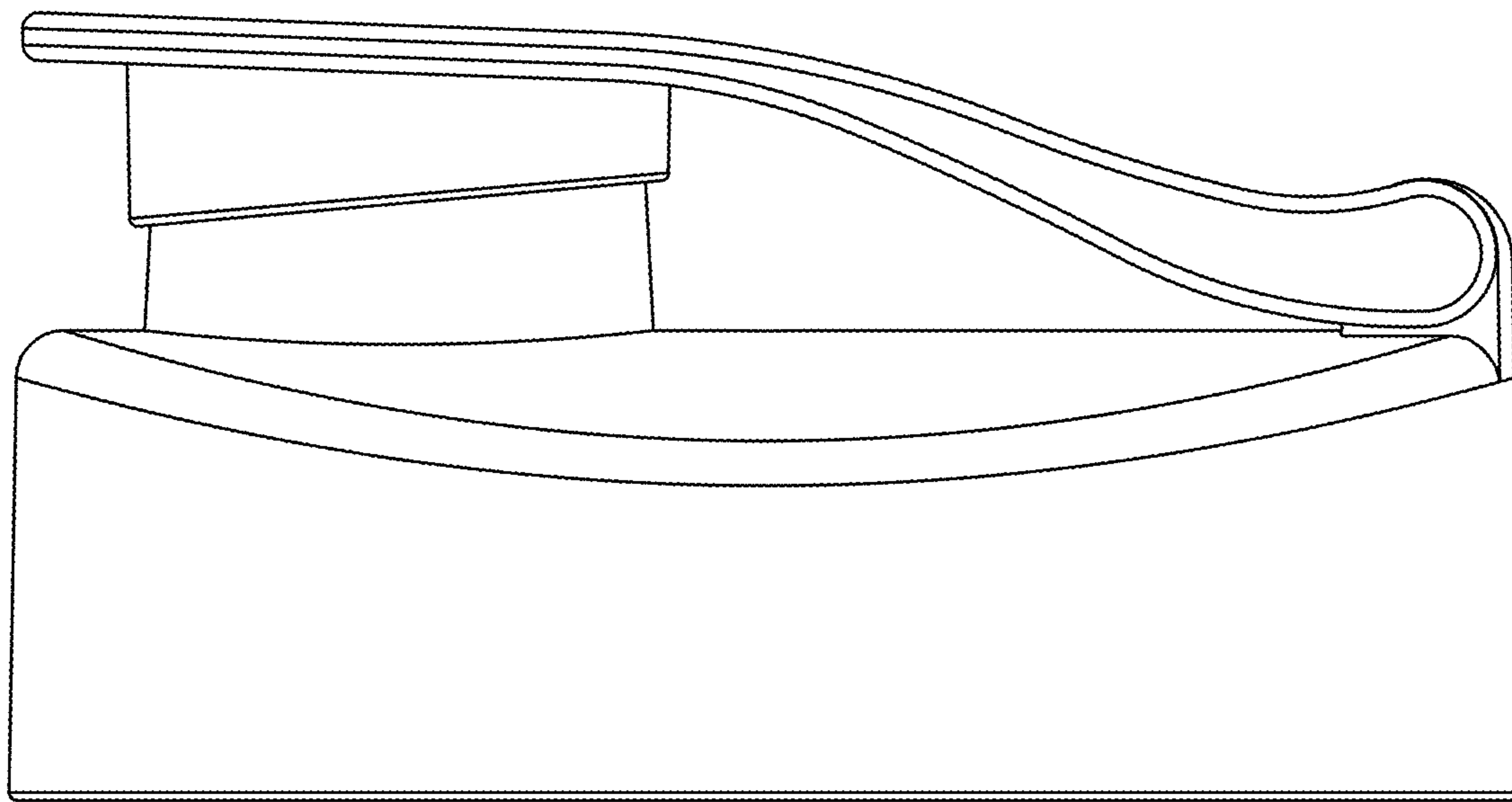


FIG. 5

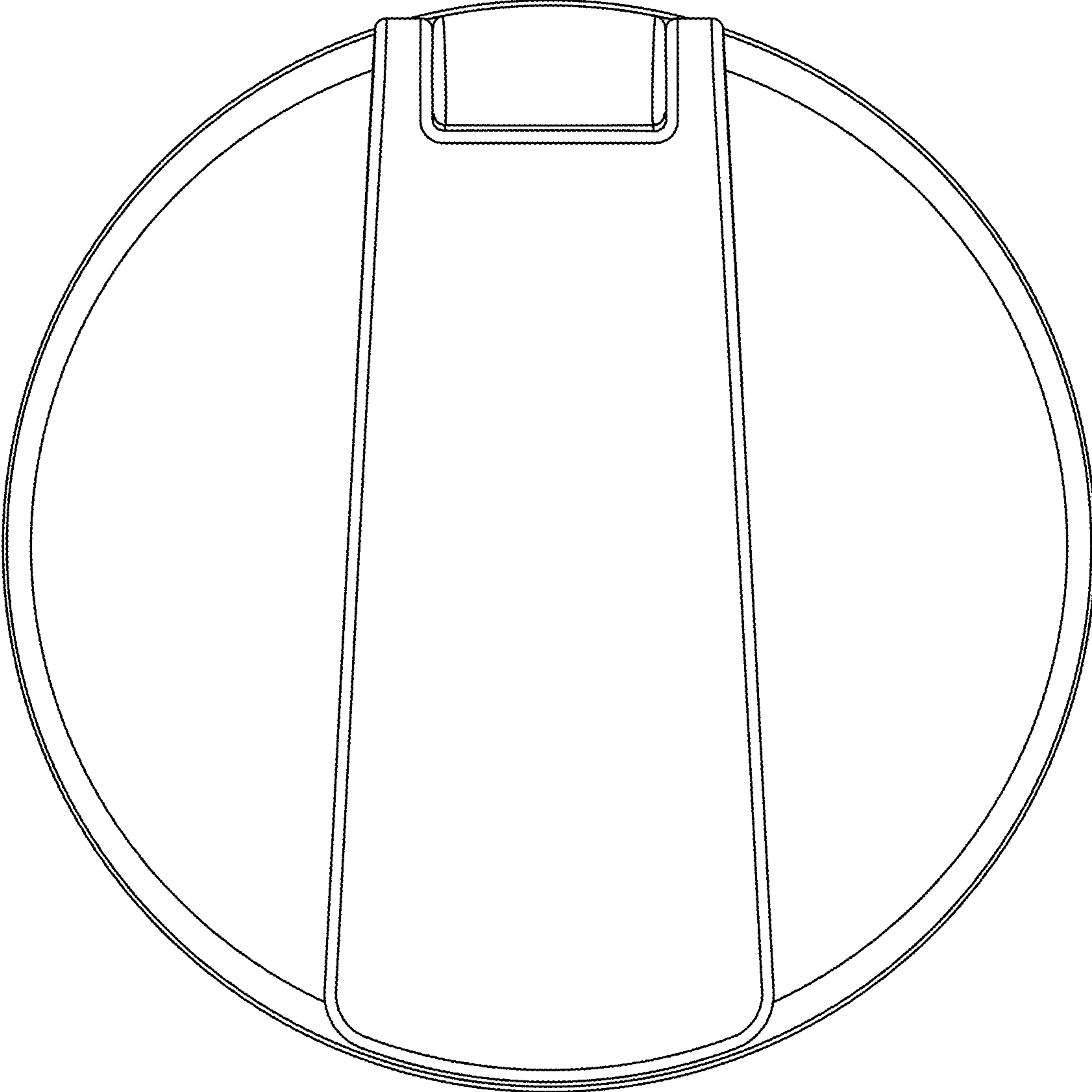


FIG. 6



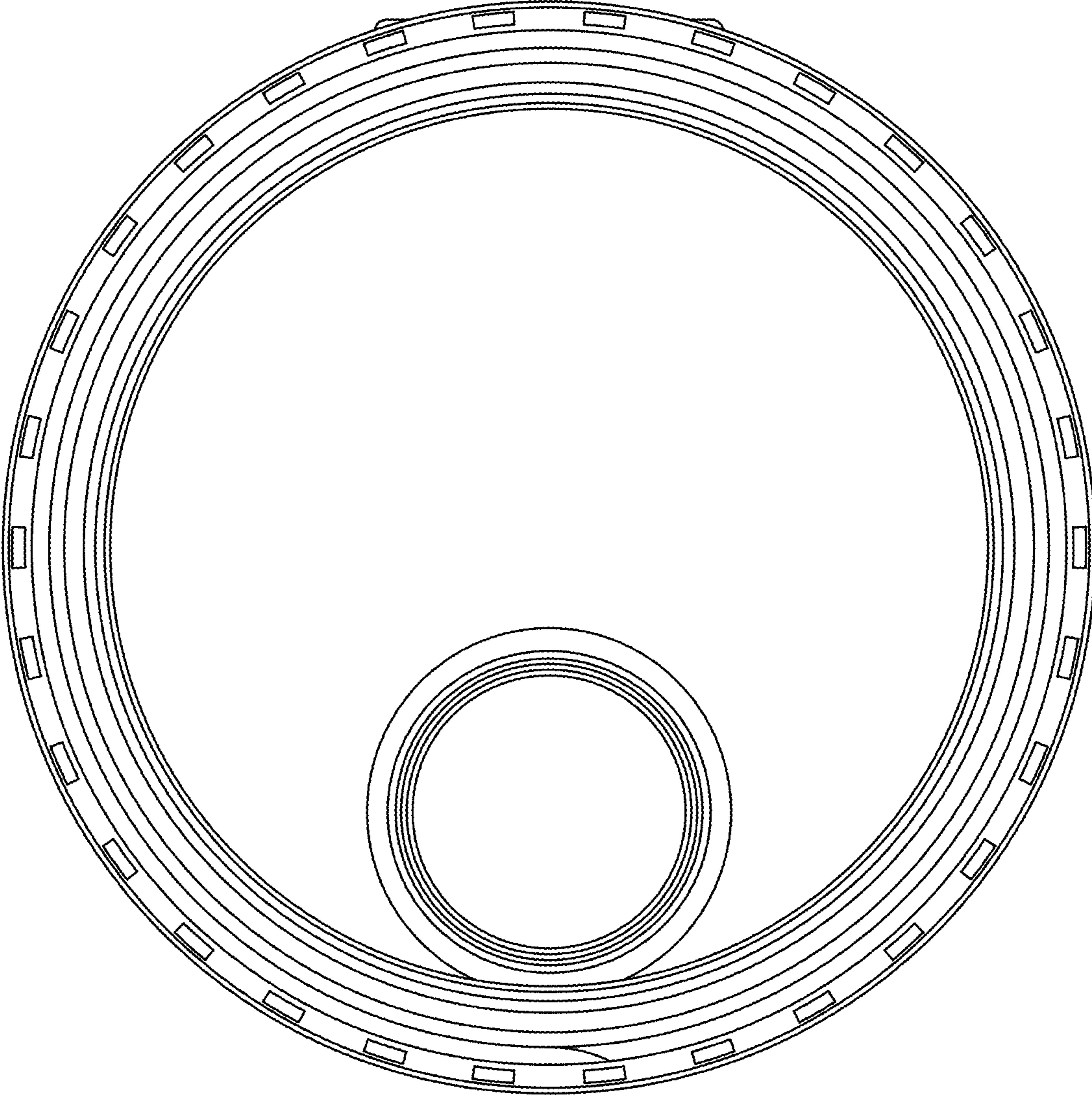


FIG. 7

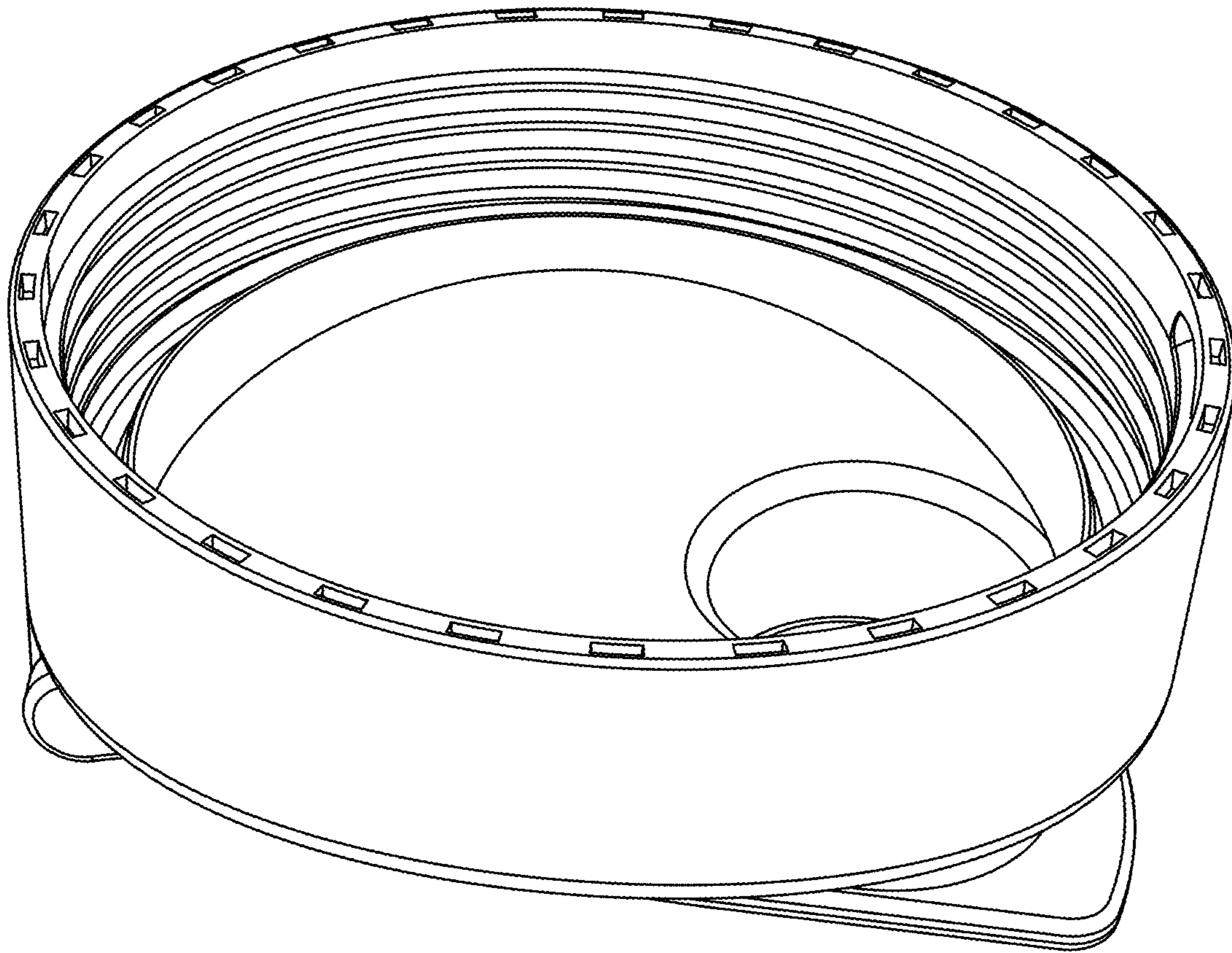


FIG. 8

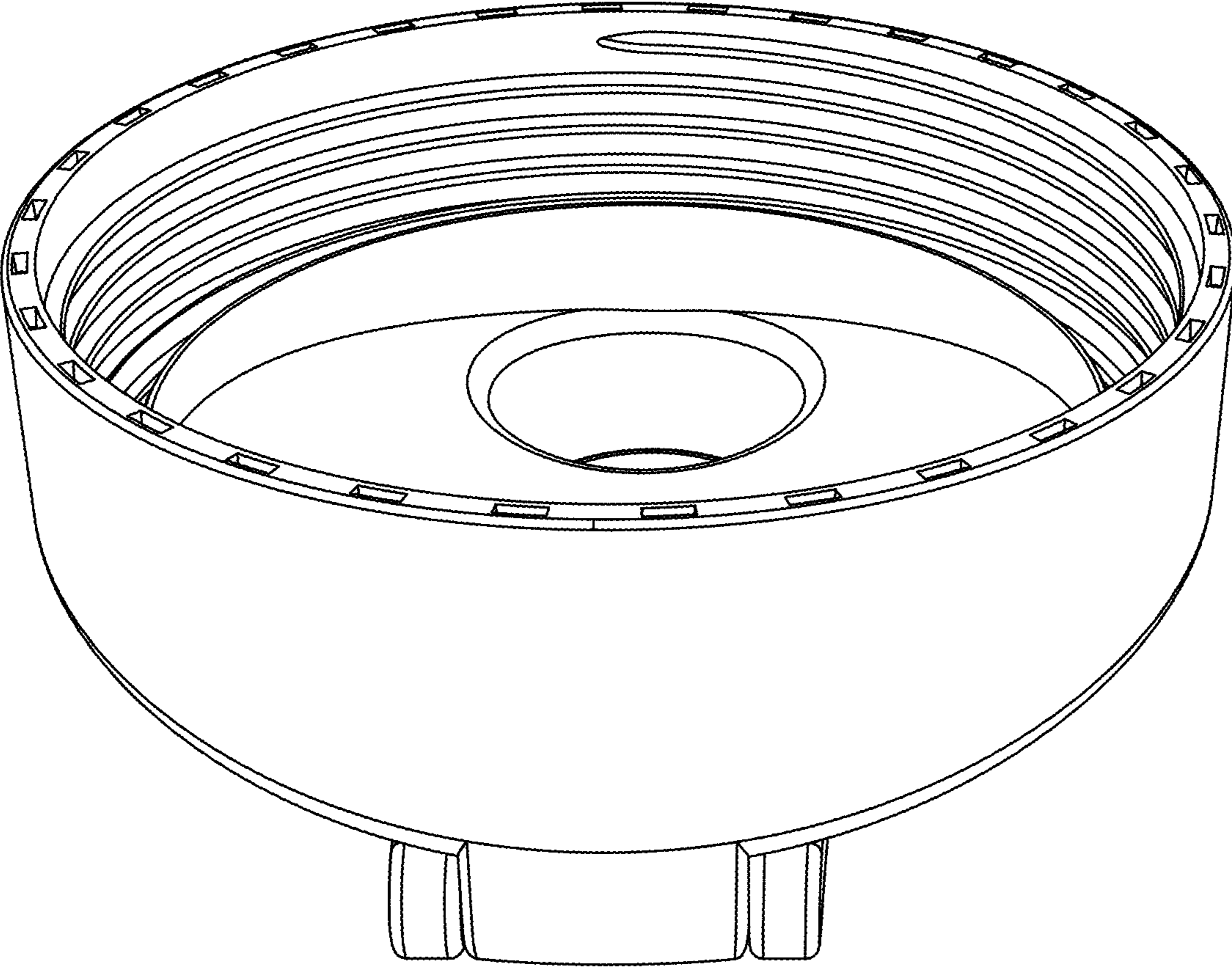


FIG. 9