



US00D899844S

(12) **United States Design Patent**  
**Ye**

(10) **Patent No.:** **US D899,844 S**

(45) **Date of Patent:** **\*\* Oct. 27, 2020**

(54) **BLENDER**

(71) Applicants: **Xiushan Ye**, Guangzhou (CN);  
**Guangzhou Shengwei Electric**  
**Manufacturing Co., Ltd.**, Guangzhou  
(CN)

(72) Inventor: **Xiushan Ye**, Guangzhou (CN)

(73) Assignees: **Xiushan Ye**, Guangzhou (CN);  
**GUANGZHOU SHENGWEI**  
**ELECTRIC MANUFACTURING**  
**CO., LTD.**, Guangzhou (CN)

(\*\*) Term: **15 Years**

(21) Appl. No.: **29/740,025**

(22) Filed: **Jun. 30, 2020**

(30) **Foreign Application Priority Data**

Feb. 5, 2020 (CN) ..... 202030047254

Jun. 5, 2020 (CN) ..... 202030279614

(51) **LOC (12) Cl.** ..... **31-00**

(52) **U.S. Cl.**  
USPC ..... **D7/386; D7/376; D7/378; D7/412**

(58) **Field of Classification Search**  
USPC ..... **D7/358, 372, 376-386, 412-413, 602,**  
**D7/629, 665-666, 669, 679, 693-694**  
(Continued)

(56) **References Cited**

**U.S. PATENT DOCUMENTS**

3,176,968 A \* 4/1965 Appleton ..... A47J 43/046  
366/146

D242,208 S \* 11/1976 Madl ..... D7/386

D642,857 S \* 8/2011 Bodum ..... D7/378

D647,357 S 10/2011 Audette et al.

D704,502 S 5/2014 Coakley et al.

D707,079 S \* 6/2014 Blaise ..... D7/384

(Continued)

**OTHER PUBLICATIONS**

Robot Coupe R101 B CLR Combination Food Processor Date First  
Available May 18, 2012 on Amazon.com (<https://www.amazon.com/dp/B0071WU3QG/>) (Year: 2012).\*

*Primary Examiner* — Ricky Pham

(57) **CLAIM**

The ornamental design for a blender, as shown and  
described.

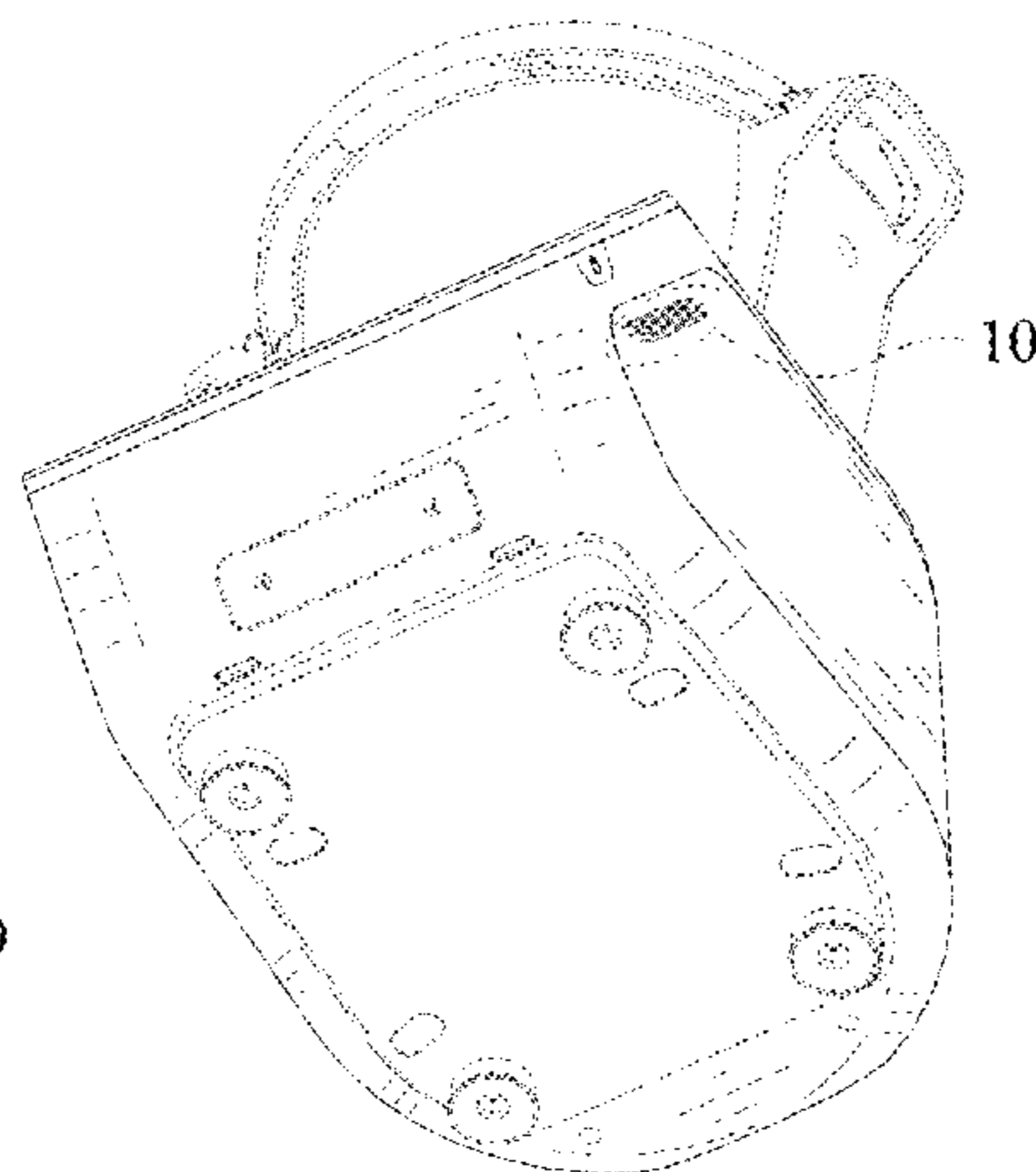
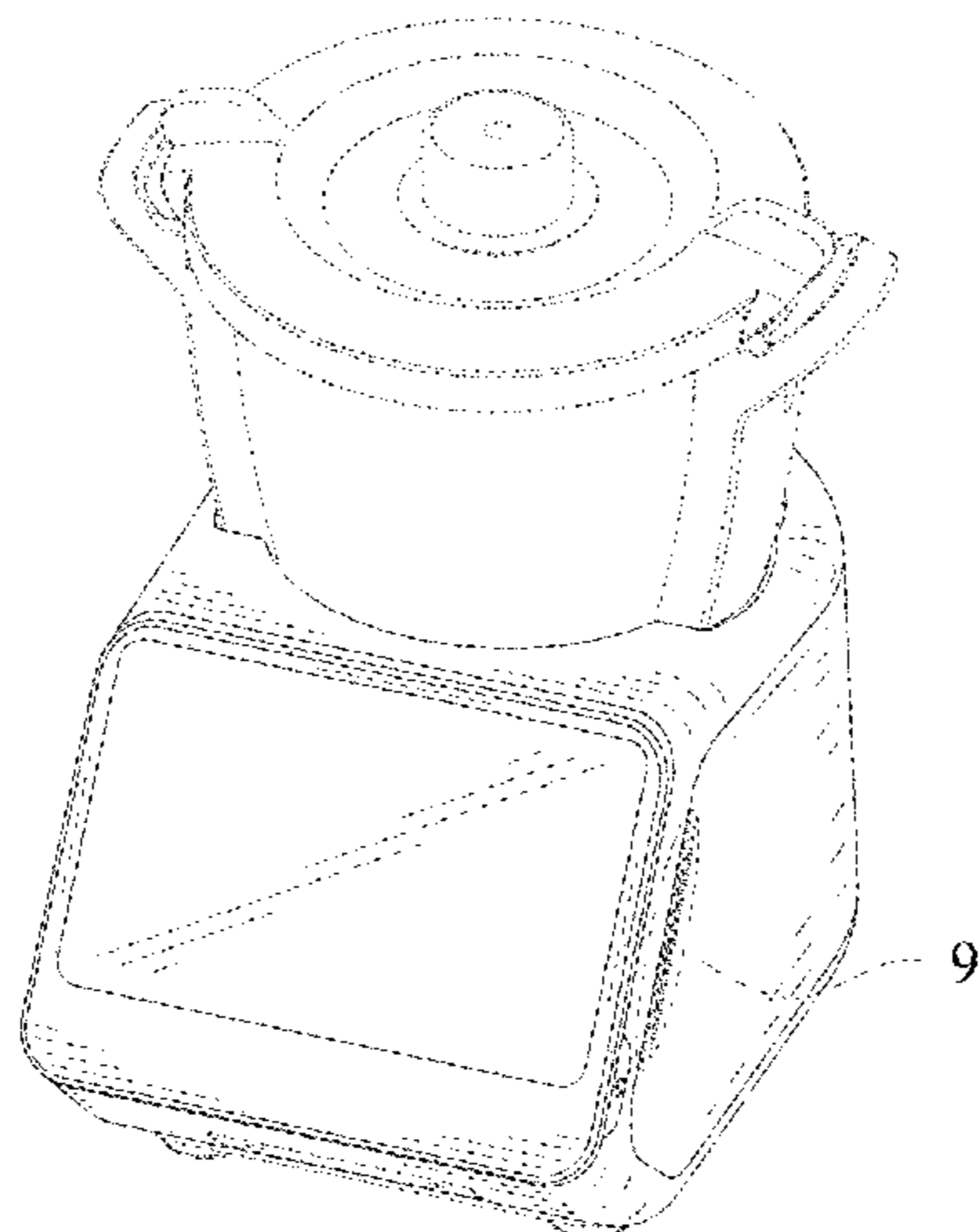
**DESCRIPTION**

FIG. 1 is a perspective view of a blender showing my design;  
FIG. 2 is another perspective view thereof;  
FIG. 3 is a front elevational view thereof;  
FIG. 4 is a rear elevational view thereof;  
FIG. 5 is a left side elevational view thereof;  
FIG. 6 is a right side elevational view thereof;  
FIG. 7 is a top plan view thereof;  
FIG. 8 is a bottom plan view thereof;  
FIG. 9 is an enlarged view of area 9 circumscribed in FIG.  
1;  
FIG. 10 is an enlarged view of area 10 circumscribed in FIG.  
2;  
FIG. 11 is an enlarged view of area 11 circumscribed in FIG.  
5;  
FIG. 12 is an enlarged view of area 12 circumscribed in FIG.  
5;  
FIG. 13 is an enlarged view of area 13 circumscribed in FIG.  
6;  
FIG. 14 is an enlarged view of area 14 circumscribed in FIG.  
6;  
FIG. 15 is an enlarged view of area 15 circumscribed in FIG.  
7;  
FIG. 16 is an enlarged view of area 16 circumscribed in FIG.  
7; and,  
FIG. 17 is an enlarged view of area 17 circumscribed in FIG.  
7.

The long dash-short dash broken lines in the drawings depict  
the boundaries of the enlarged views and form no part of the  
claimed design.

The short dash broken lines in the drawings depict portions  
of the blender that form no part of the claimed design.

**1 Claim, 17 Drawing Sheets**



(58) **Field of Classification Search**

CPC .... A21C 1/02; A21C 1/04; A23N 1/00; A23N  
1/02; A47J 43/04; A47J 43/25; A47J  
43/27; A47J 43/042; A47J 43/044; A47J  
43/046; A47J 43/075; A47J 43/0722;  
A47J 43/0727; B01F 3/00; B01F 3/0807;  
B01F 3/0853; B01F 13/0059; B01F  
13/0064; B02C 1/08; B02C 2/04; B02C  
4/42; B02C 4/142; B02C 4/143; B02C  
4/423; B02C 13/1835; B28C 5/10; B28C  
5/12; B28C 5/14; B28C 5/16

See application file for complete search history.

(56) **References Cited**

U.S. PATENT DOCUMENTS

D730,683	S	6/2015	Tu	
D765,465	S *	9/2016	Du	D7/386
D766,649	S *	9/2016	Suzuki	D7/386
D783,340	S *	4/2017	Palermo	D7/386
D811,804	S	3/2018	Smith	
D812,416	S	3/2018	Carlson	
D817,082	S *	5/2018	Lee	D7/386
D832,029	S *	10/2018	Gee, II	D7/386
D846,338	S *	4/2019	Smith	D7/378
D878,143	S *	3/2020	Ding	D7/358
D896,022	S *	9/2020	Ye	D7/384
D896,023	S *	9/2020	Ye	D7/384

\* cited by examiner

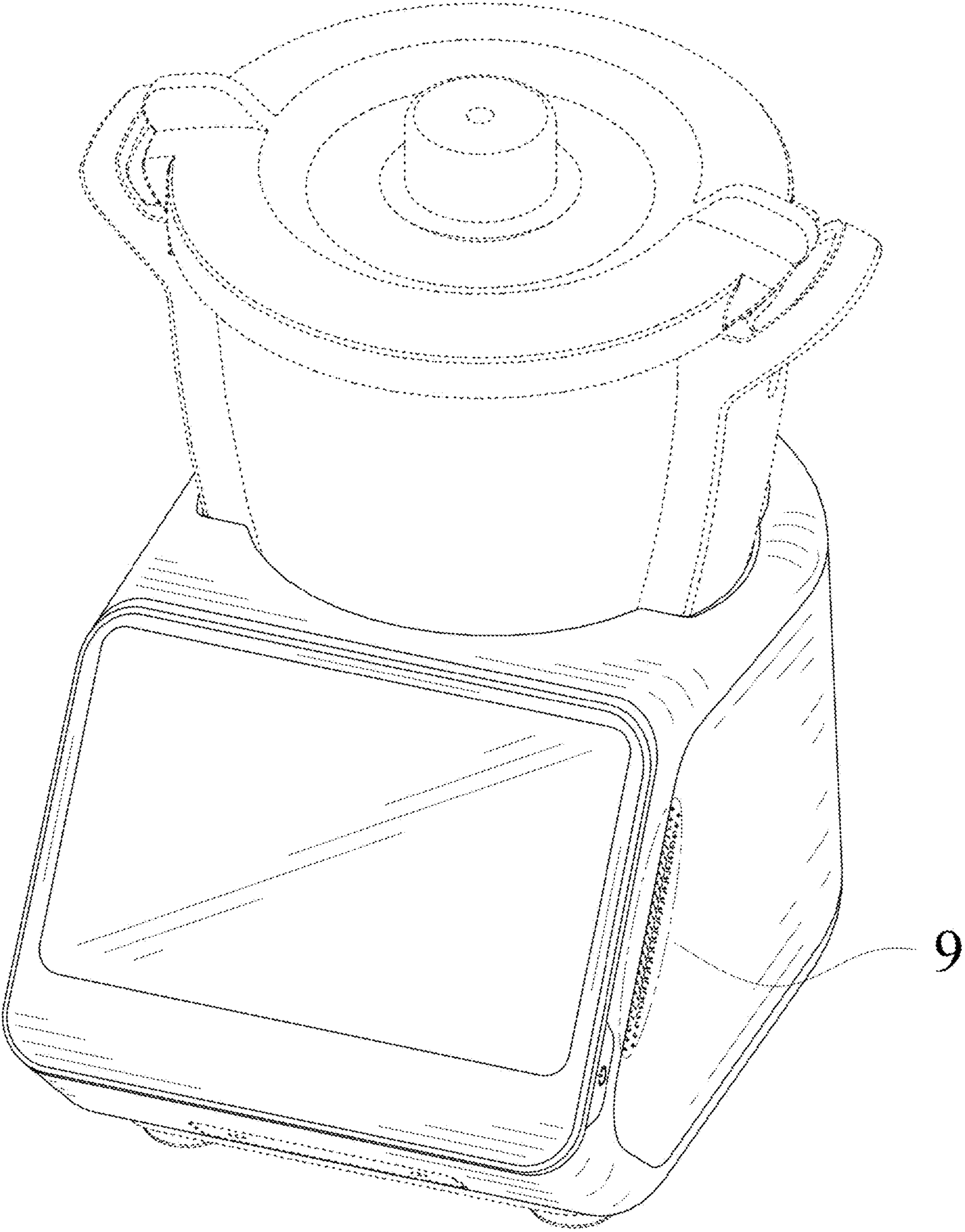


FIG. 1



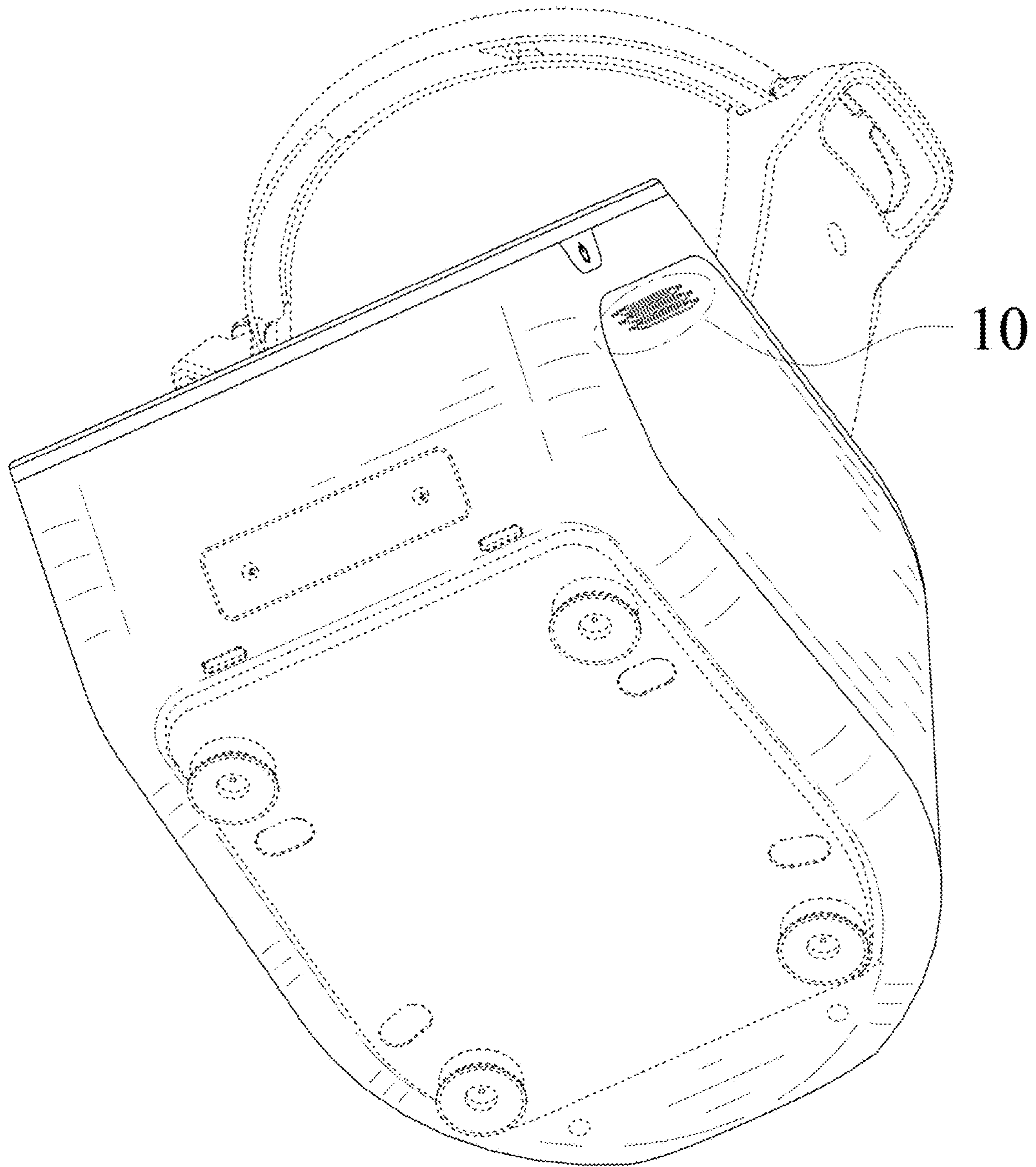


FIG. 2

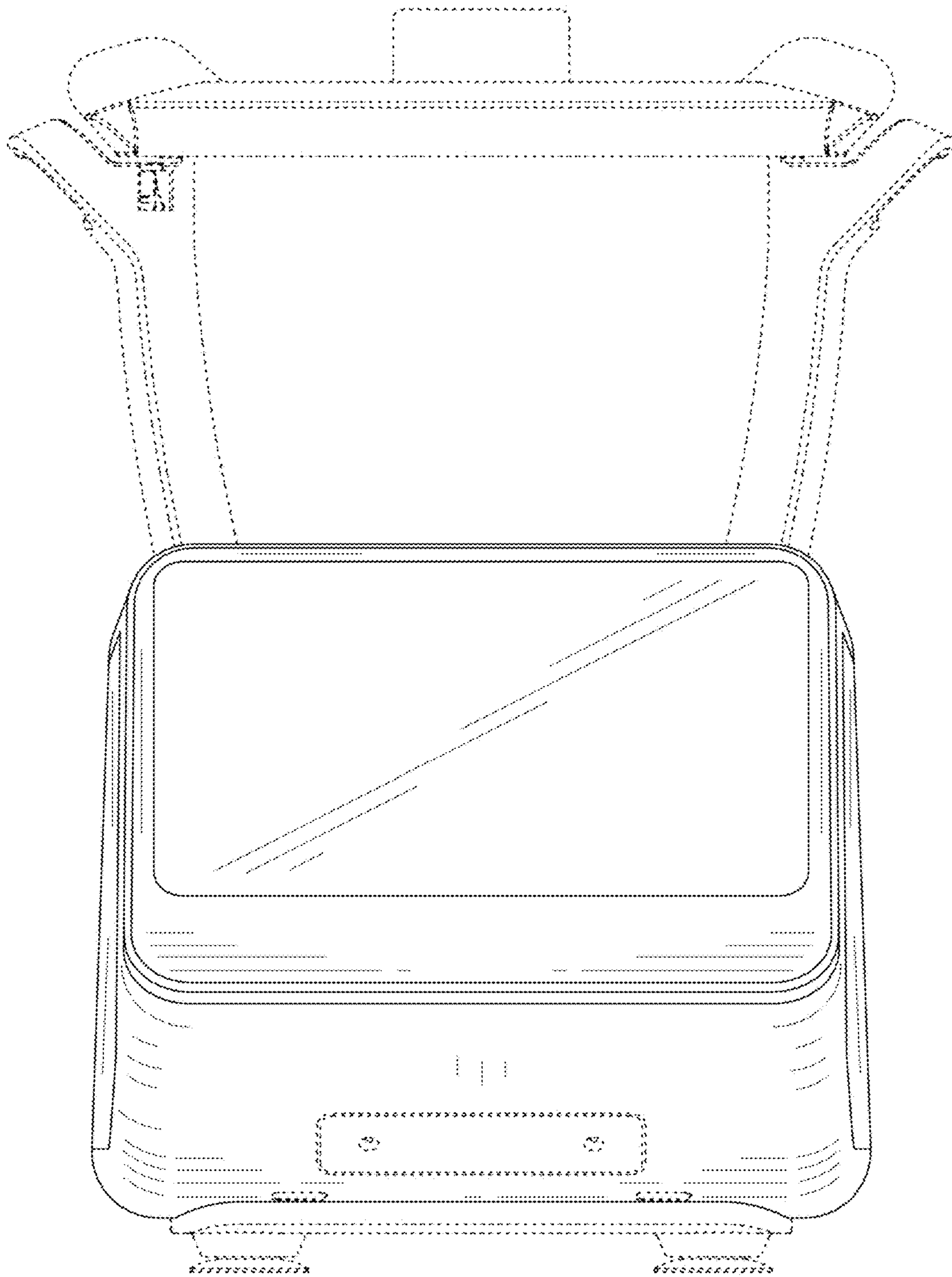


FIG. 3

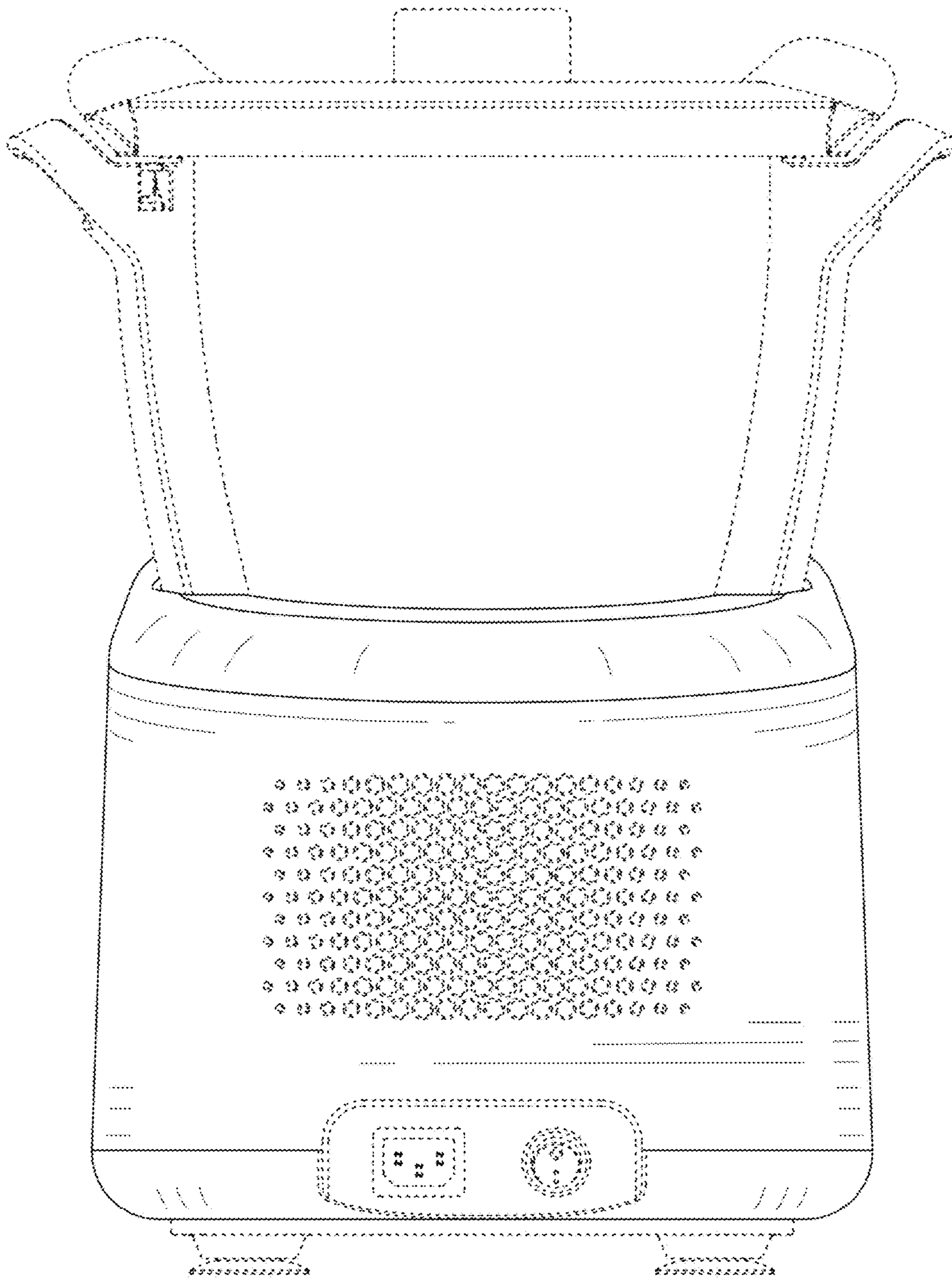


FIG. 4

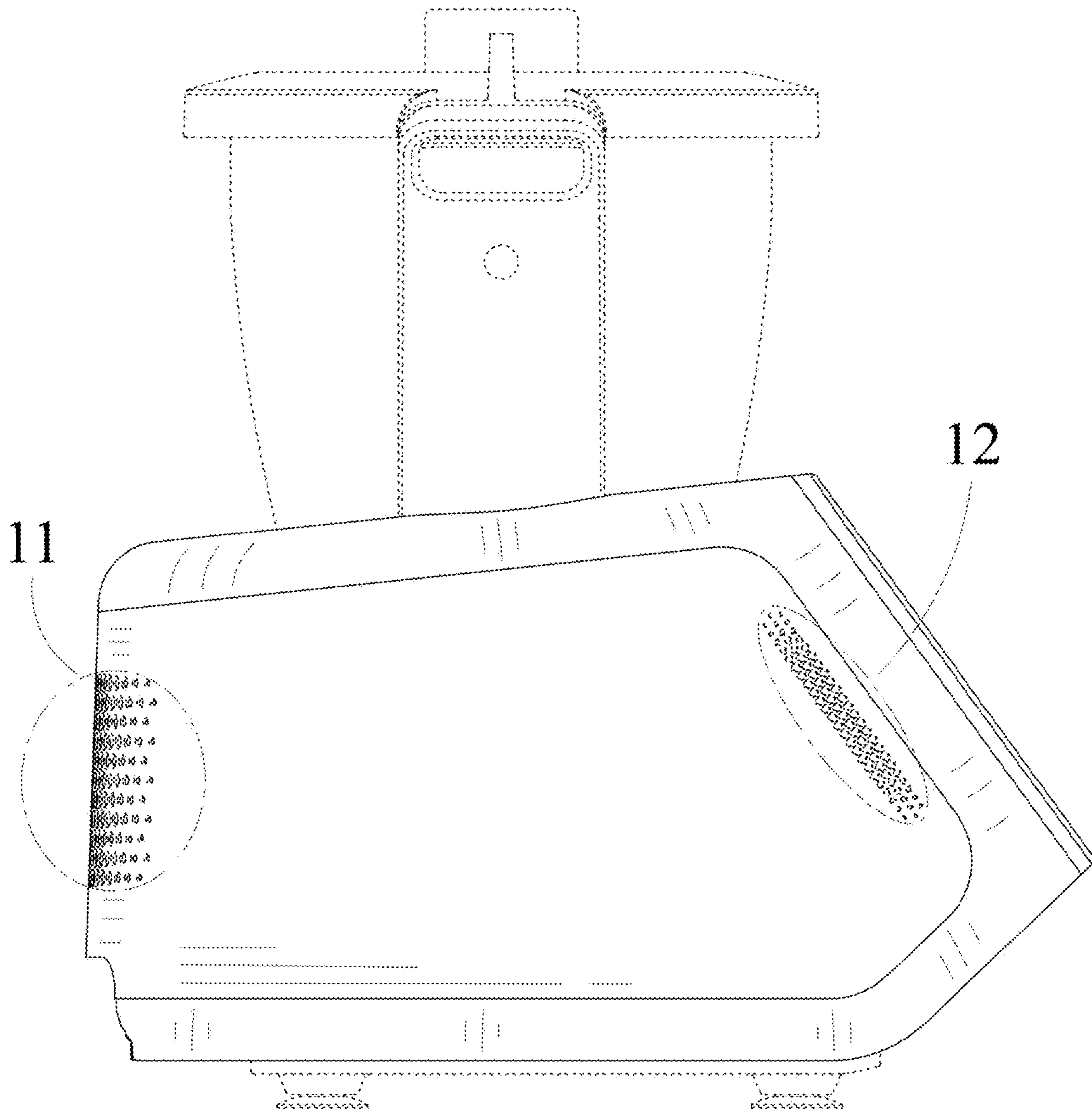


FIG. 5



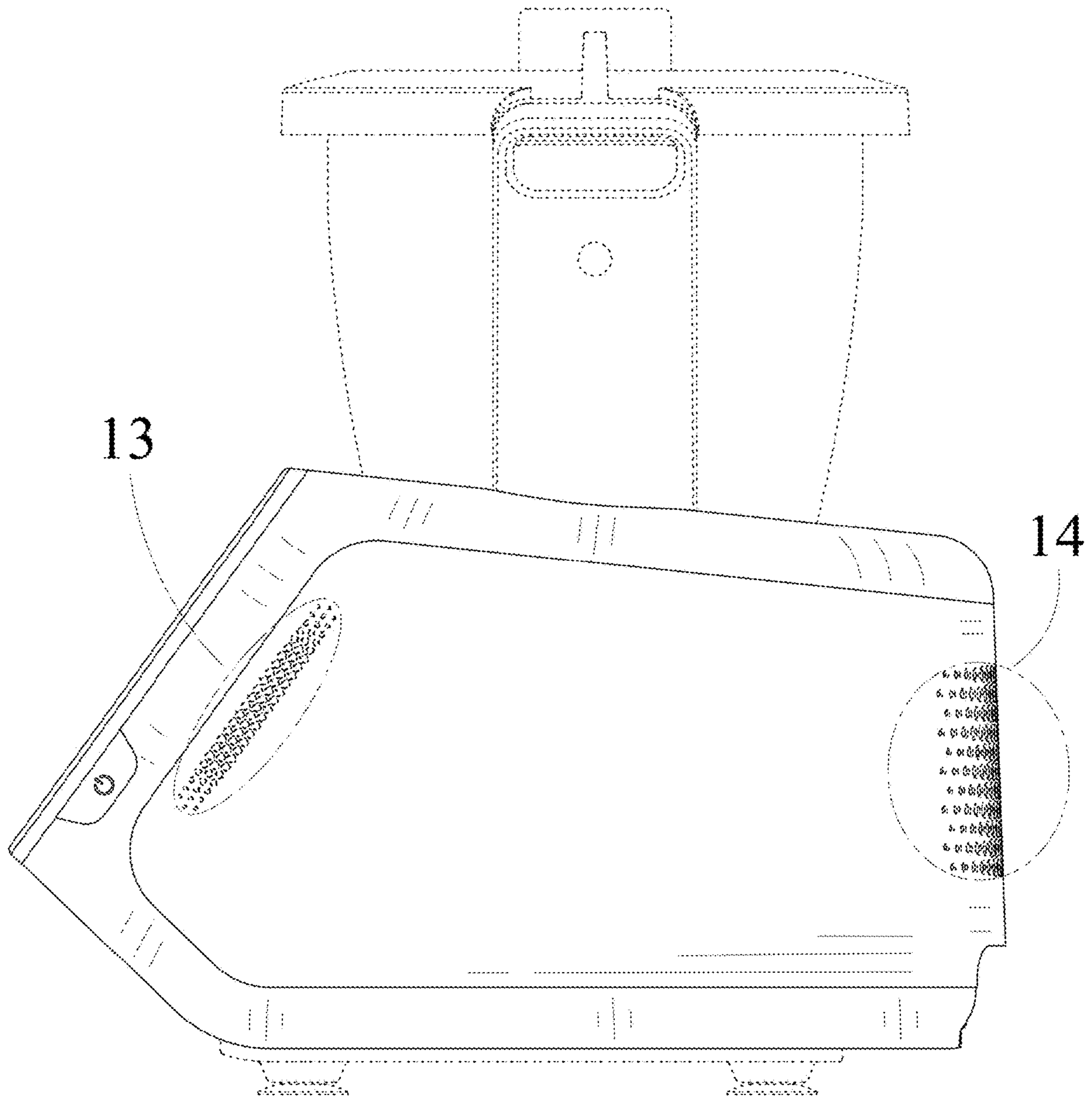


FIG. 6



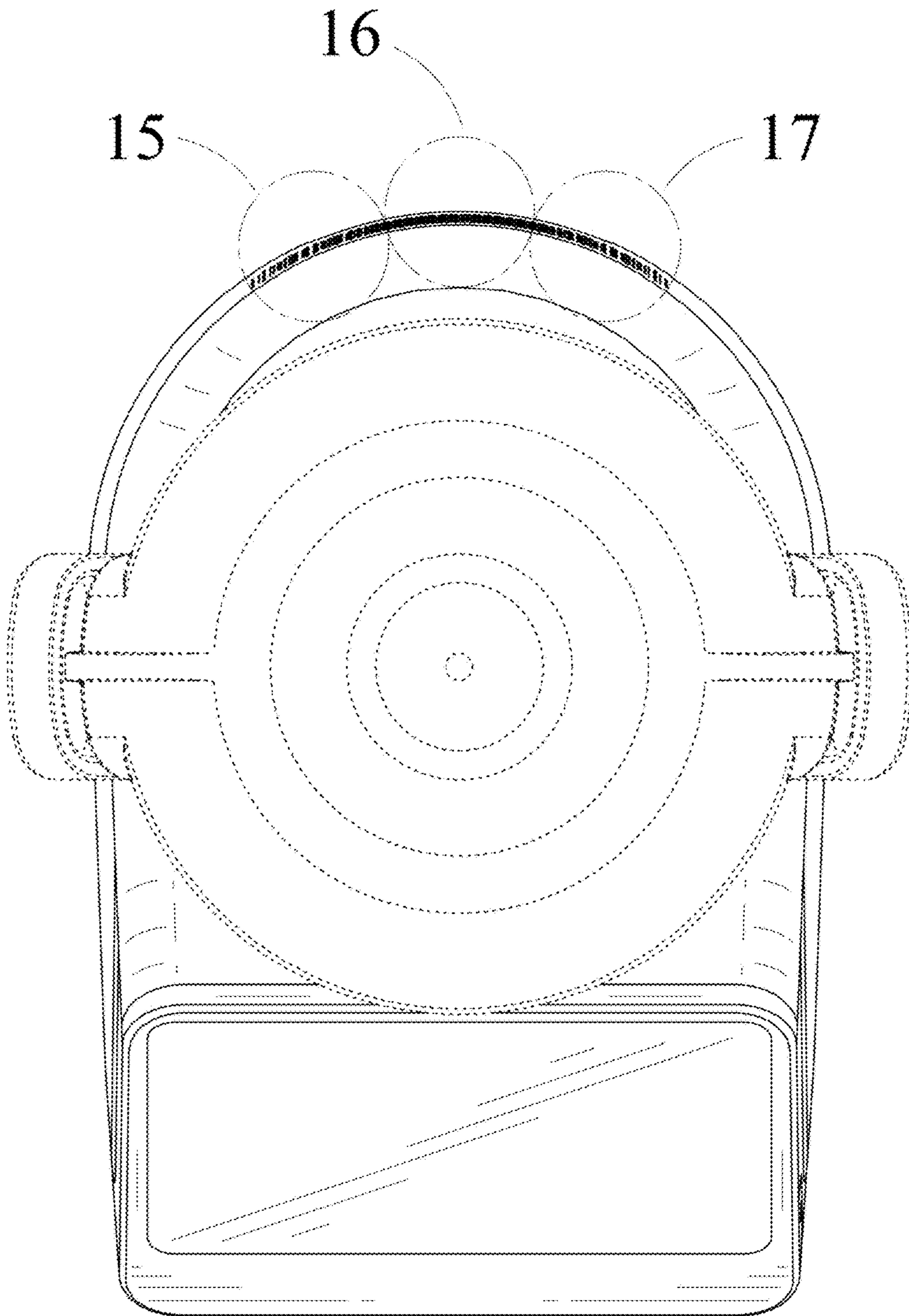


FIG. 7

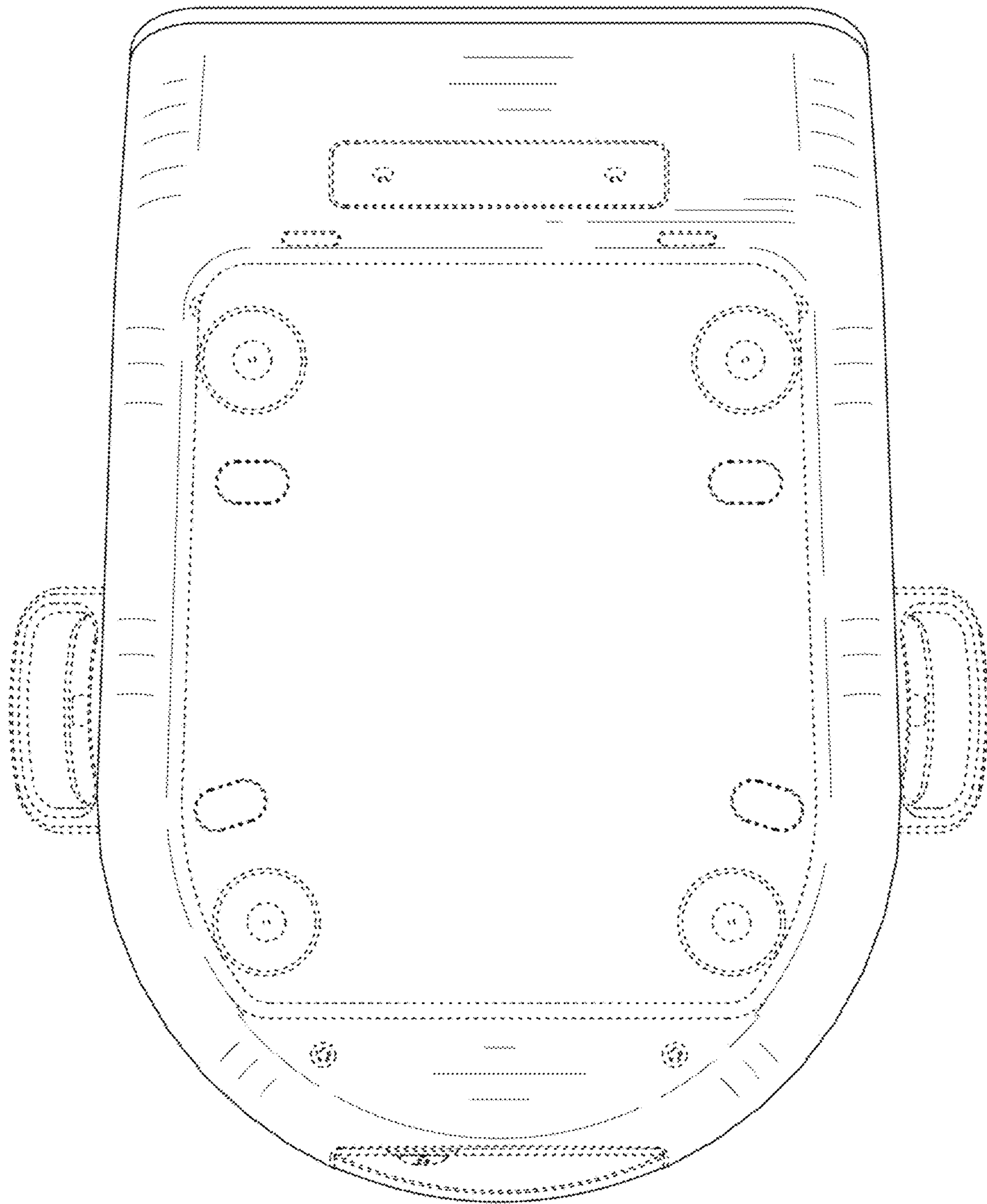


FIG. 8

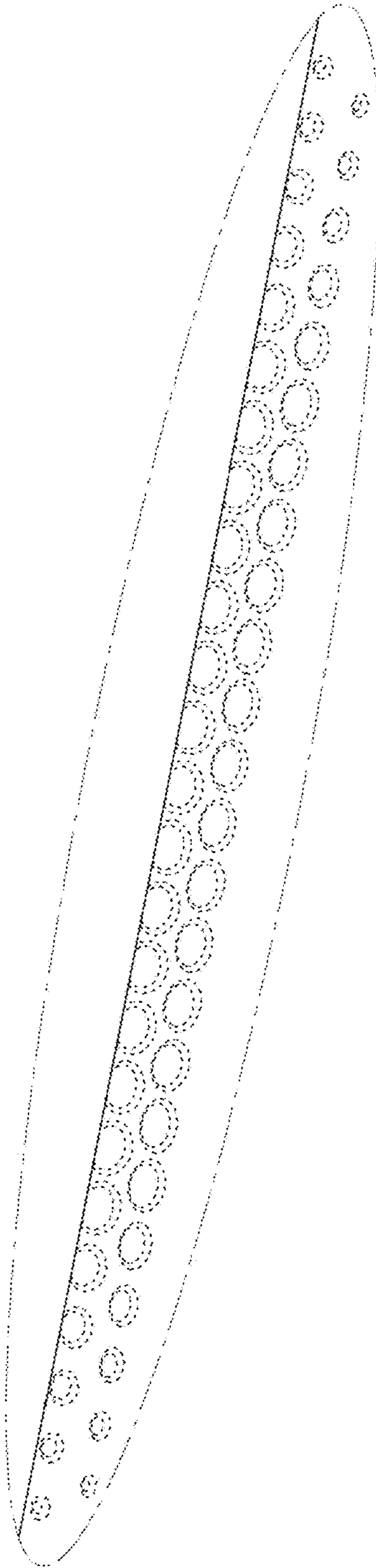


FIG. 9

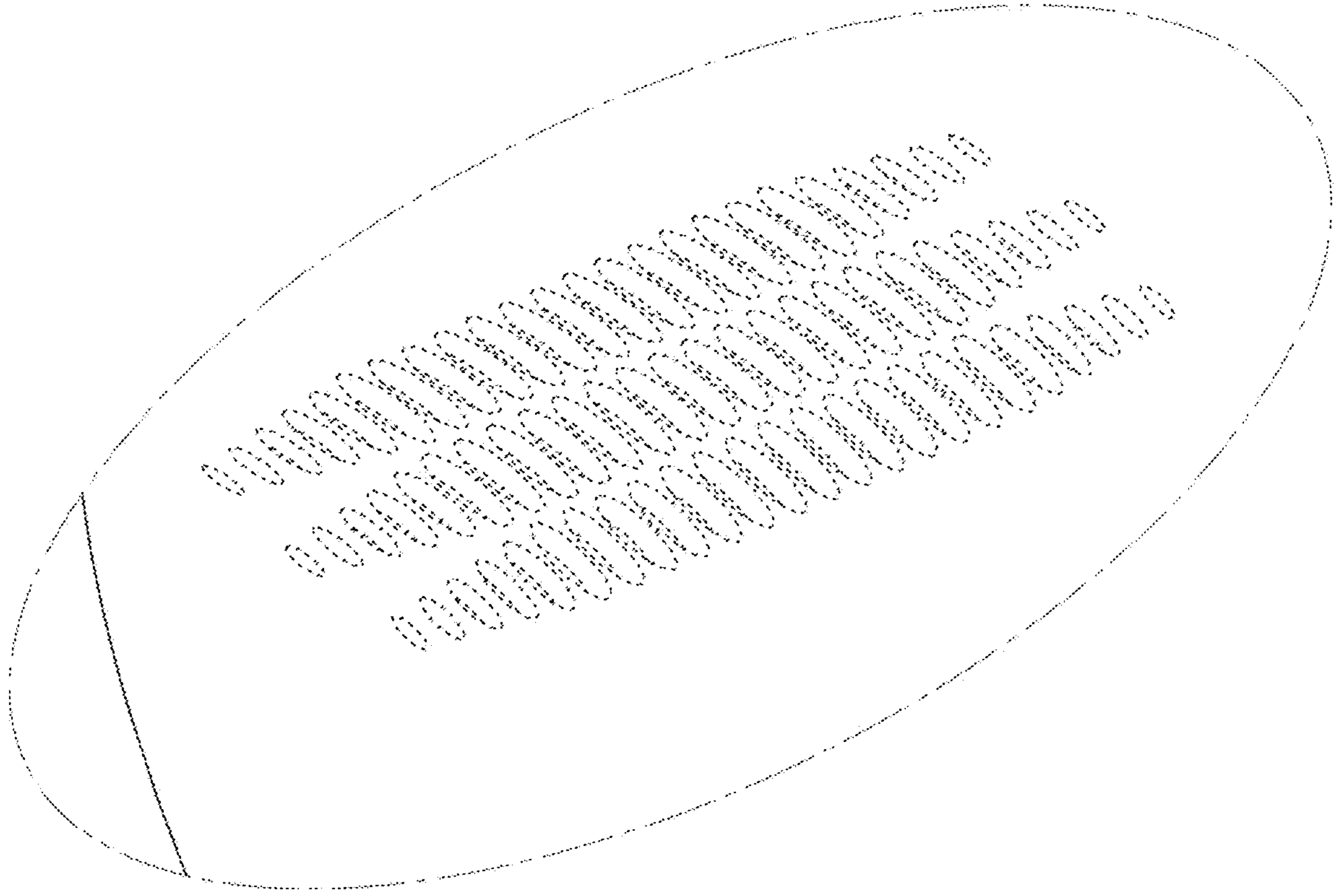


FIG. 10



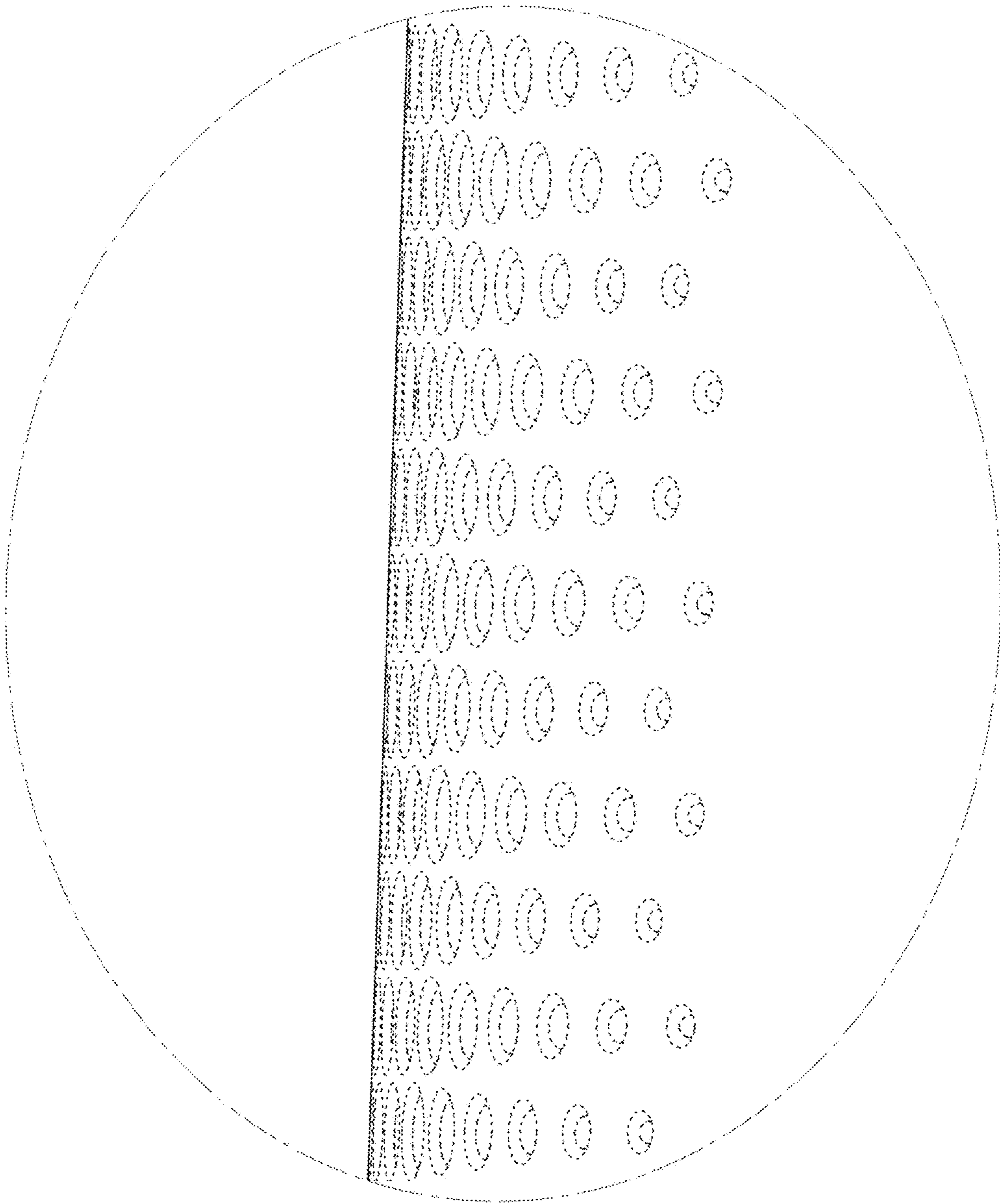


FIG. 11

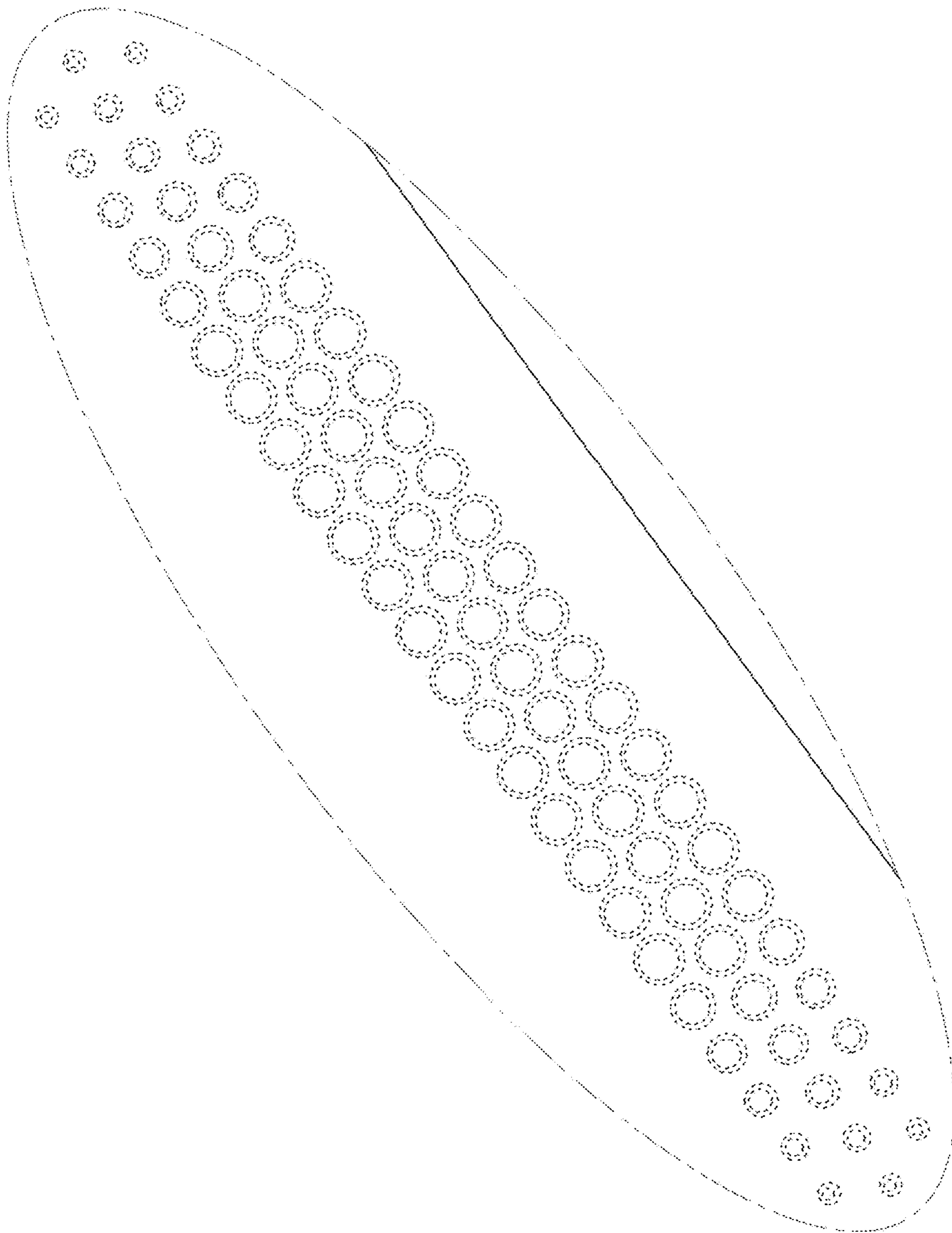


FIG. 12

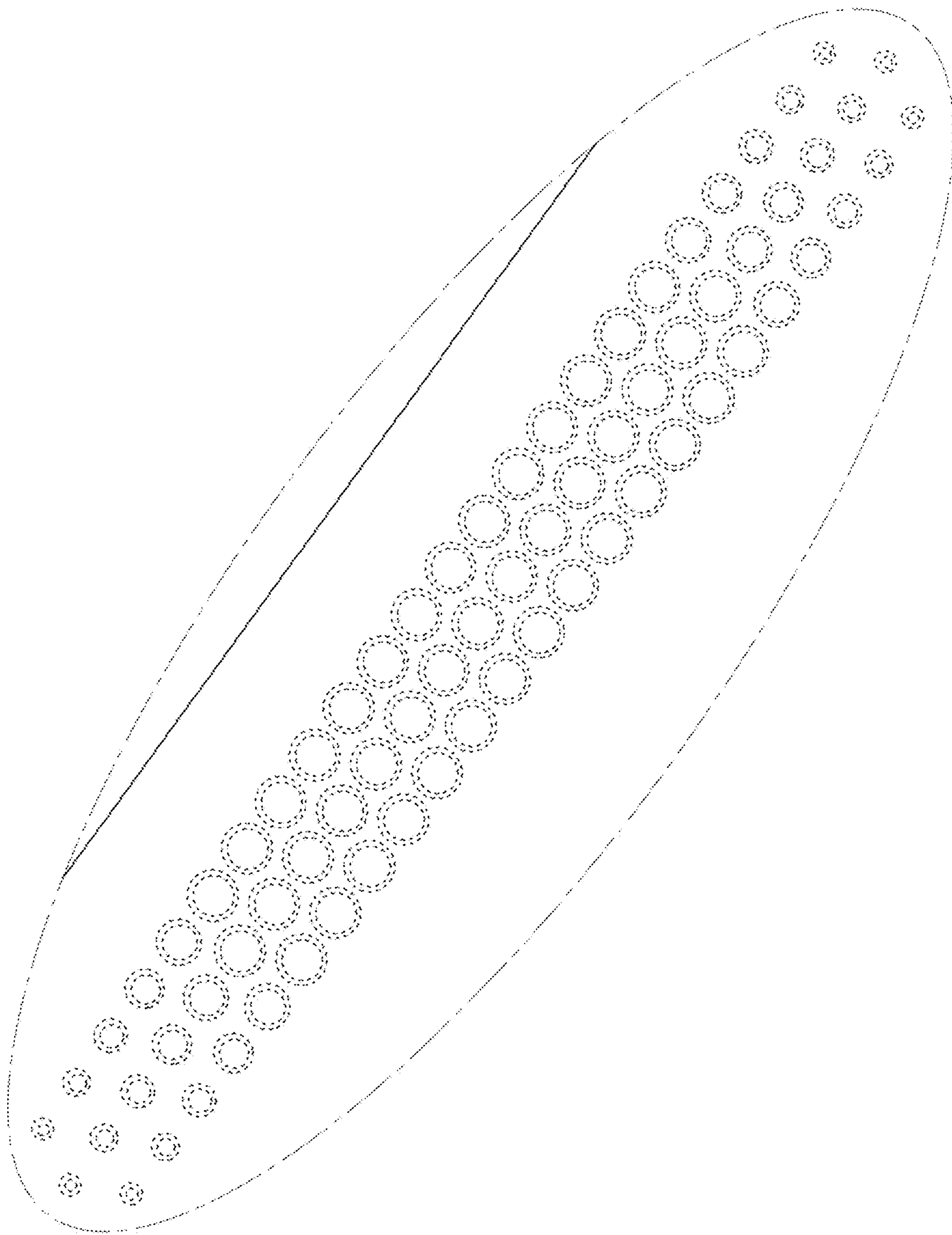


FIG. 13

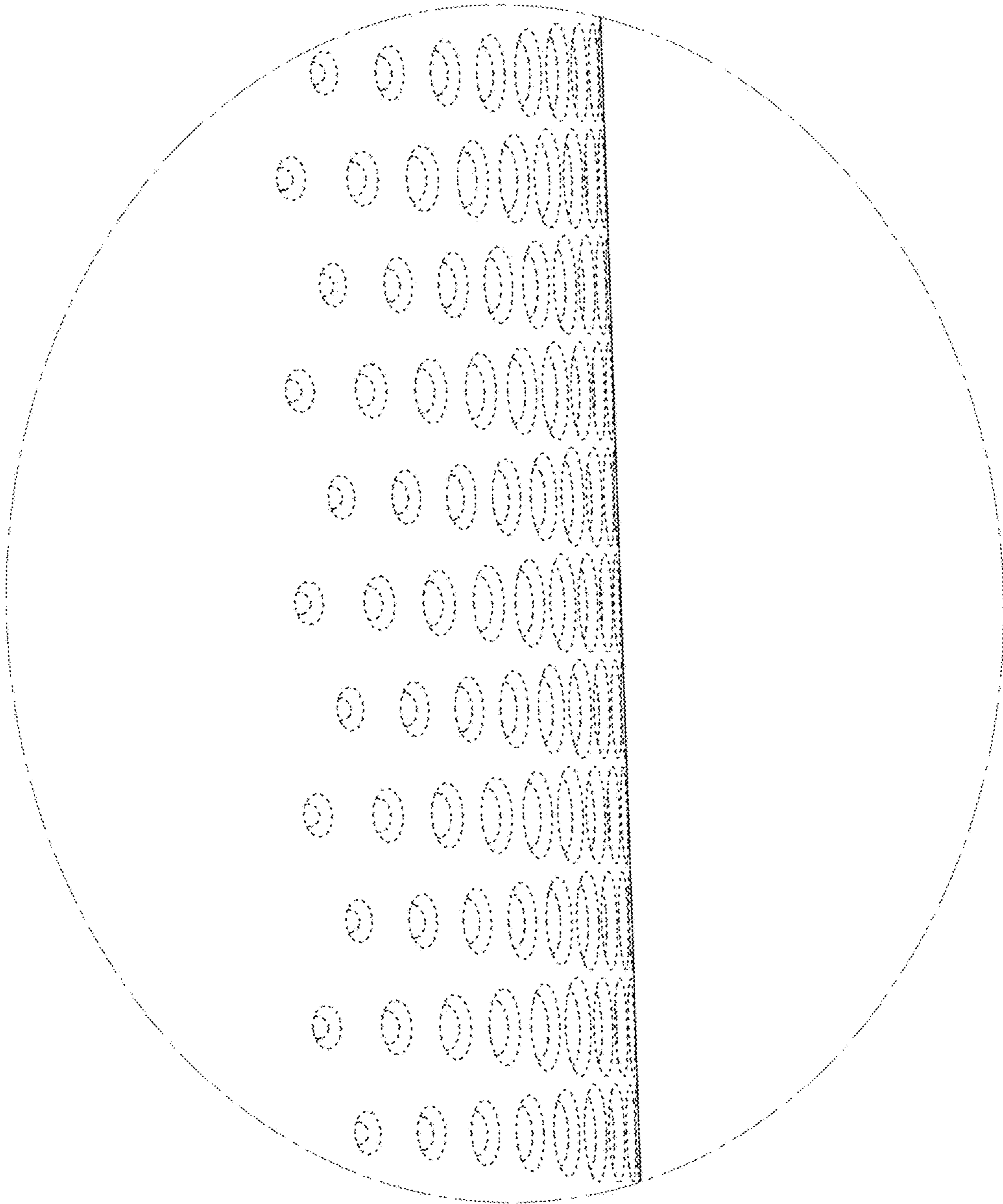


FIG. 14



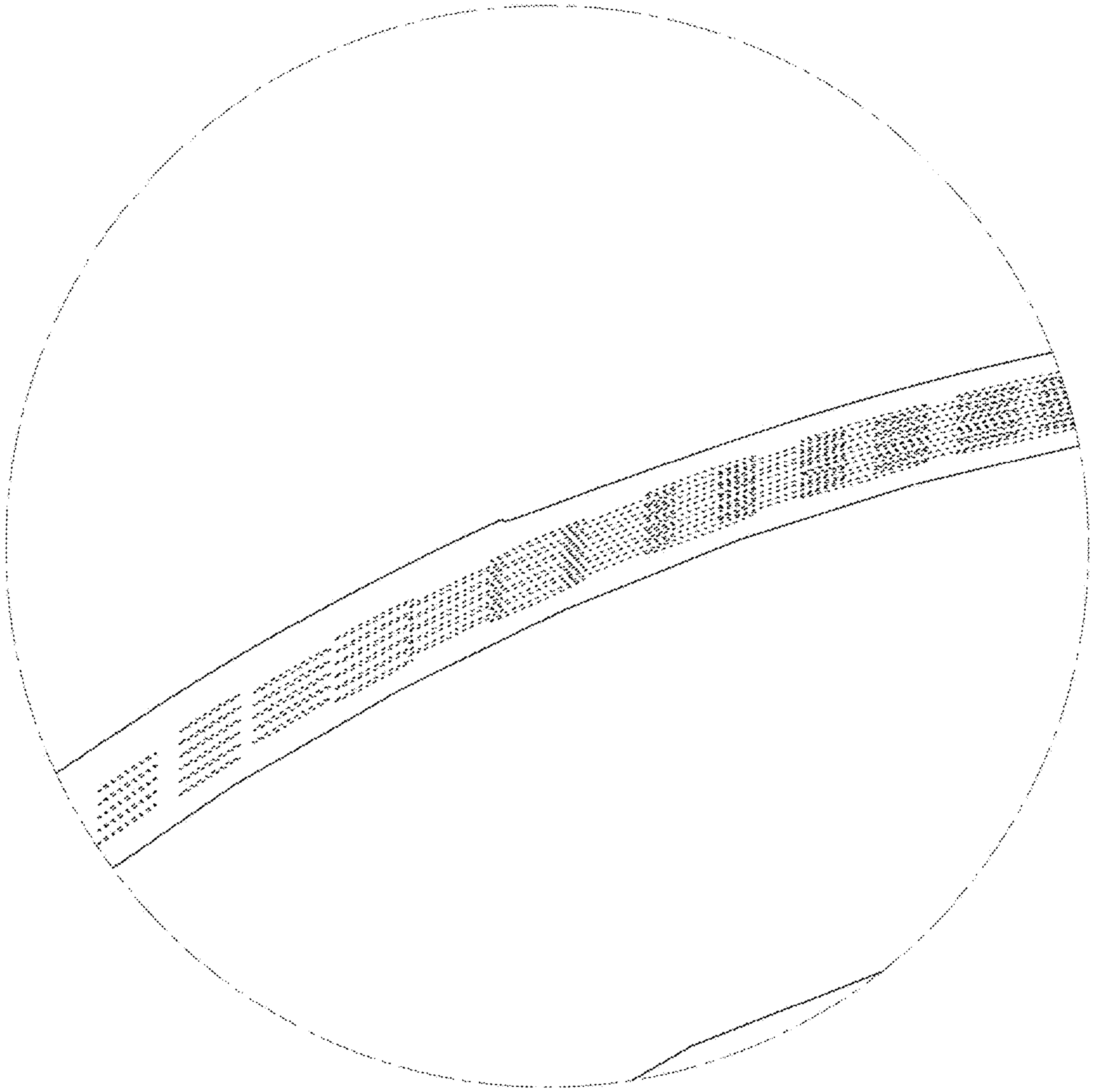


FIG. 15

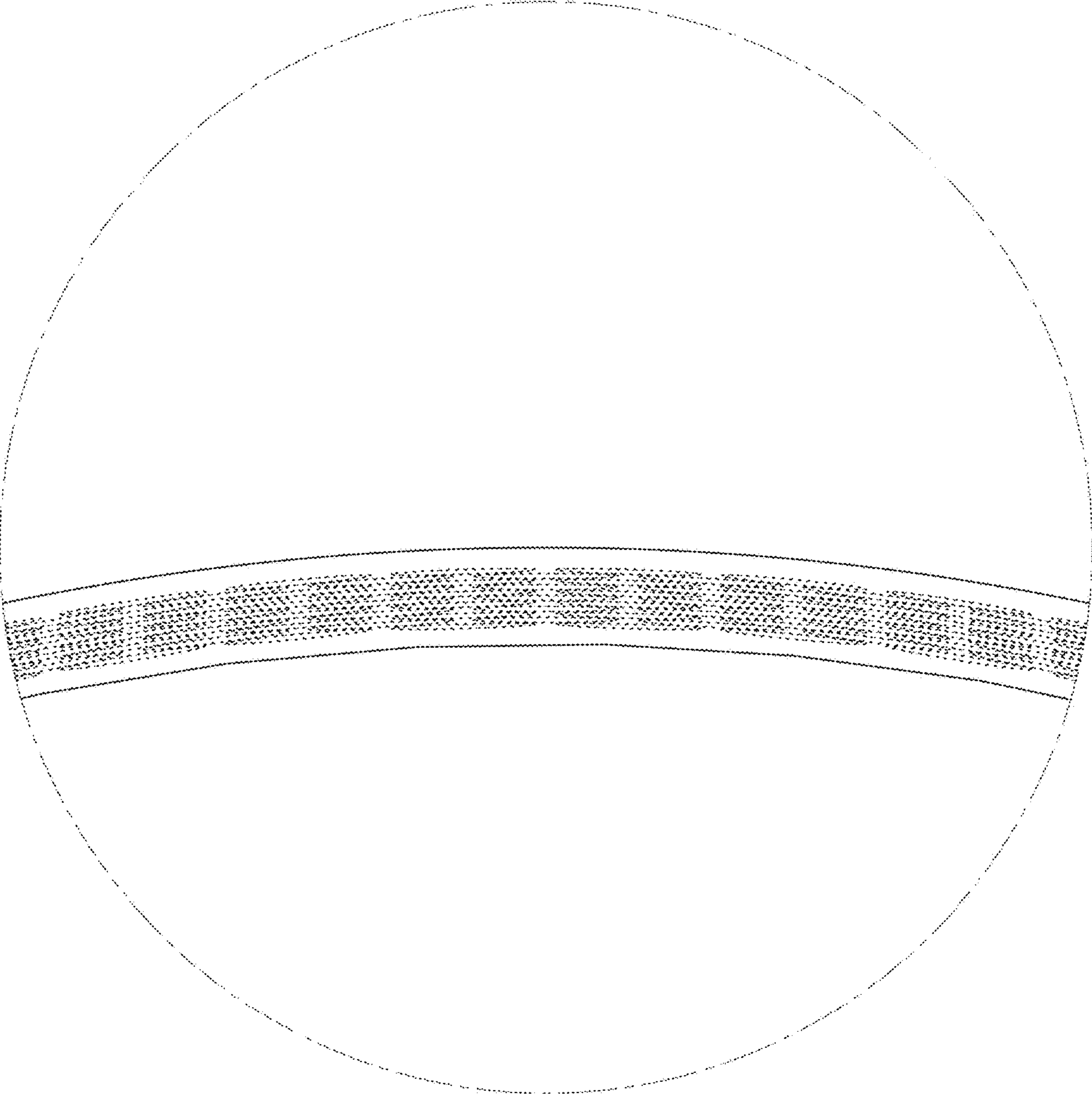


FIG. 16

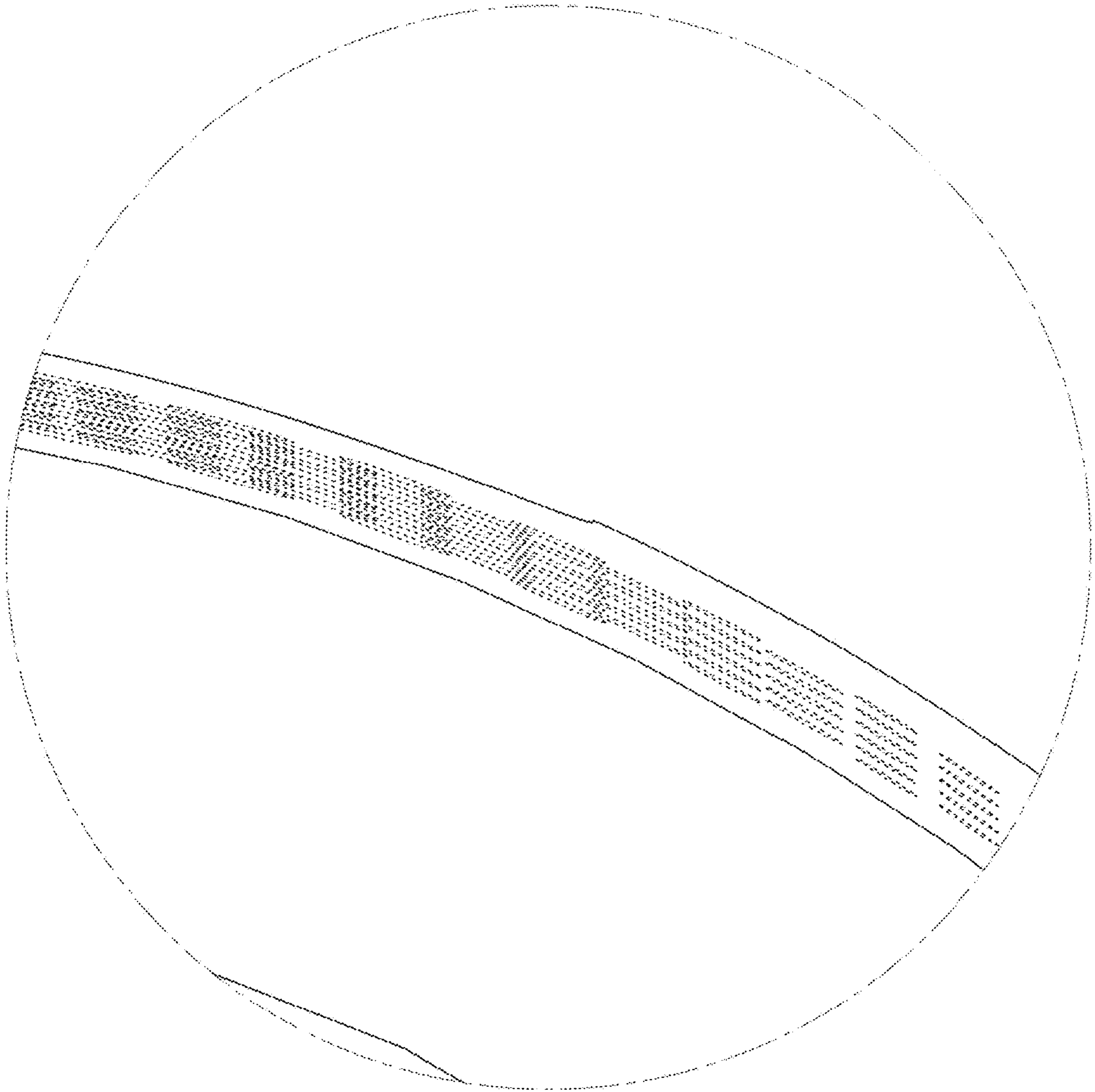


FIG. 17