



US00D899843S

(12) **United States Design Patent** (10) **Patent No.:** **US D899,843 S**
Ye (45) **Date of Patent:** **** Oct. 27, 2020**

(54) **FOOD PROCESSOR**
(71) Applicants: **Xiushan Ye**, Guangzhou (CN);
Guangzhou Shengwei Electric Manufacturing Co., Ltd., Guangzhou (CN)
(72) Inventor: **Xiushan Ye**, Guangzhou (CN)
(73) Assignees: **Xiushan Ye**, Guangzhou (CN);
GUANGZHOU SHENGWEI ELECTRIC MANUFACTURING CO., LTD., Guangzhou (CN)

D642,422 S 8/2011 Averty
D707,079 S * 6/2014 Blaise D7/384
D745,316 S * 12/2015 Usmar D7/378
D747,917 S * 1/2016 Kemker D7/384
D758,126 S * 6/2016 Benoit D7/384
D761,613 S * 7/2016 Moon D7/360
D761,615 S * 7/2016 Dickson, Jr. D7/376
D772,001 S * 11/2016 Kemker D7/386
D802,987 S 11/2017 Corlay
D847,558 S * 5/2019 Hoff D7/384
D853,782 S 7/2019 Conti et al.
D878,143 S * 3/2020 Ding D7/358
2002/0027175 A1 * 3/2002 Capp A47J 43/046
241/199.12
2018/0333004 A1 * 11/2018 De' Longhi A47J 37/0629

(**) Term: **15 Years**

* cited by examiner

(21) Appl. No.: **29/735,967**

Primary Examiner — Ricky Pham

(22) Filed: **May 27, 2020**

(51) **LOC (12) Cl.** **31-00**

(52) **U.S. Cl.**
USPC **D7/384**; D7/376; D7/378

(57) **CLAIM**

(58) **Field of Classification Search**
USPC D7/358, 360, 372, 376–386, 412–413,
D7/602, 629, 665–666, 669, 679,
D7/693–694

The ornamental design for a food processor, as shown and described.

CPC A21C 1/02; A21C 1/04; A23N 1/00; A23N 1/02; A47J 27/004; A47J 37/0629; A47J 43/04; A47J 43/25; A47J 43/27; A47J 43/042; A47J 43/044; A47J 43/046; A47J 43/075; A47J 43/0722; A47J 43/0727; B01F 3/00; B01F 3/0807; B01F 3/0853; B01F 13/0059; B01F 13/0064; B02C 1/08; B02C 2/04; B02C 4/42; B02C 4/142; B02C 4/143; B02C 4/423; B02C 13/1835; B28C 5/10; B28C 5/12; B28C 5/14; B28C 5/16

DESCRIPTION

See application file for complete search history.

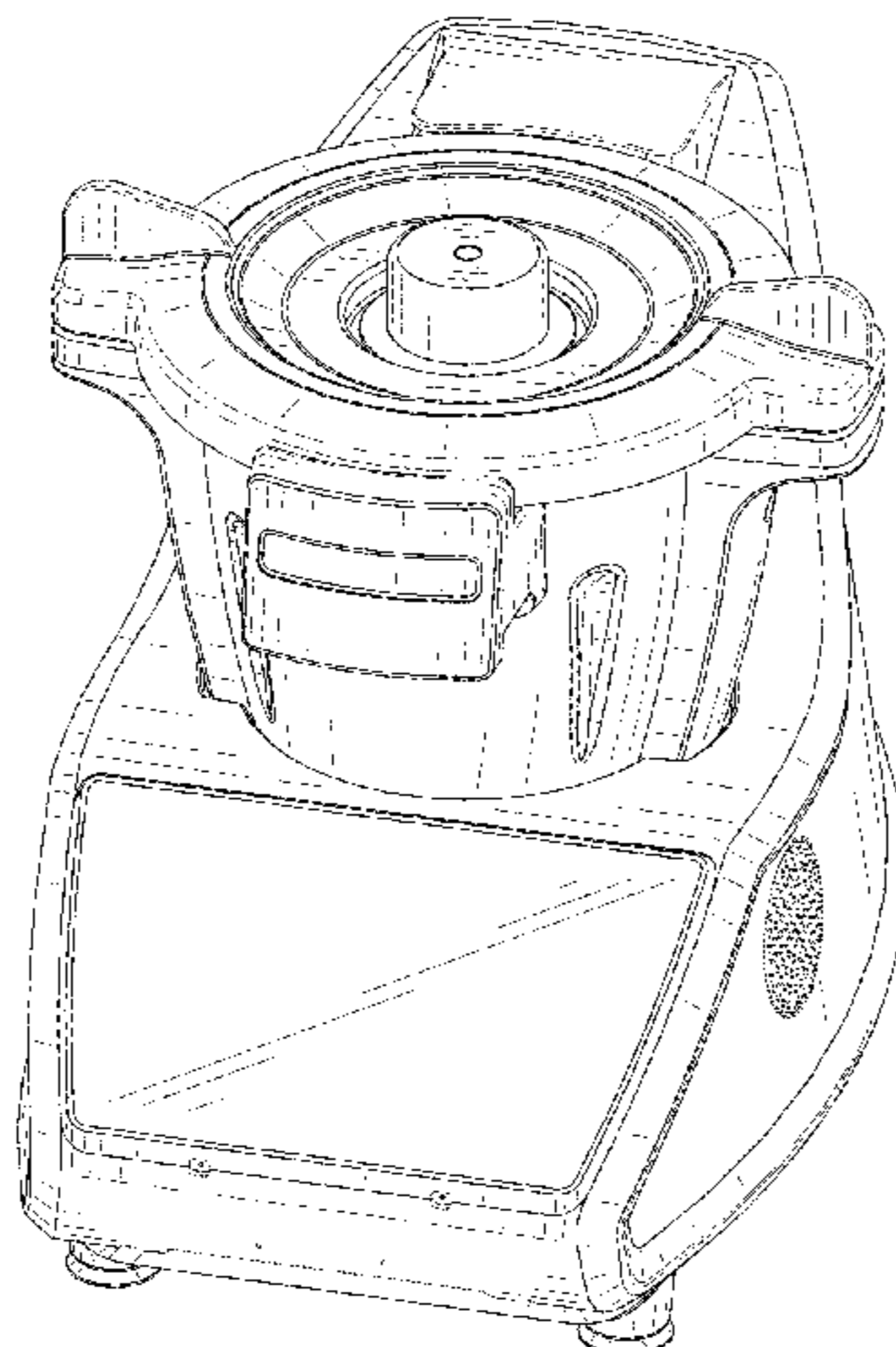
FIG. 1 is a perspective view of a food processor; FIG. 2 is a front elevational view thereof; FIG. 3 is a rear elevational view thereof; FIG. 4 is a left side elevational view thereof; FIG. 5 is a right side elevational view thereof; FIG. 6 is a top plan view thereof; and, FIG. 7 is a bottom plan view thereof. The broken lines in the drawings depict portions of the food processor that form no part of the claimed design. The shade lines in the figures show contour and not surface ornamentation. The diagonal shaded lines in the figures show a display surface.

(56) **References Cited**

U.S. PATENT DOCUMENTS

3,176,968 A * 4/1965 Appleton A47J 43/046
366/146
6,289,793 B1 * 9/2001 Hu A47J 27/004
366/145

1 Claim, 7 Drawing Sheets



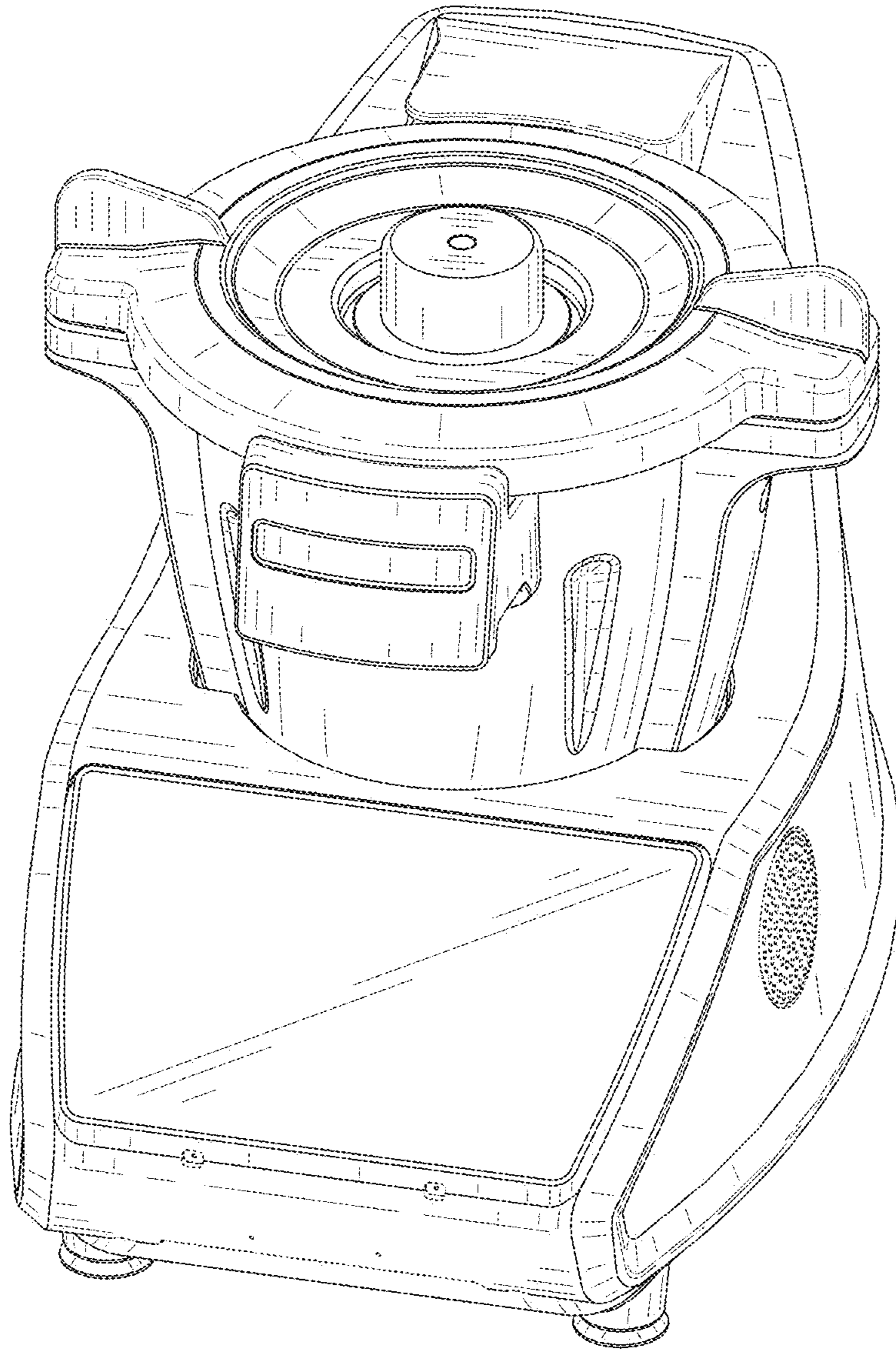


FIG. 1

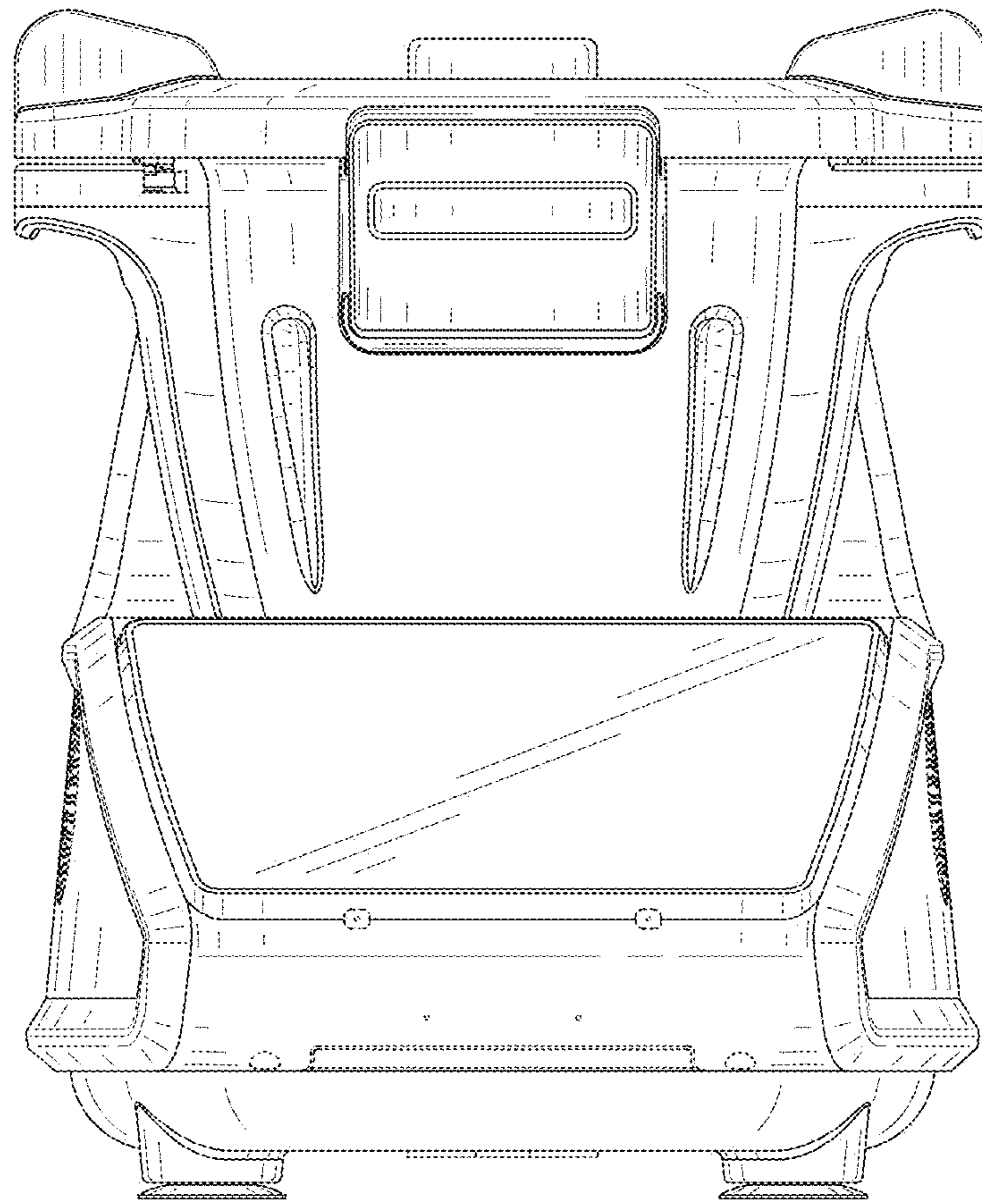


FIG. 2

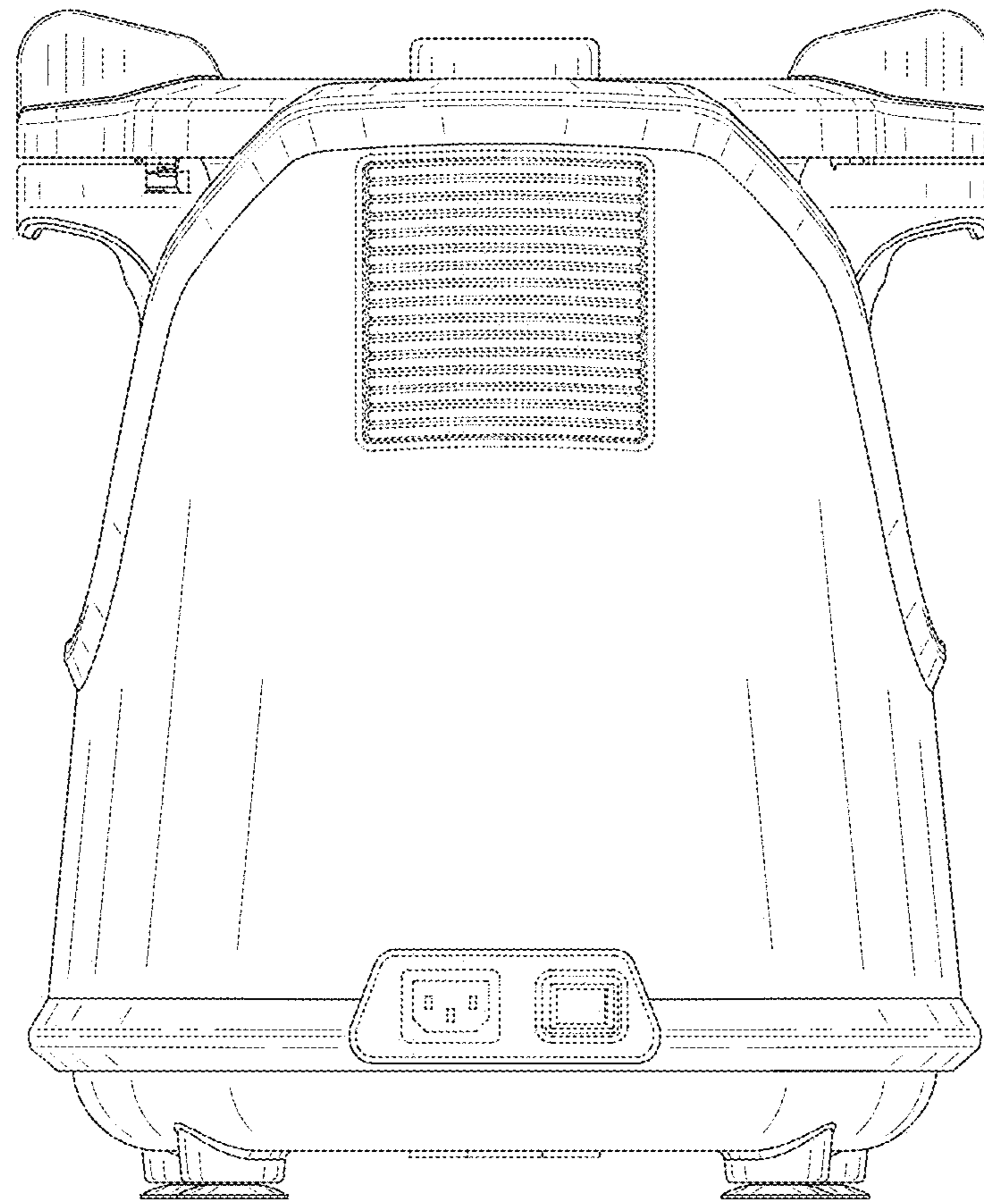


FIG. 3

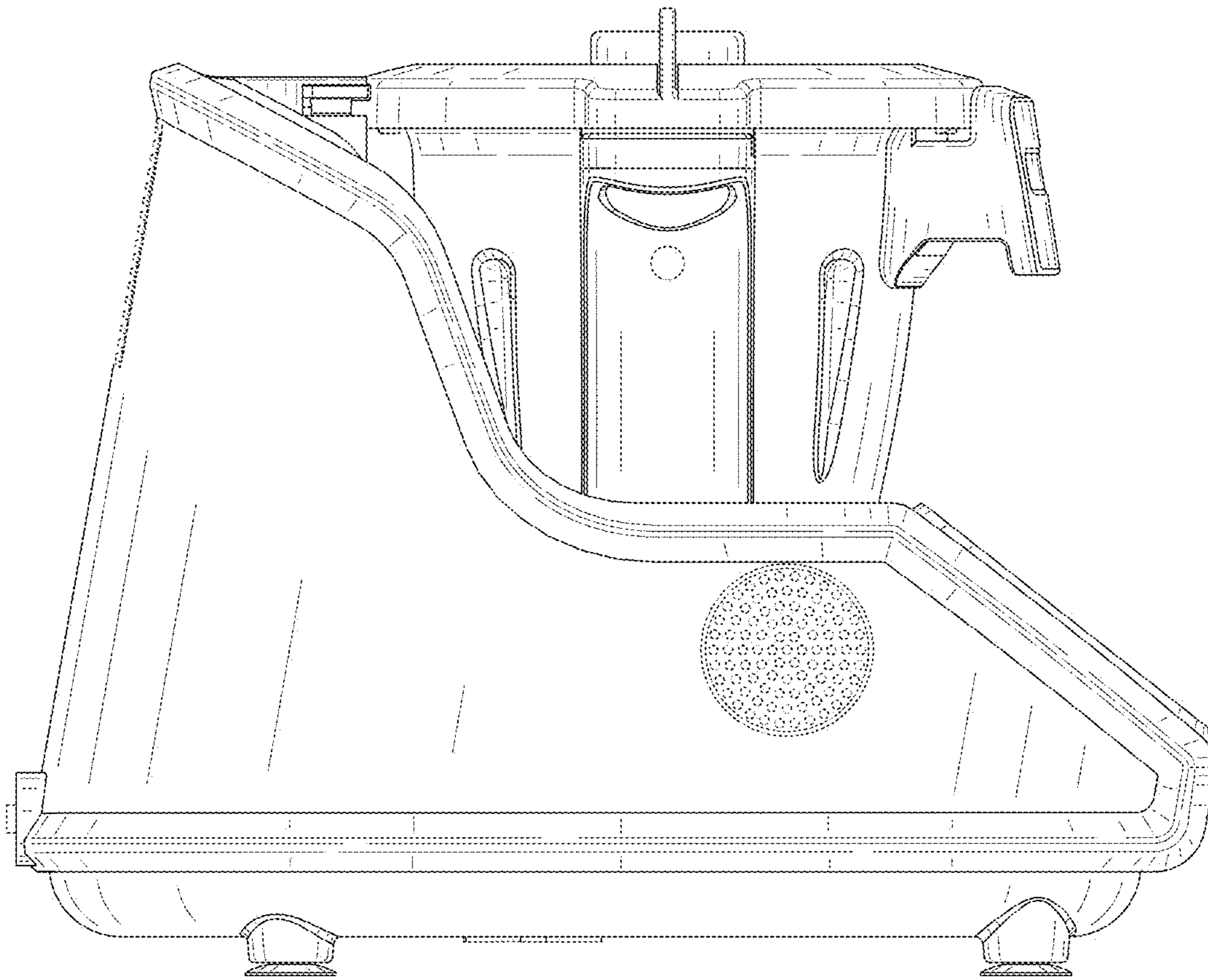


FIG. 4

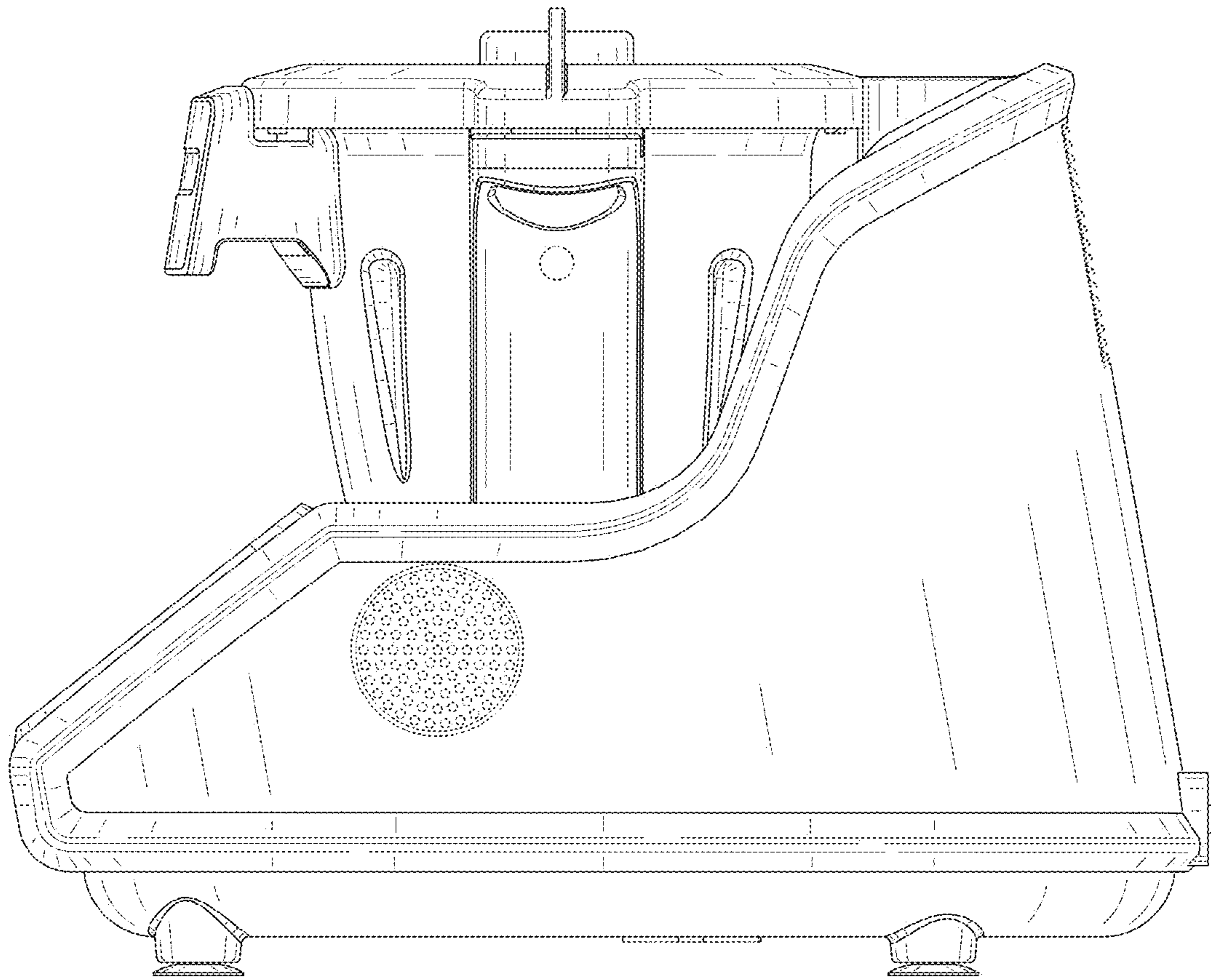


FIG. 5

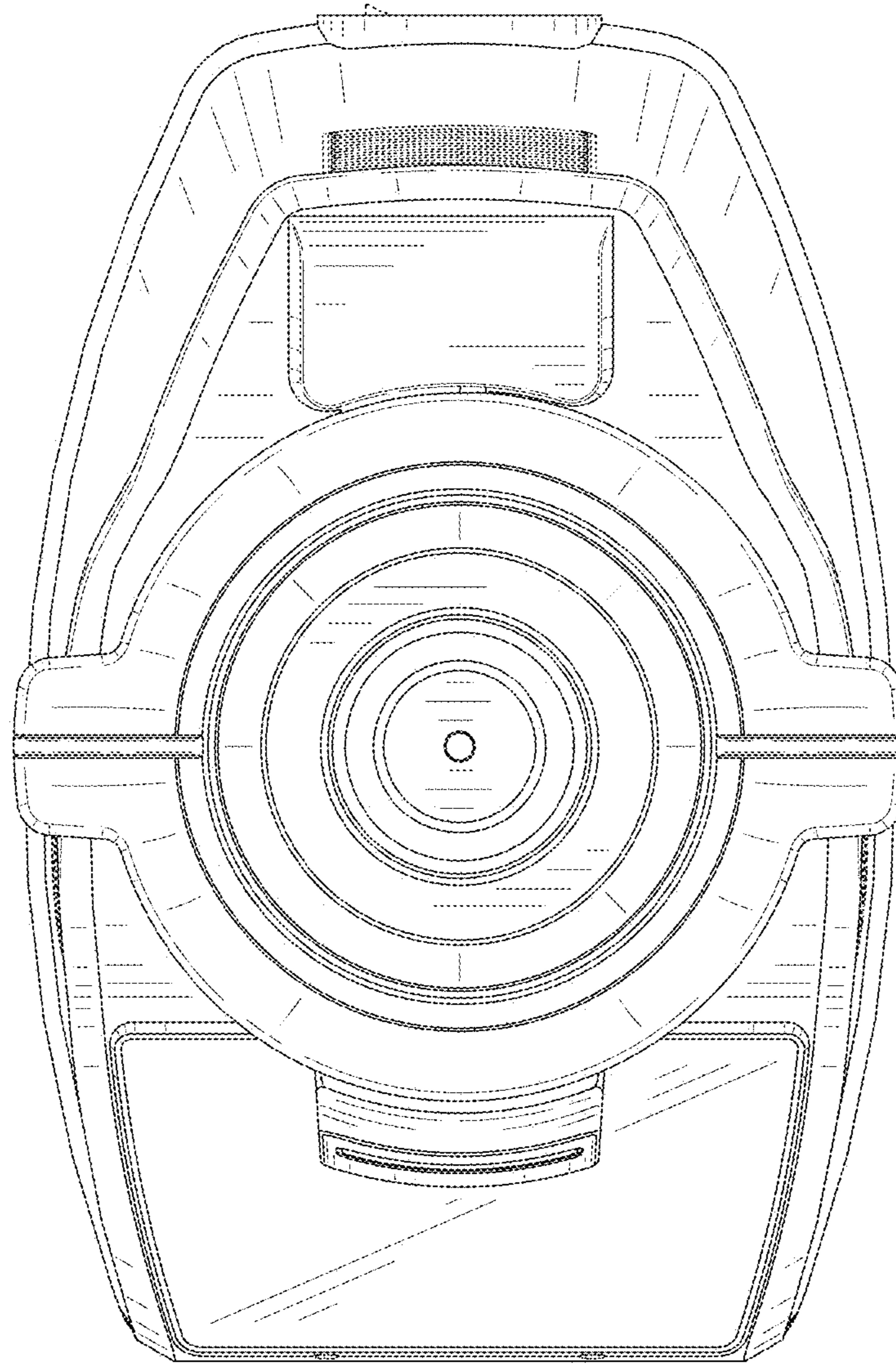


FIG. 6

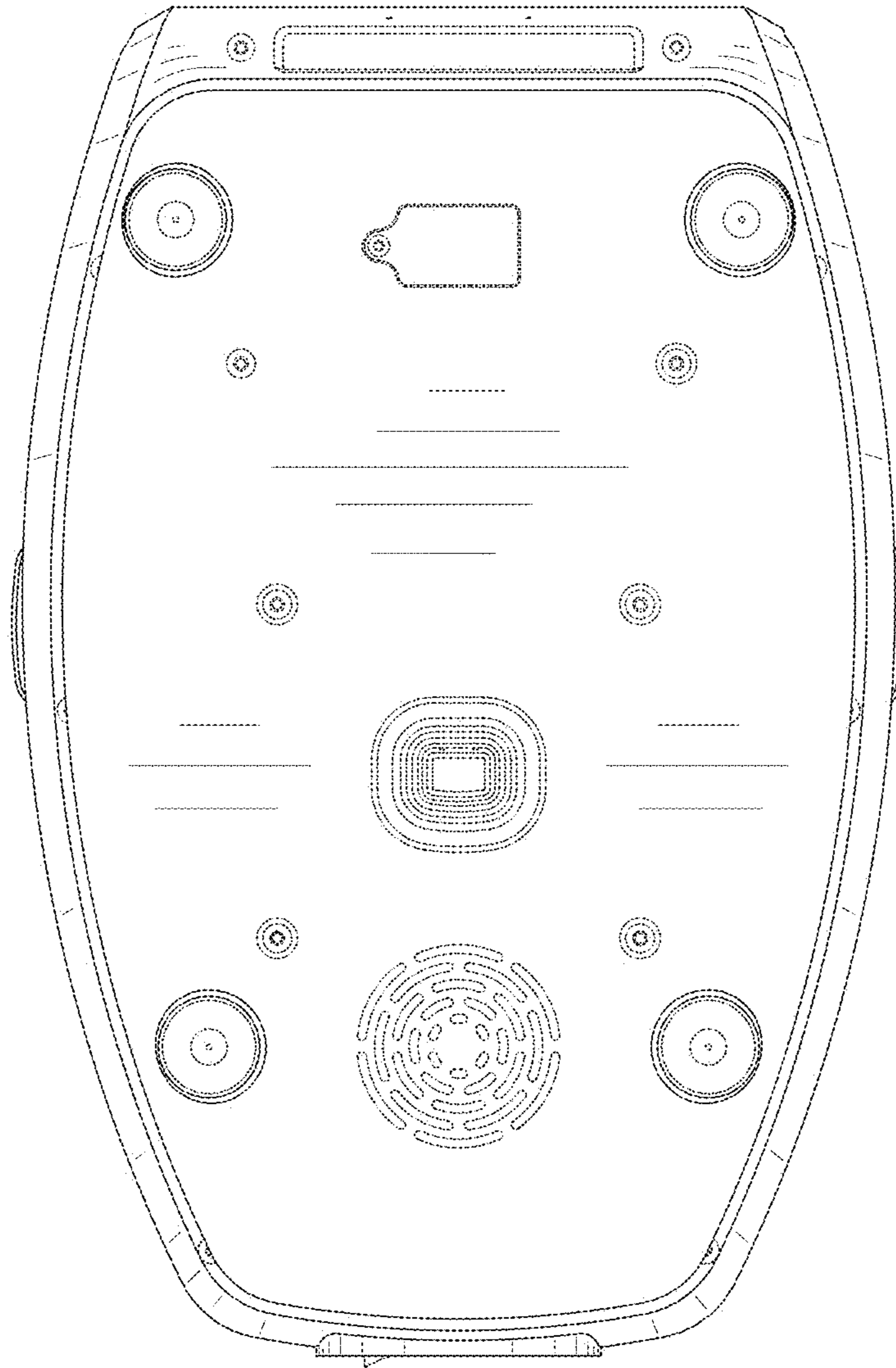


FIG. 7