



US00D899842S

(12) **United States Design Patent**  
**Pai**

(10) **Patent No.:** **US D899,842 S**

(45) **Date of Patent:** **\*\* Oct. 27, 2020**

(54) **ROASTER**

(71) Applicant: **Lucas Pai**, Taichung (TW)

(72) Inventor: **Lucas Pai**, Taichung (TW)

(\*\*) Term: **15 Years**

(21) Appl. No.: **29/691,466**

(22) Filed: **May 16, 2019**

(51) **LOC (12) Cl.** ..... **07-02**

(52) **U.S. Cl.**  
USPC ..... **D7/330**

(58) **Field of Classification Search**  
USPC ..... D7/323, 328-330, 339, 350.1, 390  
CPC . A21B 2/00; A47J 37/00; A47J 37/044; A47J  
37/06; A47J 37/0611; A47J 37/08; A47J  
37/0807; A47J 37/0814; A47J 37/0835;  
A47J 37/0842; A47J 37/085; A47J  
37/0864; A47J 37/0878; A47J 37/0885;  
A47J 37/0892; F24C 15/10; F24C 15/102  
See application file for complete search history.

(56) **References Cited**

**U.S. PATENT DOCUMENTS**

- 3,336,858 A \* 8/1967 Maindonald ..... A47J 37/0878  
99/391
- 3,517,605 A \* 6/1970 Weiss ..... A47J 37/044  
99/423

- D598,236 S \* 8/2009 Dyson ..... D7/328
- D603,649 S \* 11/2009 Chung ..... D7/330
- D604,986 S \* 12/2009 Dahlstrom ..... D7/330
- D609,958 S \* 2/2010 Chung ..... D7/330
- D622,091 S \* 8/2010 Knox ..... D7/330
- D634,154 S \* 3/2011 Agnello ..... D7/328
- D749,886 S \* 2/2016 Prats ..... D7/330
- D790,905 S \* 7/2017 Sajjad ..... D7/339
- D842,635 S \* 3/2019 Synowiec ..... D7/330
- D858,173 S \* 9/2019 Hecker ..... D7/350.1

\* cited by examiner

*Primary Examiner* — Ricky Pham

(74) *Attorney, Agent, or Firm* — Alan D. Kamrath; Mayer & Williams PC

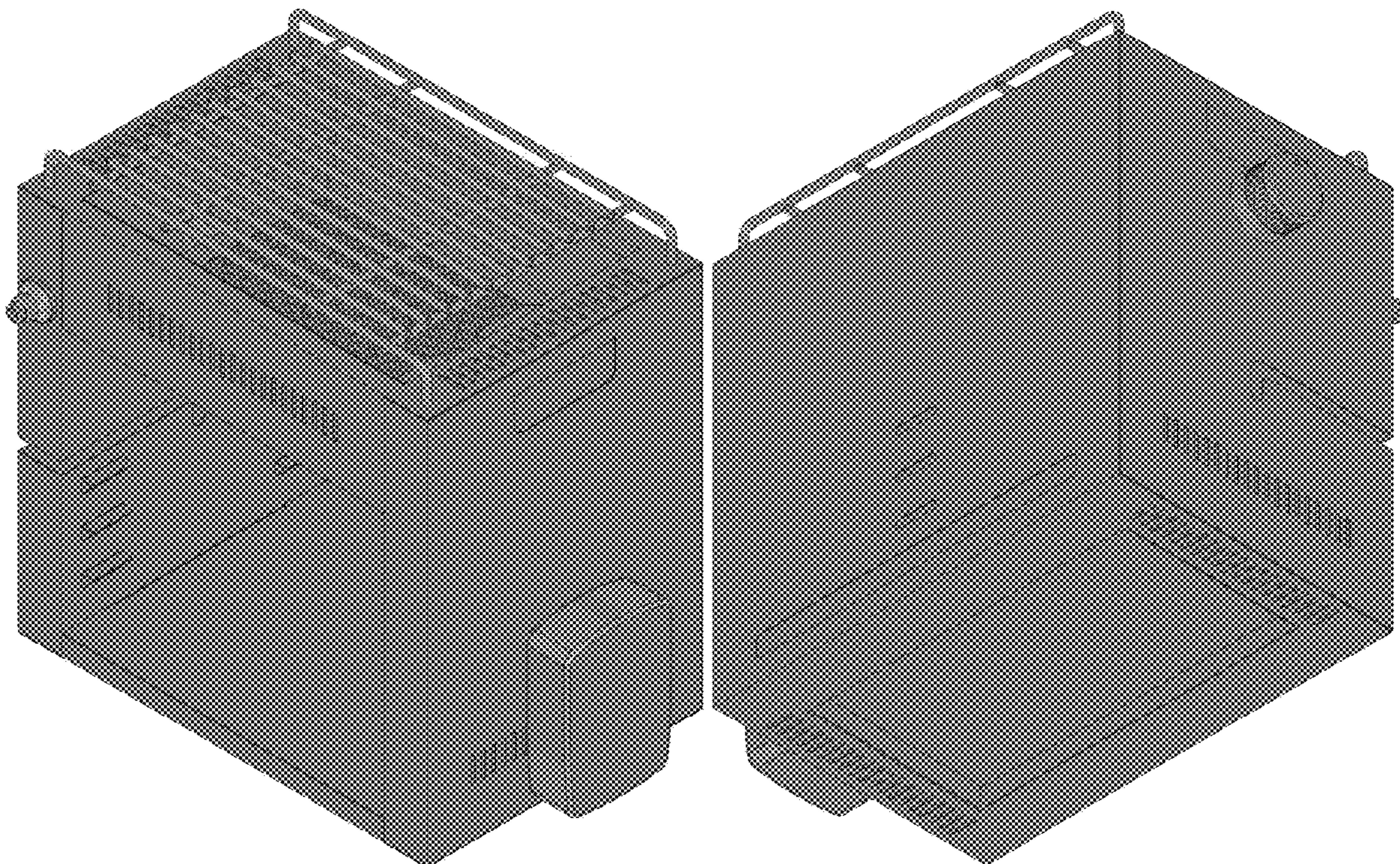
(57) **CLAIM**

The ornamental design for a roaster, as shown and described.

**DESCRIPTION**

FIG. 1 is a perspective view of a roaster showing my new design;  
FIG. 2 is another perspective view thereof;  
FIG. 3 is a front view thereof;  
FIG. 4 is a rear view thereof;  
FIG. 5 is a left side view thereof;  
FIG. 6 is a right side view thereof;  
FIG. 7 is a top view thereof; and,  
FIG. 8 is a bottom view thereof.

**1 Claim, 8 Drawing Sheets**



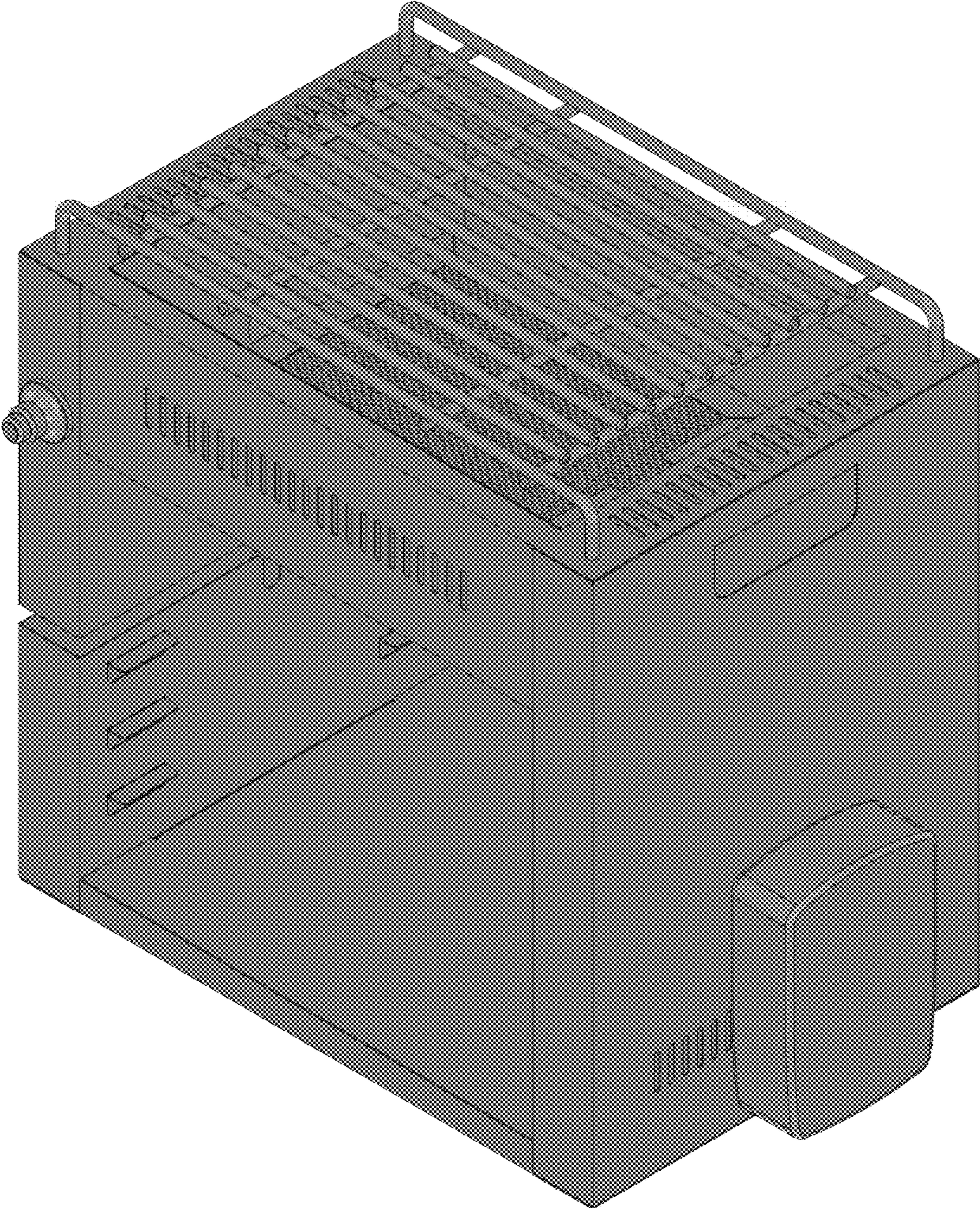


FIG.1

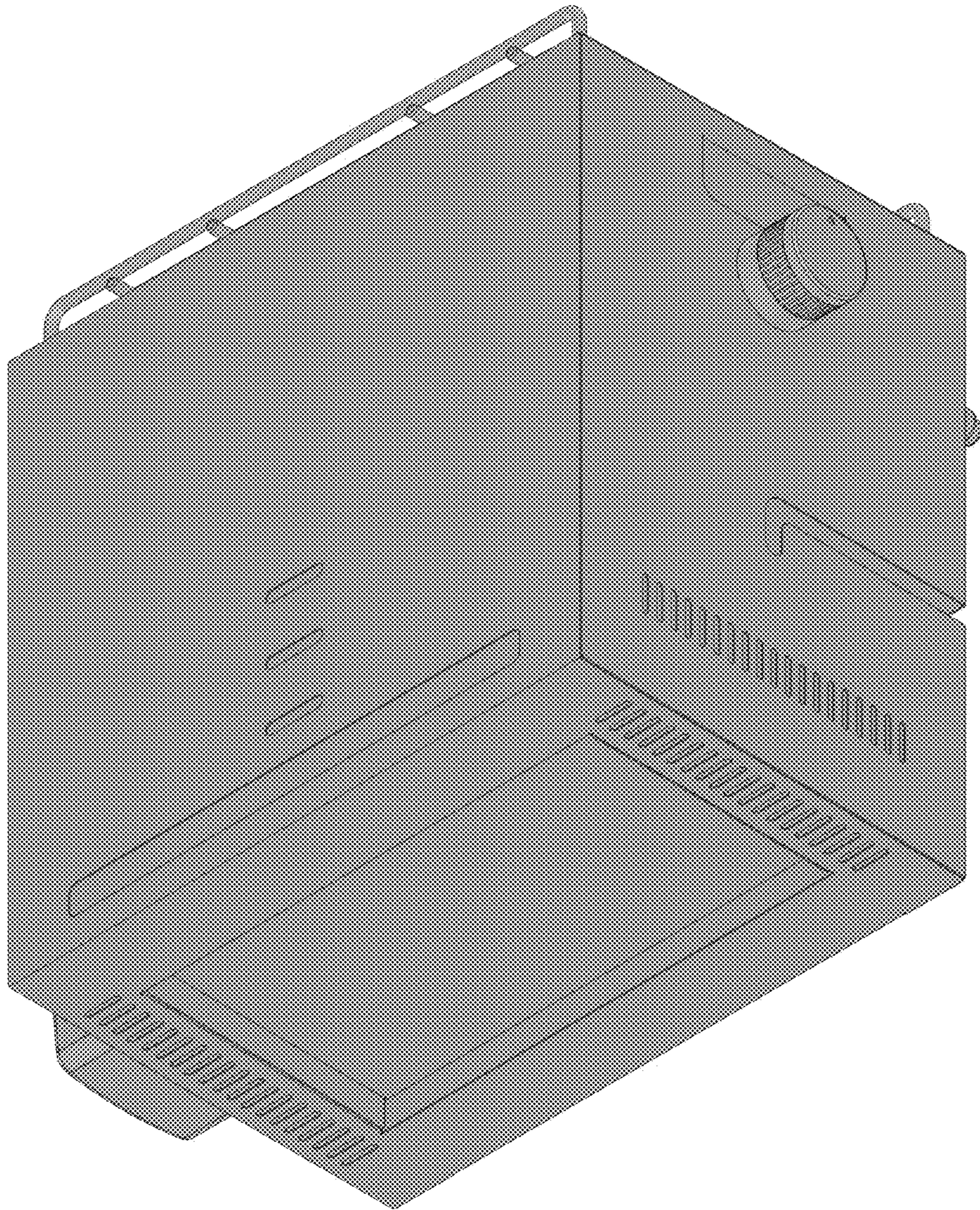


FIG.2

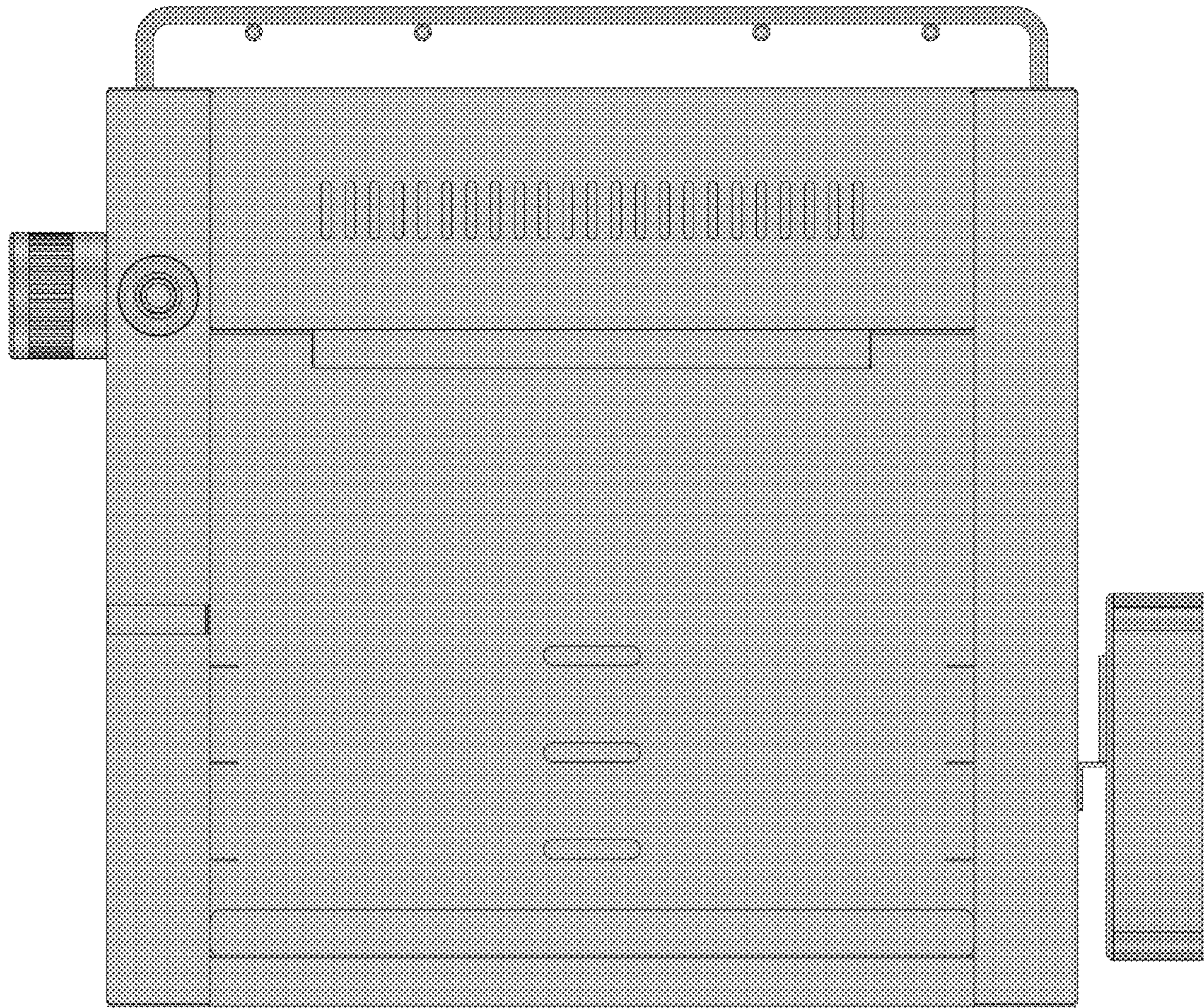


FIG.3

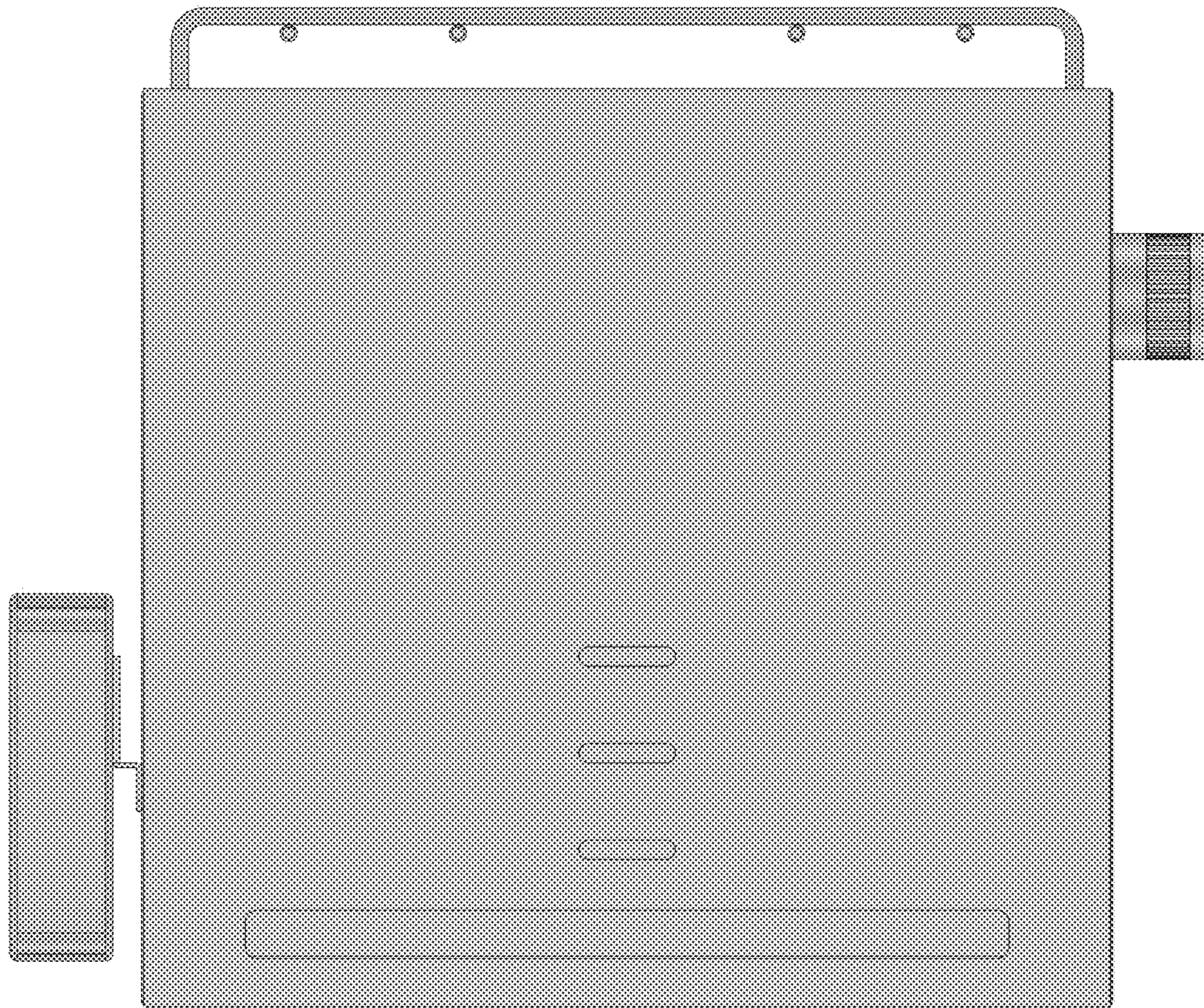


FIG.4

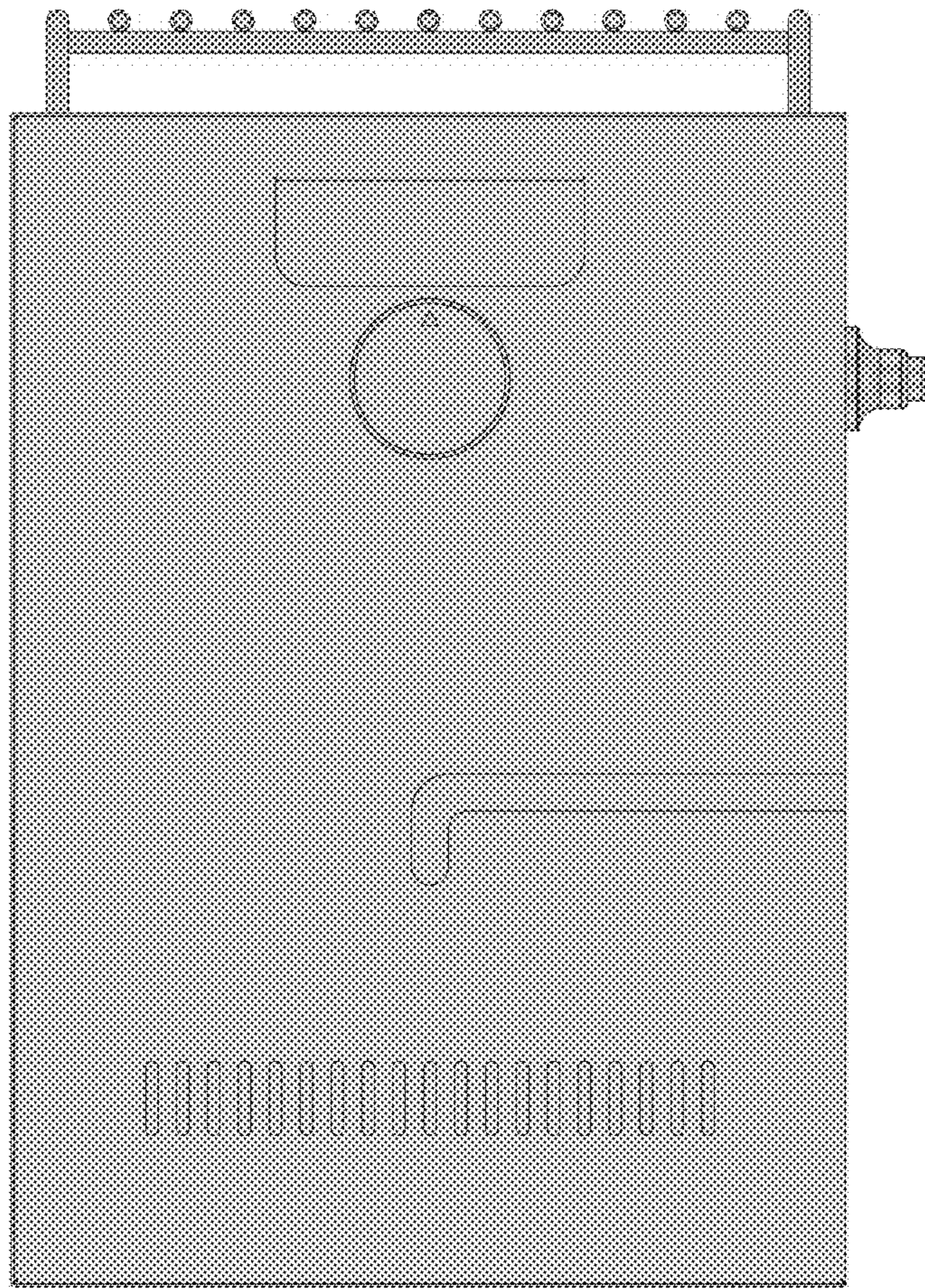


FIG. 5

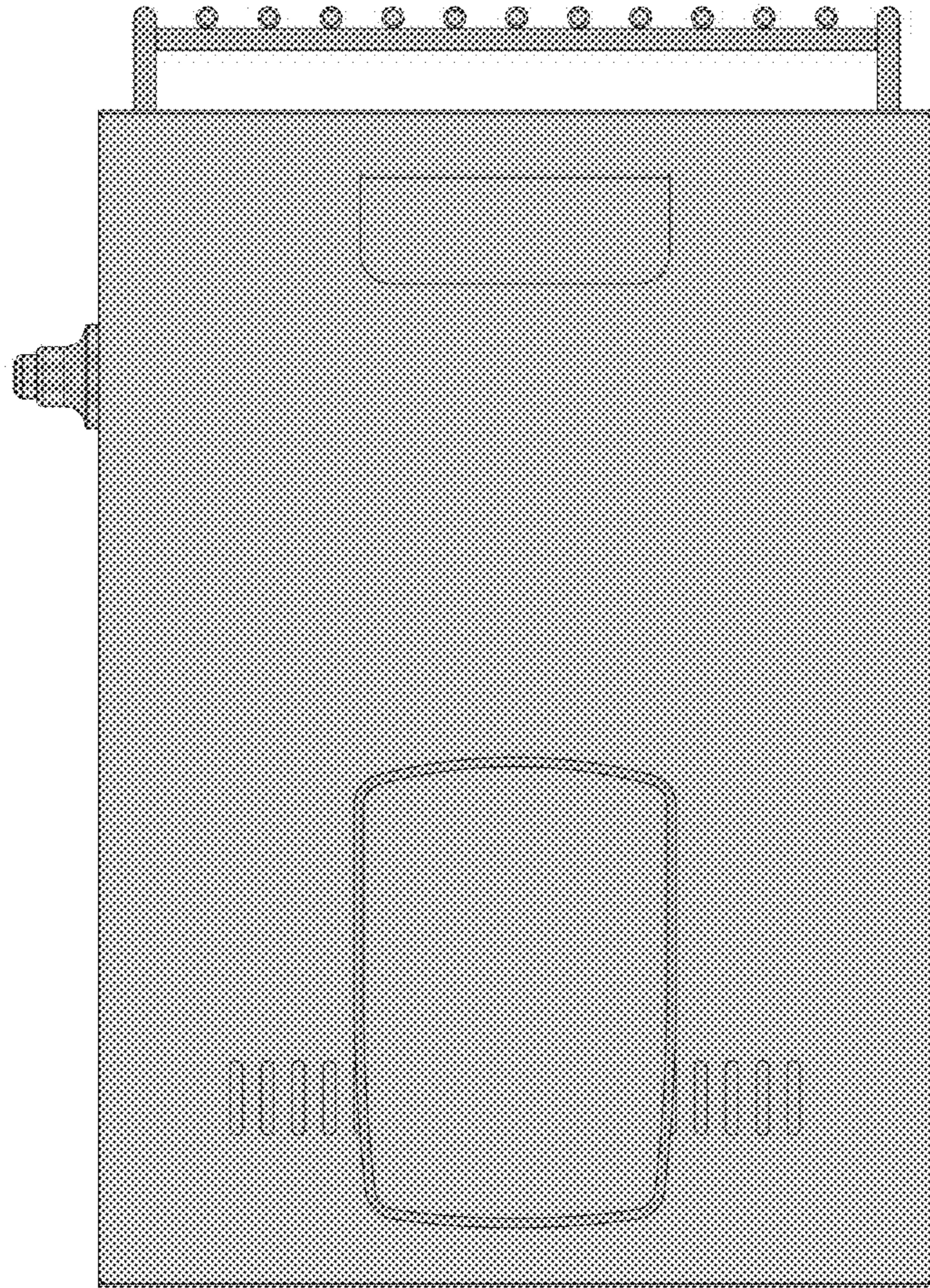


FIG.6

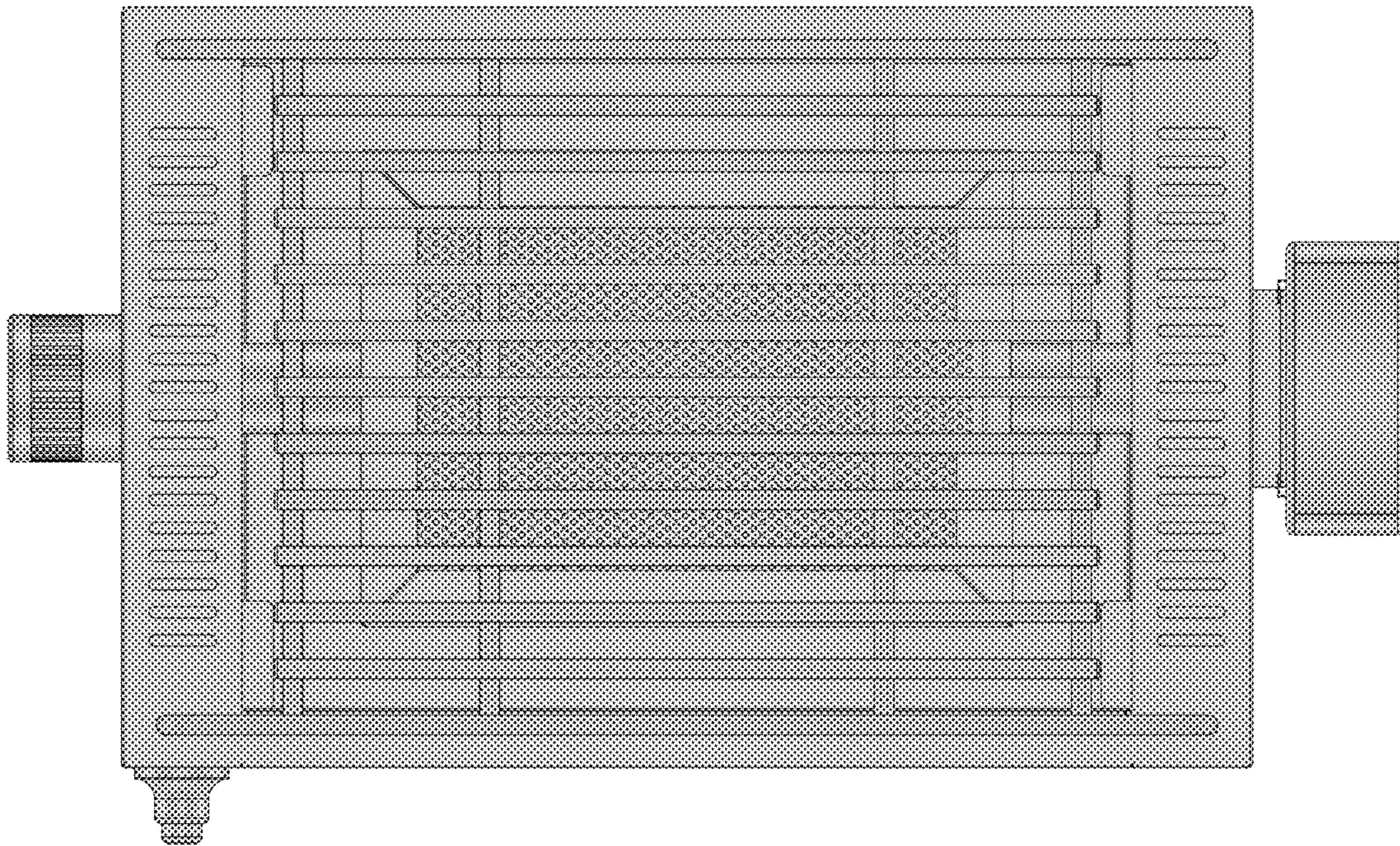


FIG.7





FIG.8