



US00D899840S

(12) **United States Design Patent**
Hellweg et al.

(10) **Patent No.:** **US D899,840 S**

(45) **Date of Patent:** **** Oct. 27, 2020**

(54) **BEVERAGE DISPENSER**

(71) Applicant: **Ratio, LLC**, Portland, OR (US)

(72) Inventors: **Mark R. Hellweg**, Portland, OR (US);
James S. Owen, Portland, OR (US);
Robin Peng, Sandy, UT (US)

(73) Assignee: **RATIO, LLC**, Portland, OR (US)

(**) Term: **15 Years**

(21) Appl. No.: **29/680,122**

(22) Filed: **Feb. 13, 2019**

(51) **LOC (12) Cl.** **07-01**

(52) **U.S. Cl.**
USPC **D7/306; D7/311; D7/397**

(58) **Field of Classification Search**
USPC D7/300, 309-311, 306-308, 305, 397,
D7/355, 362, 365, 367, 399; 222/146.6,
222/185.1, 135; 99/295, 323.1
CPC A47J 31/02; A47J 31/407; A47J 31/18;
A47J 31/061; A47J 31/4403; B67D
1/0869; B67D 1/0004; B67D 1/0036
See application file for complete search history.

(56) **References Cited**

U.S. PATENT DOCUMENTS

3,592,125	A	7/1971	Tolmie et al.	
D229,897	S	1/1974	Martin	
D234,114	S	1/1975	Gelak	
D235,015	S	4/1975	Stern	
D239,359	S	3/1976	Schmitt et al.	
D239,757	S	5/1976	Martin	
D240,386	S	7/1976	Stuetzer et al.	
D255,120	S	5/1980	Bardeau	
4,676,148	A	6/1987	Foley	
D300,596	S *	4/1989	Eugster	D7/309
D307,754	S	5/1990	Osrow et al.	
4,920,868	A	5/1990	Gehrmann	

D401,108	S	11/1998	Pochopien et al.	
D403,199	S	12/1998	Micoley	
D411,936	S	7/1999	Keffel	
6,269,735	B1	8/2001	Rolfes	
D461,357	S	8/2002	Harrison et al.	
D479,088	S	9/2003	Yao	
D488,663	S	4/2004	Price et al.	
D501,352	S	2/2005	Lin	
D502,841	S *	3/2005	Santer	D7/309
D582,698	S	12/2008	Miyanouchi	
D583,608	S	12/2008	Kato	
D585,693	S	2/2009	Wright	

(Continued)

OTHER PUBLICATIONS

“Kitchen Selectives Single Serve Drip Coffee Maker” <http://www.target.com/p/kitchen-selectives-single-serve-drip-coffee-maker-black-1-cup/-/A-12983034> (2 pages) Visited May 5, 2014.

(Continued)

Primary Examiner — Marianne N Pandozzi
(74) *Attorney, Agent, or Firm* — Stoel Rives LLP

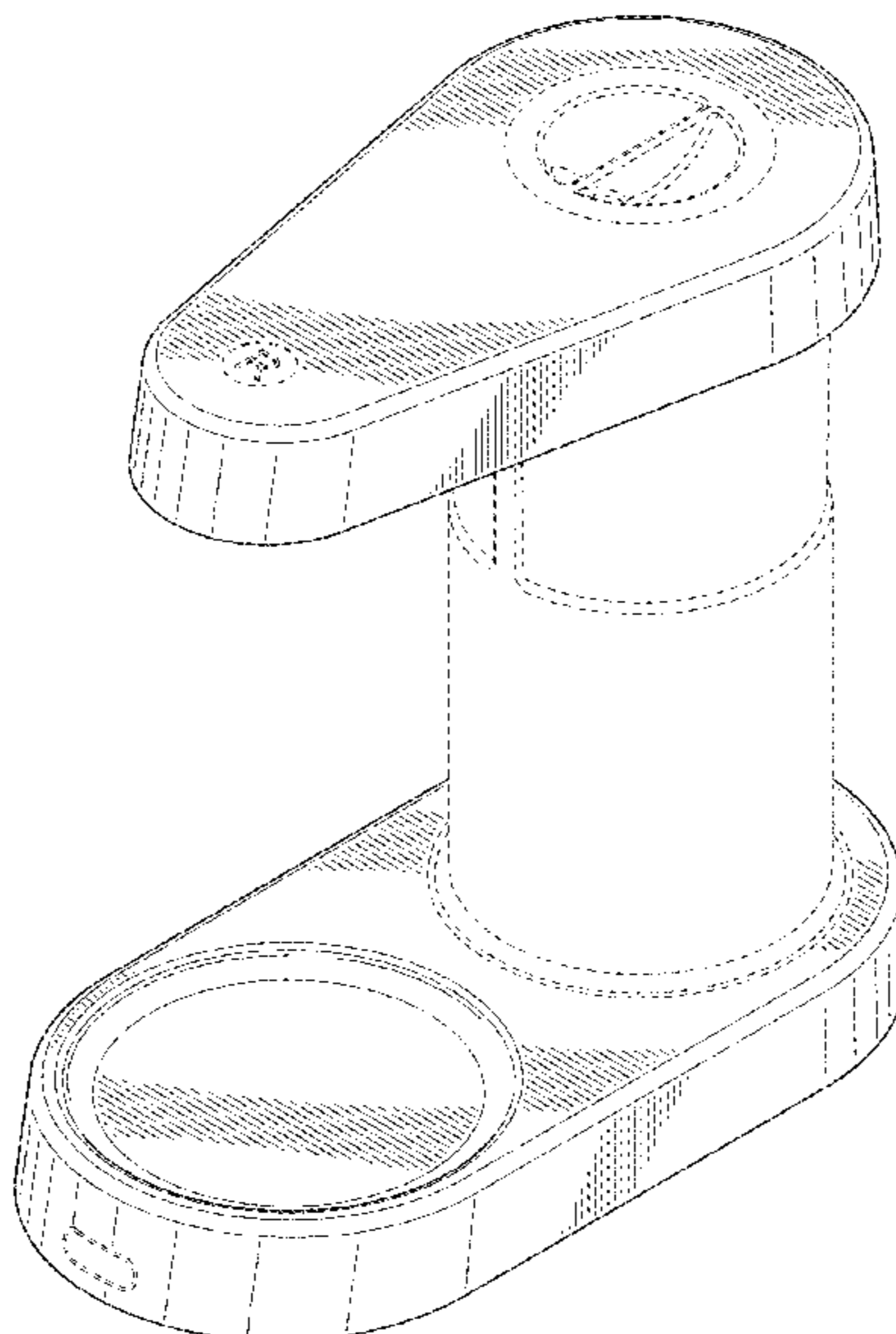
(57) **CLAIM**

We claim the ornamental design for a beverage dispenser, as shown and described.

DESCRIPTION

FIG. 1 is a top perspective view of a beverage dispenser showing the new design;
FIG. 2 is a bottom perspective view thereof;
FIG. 3 is a right side view thereof, the left side view being a mirror image;
FIG. 4 is a front end view thereof;
FIG. 5 is a rear end view thereof;
FIG. 6 is a top view thereof; and,
FIG. 7 is a bottom view thereof.
The broken lines in the figures depict portions of the beverage dispenser that form no part of the claimed design.

1 Claim, 4 Drawing Sheets



(56)

References Cited

U.S. PATENT DOCUMENTS

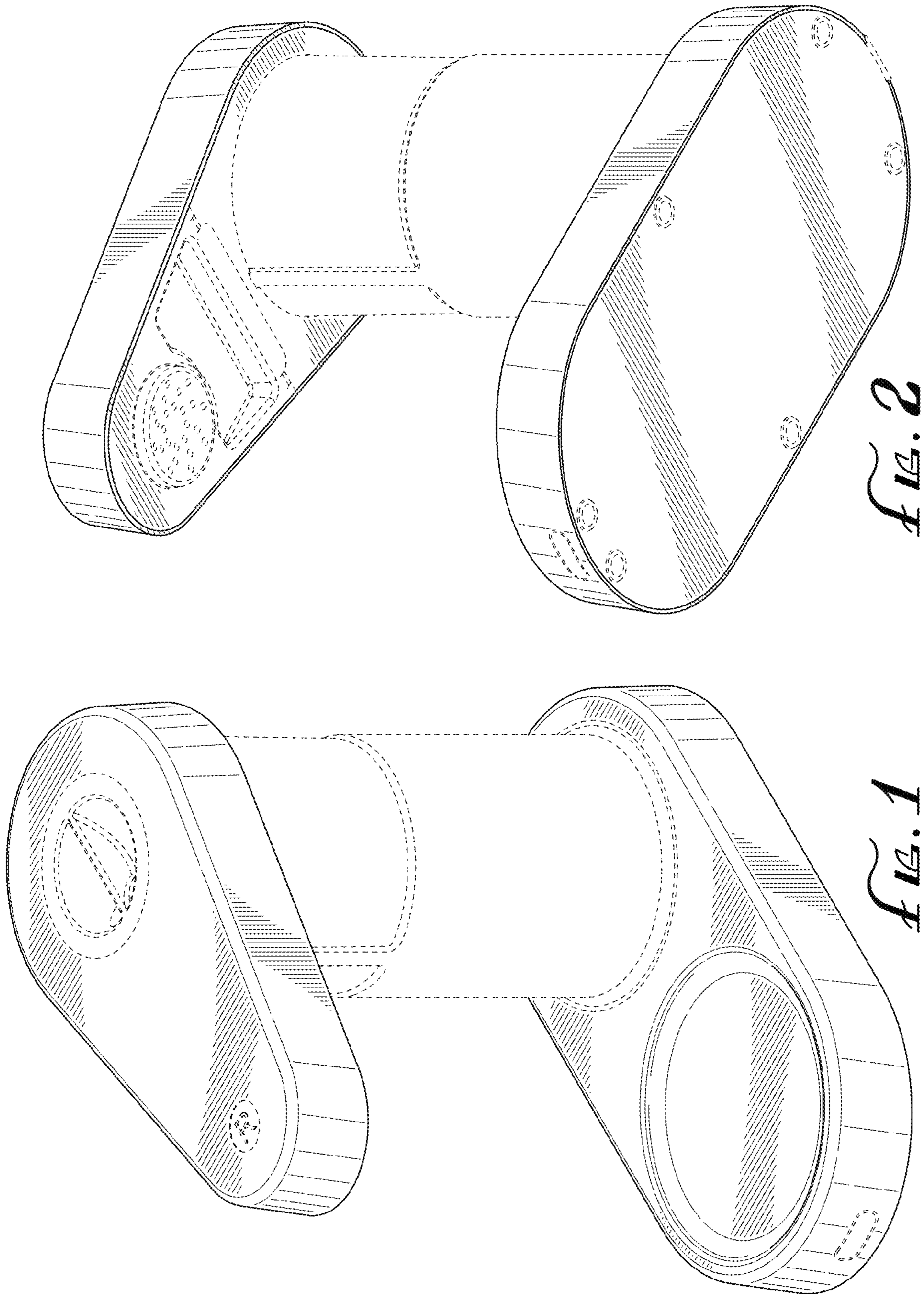
D590,652 S * 4/2009 Cesaroni D7/309
 D594,688 S 6/2009 Hammad et al.
 D597,368 S 8/2009 Steiner
 7,721,034 B2 5/2010 Wang et al.
 D647,750 S 11/2011 Duncan et al.
 D672,187 S * 12/2012 Milewski D7/306
 D683,421 S * 5/2013 Choi D23/207
 D702,984 S 4/2014 Hanneson et al.
 D704,495 S 5/2014 Carden
 D718,564 S 12/2014 Ragot
 D726,479 S 4/2015 Andreesen
 D739,168 S * 9/2015 Hellweg D7/309
 D721,247 S 11/2015 Manly et al.
 D755,576 S * 5/2016 Mayer D7/624.1
 D760,010 S * 6/2016 Hellweg D7/309
 D765,455 S * 9/2016 de Gooijer D7/309
 D825,244 S * 8/2018 Bodum D7/309
 D838,531 S * 1/2019 Bodum D7/309
 D843,765 S * 3/2019 Fedorak D7/306
 D856,058 S * 8/2019 Szabo D7/306

D867,047 S * 11/2019 McConnell D7/310
 D879,534 S * 3/2020 Donaghey D7/306
 2008/0115674 A1 5/2008 Huang et al.
 2014/0242224 A1 8/2014 Glucksman et al.

OTHER PUBLICATIONS

“Zojirushi EC-DAC50 Zutto™ Coffee Maker” <http://wowshopper.com/coffee-maker/zojirushi-zutto-coffee-maker.htm> (2 pages), Visited May 22, 2014.
 “Technivorm Moccamaster products, Home-use brewers” (from the Internet Archive captured Dec. 2012) <https://web.archive.org/web/20121226182840/http://www.technivorm.com/products> (5 pages) Visited Sep. 21, 2015.
 “Wilfa Precision Coffee Maker” <http://www.williams-sonoma.com/products/wilfa-precision-coffee-maker/> (4 pages) Visited Oct. 23, 2015.
 “OXO Barista Brain 9-Cup Coffee Maker” and “OXO Barista Brain 12-Cup Coffee Brewing System” <http://www.oxo.com/products/small-appliances/coffee-tea> (8 pages) Visited Oct. 29, 2015.

* cited by examiner



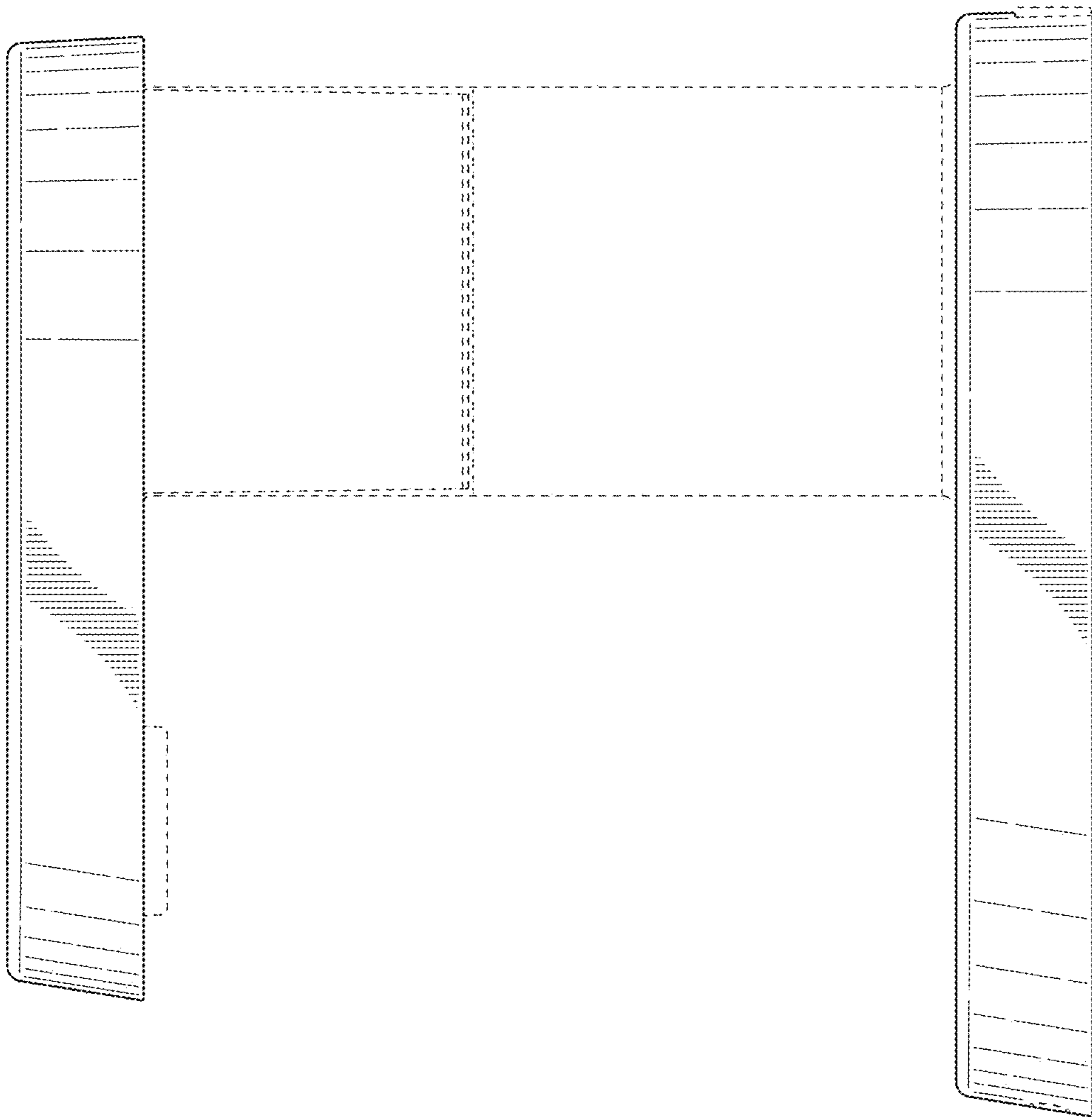


FIG. 3

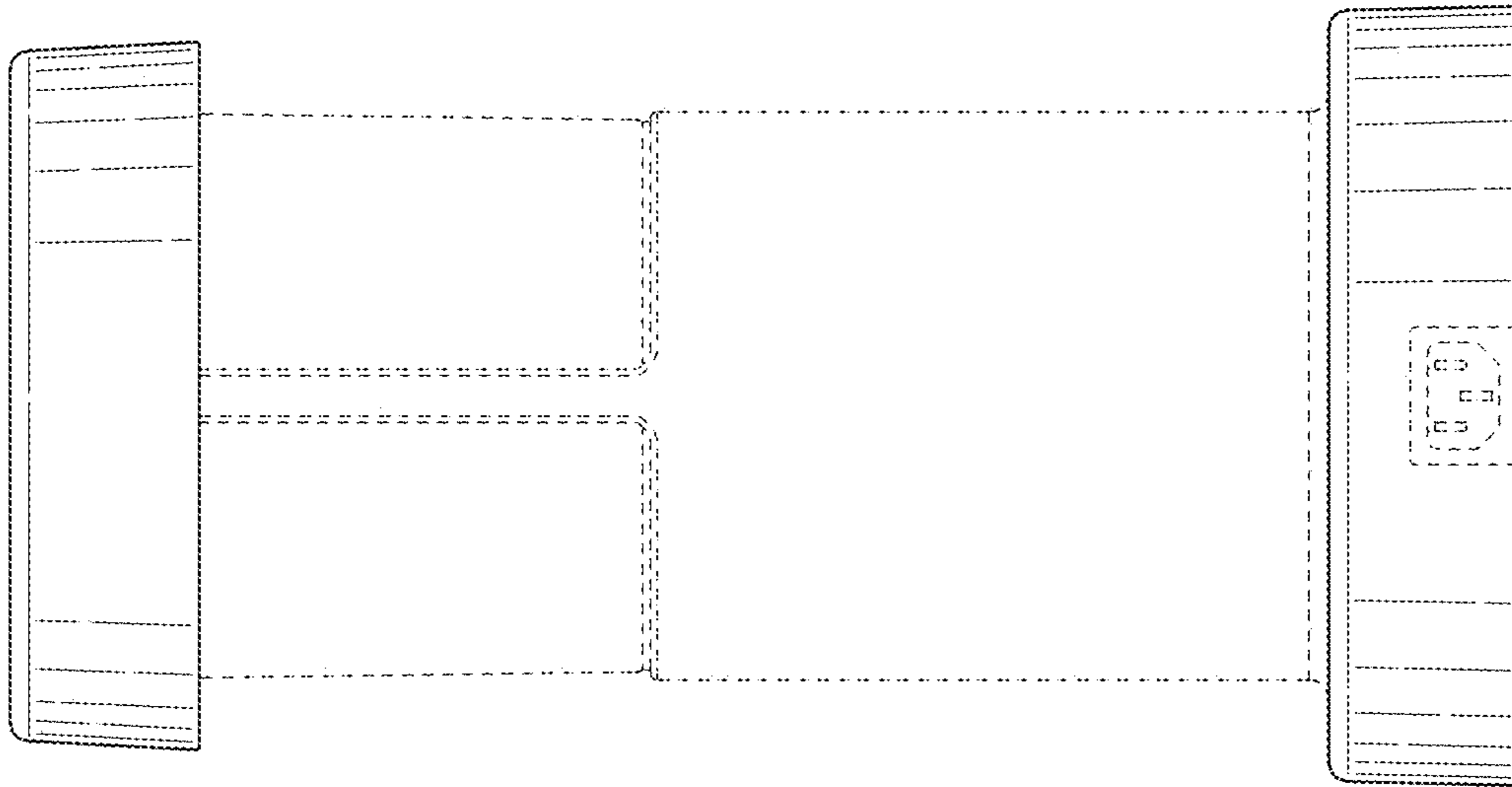


FIG. 5

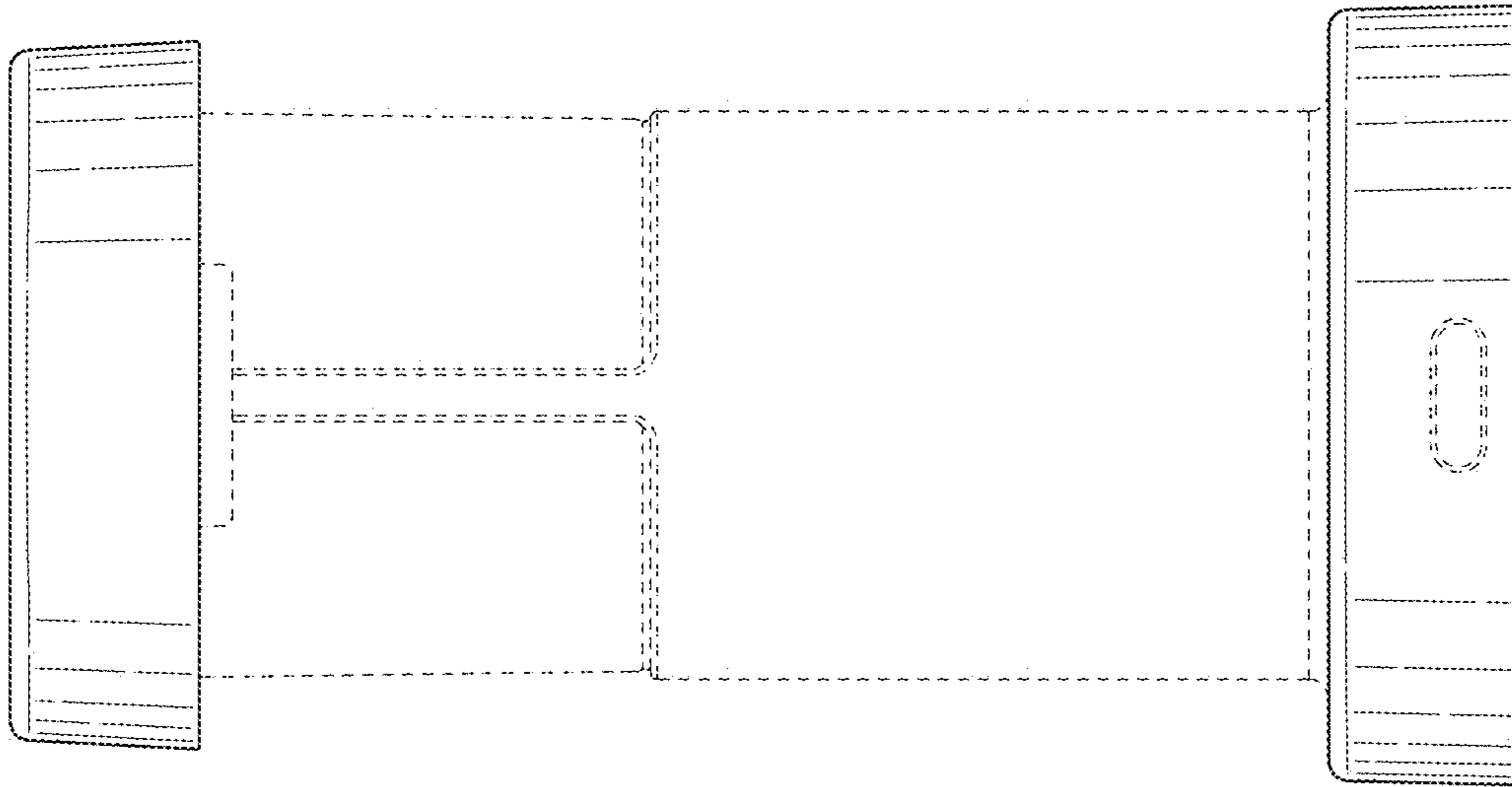


FIG. 4

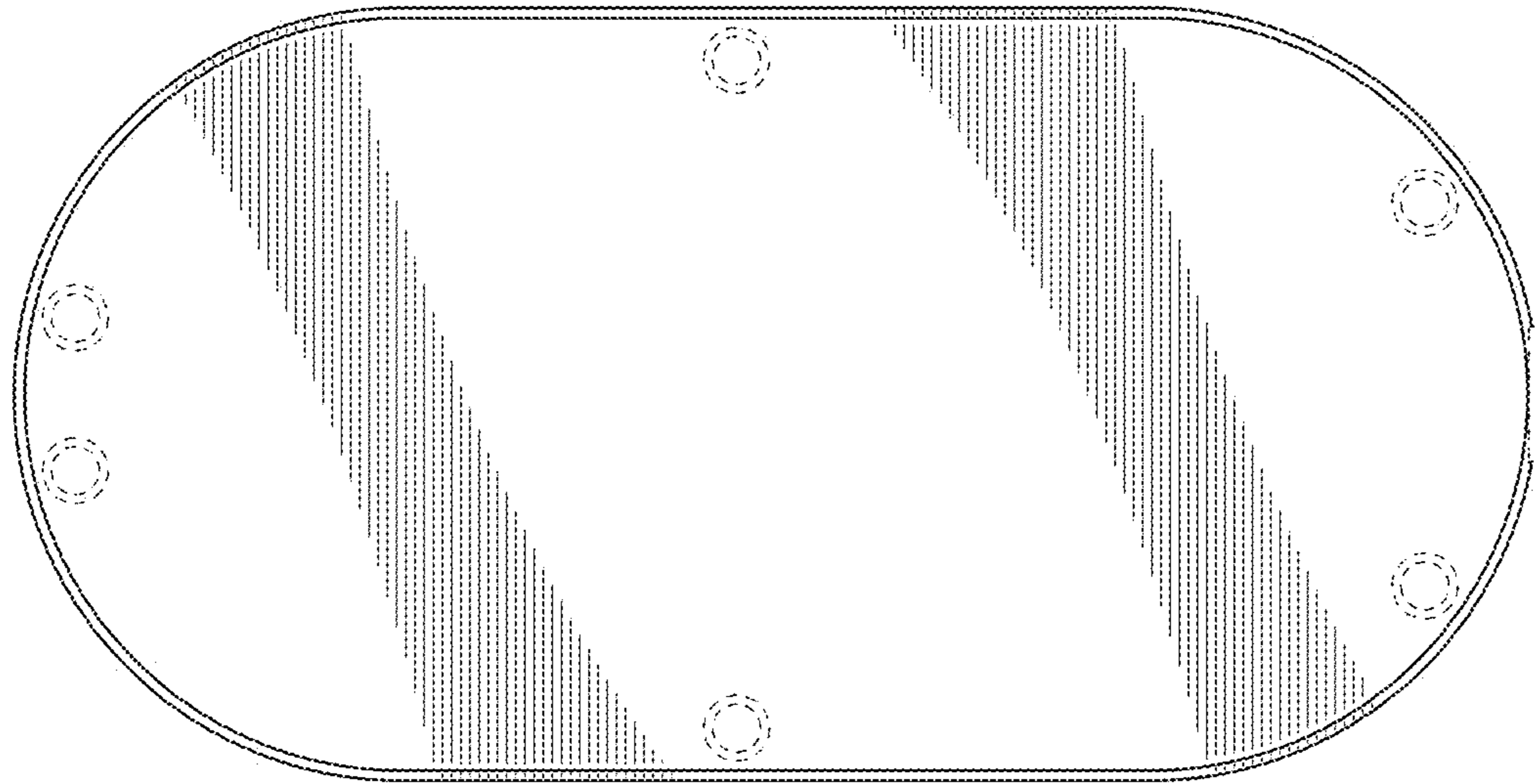


FIG. 7

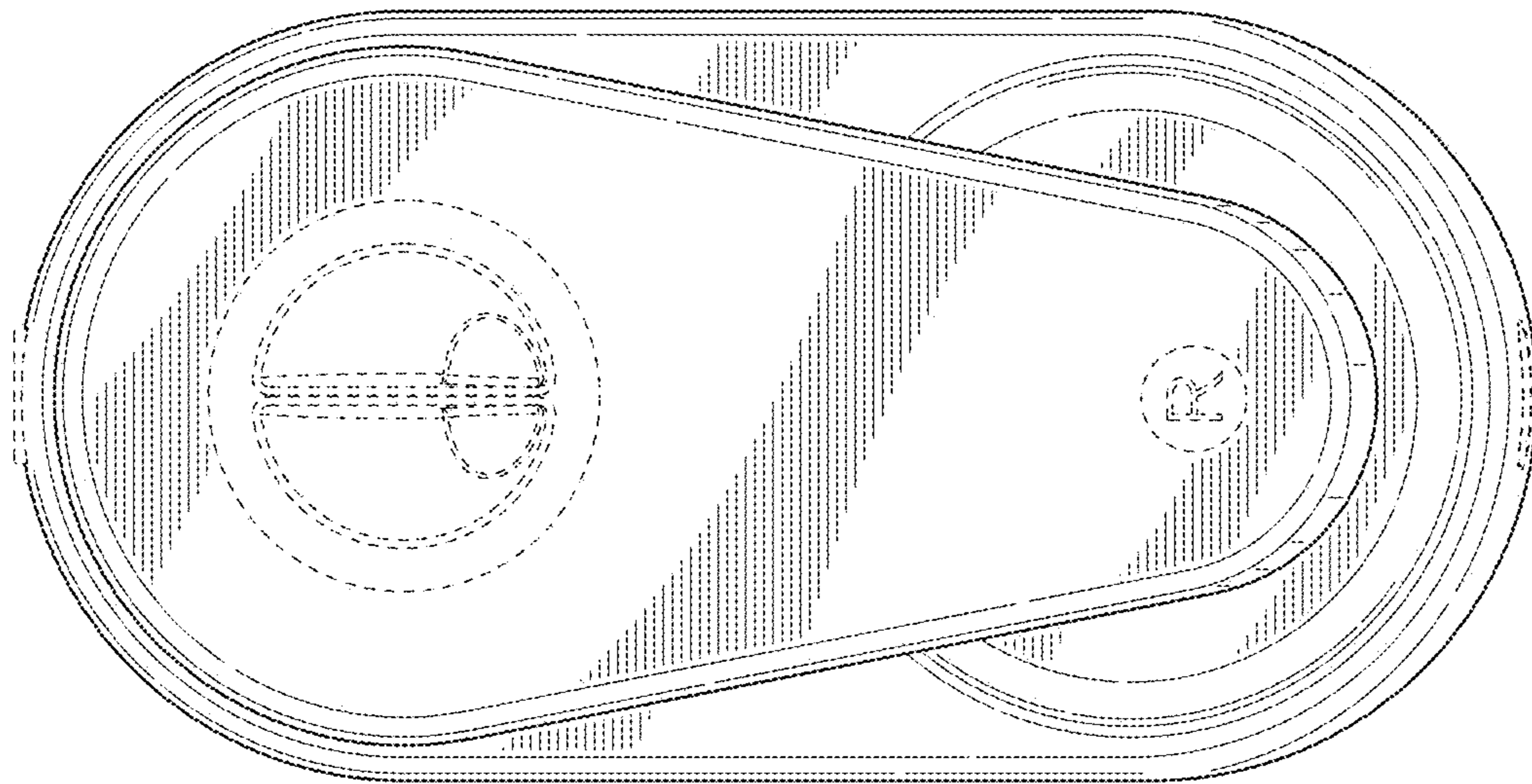


FIG. 8