



US00D899838S

(12) **United States Design Patent** (10) **Patent No.:** **US D899,838 S**  
**Zou** (45) **Date of Patent:** **\*\* Oct. 27, 2020**

(54) **STRAW**  
(71) Applicant: **Qingdao Ecopure Filter Co., Ltd,**  
Qingdao (CN)  
(72) Inventor: **Zhibin Zou,** Qingdao (CN)  
(73) Assignee: **QINGDAO ECOPURE FILTER CO.,**  
**LTD,** Jimo, Qingdao (CN)  
(\*\*) Term: **15 Years**  
(21) Appl. No.: **29/685,468**  
(22) Filed: **Mar. 28, 2019**  
(51) **LOC (12) Cl.** ..... **07-06**  
(52) **U.S. Cl.**  
USPC ..... **D7/300.2; D7/300**  
(58) **Field of Classification Search**  
USPC ..... **D7/300.2, 300, 301, 635; D23/207;**  
D27/101  
CPC ..... **A47G 21/18; A47G 21/187; A61J 7/0038;**  
B65D 2517/004  
See application file for complete search history.

D828,623 S \* 9/2018 Fornarelli ..... D27/194  
D834,414 S \* 11/2018 Moore ..... D9/449  
D837,155 S \* 1/2019 Yamada ..... D13/120  
D845,702 S \* 4/2019 Wilson, Sr. .... D7/396.2  
D847,568 S \* 5/2019 Hartnett ..... D7/505  
D853,193 S \* 7/2019 Hartnett ..... D7/505  
D861,976 S \* 10/2019 Sudlow ..... D27/167  
D869,747 S \* 12/2019 Stone ..... D27/101  
D870,366 S \* 12/2019 Lavanchy ..... D27/101  
D878,517 S \* 3/2020 Zou ..... D23/209  
D878,671 S \* 3/2020 Stone ..... D27/101  
D879,528 S \* 3/2020 Pepper ..... D7/300.2  
2008/0237080 A1\* 10/2008 Andrews ..... A47G 21/18  
206/527  
2015/0150394 A1\* 6/2015 Chai ..... B65D 75/5872  
220/705

(Continued)

*Primary Examiner* — Karen S Acker  
*Assistant Examiner* — Steven B Reinholdt, Jr.  
(74) *Attorney, Agent, or Firm* — Muncy, Geissler, Olds &  
Lowe, PC

(57) **CLAIM**

The ornamental design for a straw, as shown and described.

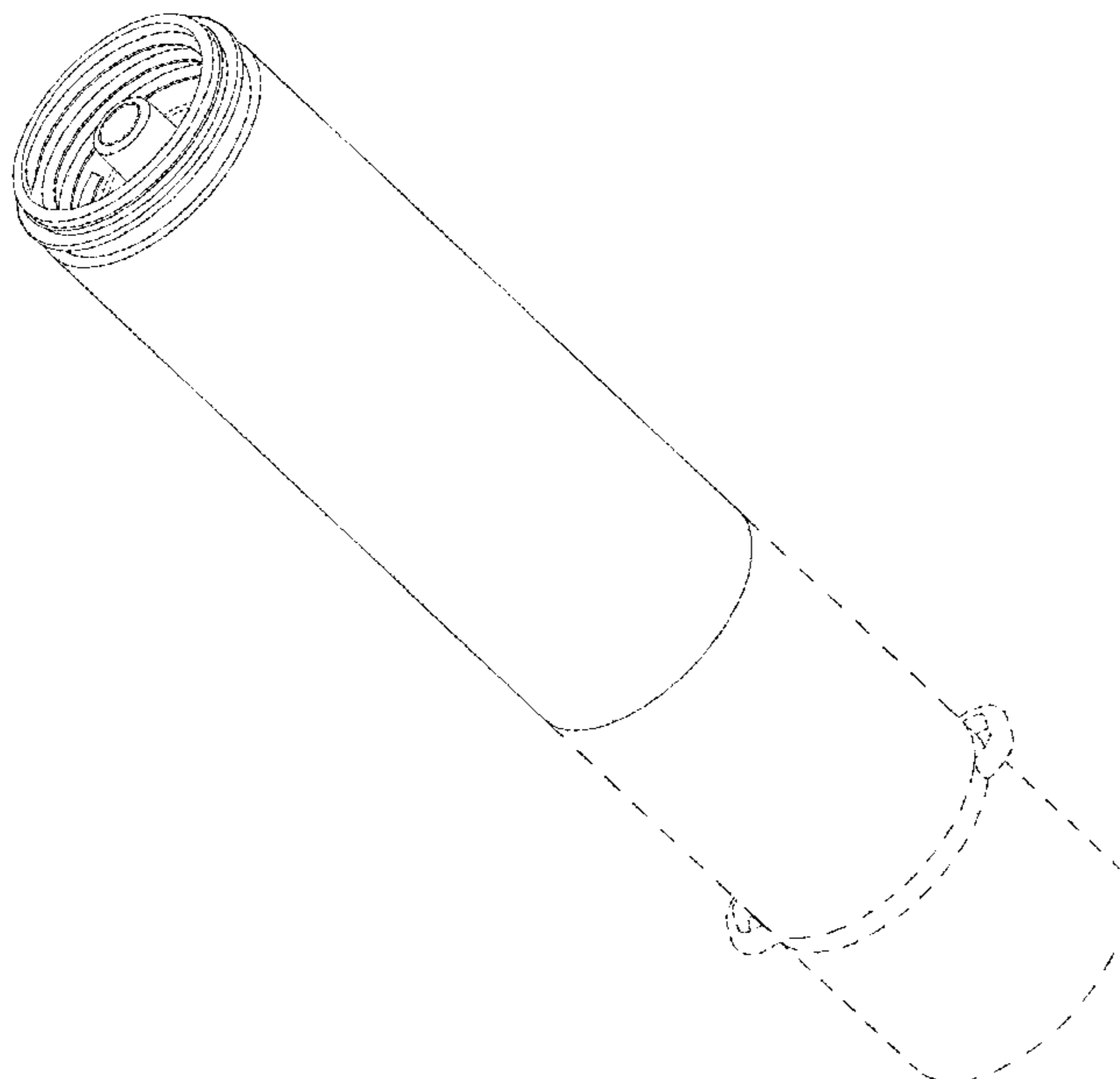
**DESCRIPTION**

FIG. 1 is a front elevational view of a straw showing my new design;  
FIG. 2 is a rear elevational view thereof;  
FIG. 3 is a left side view thereof;  
FIG. 4 is a right side view thereof;  
FIG. 5 is an enlarged top plan view thereof;  
FIG. 6 is an enlarged bottom plan view thereof; and,  
FIG. 7 is perspective view thereof.  
The evenly spaced broken lines and the areas within them depict portions of the straw that form no part of the claimed design. The dot-dash-dot broken lines in FIGS. 6 and 7 denote the boundaries of the claim and form no part thereof.

**1 Claim, 7 Drawing Sheets**

(56) **References Cited**  
U.S. PATENT DOCUMENTS

D376,579 S \* 12/1996 Bunyea ..... D13/103  
D389,364 S \* 1/1998 Vallarella ..... D26/38  
D401,901 S \* 12/1998 Bunyea ..... D13/119  
D498,967 S \* 11/2004 White ..... D7/300.2  
D587,953 S \* 3/2009 Aliberti ..... D7/300.2  
D655,036 S \* 2/2012 Zhou ..... D27/101  
D739,598 S \* 9/2015 Lavanchy ..... D27/100  
D750,835 S \* 3/2016 Wei ..... D27/101  
D797,369 S \* 9/2017 Yamada ..... D27/101  
D813,155 S \* 3/2018 Yamada ..... D13/103  
D814,102 S \* 3/2018 Lehoux ..... D27/101  
D817,540 S \* 5/2018 Yamada ..... D27/101  
D819,264 S \* 5/2018 Mykhaylovych ..... D27/101  
D825,835 S \* 8/2018 Verleur ..... D27/101



(56)

**References Cited**

U.S. PATENT DOCUMENTS

2016/0121058 A1\* 5/2016 Chen ..... A24F 47/008  
128/200.19  
2016/0135502 A1\* 5/2016 Wang ..... A24F 47/008  
131/329  
2016/0144458 A1\* 5/2016 Boldrini ..... B23K 37/0211  
228/176  
2016/0150821 A1\* 6/2016 Liu ..... A24F 47/008  
131/329  
2016/0183593 A1\* 6/2016 Liu ..... H05B 3/03  
392/386  
2018/0235390 A1\* 8/2018 Lehmann ..... A47G 21/18  
2019/0254928 A1\* 8/2019 Moessinger ..... A61J 7/0038  
2019/0307274 A1\* 10/2019 Hsu ..... A47G 21/18  
2020/0054157 A1\* 2/2020 Wu ..... A47G 21/18  
2020/0069095 A1\* 3/2020 Suetsugu ..... A47G 21/18  
2020/0107661 A1\* 4/2020 Lin ..... A47G 21/18

\* cited by examiner

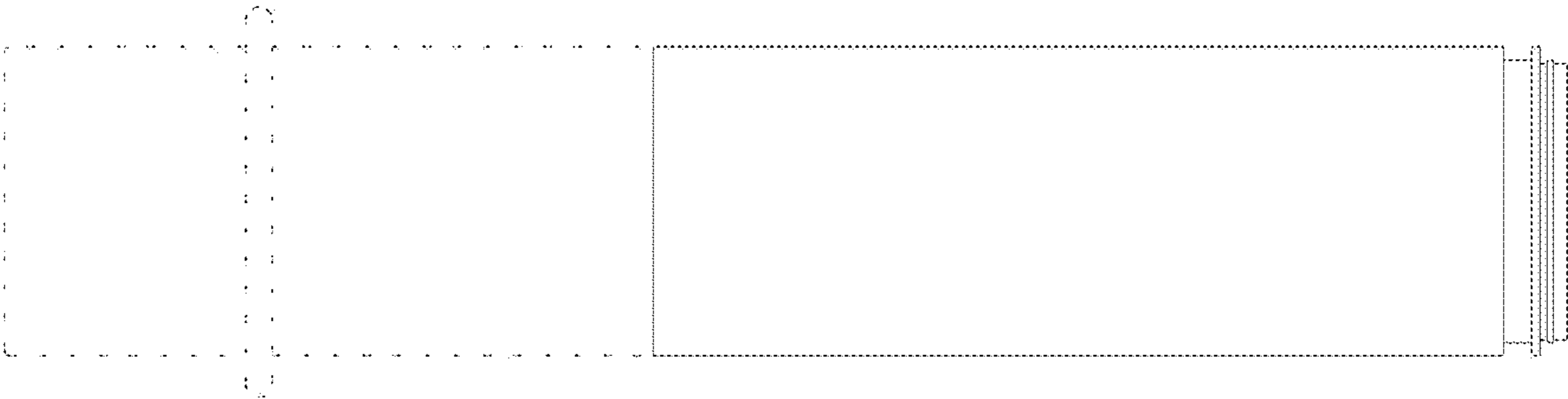
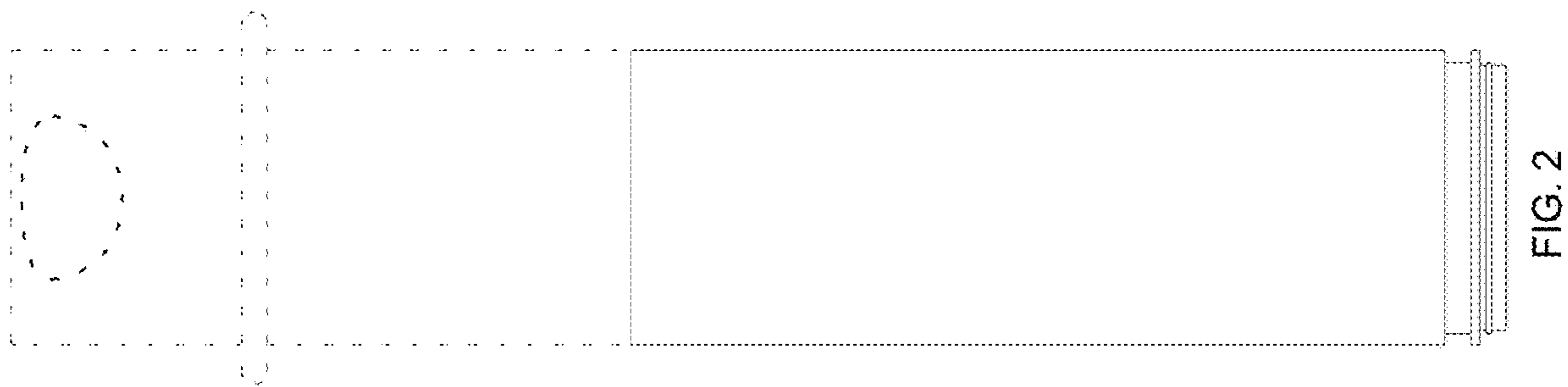


FIG. 1



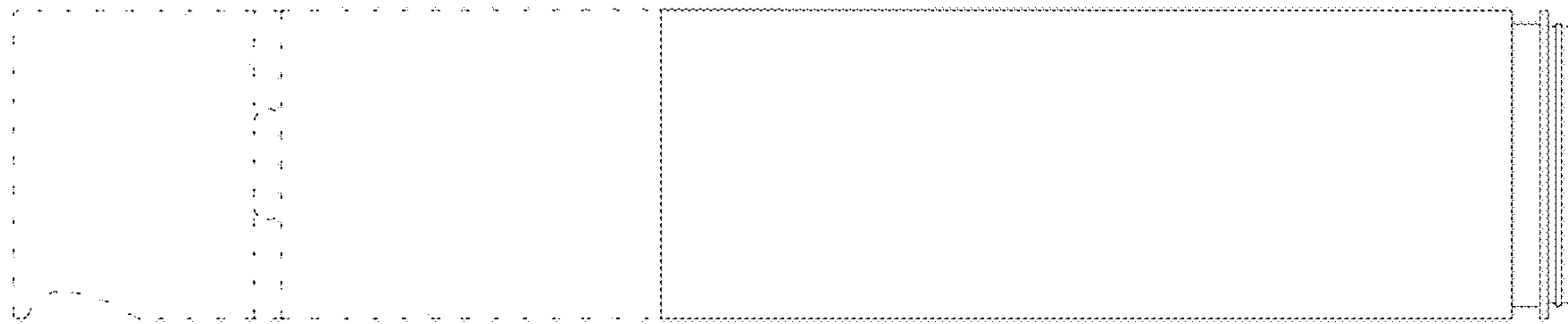


FIG. 3

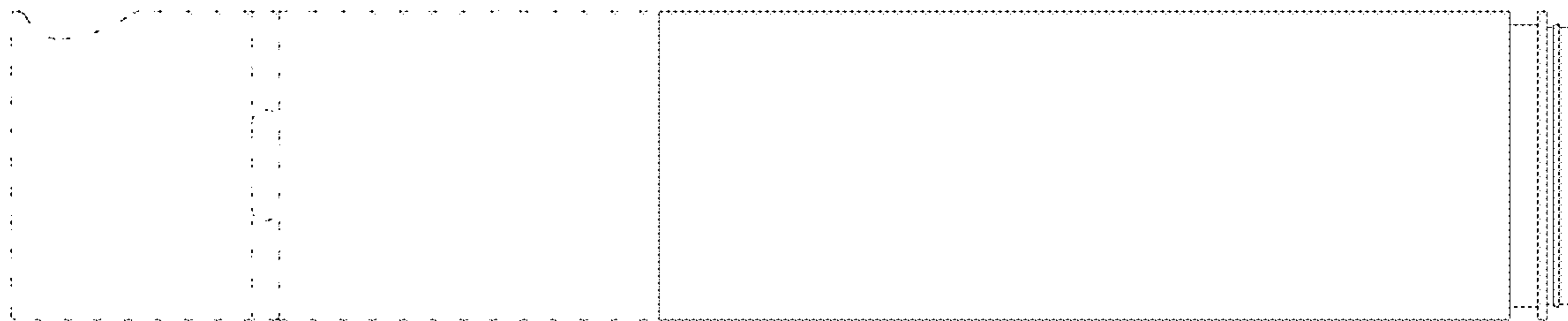


FIG. 4

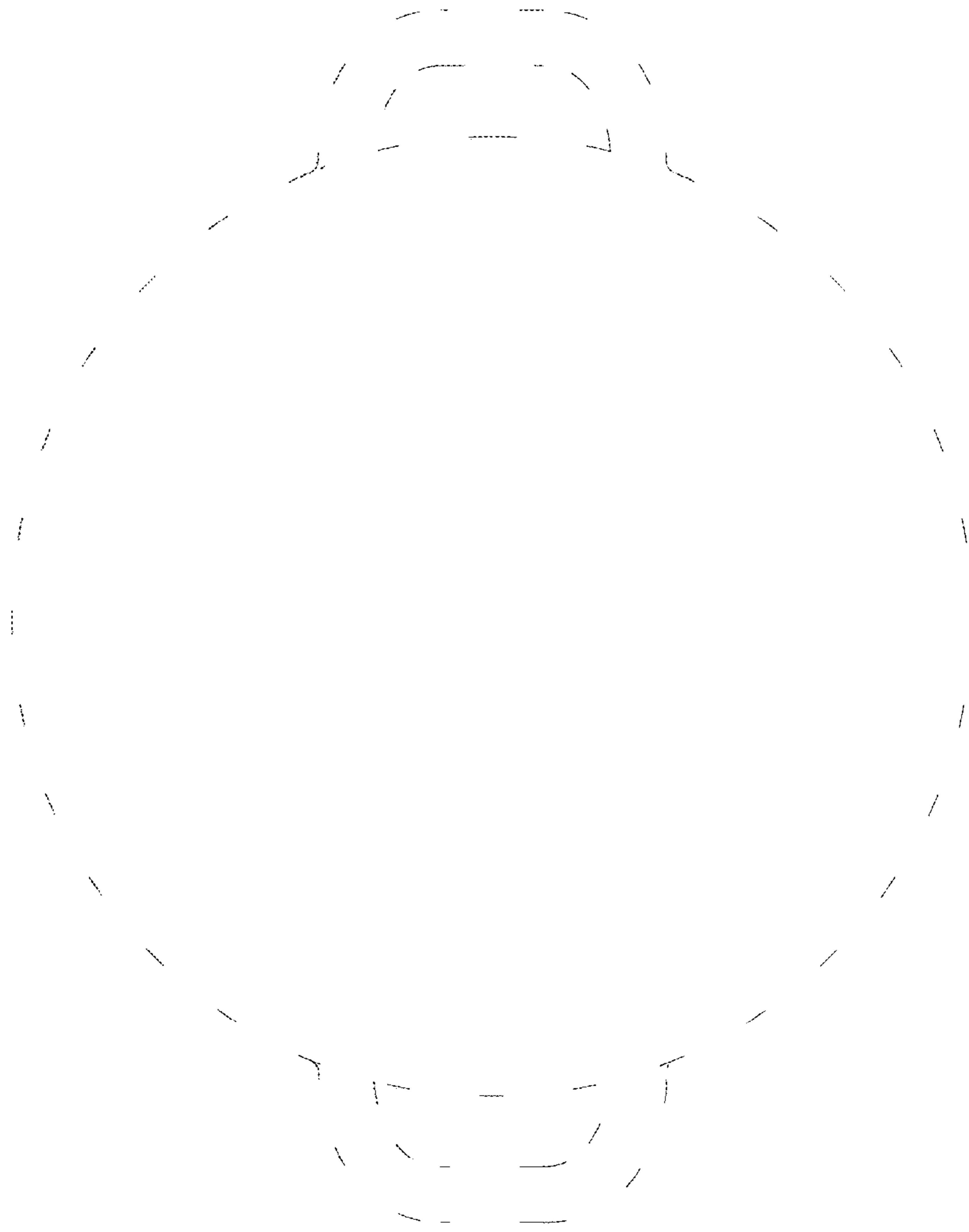


FIG. 5

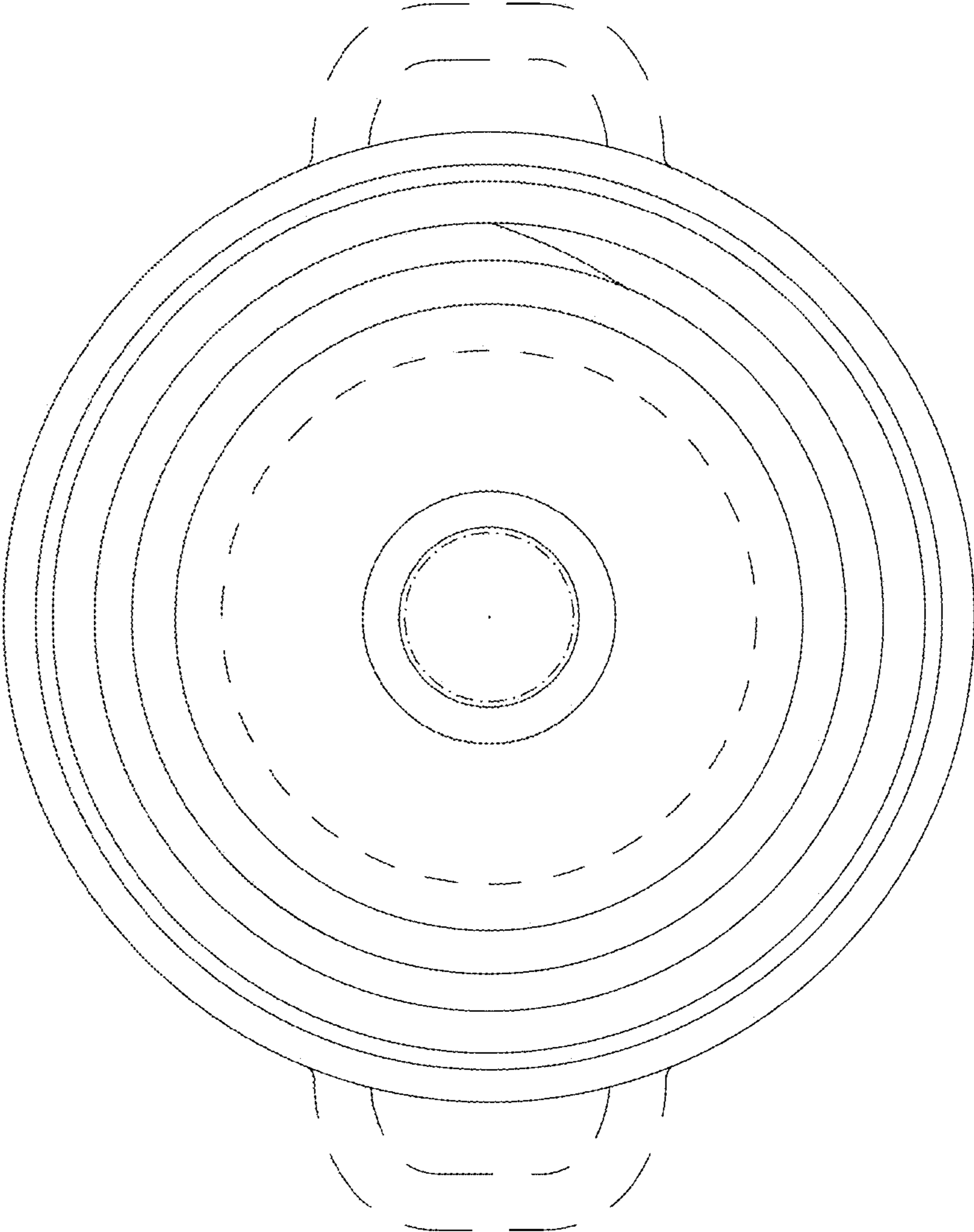


FIG. 6



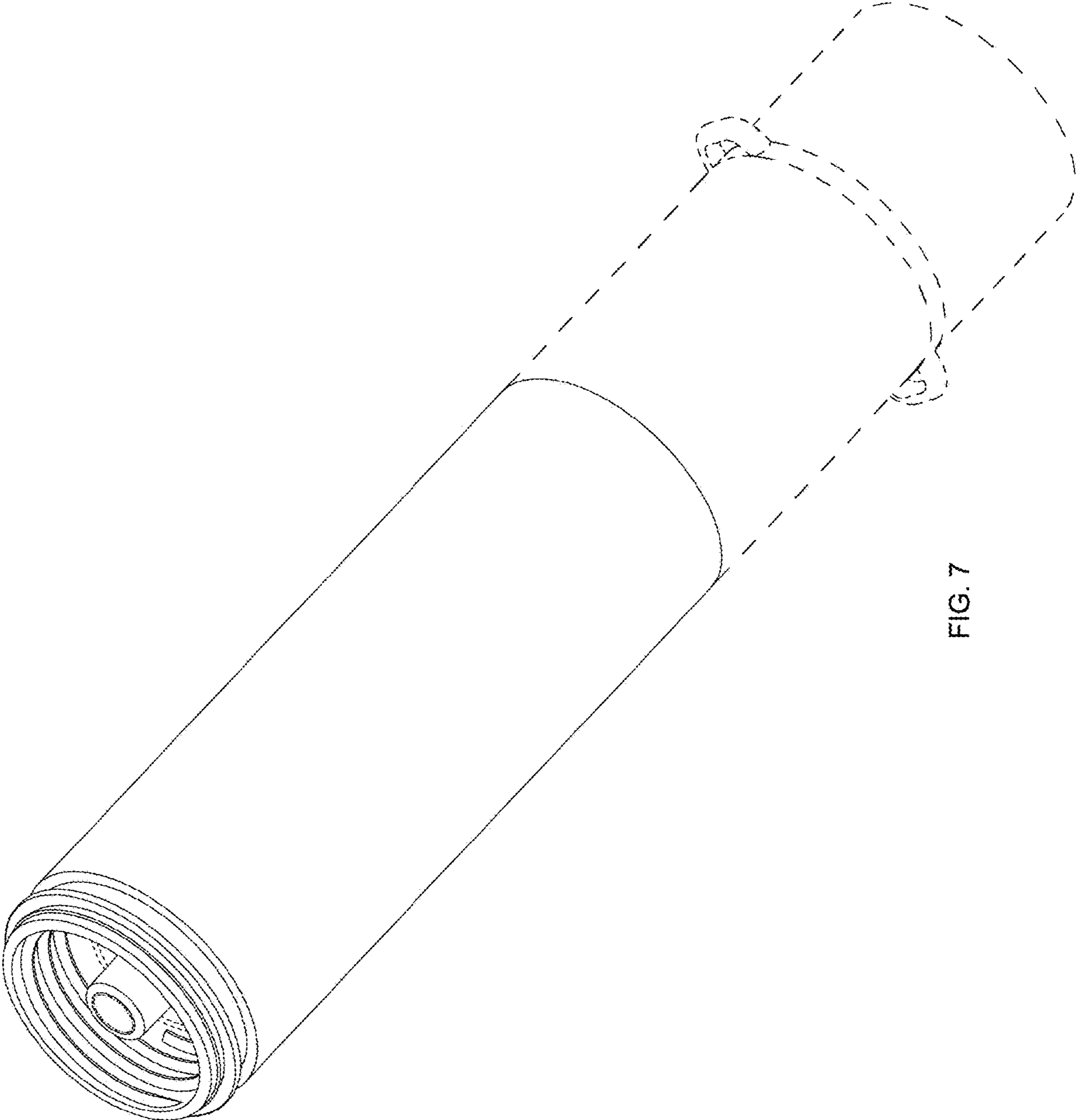


FIG. 7