



US00D899837S

(12) **United States Design Patent**
Chu et al.

(10) **Patent No.:** **US D899,837 S**

(45) **Date of Patent:** **** Oct. 27, 2020**

(54) **SEAT FOR A CHAIR**

D862,101 S * 10/2019 Song D6/356

(71) Applicants: **Zoocy Chia-Tien Chu**, Byron Center, MI (US); **Douglas Pan**, Tainan (TW)

* cited by examiner

(72) Inventors: **Zoocy Chia-Tien Chu**, Byron Center, MI (US); **Douglas Pan**, Tainan (TW)

Primary Examiner — Mimosa De

(74) *Attorney, Agent, or Firm* — Alan D. Kamrath; Mayer & Williams PC

(**) Term: **15 Years**

(21) Appl. No.: **29/682,228**

(57) **CLAIM**

(22) Filed: **Mar. 4, 2019**

The ornamental design for the seat for a chair, as shown and described.

(51) **LOC (12) Cl.** **06-01**

(52) **U.S. Cl.**

USPC **D6/716.1**

(58) **Field of Classification Search**

USPC D6/334-336, 364, 365, 366, 367, 374, D6/379, 716, 716.1, 716.4, 601

CPC A47C 7/004; A47C 7/006; A47C 7/18; A47C 7/24; A47C 7/38; A47C 7/40; A47C 7/46; A47C 7/54

See application file for complete search history.

DESCRIPTION

FIG. 1 is a perspective view of the seat for a chair showing my new design;

FIG. 2 is a front elevation view thereof;

FIG. 3 is a rear elevation view thereof;

FIG. 4 is a left side elevation view thereof;

FIG. 5 is a right side elevation view thereof;

FIG. 6 is a top plan view thereof; and,

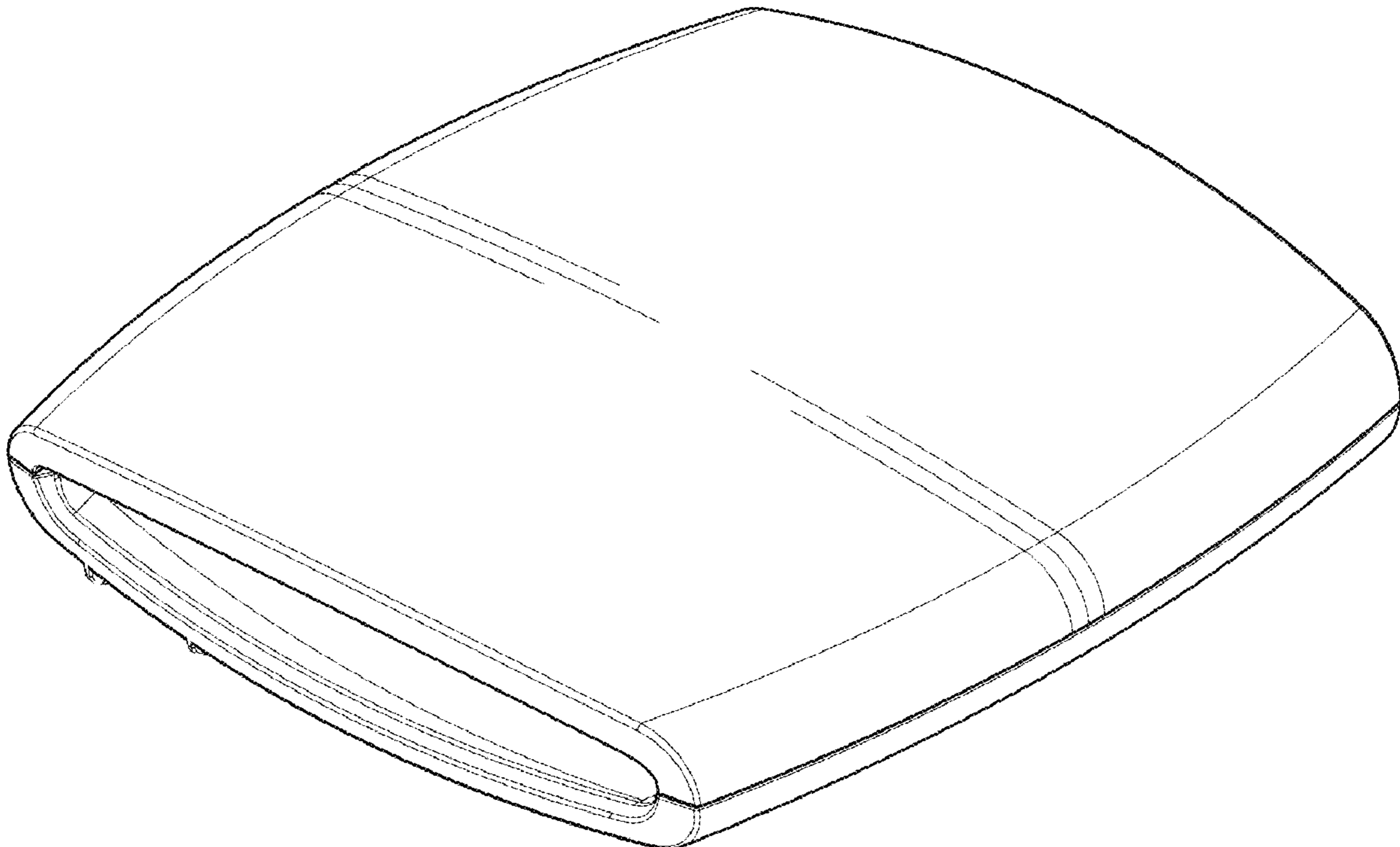
FIG. 7 is a bottom plan view thereof.

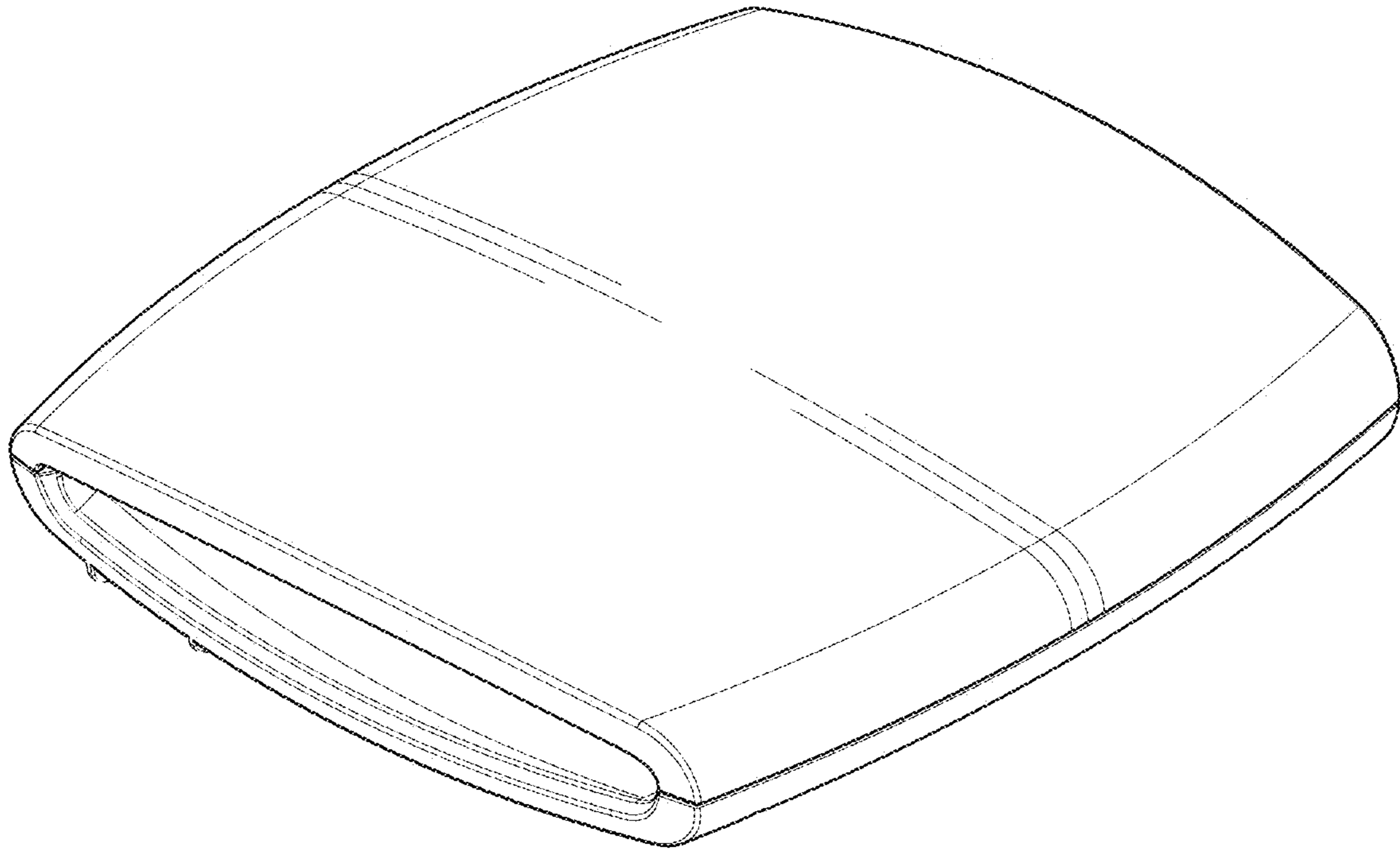
(56) **References Cited**

U.S. PATENT DOCUMENTS

D818,742 S * 5/2018 Bell D6/601

1 Claim, 7 Drawing Sheets





F I G . 1

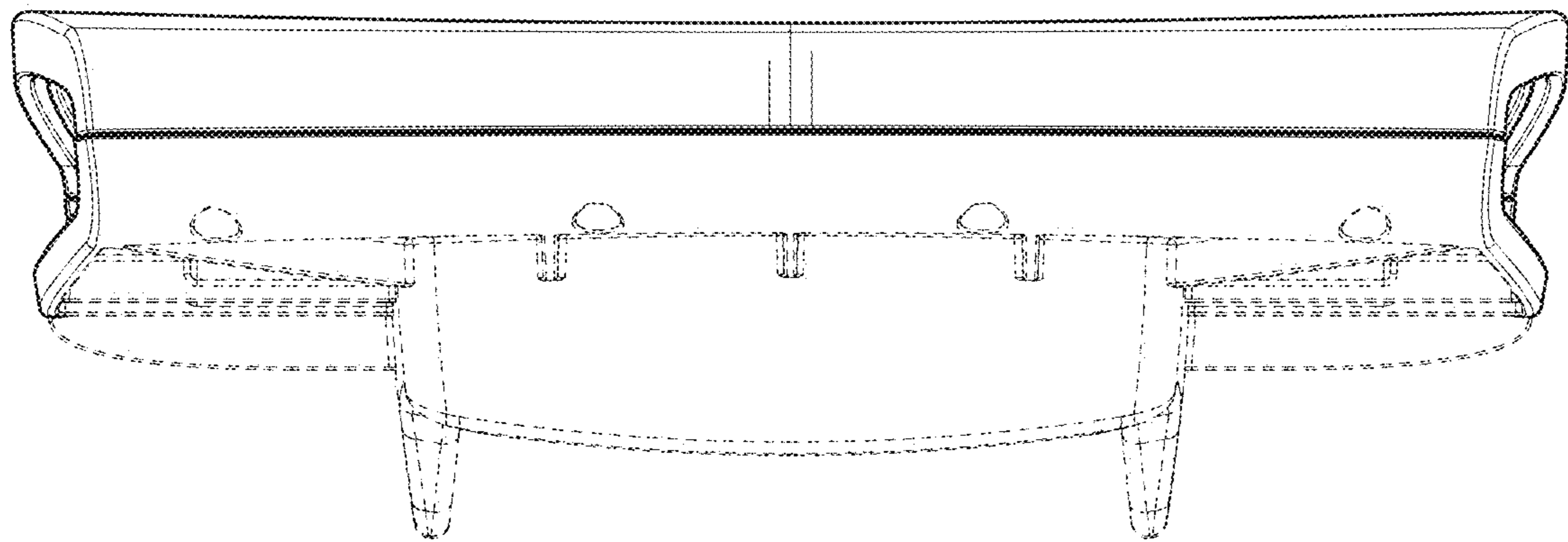


FIG. 2

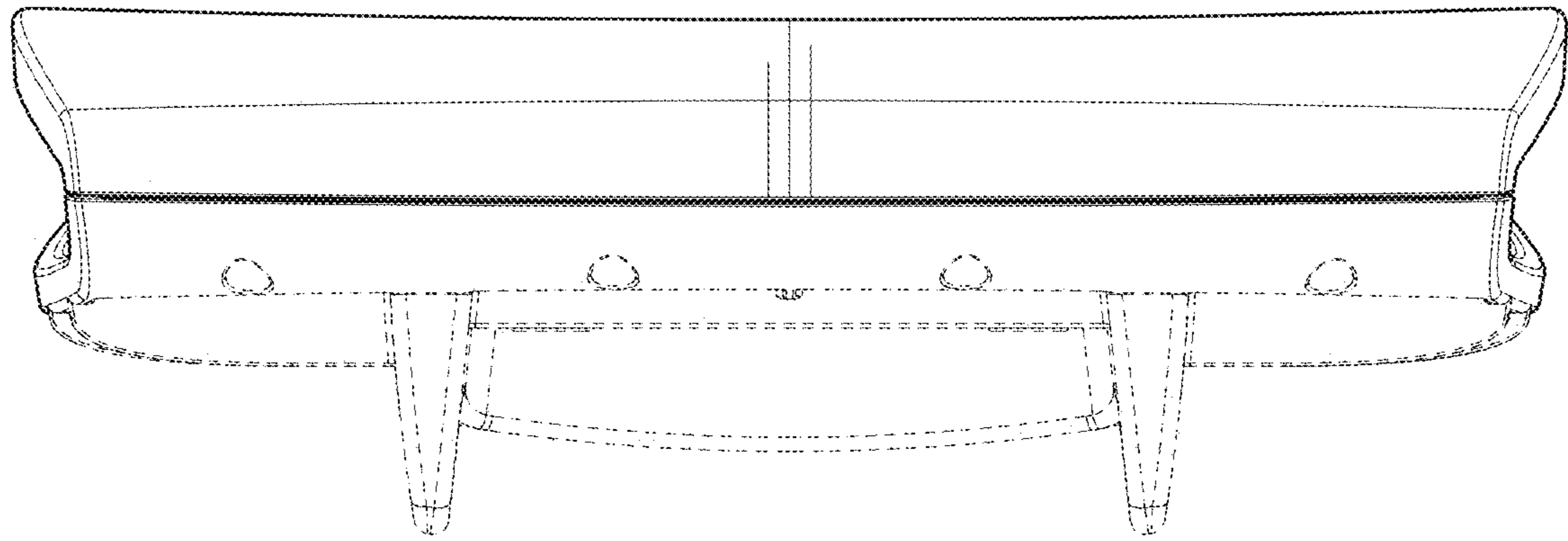
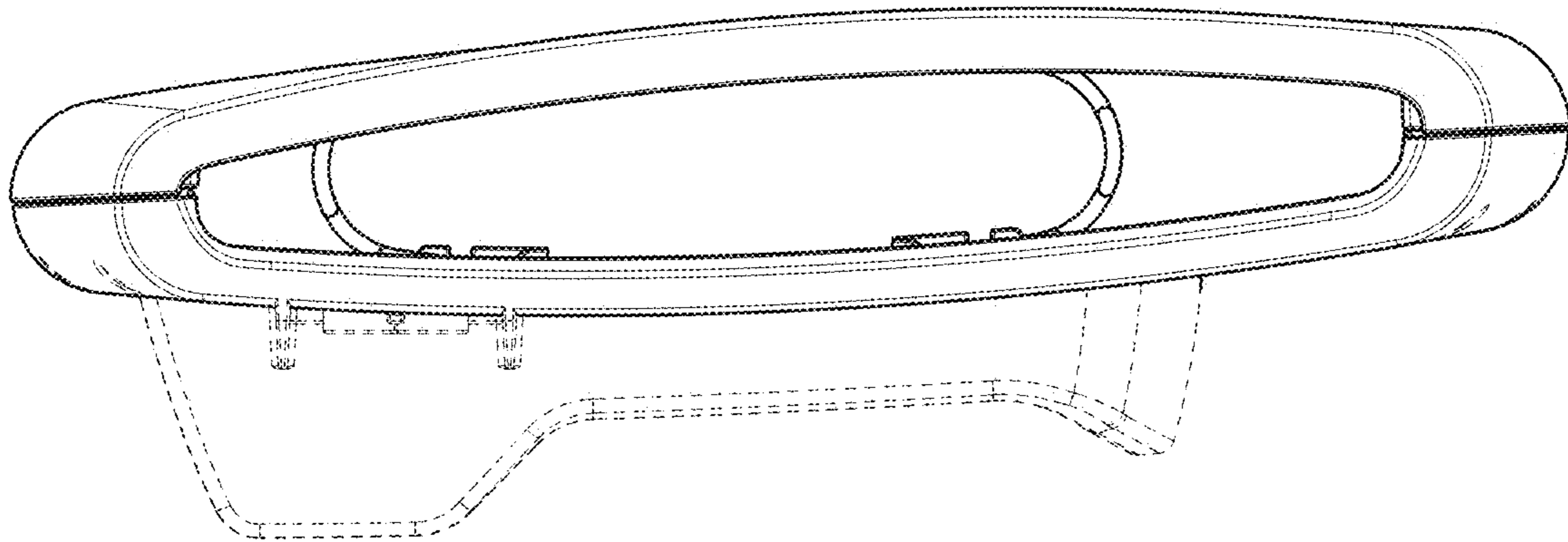


FIG. 3



F I G . 4

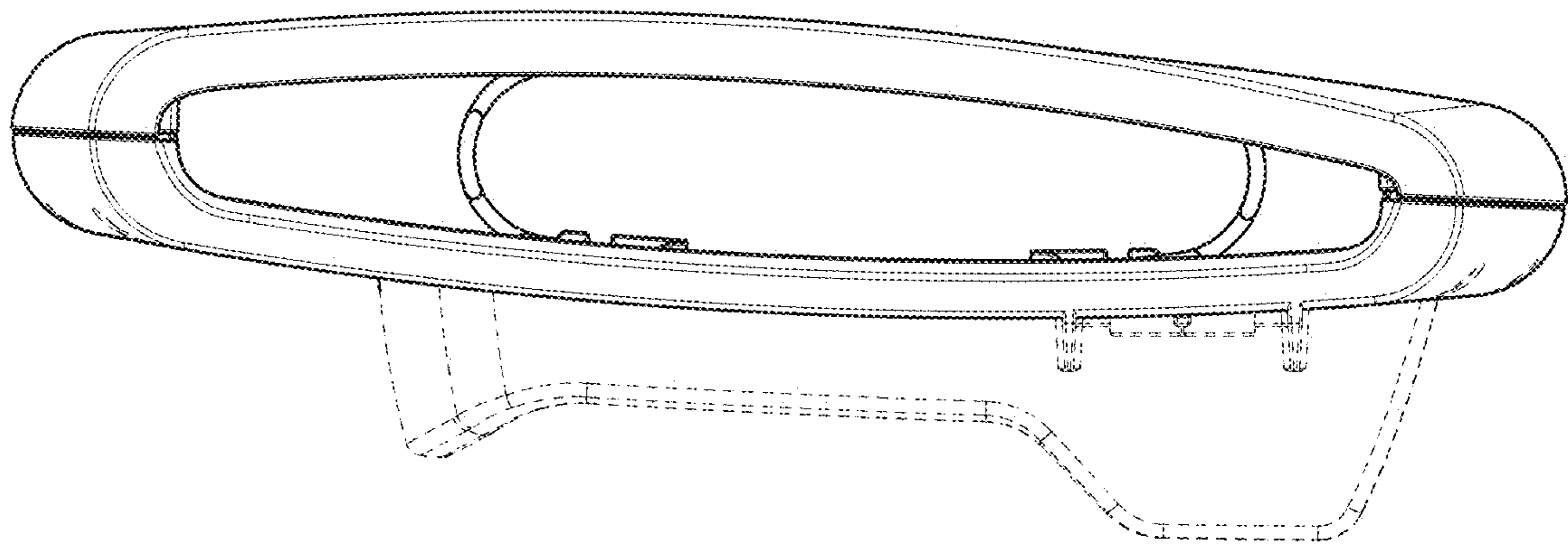


FIG. 5

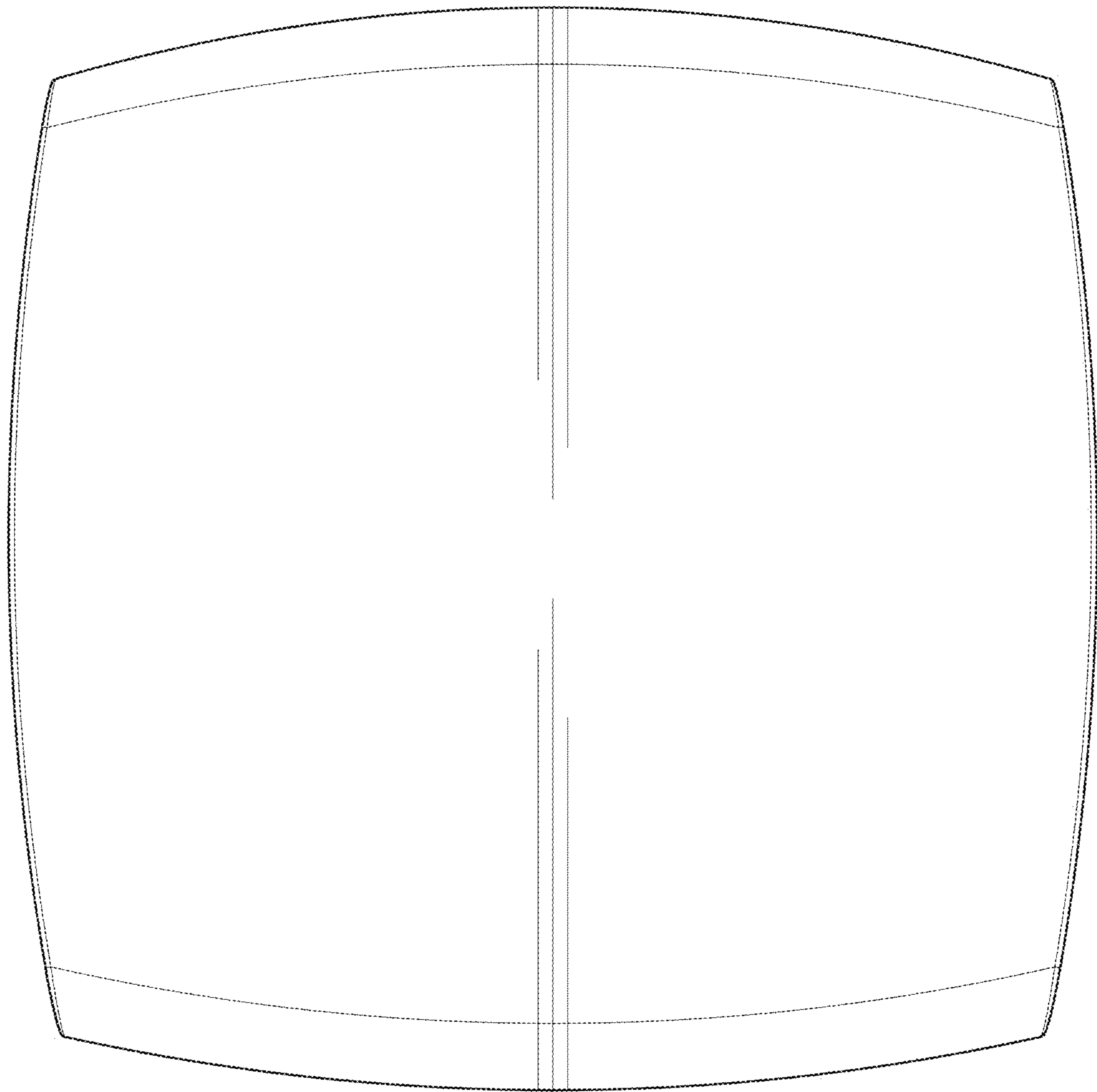


FIG. 6

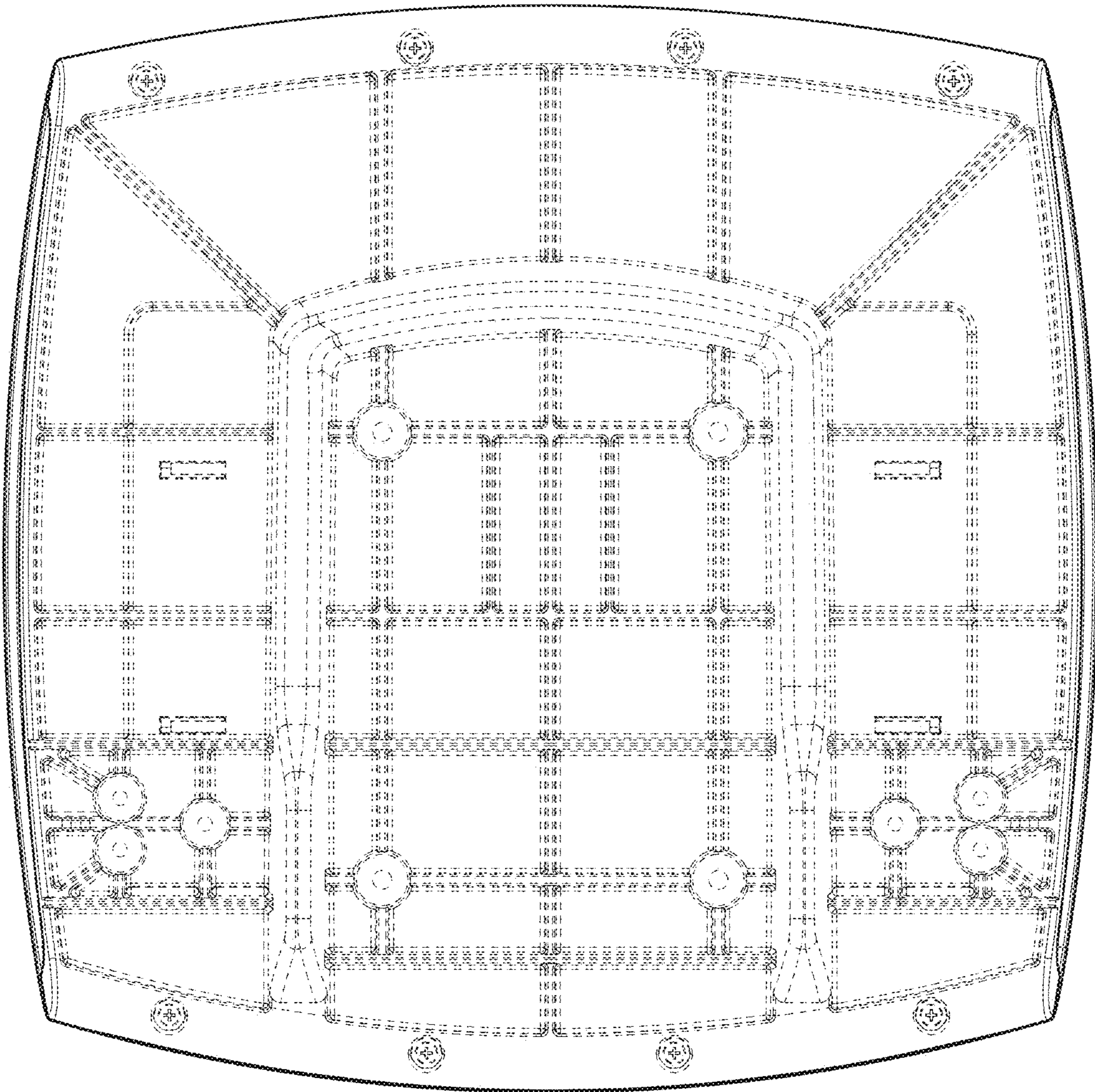


FIG. 7