



US00D899835S

(12) **United States Design Patent** (10) **Patent No.:** **US D899,835 S**
Nelson (45) **Date of Patent:** **** Oct. 27, 2020**

(54) **LETTER M CHAIR**
(71) Applicant: **SENDER'S CONSTRUCTION, LLC**,
Polk City, IA (US)
(72) Inventor: **Keith Nelson**, Grimes, IA (US)
(73) Assignee: **Sender's Construction, LLC**, Polk
City, IA (US)
(**) Term: **15 Years**
(21) Appl. No.: **29/652,144**
(22) Filed: **May 21, 2020**

Related U.S. Application Data

(63) Continuation of application No. 29/723,752, filed on Feb. 10, 2020, now Pat. No. Des. 889,178, which is a continuation of application No. 29/710,388, filed on Oct. 23, 2019, now Pat. No. Des. 878,129, which is a continuation of application No. 29/693,047, filed on May 30, 2019, now Pat. No. Des. 868,519, which is a continuation of application No. 29/677,264, filed on Jan. 18, 2019, now Pat. No. Des. 854,868, which is a continuation of application No. 29/657,202, filed on Jul. 19, 2018, now Pat. No. Des. 846,931, which is a continuation of application No. 29/622,770, filed on Oct. 19, 2017, now Pat. No. Des. 826,612, which is a continuation of application No. 29/599,429, filed on Apr. 3, 2017, now Pat. No. Des. 807,092, which is a continuation of application No. 29/572,875, filed on Aug. 1, 2016, now Pat. No. Des. 786,596, which is a continuation of application No. 29/550,416, filed on Jan. 4, 2016, now Pat. No. Des. 765,452, which is a continuation of application No. 29/531,933, filed on Jun. 30, 2015, now abandoned, which is a continuation of application No. 29/475,661, filed on Dec. 5, 2013, now Pat. No. Des. 735,511, which is a
(Continued)

(51) **LOC (12) Cl.** **06-06**
(52) **U.S. Cl.**
USPC **D6/716**

(58) **Field of Classification Search**
USPC D6/334, 341, 371-375, 381, 491-492,
D6/500-502, 702, 716-716.1
CPC A47C 4/02; A47C 4/03; A47C 7/16; A47C
7/36; A47C 3/14
See application file for complete search history.

(56) **References Cited**

U.S. PATENT DOCUMENTS

D181,241 S 10/1957 Swanson
3,485,527 A 12/1969 Barghout
(Continued)

OTHER PUBLICATIONS

Chauhan, Shikha, Hometone "Amazing Alphabet Furniture for Kindergarten of Comfort", Sep. 23, 2009, <http://www.hometone.com/entry/amazing-alphabet-furniture-for-kindergarten-of-comfort>, 8 pages, retrieved from the Internet Aug. 17, 2012.

(Continued)

Primary Examiner — Kelley A Donnelly
(74) *Attorney, Agent, or Firm* — McKee, Voorhees & Sease, PLC

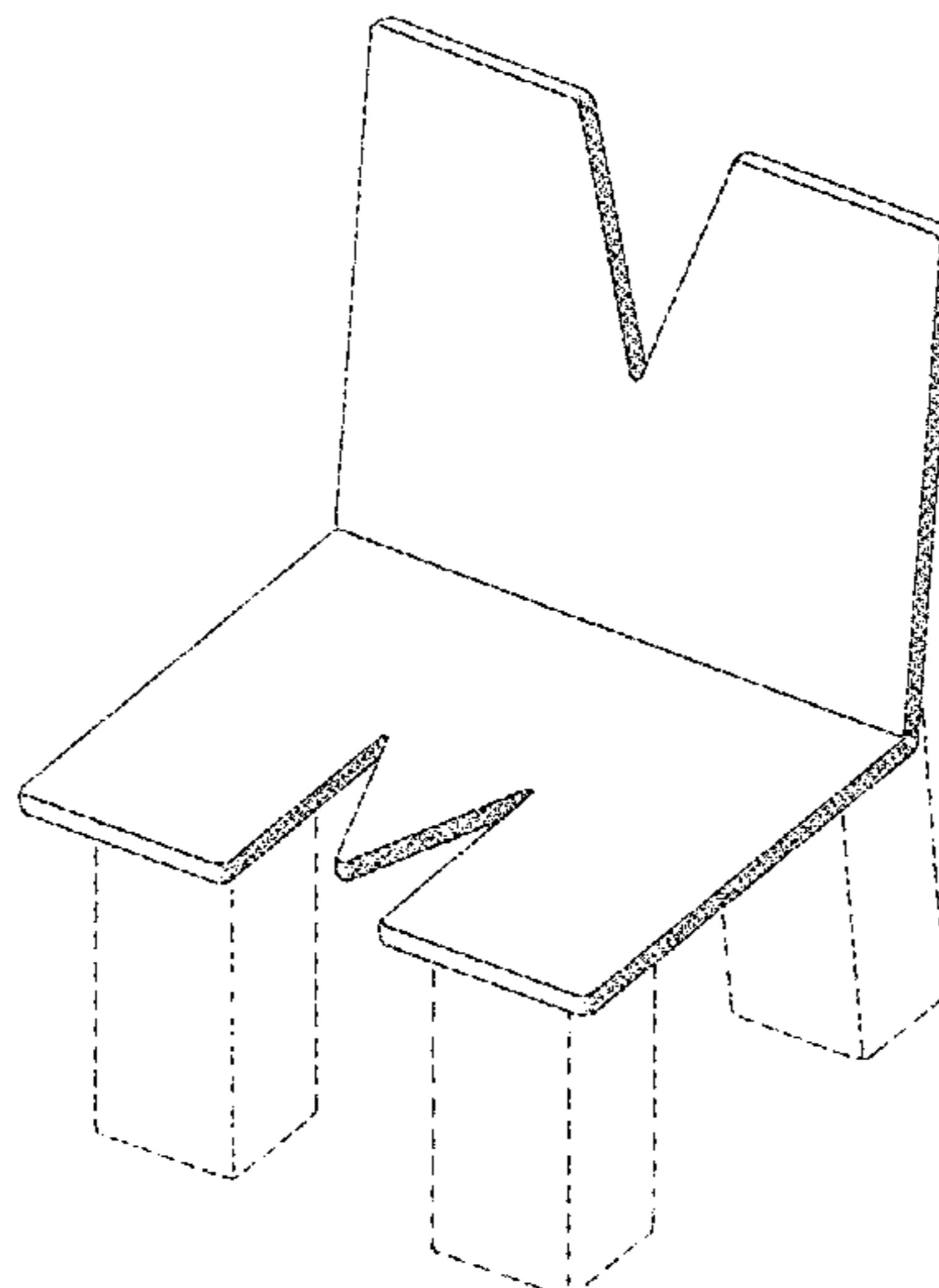
(57) **CLAIM**

The ornamental design for the letter M chair, as shown and described.

DESCRIPTION

FIG. 1 is a perspective view of the letter "M" chair.
FIG. 2 is a front view of the letter "M" chair.
FIG. 3 is a rear view of the letter "M" chair.
FIG. 4 is a top view of the letter "M" chair.
FIG. 5 is a side view of the letter "M" chair; and,
FIG. 6 is a side view of the letter "M" chair.
The broken lines are for the purposes of illustrating the environment of the article only and form no part of the claimed design.

1 Claim, 6 Drawing Sheets



Related U.S. Application Data

continuation of application No. 29/393,407, filed on Jun. 3, 2011, now Pat. No. Des. 699,993.

(56)

References Cited

U.S. PATENT DOCUMENTS

D239,345 S	3/1976	Keller
D341,954 S	12/1993	Thompson
D376,465 S	12/1996	Haro et al.
6,135,548 A	10/2000	McGuire
D489,193 S	5/2004	Muller
D498,069 S	11/2004	Kreiss
D502,015 S	2/2005	Hollett et al.
D526,545 S	8/2006	Sanderson
D537,263 S	2/2007	Berry et al.
D549,970 S	9/2007	Bouroullec et al.
D555,381 S	11/2007	Swanson
D568,626 S	5/2008	Gharabegian
D572,928 S	7/2008	Rittfeldt et al.
D595,515 S	7/2009	Collette
D601,357 S	10/2009	Siegel
D609,489 S	2/2010	Adams et al.
D638,063 S	5/2011	O'Con
D646,096 S	10/2011	Langbord et al.
D653,886 S	2/2012	Lucci
D656,337 S	3/2012	Townsend
D668,469 S	10/2012	Siegel
D672,579 S	12/2012	Vass
D676,690 S	2/2013	Pheasant
D697,352 S	1/2014	Skalka
D699,993 S	2/2014	Nelson
D708,451 S	7/2014	Gashcy et al.
D717,059 S	11/2014	Kim et al.
D720,862 S	1/2015	Douglas, Jr. et al.
D731,802 S	6/2015	McKenna et al.
D735,511 S	8/2015	Nelson
D738,657 S	9/2015	Robins et al.
D742,534 S	11/2015	Bains
D743,712 S	11/2015	Behar et al.
D747,893 S	1/2016	Nikolajsen
D749,868 S	2/2016	Nikolajsen
D752,893 S	4/2016	Behar et al.
D761,606 S	7/2016	Piretti
D765,452 S	9/2016	Nelson
D769,632 S	10/2016	Bullejos

D786,596 S	5/2017	Nelson	
D807,092 S	1/2018	Nelson	
D811,792 S	3/2018	Guck et al.	
D812,390 S	3/2018	Liu	
D813,526 S	3/2018	Lee et al.	
D815,445 S	4/2018	Longo	
D819,351 S	6/2018	Peterson	
D821,793 S	7/2018	Ludwig et al.	
D826,612 S	8/2018	Nelson	
D834,867 S	12/2018	Kolberg	
D840,705 S	2/2019	Grabowski et al.	
D840,706 S	2/2019	Grabowski et al.	
D841,354 S	2/2019	Rassat	
D845,691 S	4/2019	Weller	
D846,931 S	4/2019	Nelson	
D854,868 S	7/2019	Nelson	
D864,639 S	10/2019	Snell et al.	
D866,215 S	11/2019	Lenhart et al.	
D878,129 S *	3/2020	Nelson	D6/716
D885,815 S *	6/2020	Sardo	D6/716
D889,178 S *	7/2020	Nelson	D6/716
2011/0181085 A1	7/2011	Pfeifer et al.	

OTHER PUBLICATIONS

Ohri, Priyanka, Hometome “Amazing with alphabet letters for unusual home decor”, Nov. 19, 2009, <http://www.hometone.com/entry/playing-with-alphabet-letters-for-unusual-home-decor>, 13 pages, retrieved from the Internet Aug. 17, 2012.

Roeland Otten “ABChairs (2010)”, <http://www.roelandotten.com>, 3 pages, retrieved from the Internet Aug. 17, 2012.

Paul, Rebecca, Inhabitat, “Hair Chair: A Furry Alphabet Letter Chair Made from Corrugated Cardboard” May 19, 2011, <http://inhabitat.com/hair-chair-a-furry-alphabet-letter-chair-made-from-corrugated-cardboard>, 4 pages, retrieved from the Internet Aug. 17, 2012.

Designboom, “sascha grewe: a-z stools”, <http://www.designboom.com/weblog/cat/8/view/10739/sascha-grewe-a-z-stools.html>, 7 pages, retrieved from the Internet Aug. 17, 2012.

Tambino, Tambino furnishing and accessories for kids, <http://www.tambino.com>, 3 pages, retrieved from the Internet Aug. 17, 2012.

Tabisso Design Furniture, <http://www.tabisso.com/home.html>, 1 page, retrieved from the Internet Aug. 17, 2012.

* cited by examiner

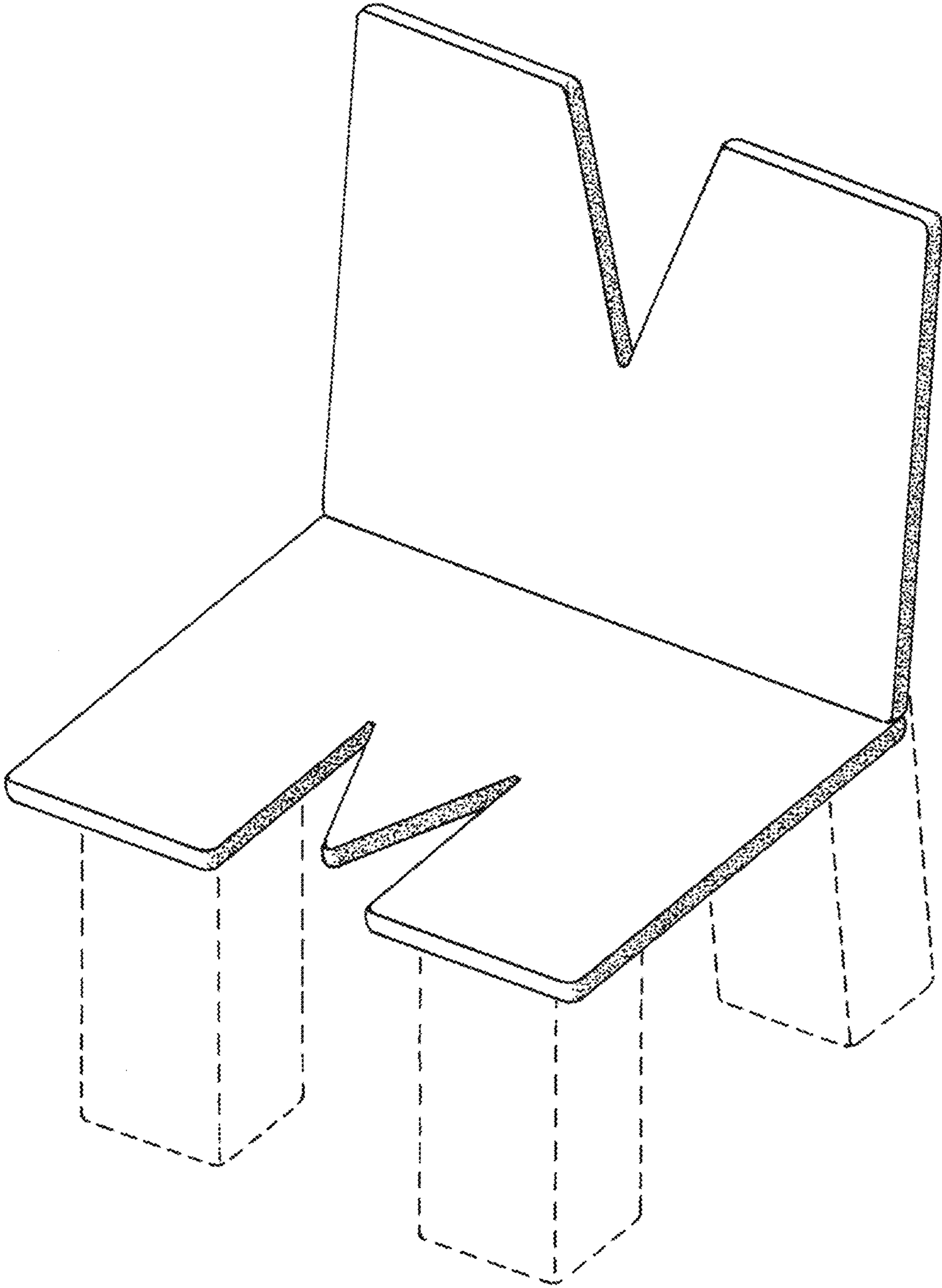


FIG. 1

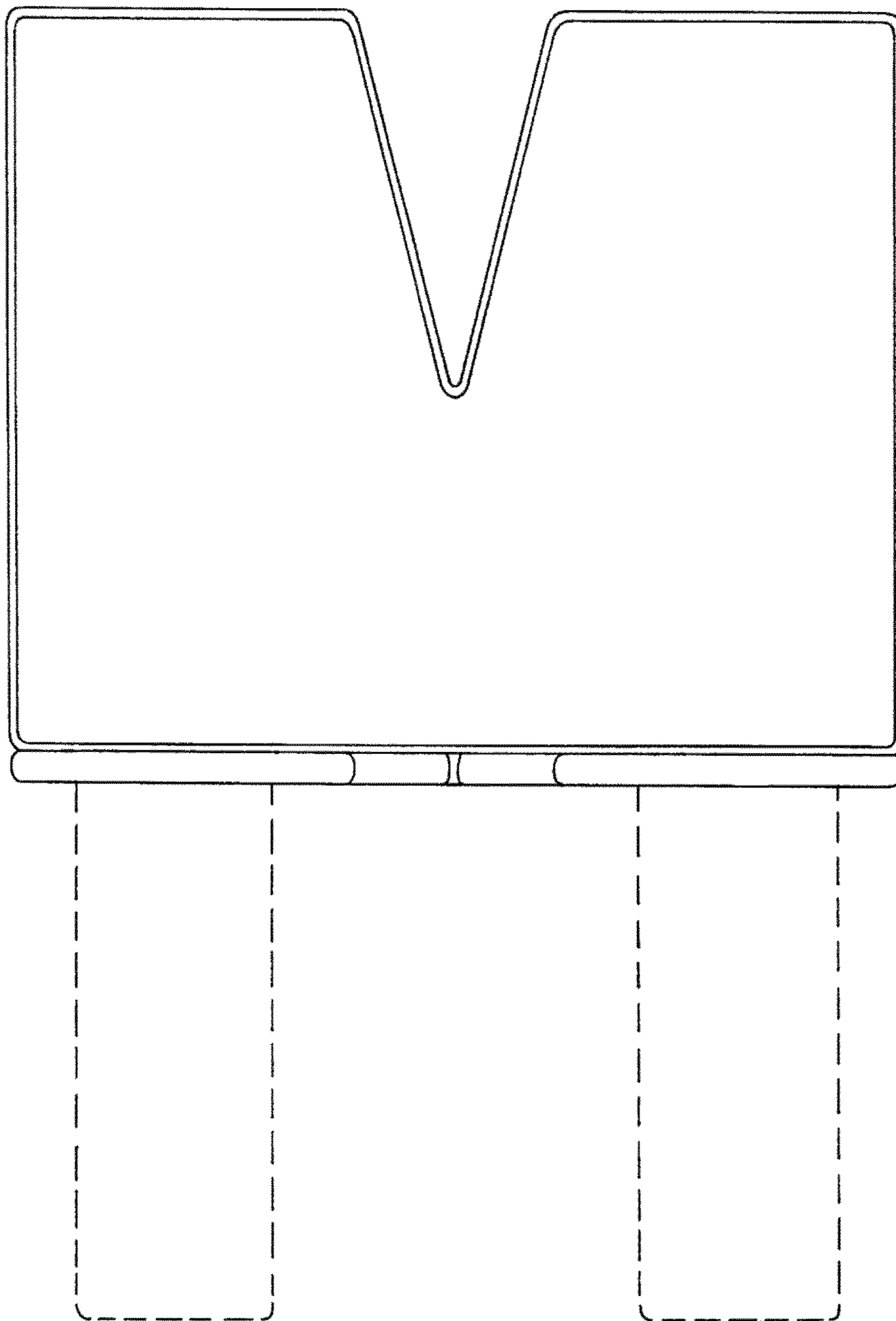


FIG. 2

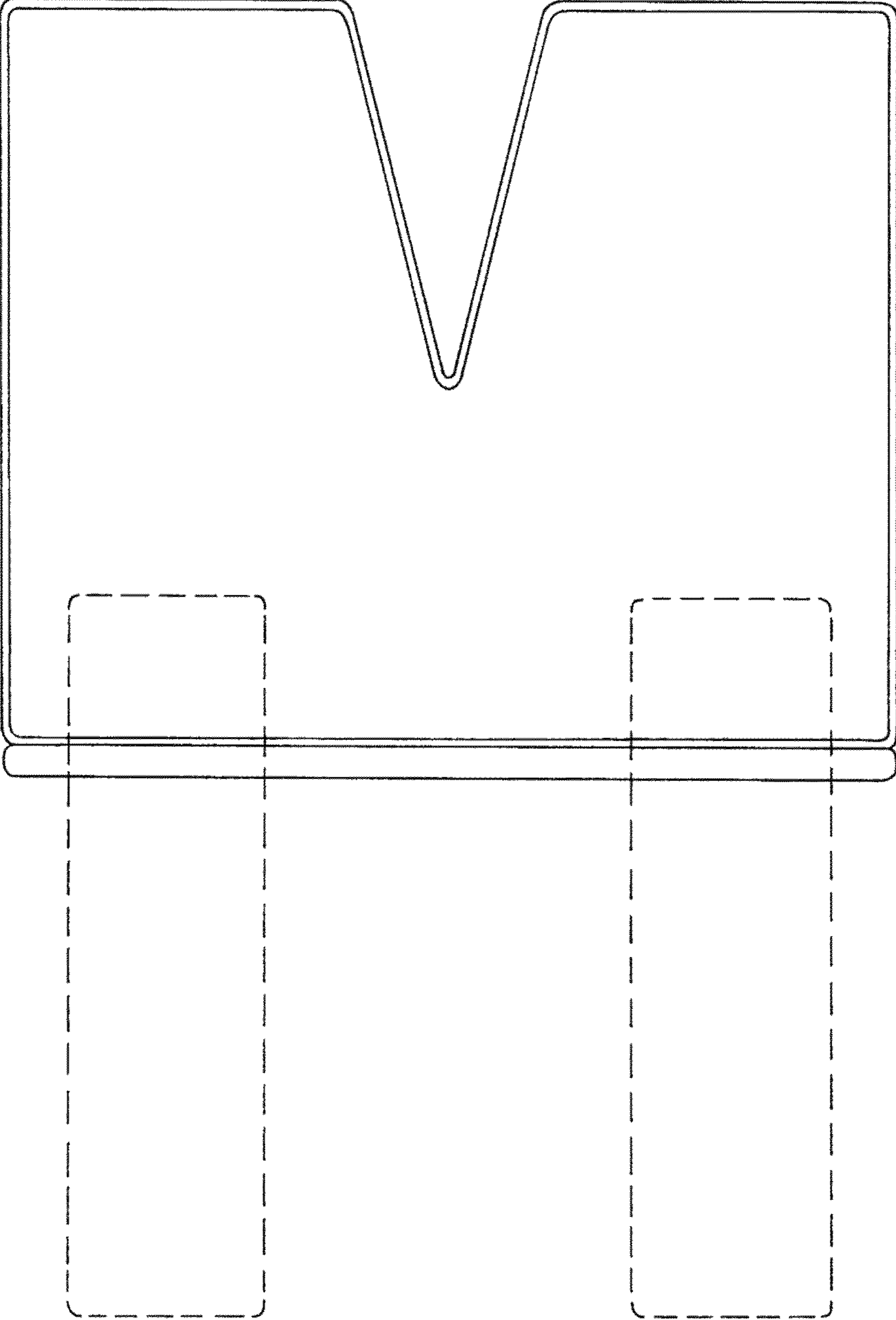


FIG. 3

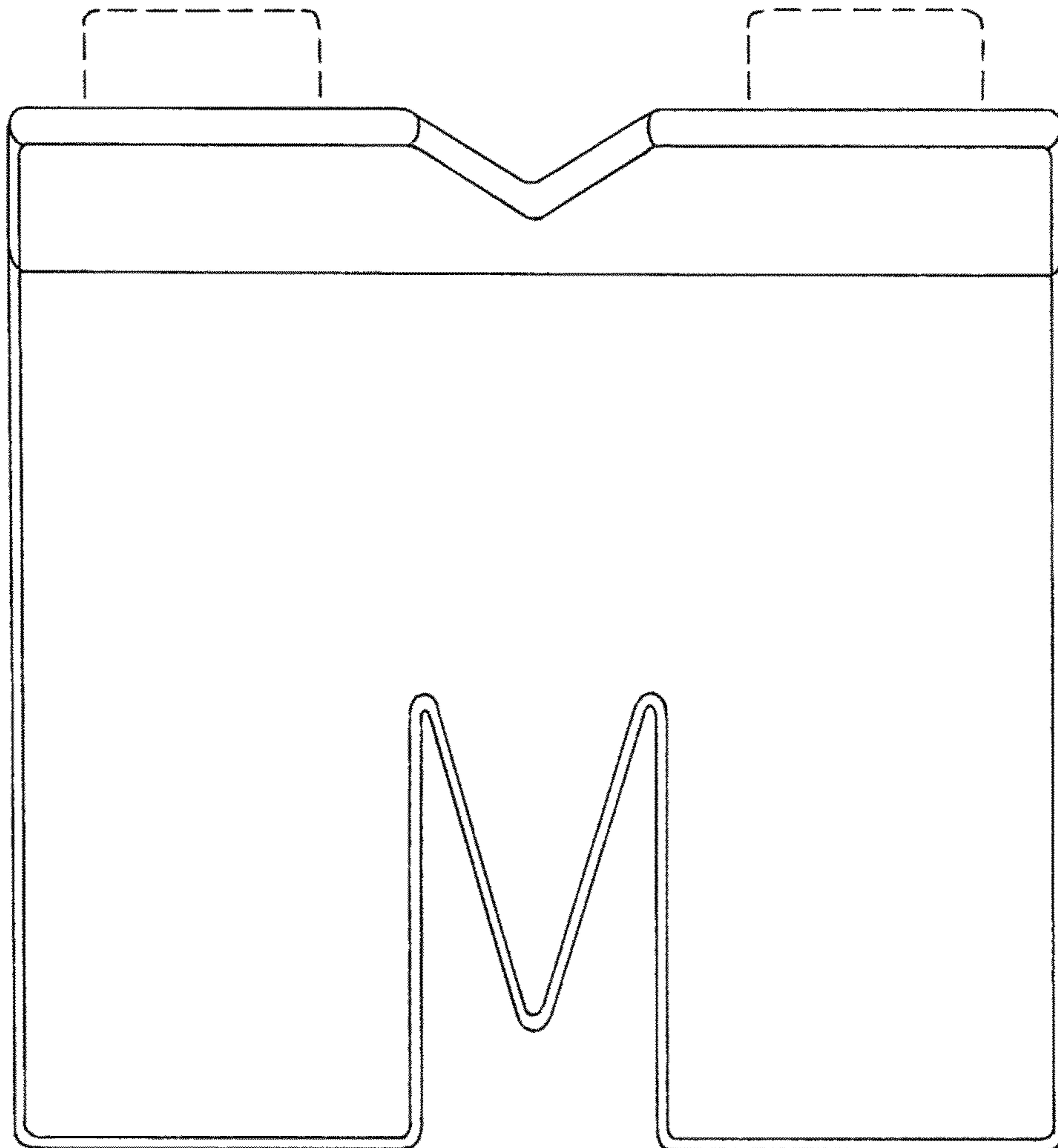


FIG. 4

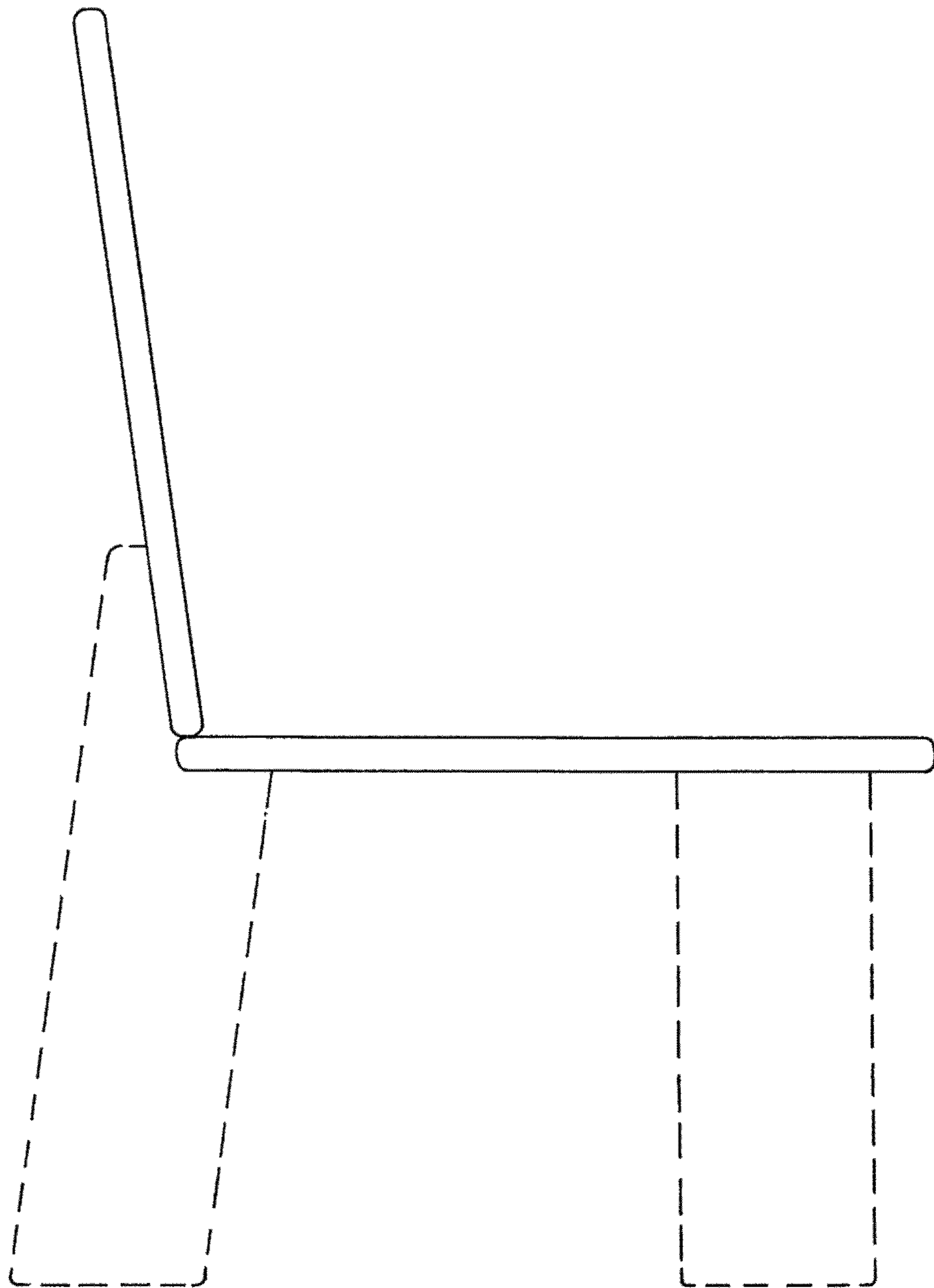


FIG. 5

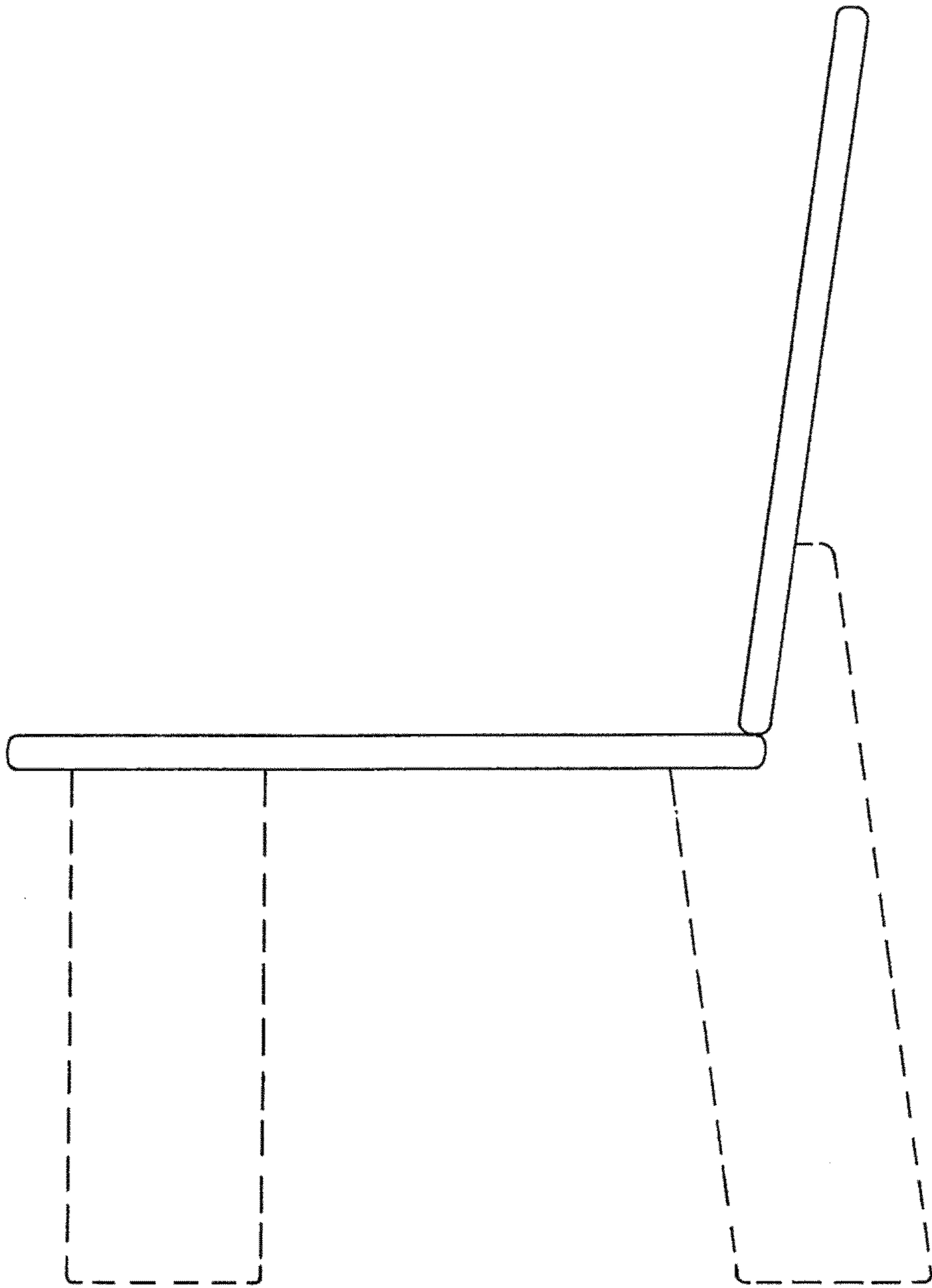


FIG. 6