



US00D899834S

(12) **United States Design Patent** (10) **Patent No.:** **US D899,834 S**
Son et al. (45) **Date of Patent:** **** Oct. 27, 2020**

(54) **COMPACT KITCHEN UNIT**

(71) Applicant: **LG ELECTRONICS INC.**, Seoul (KR)

(72) Inventors: **Youngjee Son**, Seoul (KR); **Hyungki Kim**, Seoul (KR); **Sookyung Kang**, Seoul (KR); **Kyukwan Choi**, Seoul (KR); **Wonsang Choi**, Seoul (KR)

(73) Assignee: **LG ELECTRONICS INC.**, Seoul (KR)

(**) Term: **15 Years**

(21) Appl. No.: **35/507,529**

(22) Filed: **Nov. 22, 2018**

(80) **Hague Agreement Data**

Int. Filing Date: **Nov. 22, 2018**

Int. Reg. No.: **DM/203346**

Int. Reg. Date: **Nov. 22, 2018**

Int. Reg. Pub. Date: **Oct. 18, 2019**

(30) **Foreign Application Priority Data**

May 23, 2018 (KR) 30-2018-0023946

(51) **LOC (12) Cl.** **06-06**

(52) **U.S. Cl.**
USPC **D6/705**

(58) **Field of Classification Search**

USPC D6/663, 668.1, 668.2, 671, 371.2, 698, D6/699, 699.2, 702, 703, 704, 705, 705.2, D6/705.5; D7/600.1; D15/79, 89

CPC A47B 37/00; A47B 53/00; A47B 53/02; A47B 55/00; A47B 71/00; A47B 77/00; A47B 88/00; A47B 88/40; A47B 96/00; A47B 83/04; A47B 88/16; A47B 88/413; A47B 88/453; A47B 88/944; A47B 88/70; A47B 88/75; A47B 88/80; A47F 3/00; A47F 3/0404; A47F 3/043

See application file for complete search history.

(56) **References Cited**

U.S. PATENT DOCUMENTS

D263,100	S	*	2/1982	Thompson	D18/59
4,425,013	A	*	1/1984	Killen	E05B 65/463
						312/216
D523,667	S	*	6/2006	Bisson	D6/705
D599,145	S	*	9/2009	Daino	E05B 65/463
						D6/705
D619,832	S	*	7/2010	Zalewski	D6/705
D684,402	S	*	6/2013	Gasser	A47B 88/75
						D6/705
9,173,488	B1	*	11/2015	Bello	A47B 88/70
D817,366	S	*	5/2018	Kim	A47B 88/457
						D15/79

(Continued)

Primary Examiner — Mary Ann Calabrese

(74) *Attorney, Agent, or Firm* — Birch, Stewart, Kolasch & Birch, LLP

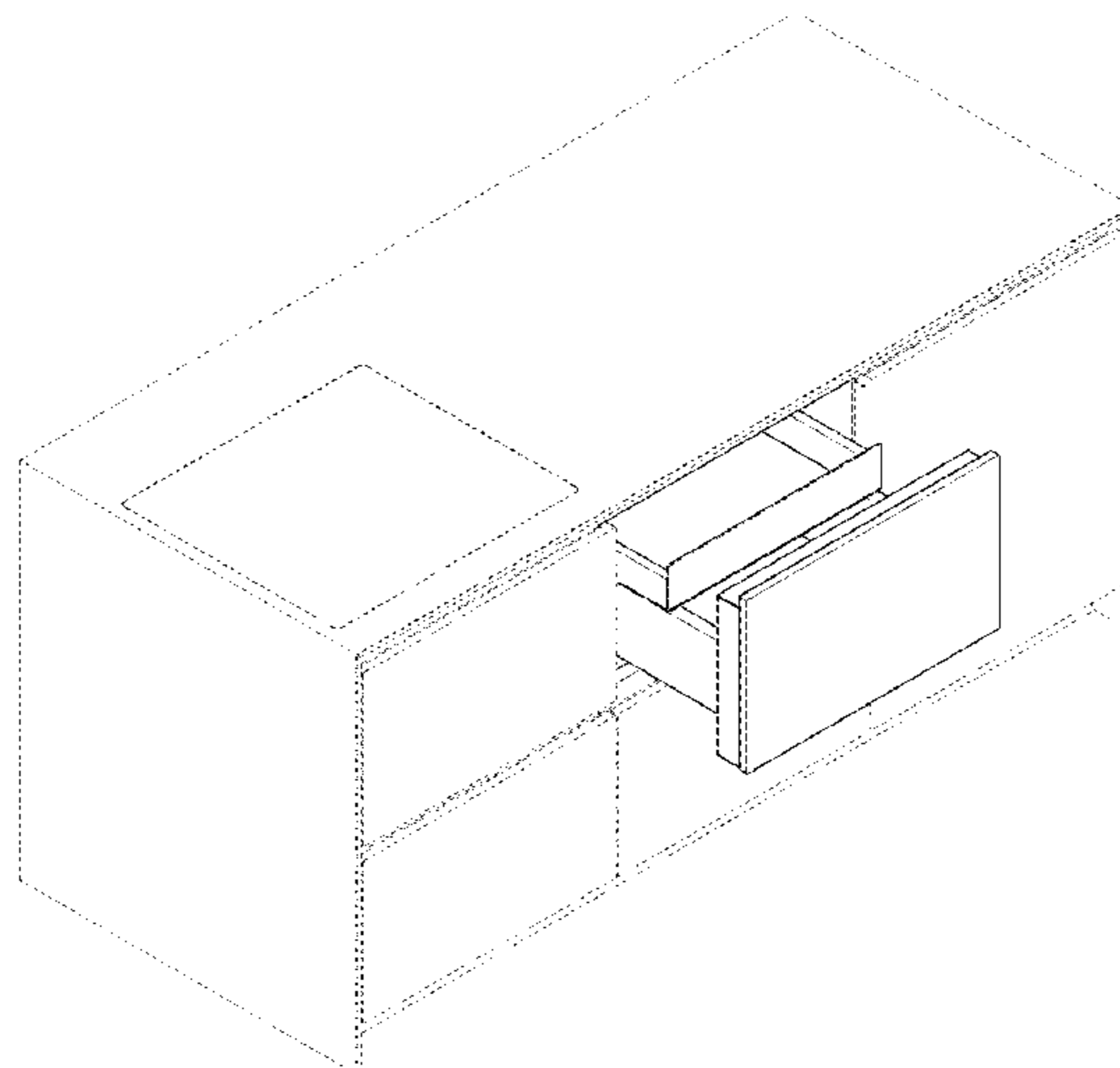
(57) **CLAIM**

The ornamental design for a compact kitchen unit, as shown and described.

DESCRIPTION

1. Compact kitchen unit
 - 1.1 : Front perspective view
 - 1.2 : Rear perspective view
 - 1.3 : Front
 - 1.4 : Rear
 - 1.5 : Left
 - 1.6 : Right
 - 1.7 : Top
 - 1.8 : Bottom
 - 1.9 : Rear perspective view shown with the upper drawer in an open position
 - 1.10 : Rear perspective view shown with both drawers in a closed position
- The broken lines indicate portions of the article that form no part of the claimed design.

1 Claim, 10 Drawing Sheets



(56)

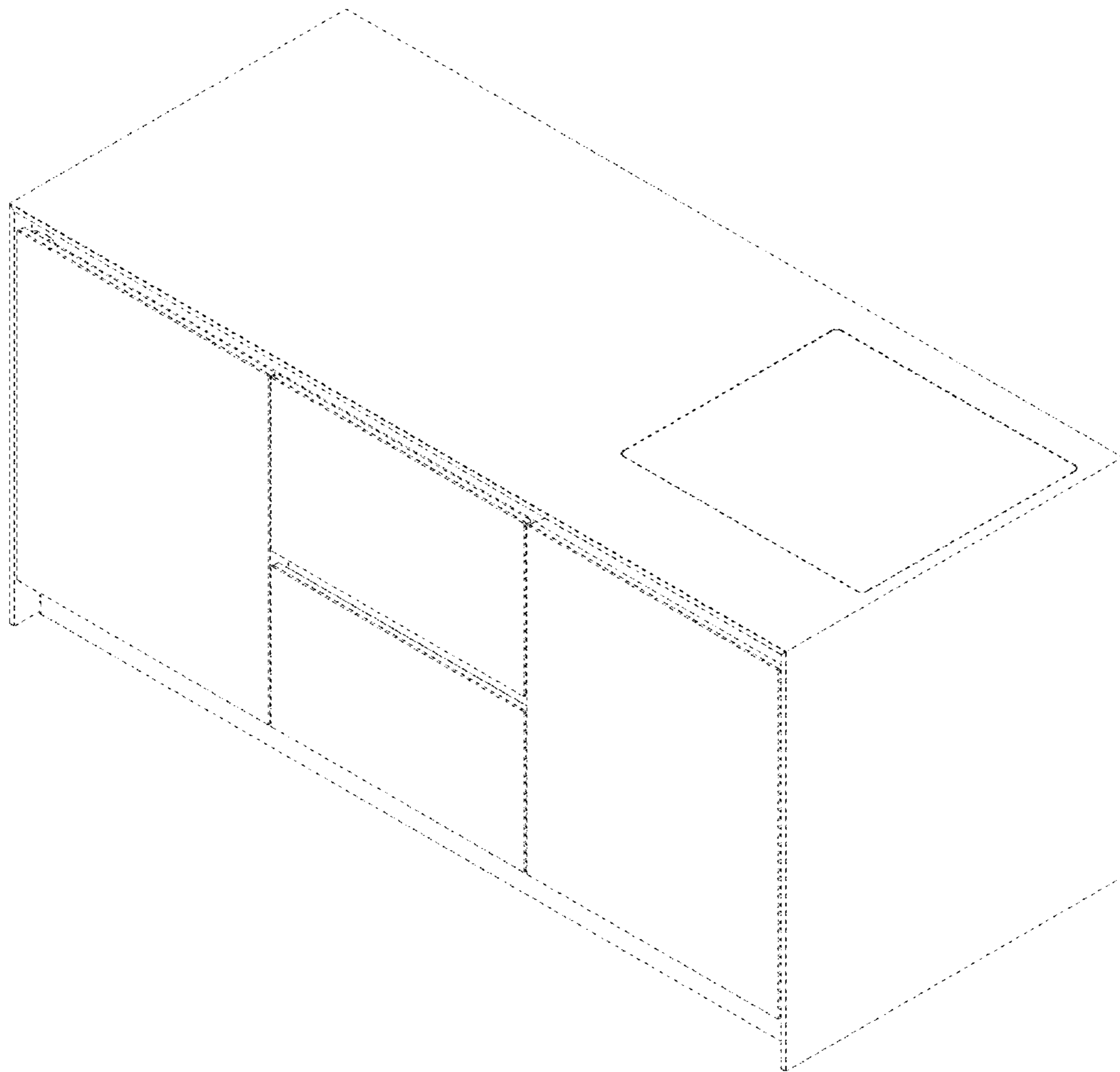
References Cited

U.S. PATENT DOCUMENTS

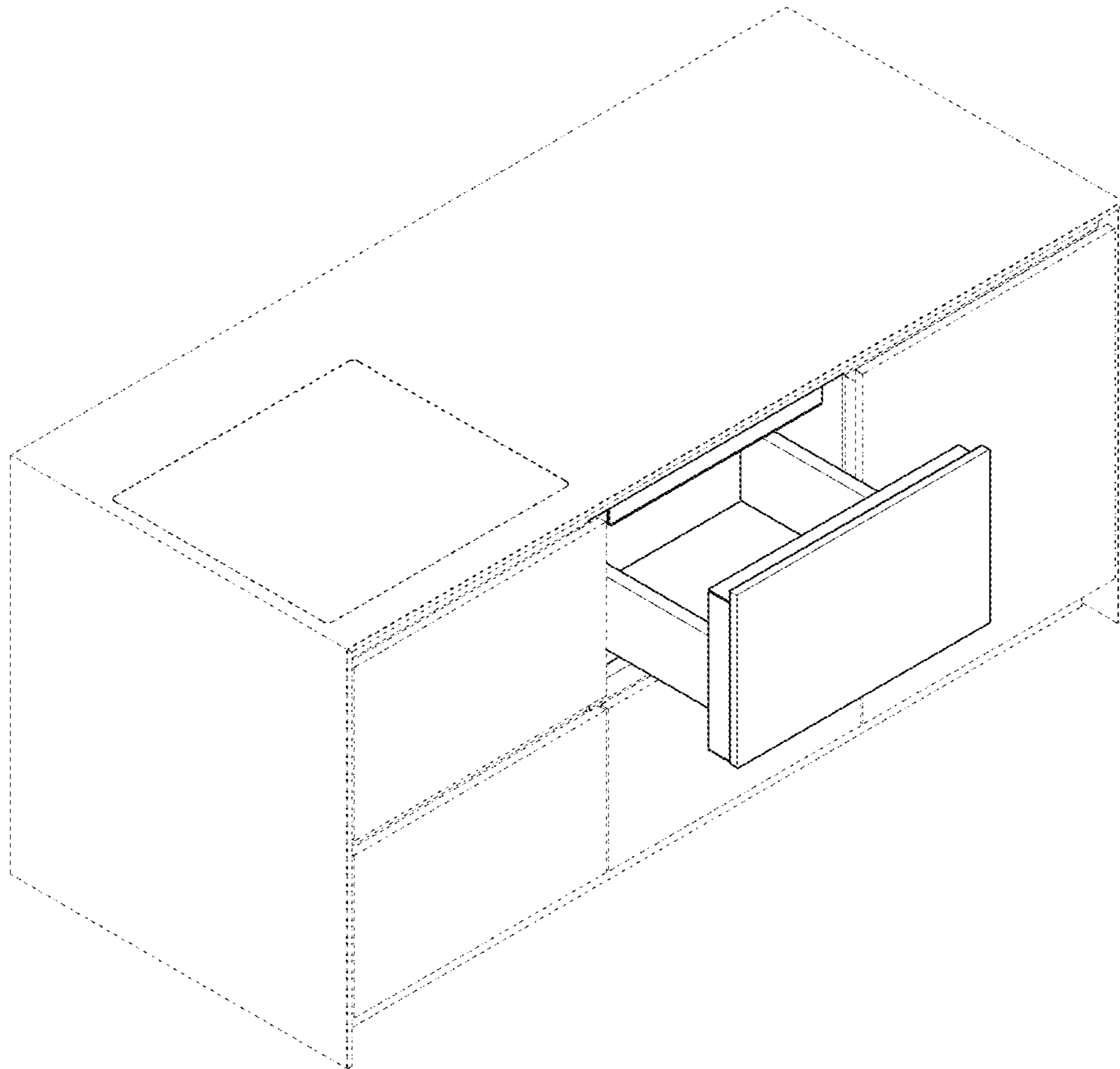
2009/0102340 A1* 4/2009 Wenzel A47B 88/457
312/334.1
2009/0134753 A1* 5/2009 Wenzel A47B 88/457
312/319.5
2013/0169133 A1* 7/2013 Johnson A47B 88/70
312/298
2017/0086584 A1* 3/2017 Rehage A47B 88/75

* cited by examiner

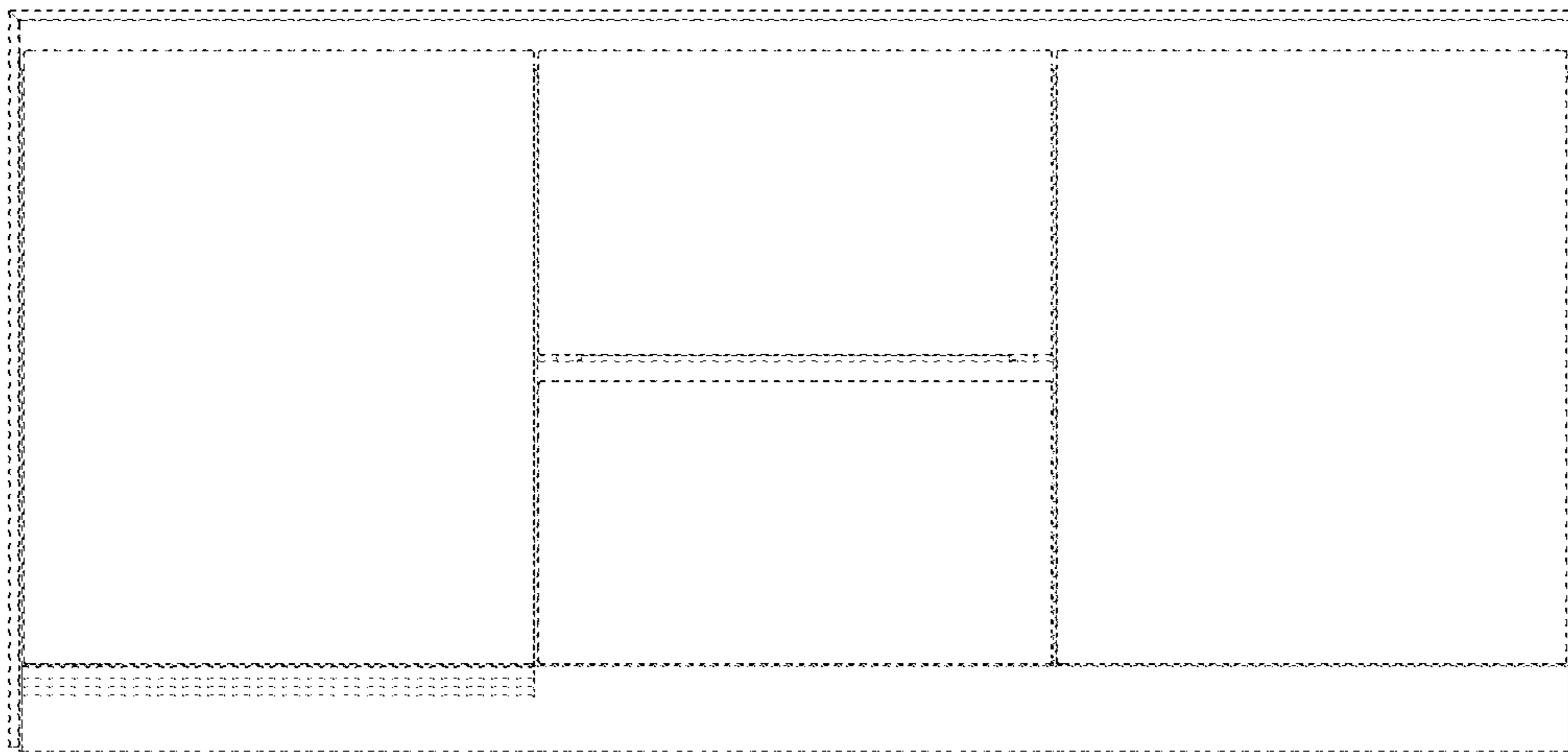
1.1



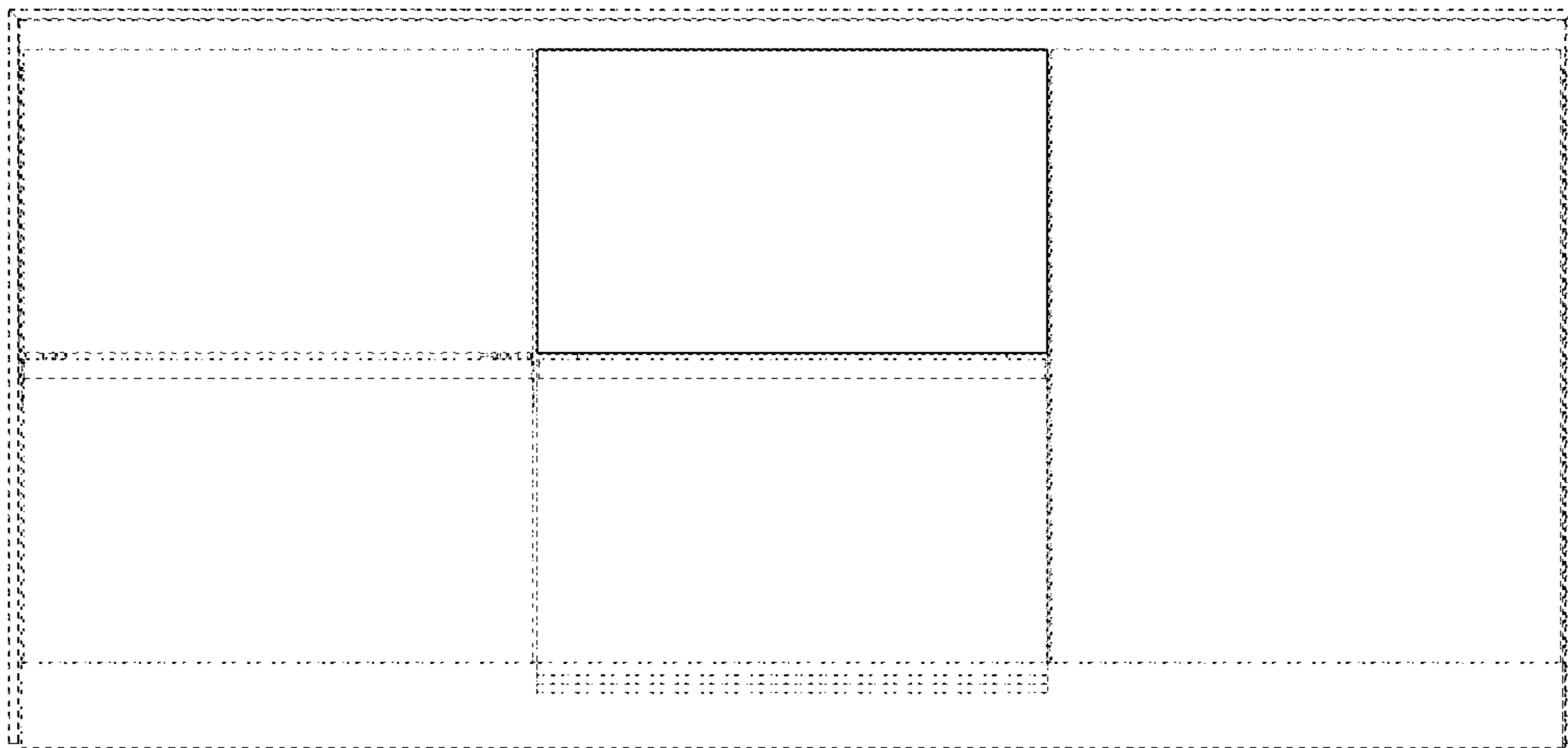
1.2



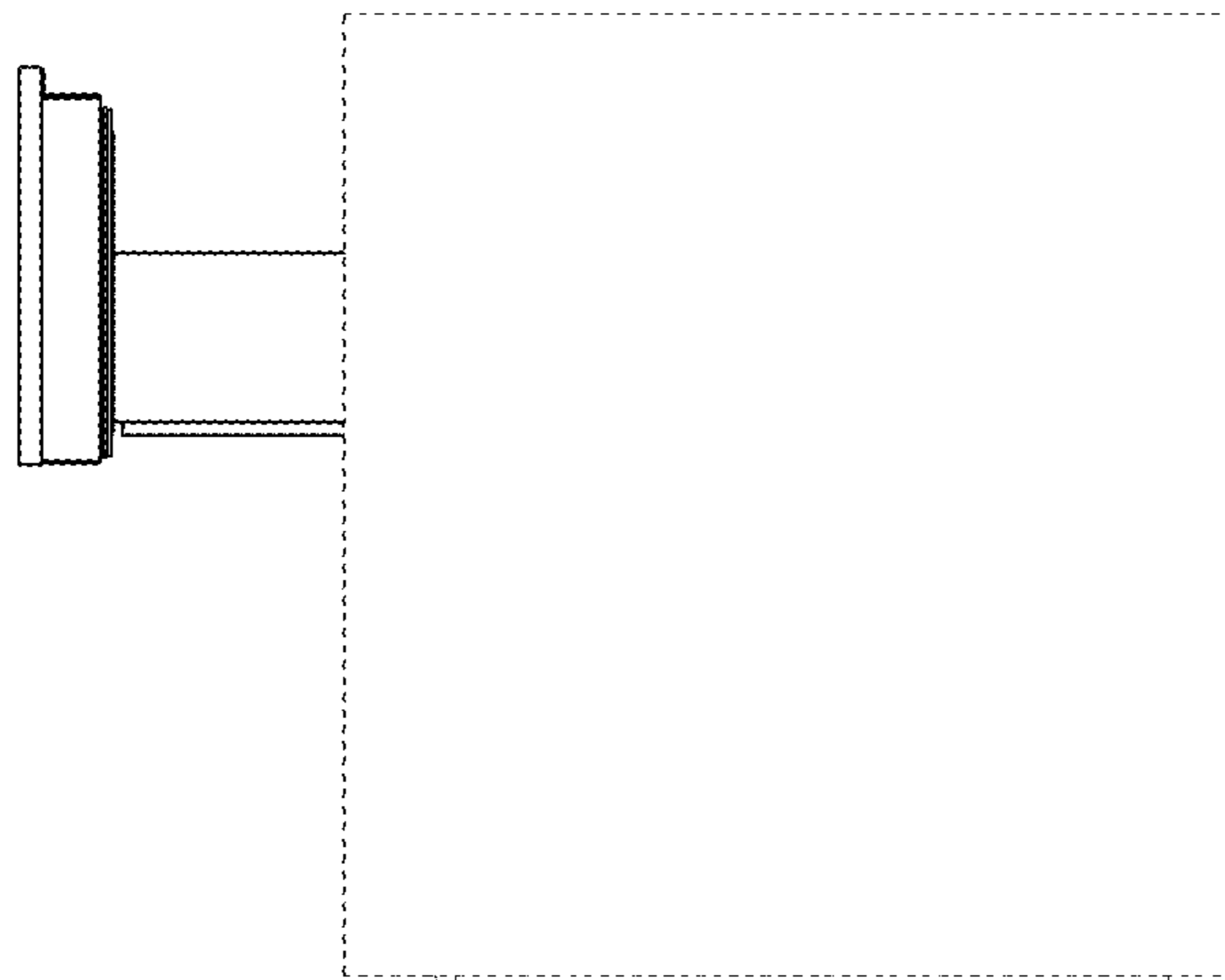
1.3



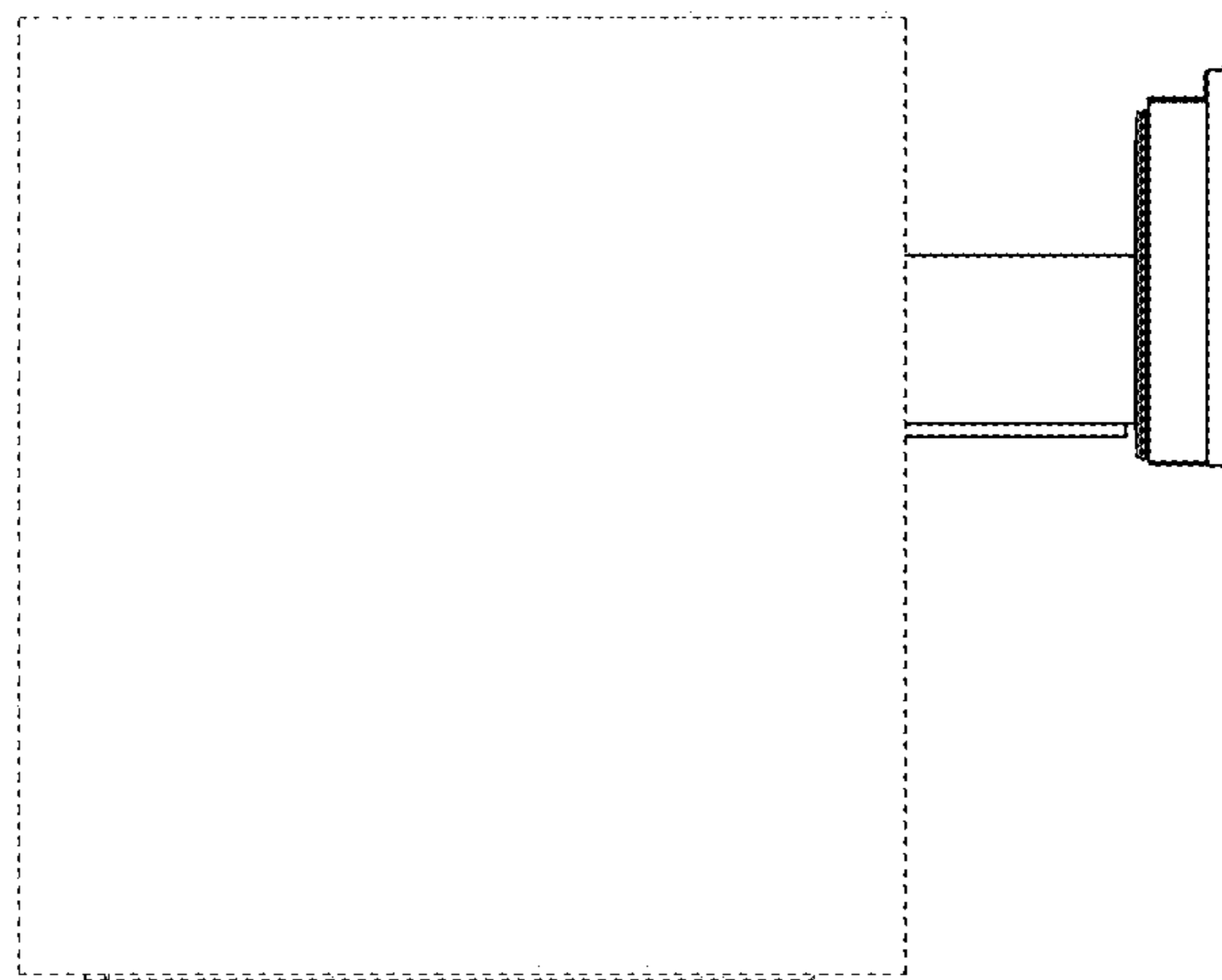
1.4



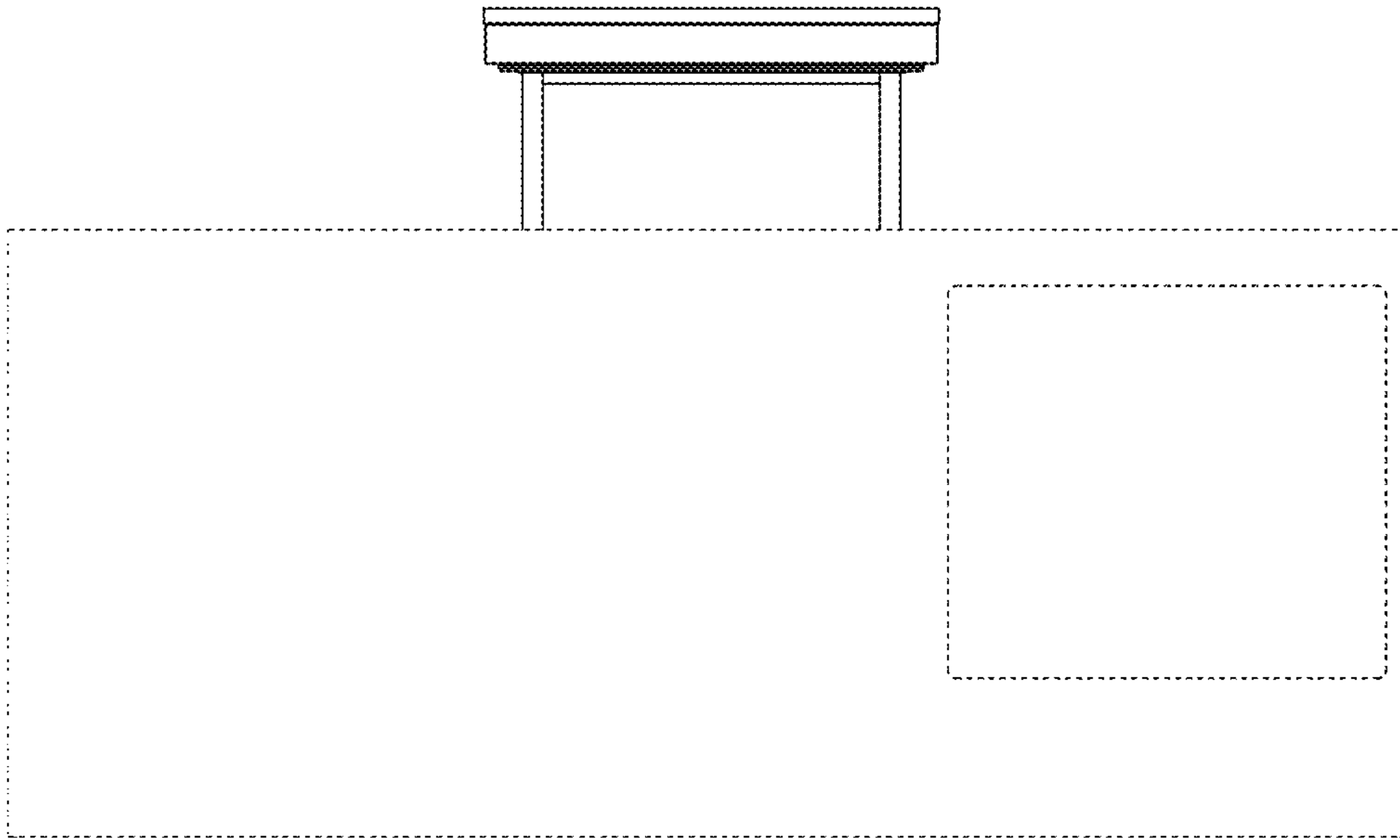
1.5



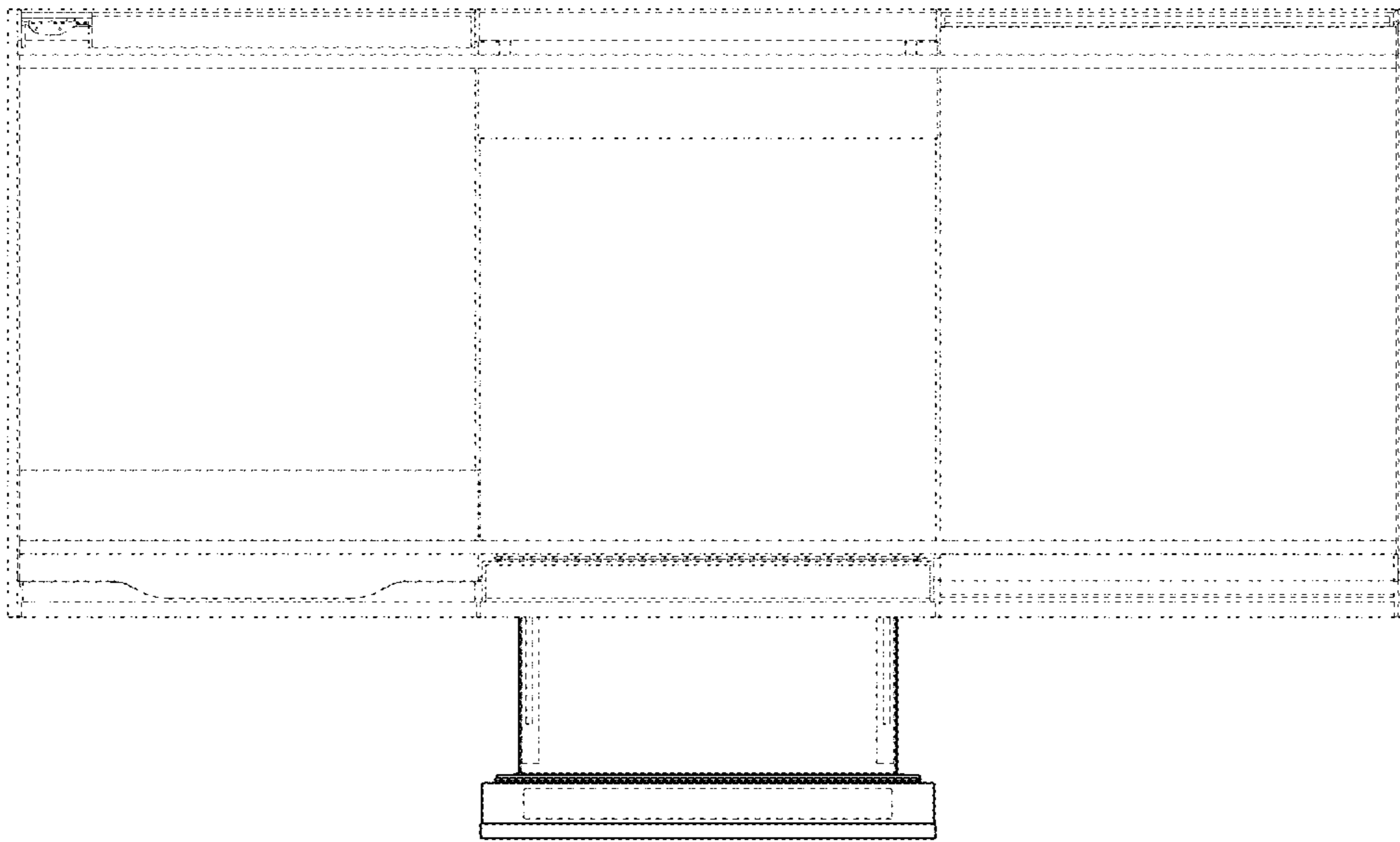
1.6



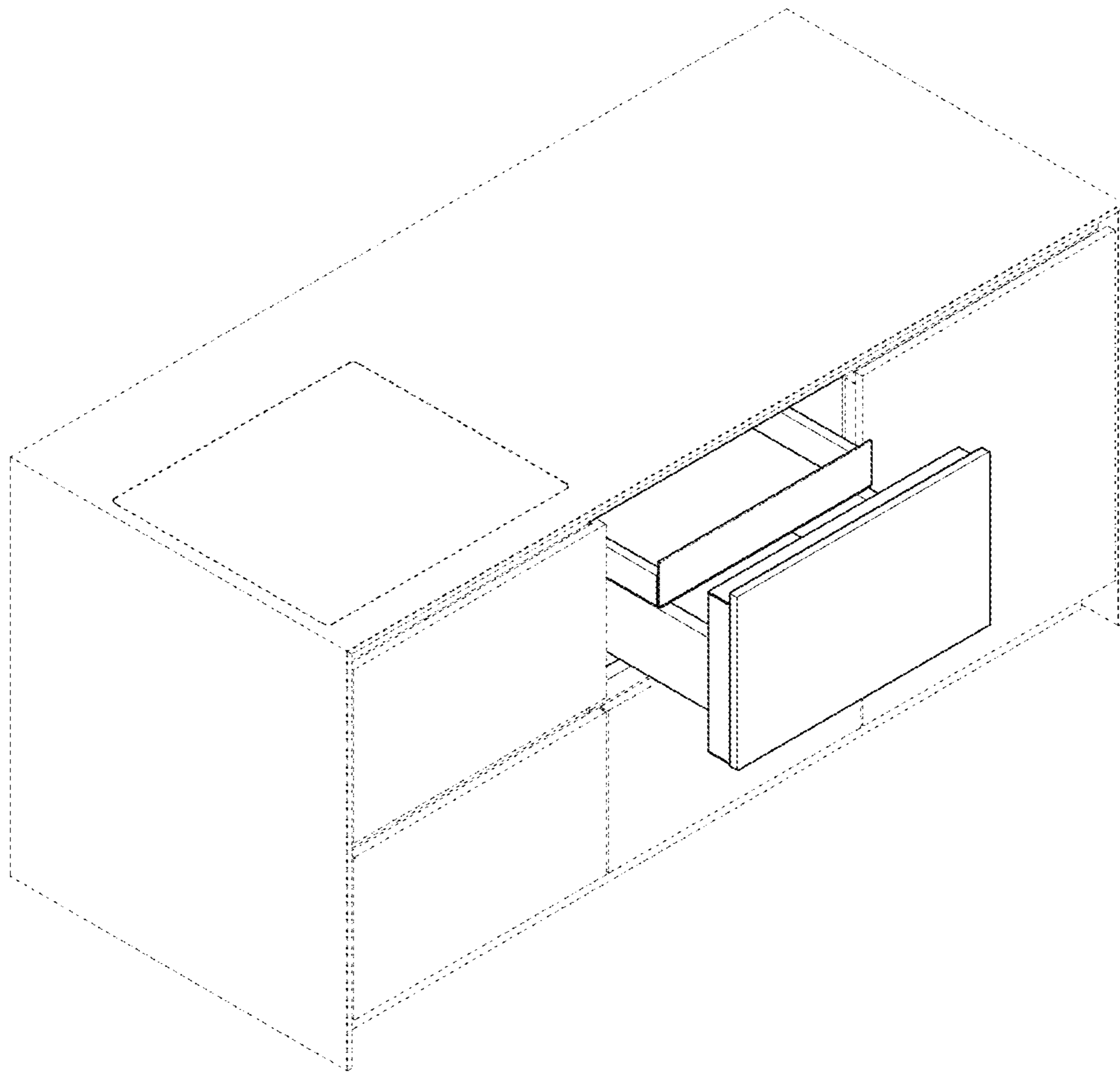
1.7



1.8



1.9



1.10

