



US00D899833S

(12) **United States Design Patent** (10) **Patent No.:** **US D899,833 S**  
**Lovelace** (45) **Date of Patent:** **\*\* Oct. 27, 2020**

(54) **MOBILE INFORMATION DESK**  
(71) Applicant: **Keith Lovelace**, Watlington (GB)  
(72) Inventor: **Keith Lovelace**, Watlington (GB)  
(\*\*) Term: **15 Years**  
(21) Appl. No.: **29/674,231**  
(22) Filed: **Dec. 20, 2018**

D190,917 S \* 7/1961 Fischer ..... D6/686  
D257,093 S \* 9/1980 Brittner ..... D6/699  
D357,830 S \* 5/1995 Englander ..... D6/699  
D448,214 S \* 9/2001 Jeffery ..... D6/698  
D686,011 S \* 7/2013 Credle ..... D6/699  
8,656,844 B2 \* 2/2014 Ceballos-Godefroy .....  
A47F 5/10  
108/115  
D732,319 S \* 6/2015 Engebretson ..... D6/657  
D732,853 S \* 6/2015 Engebretson ..... D6/657

(30) **Foreign Application Priority Data**

Jun. 20, 2018 (EM) ..... 005317724-0001  
Dec. 17, 2018 (EM) ..... 005912508-0001

(51) **LOC (12) Cl.** ..... **06-03**  
(52) **U.S. Cl.**  
USPC ..... **D6/699**  
(58) **Field of Classification Search**  
USPC ..... D6/668, 672, 685, 686, 688, 688.11,  
D6/688.19, 691.1, 691.9, 692, 692.3,  
D6/692.5, 694, 695, 695.2, 696, 696.1,  
D6/696.2, 696.3, 697, 698, 699, 699.2,  
D6/701, 707, 707.22, 707.23, 707.24, 709  
CPC .. A47B 37/00; A47B 3/00; A47B 1/00; A47B  
3/06; A47B 3/08; A47B 7/00; A47B  
21/00; A47B 23/00; A47B 25/00; A47B  
13/08; A47B 3/083; A47B 3/14; A47B  
41/00; A47B 17/00; A47B 3/0809; A47B  
3/0812; A47B 2013/026; A47B 2200/03;  
A47B 2200/00; A47B 2003/0821; A47C  
3/045

See application file for complete search history.

(56) **References Cited**

**U.S. PATENT DOCUMENTS**

D76,319 S \* 9/1928 Noggins ..... D6/686  
D164,612 S \* 9/1951 Waas ..... D7/325  
D190,916 S \* 7/1961 Fischer ..... D6/686

**OTHER PUBLICATIONS**

Network Rail 950H Podium; presentation given by Applicant on May 3, 2018, 8 pages.

\* cited by examiner

*Primary Examiner* — Mary Ann Calabrese  
*Assistant Examiner* — Catherine Ho  
(74) *Attorney, Agent, or Firm* — Reinhart Boerner Van Deuren P.C.

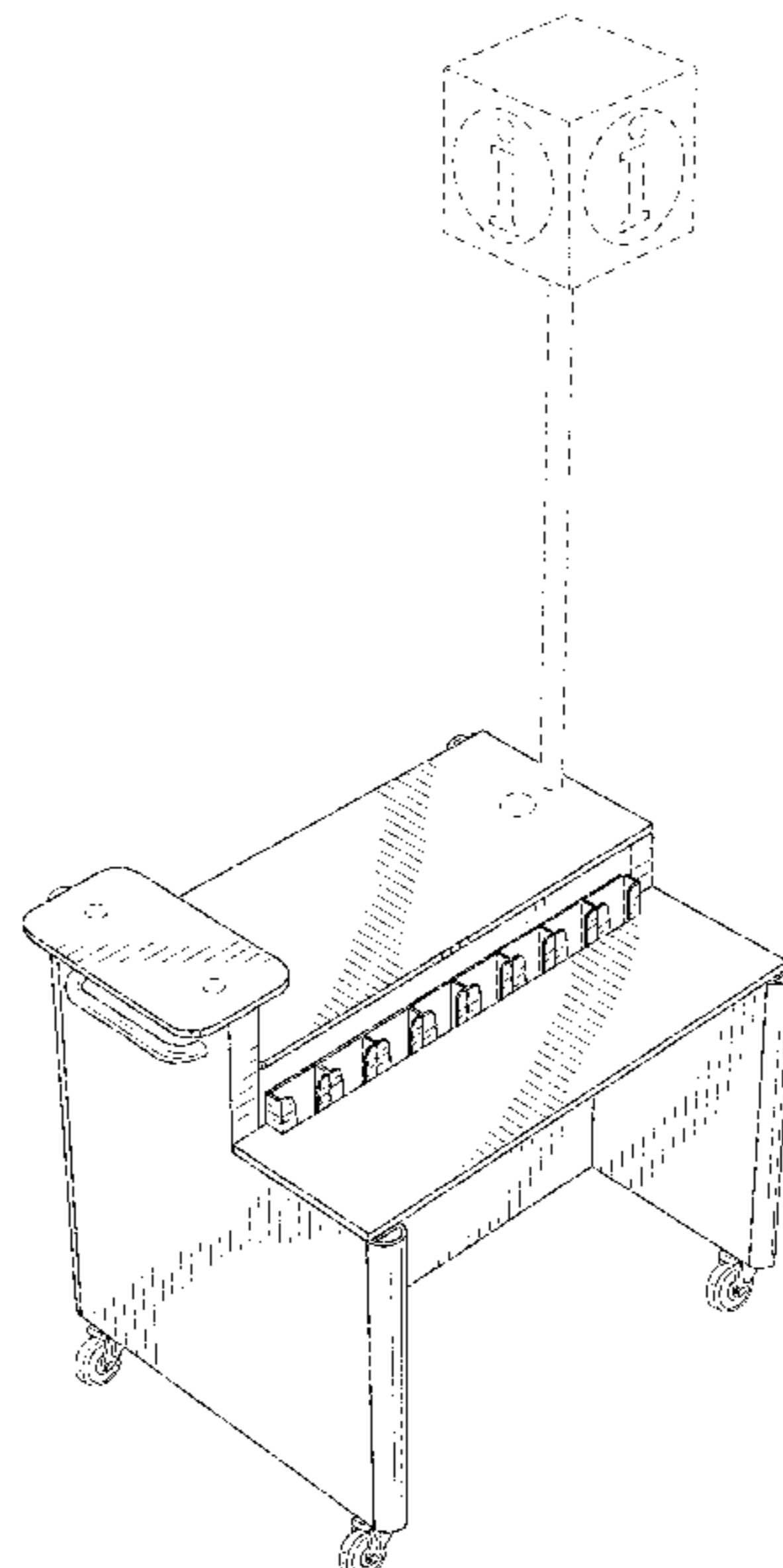
(57) **CLAIM**

I claim the ornamental design for a mobile information desk, as shown and described.

**DESCRIPTION**

FIG. 1 is a side view of a mobile information desk, showing my new design;  
FIG. 2 is an opposite side view thereof;  
FIG. 3 is a bottom view thereof;  
FIG. 4 is a top view thereof;  
FIG. 5 is a front view thereof;  
FIG. 6 is back view thereof; and,  
FIG. 7 is a perspective view thereof.  
The broken line portion of the figure drawings is included to show portions of the article the form no part of the claimed design.

**1 Claim, 7 Drawing Sheets**



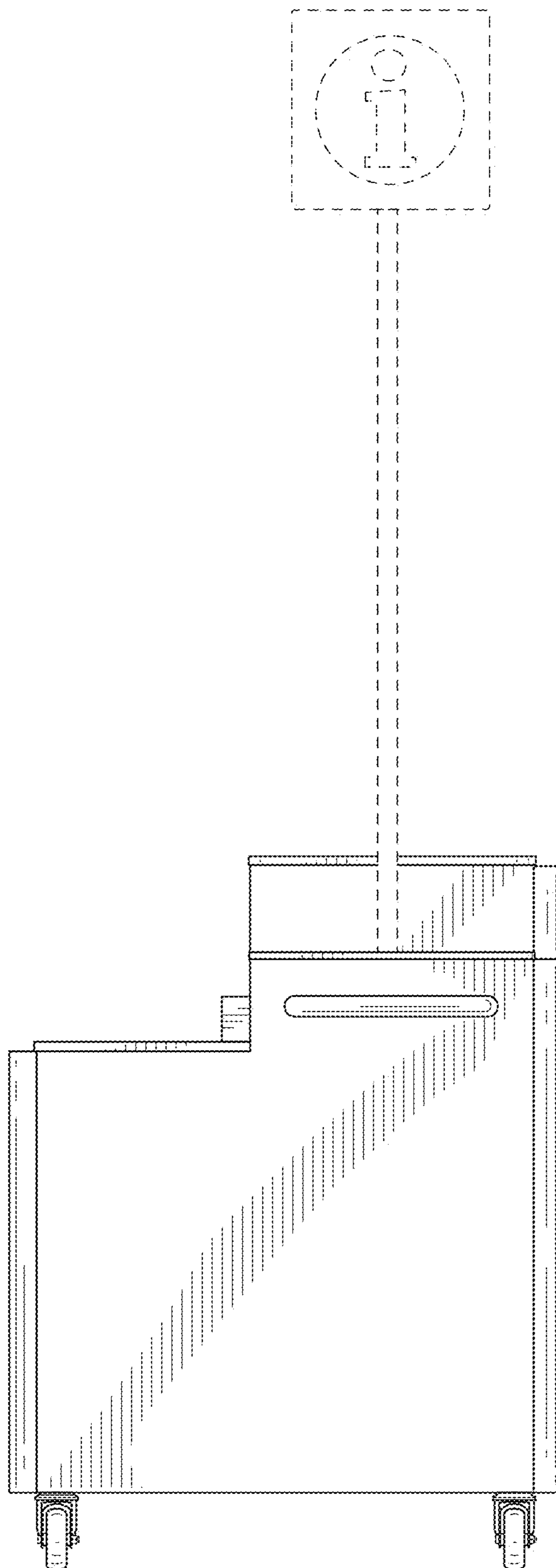


FIG. 1

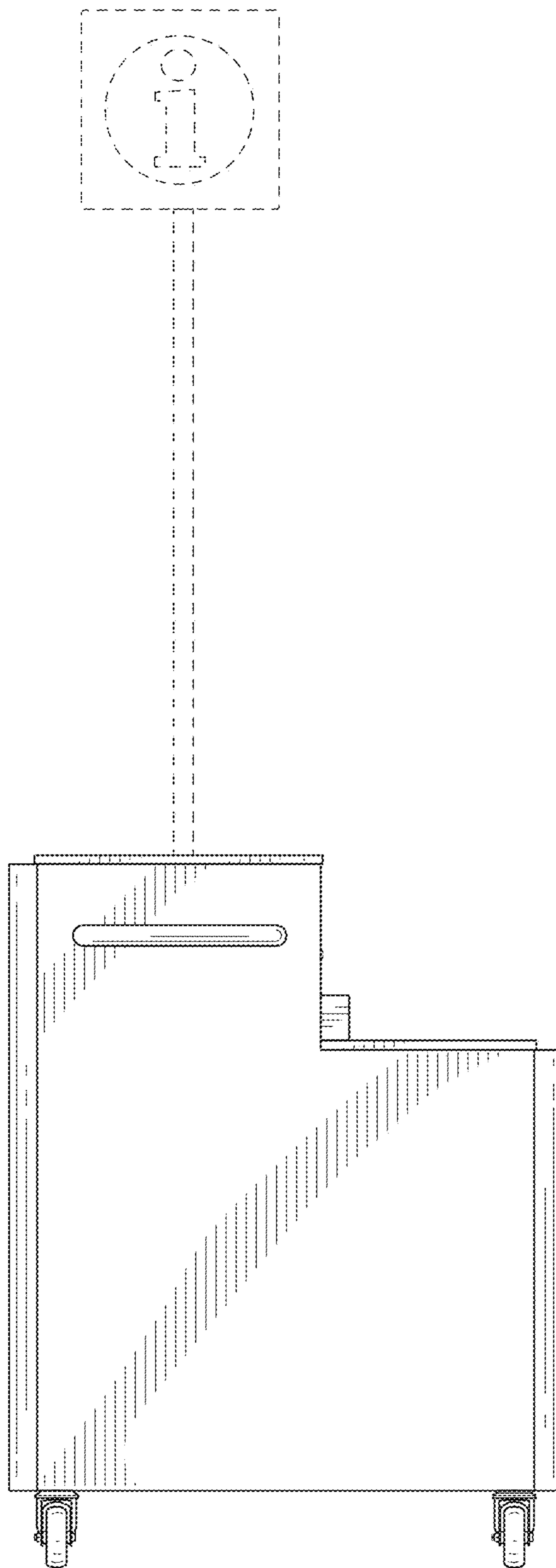


FIG. 2

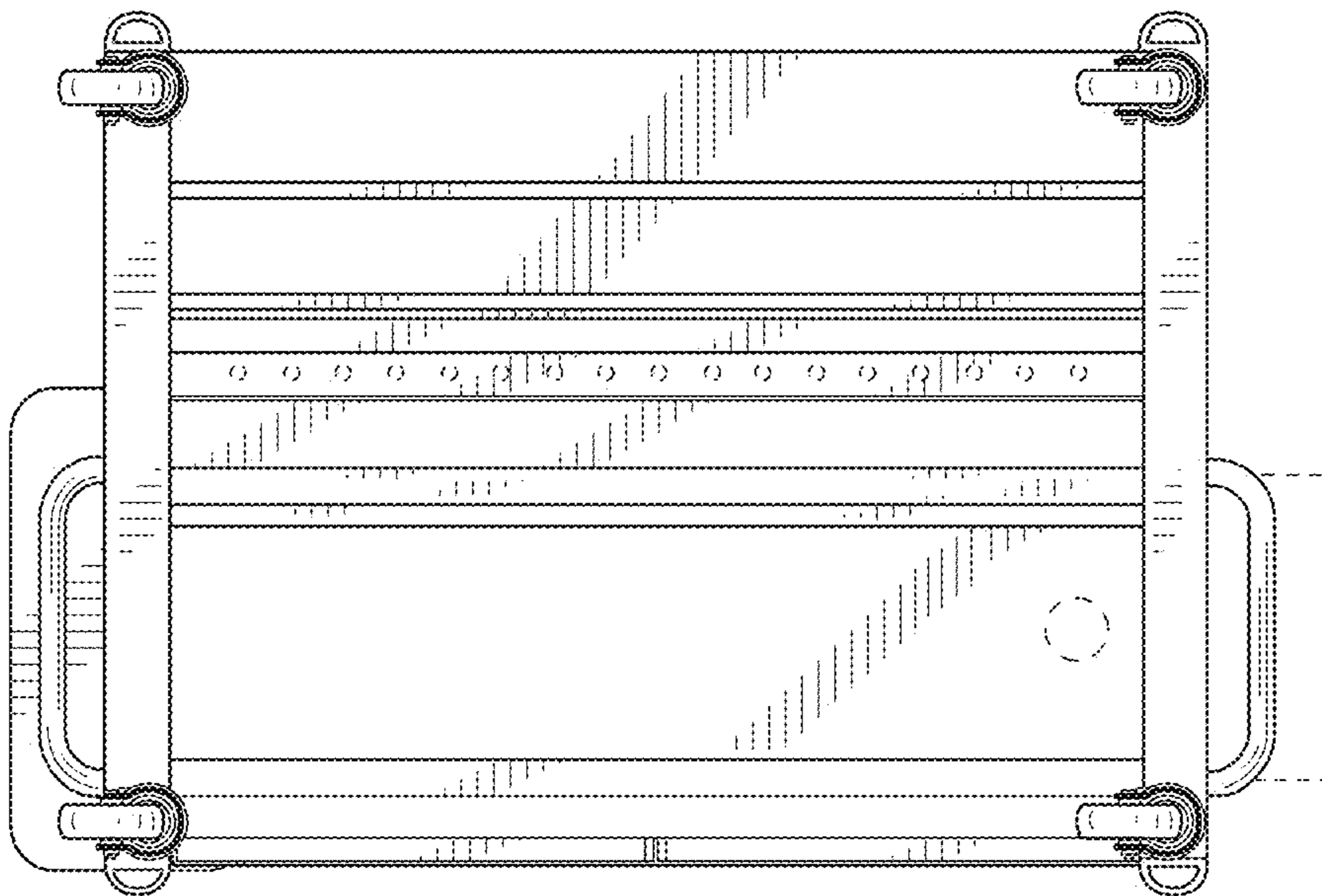


FIG. 3

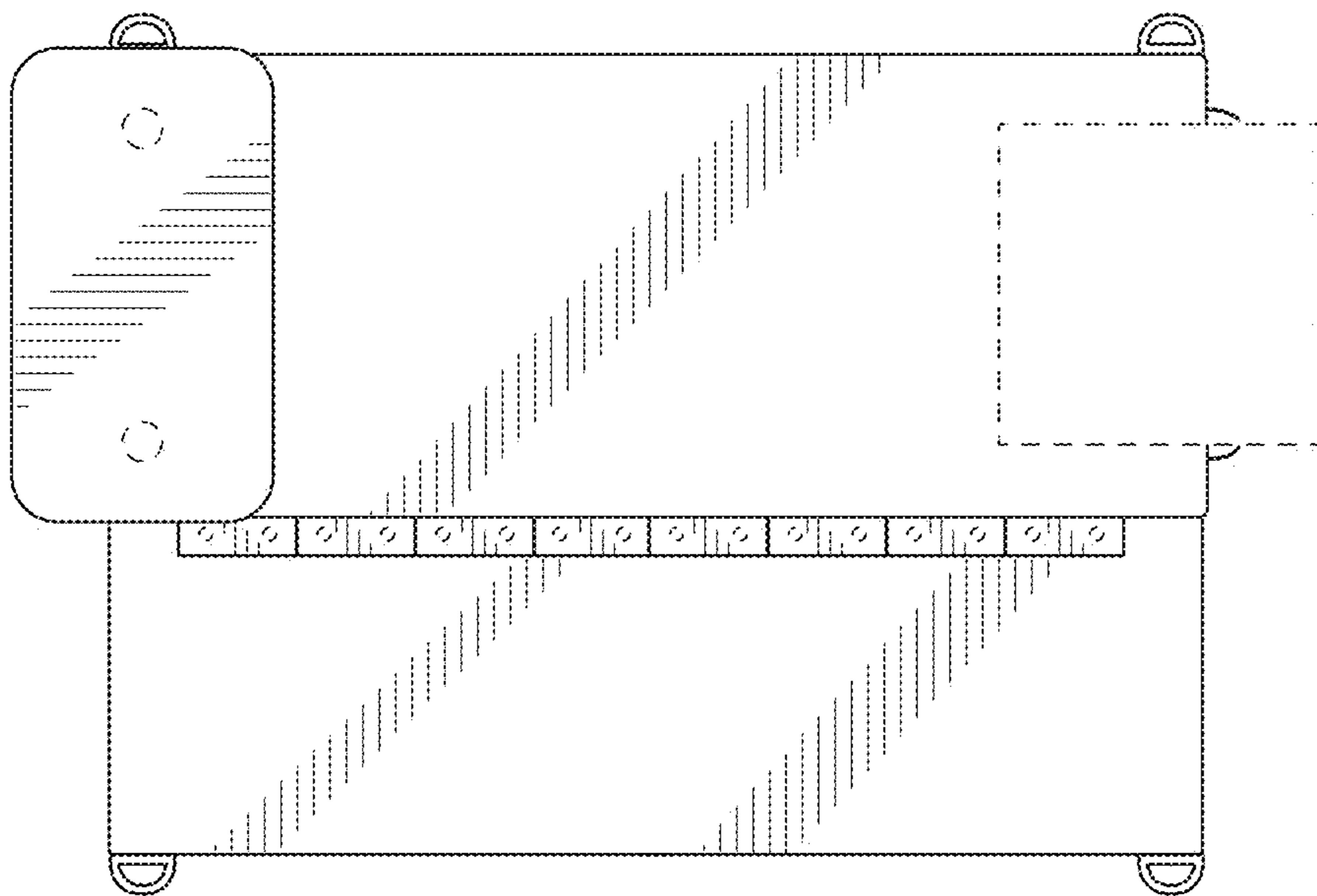


FIG. 4

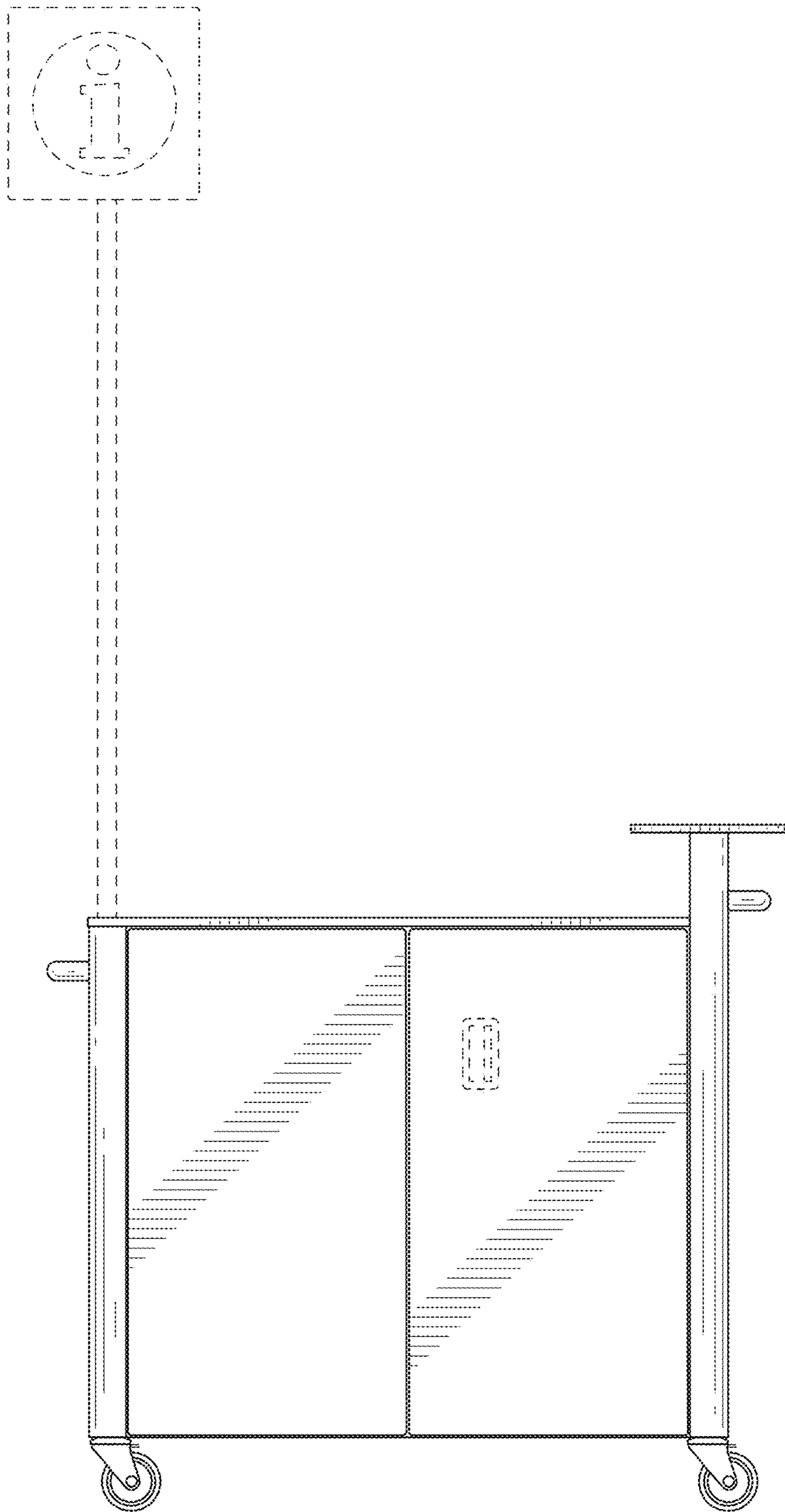


FIG. 5

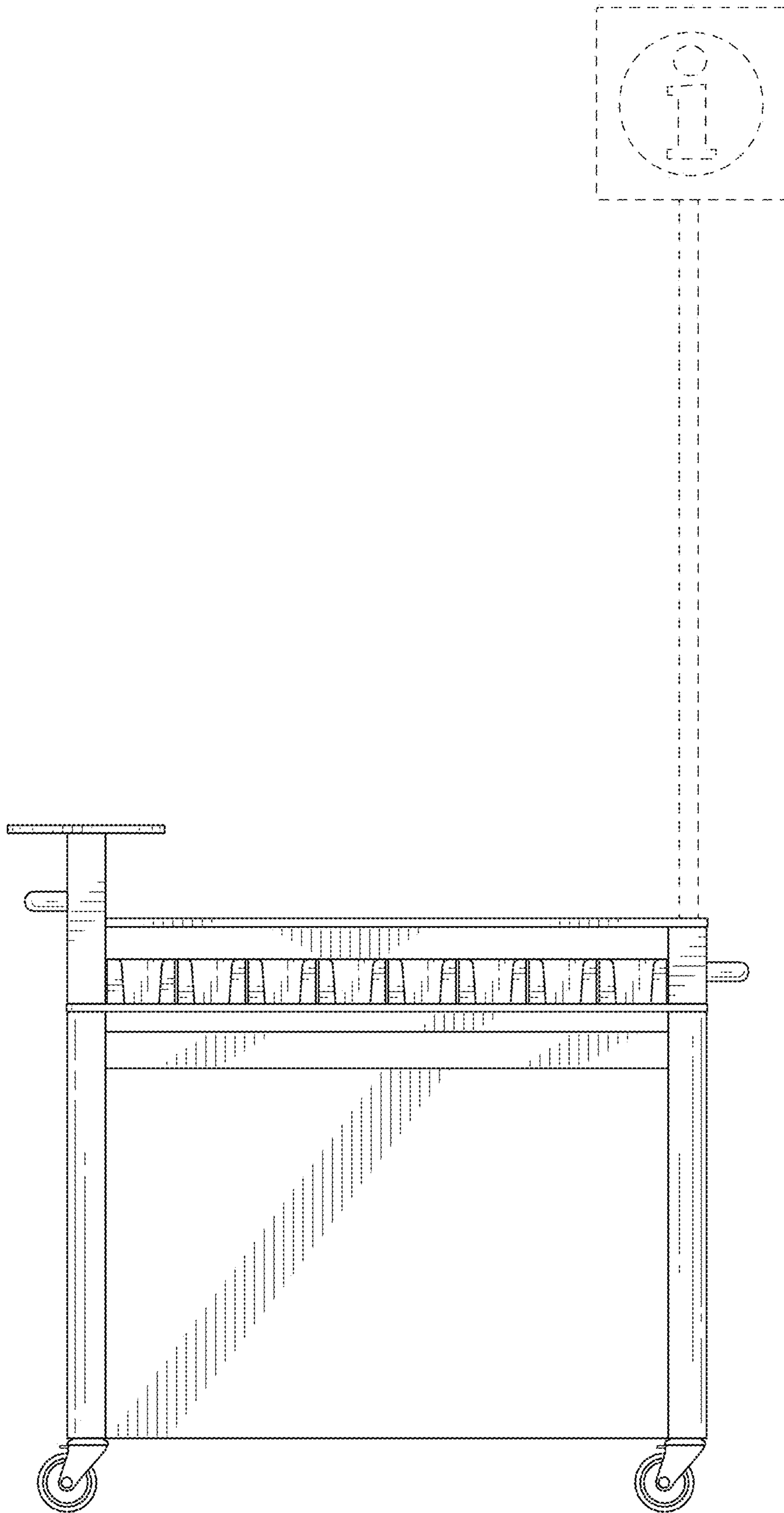


FIG. 6

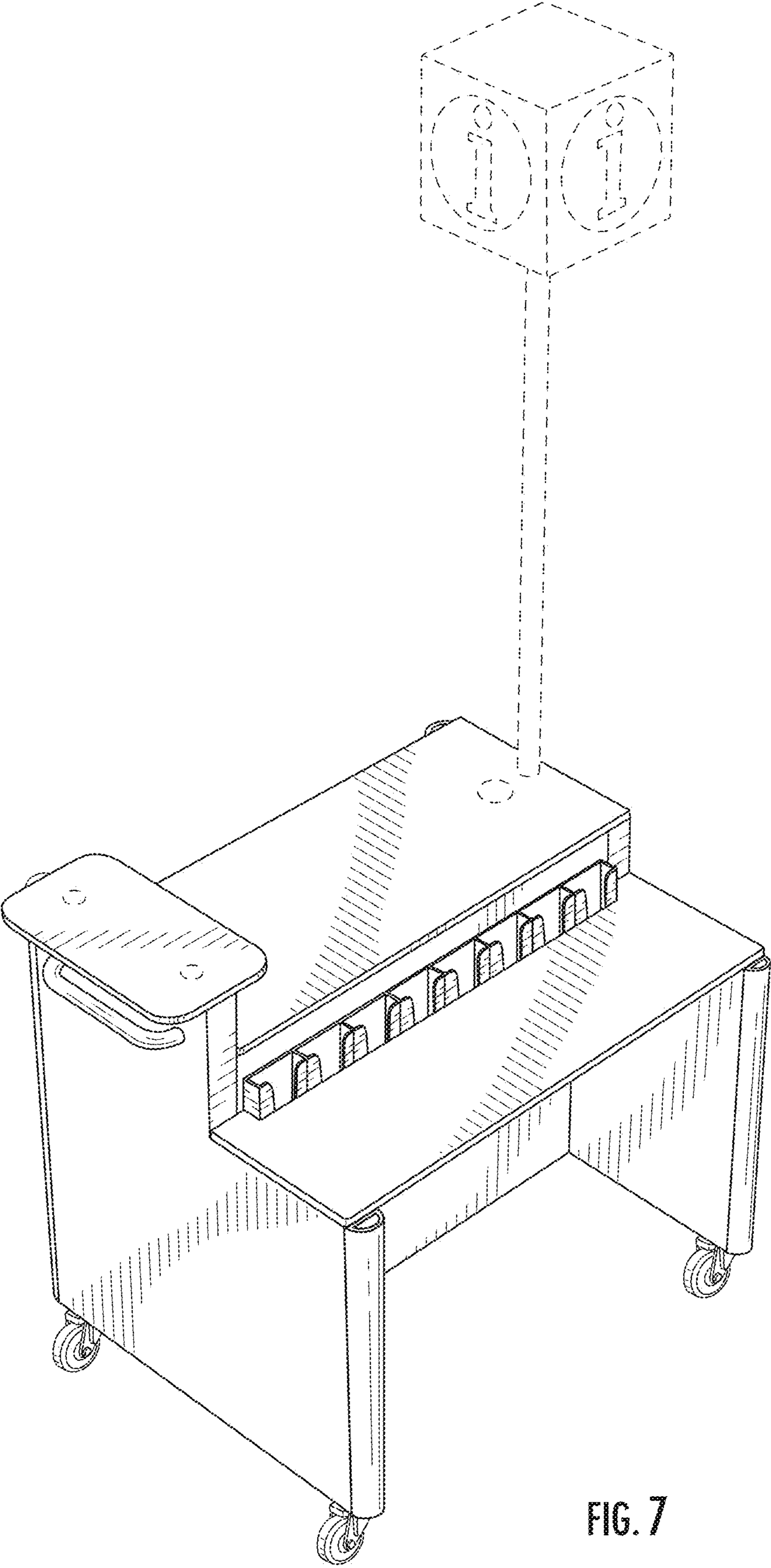


FIG. 7