

US00D899830S

(12) **United States Design Patent**
Parikh

(10) **Patent No.:** **US D899,830 S**

(45) **Date of Patent:** **** Oct. 27, 2020**

(54) **TABLE**

(71) Applicant: **Williams-Sonoma, Inc.**, San Francisco, CA (US)

(72) Inventor: **Andrea Parikh**, Brooklyn, NY (US)

(73) Assignee: **Williams-Sonoma, Inc.**, San Francisco, CA (US)

(**) Term: **15 Years**

(21) Appl. No.: **29/669,684**

(22) Filed: **Nov. 9, 2018**

(51) **LOC (12) Cl.** **06-03**

(52) **U.S. Cl.**
USPC **D6/692.5; D6/687; D6/682.6**

(58) **Field of Classification Search**
USPC D6/685-687, 692, 392.1-692.6
CPC A47B 7/00; A47B 7/02; A47B 9/00; A47B 13/00; A47B 13/02; A47B 13/08; A47B 2200/0001; A47B 2200/0011; A47B 2200/002

See application file for complete search history.

(56) **References Cited**

U.S. PATENT DOCUMENTS

D93,307 S * 9/1934 Treitel D6/692
D134,388 S * 11/1942 Waltman D6/692

D134,978 S * 2/1943 Waltman D6/692
D370,142 S * 5/1996 Konecny D6/677.1
D402,142 S * 12/1998 Muller D6/692
D407,241 S * 3/1999 Lewis D6/692
D578,320 S * 10/2008 Weatherly D6/692
D850,832 S * 6/2019 Bieschke D6/692.5

* cited by examiner

Primary Examiner — Mary Ann Calabrese

(74) *Attorney, Agent, or Firm* — Cook Alex Ltd.; R. Blake Johnston

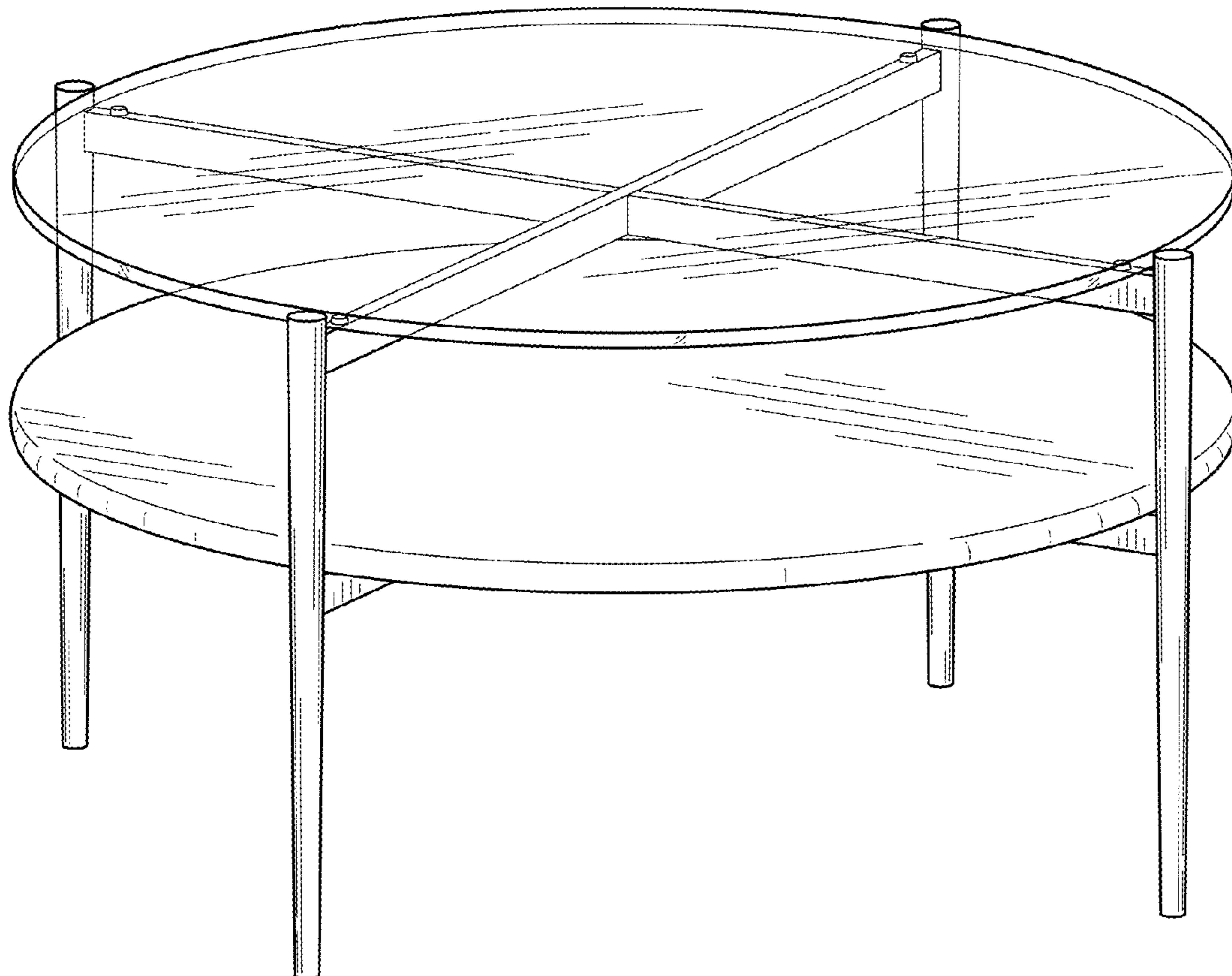
(57) **CLAIM**

The ornamental design for a table, as shown and described.

DESCRIPTION

FIG. 1 is a perspective view of the table;
FIG. 2 is a front elevational view of the table, the opposite side of which is a mirror image;
FIG. 3 is a left side elevational view of the table, the opposite side of which is a mirror image;
FIG. 4 is a top plan view of the table; and,
FIG. 5 is a bottom plan view of the table.

1 Claim, 5 Drawing Sheets



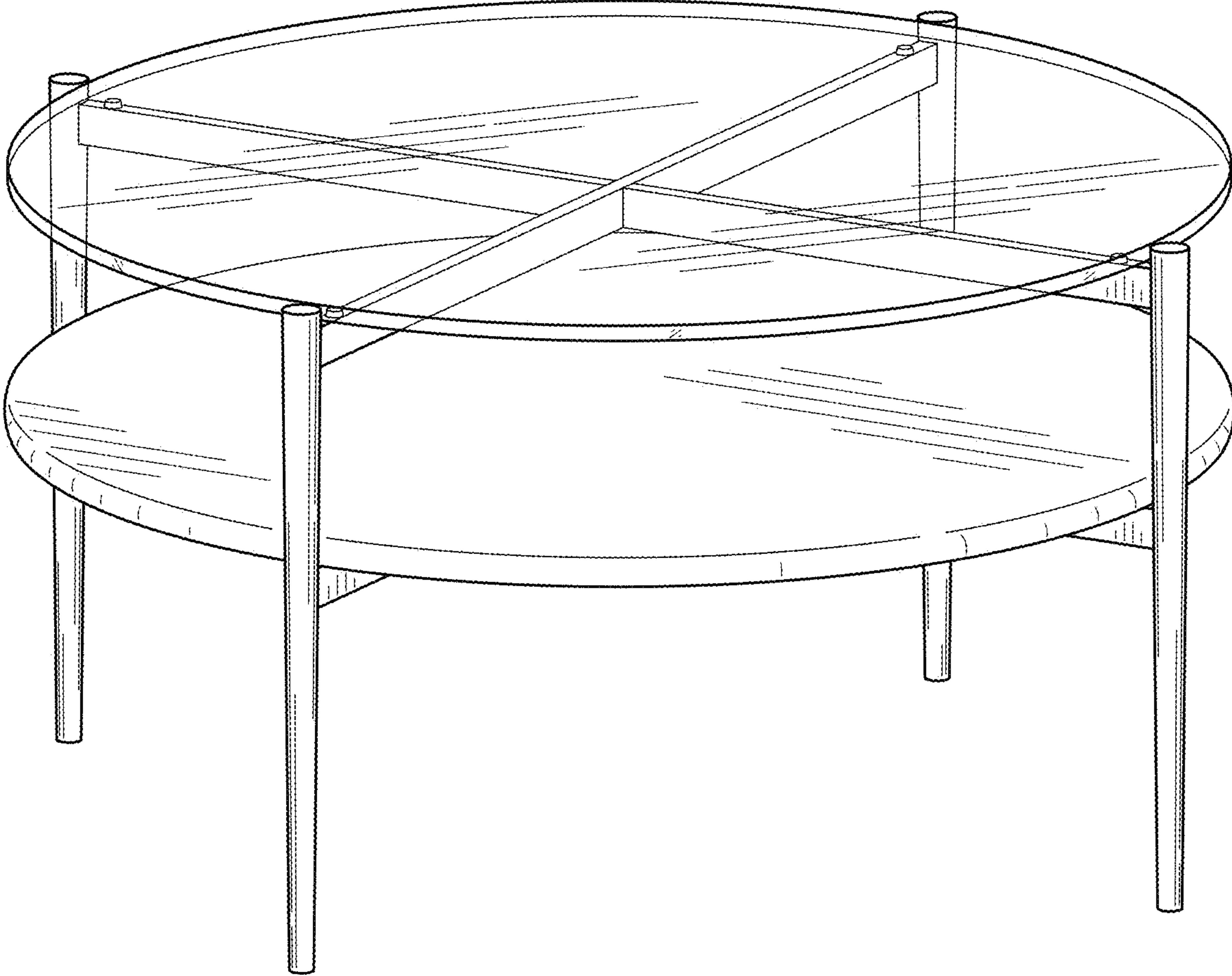


FIG. 1

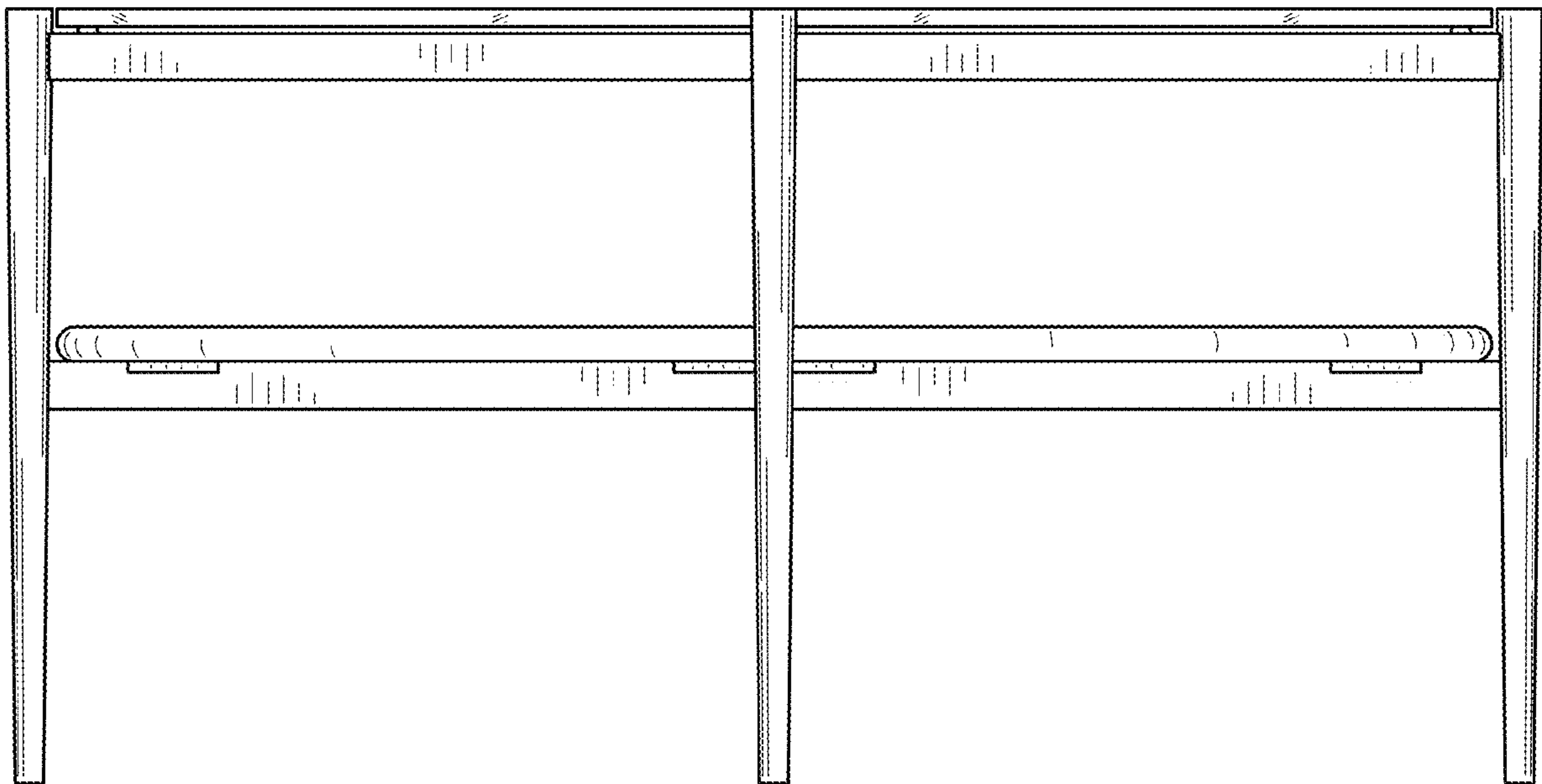


FIG. 2

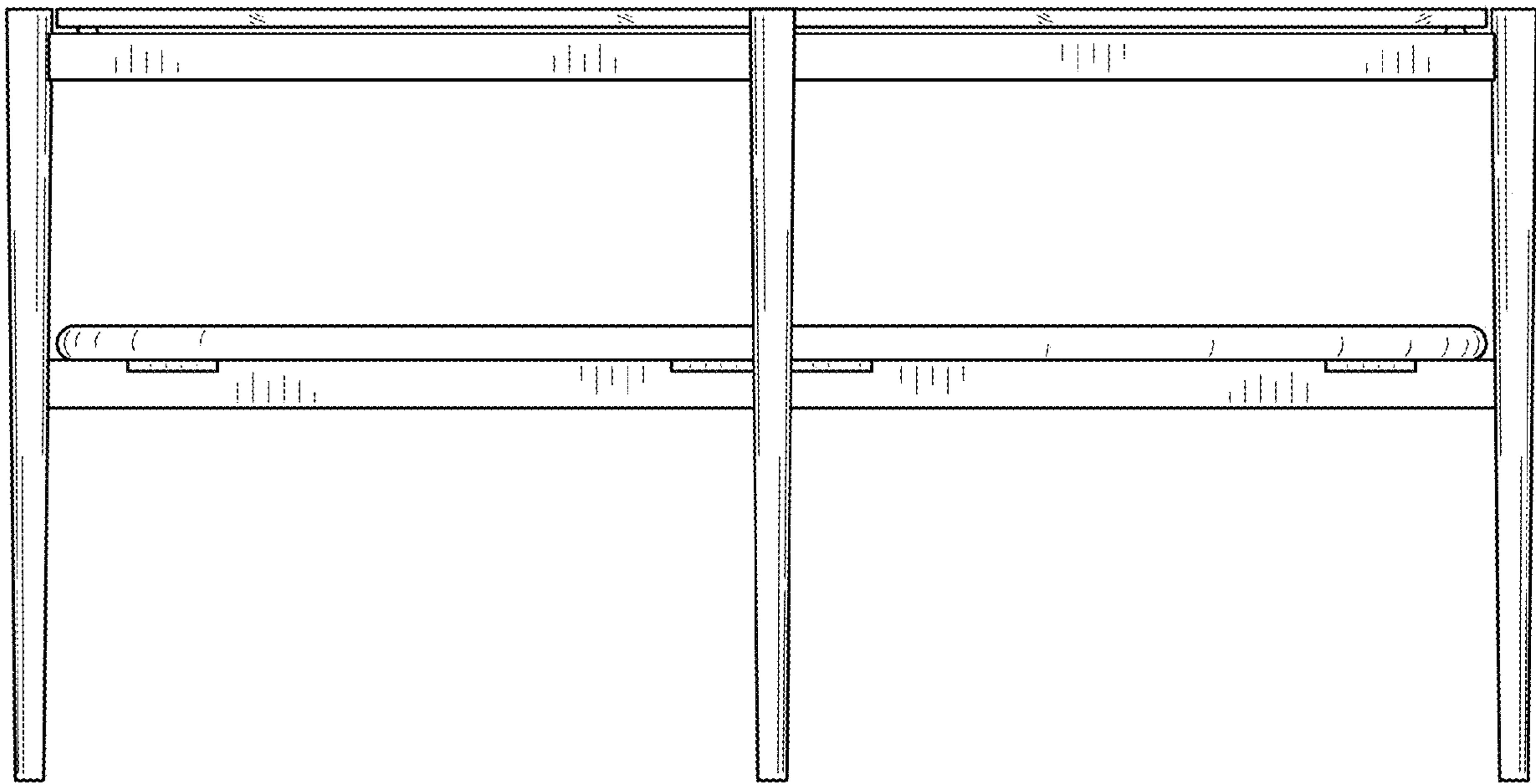


FIG. 3

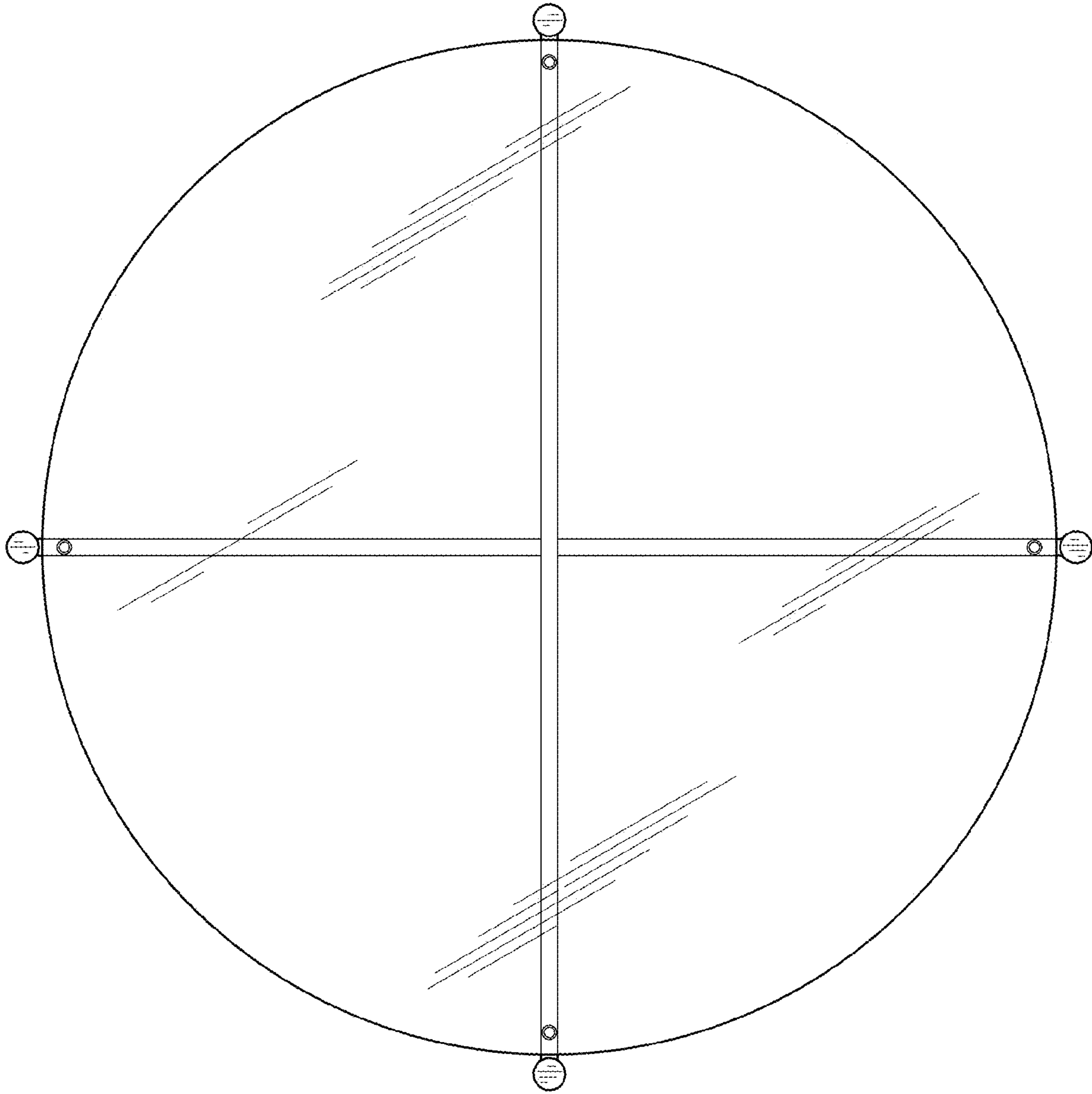


FIG. 4

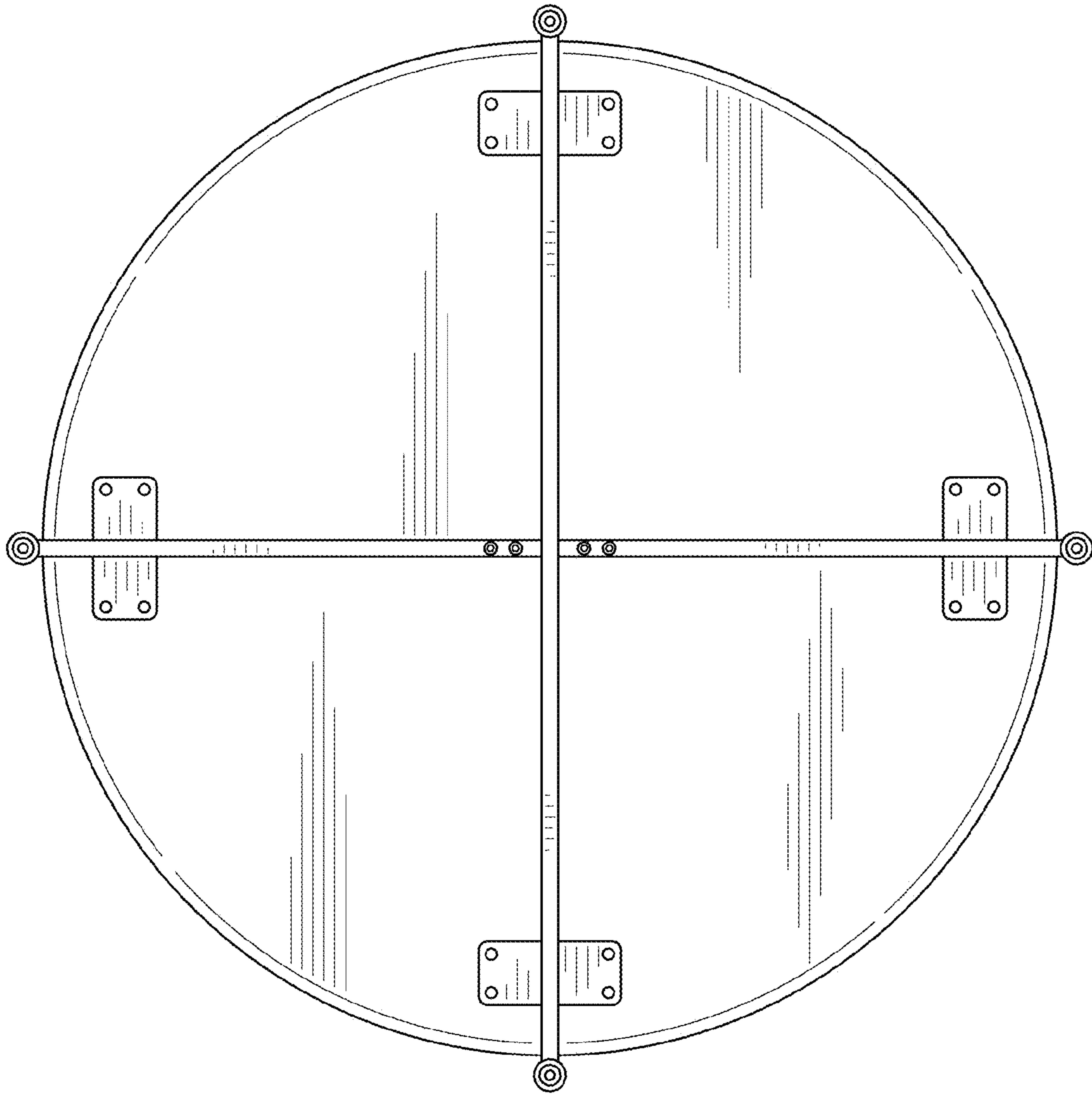


FIG. 5