



US00D899829S

(12) **United States Design Patent**
Liang

(10) **Patent No.:** **US D899,829 S**

(45) **Date of Patent:** **** Oct. 27, 2020**

(54) **COMBINED TABLE WITH HEATER**

(71) Applicant: **Zhejiang Jiangxing Electric Appliance Co., Ltd., Zhejiang (CN)**

(72) Inventor: **Haifang Liang, Zhejiang (CN)**

(**) Term: **15 Years**

(21) Appl. No.: **29/676,915**

(22) Filed: **Jan. 15, 2019**

D427,812 S *	7/2000	Donnelly	D6/349
D570,977 S *	6/2008	McColgin	D23/336
D590,201 S *	4/2009	Zagar	A47B 3/0815
				D7/335
7,984,679 B1 *	7/2011	McFee	A47B 3/0815
				108/106
D689,719 S *	9/2013	Mari	D6/686
8,863,673 B2 *	10/2014	Diepenbrock	A47B 13/088
				108/50.13
D716,593 S *	11/2014	Rubio	D6/686
D762,405 S *	8/2016	Werner	D6/692
D801,738 S *	11/2017	AlMaghlouth	D6/692
D868,230 S *	11/2019	Nitschmann	A47B 13/088
				D23/343

(30) **Foreign Application Priority Data**

Sep. 8, 2018 (CN) 2018 3 0504945

(51) **LOC (12) Cl.** **06-03**

(52) **U.S. Cl.**
USPC **D6/686; D6/692; D23/342**

(58) **Field of Classification Search**
USPC D6/685-687, 692, 692.1-692.6; D7/335;
D23/314, 332, 334-336, 339, 342, 348
CPC A47B 7/00; A47B 13/00; A47B 13/02;
A47B 13/04; A47B 13/06; A47B 13/08;
A47B 13/10; A47B 13/012; A47B 13/16;
A47B 21/00; A47B 37/00; A47B
2200/0001; A47B 2200/0011; A47B
2200/002; F24B 1/18; F24B 1/1802;
F24C 3/00; F24C 5/00

See application file for complete search history.

(56) **References Cited**

U.S. PATENT DOCUMENTS

D93,307 S * 9/1934 Trietel D6/692
D134,388 S * 11/1942 Waltman D6/692

* cited by examiner

Primary Examiner — Mary Ann Calabrese

(74) *Attorney, Agent, or Firm* — Prakash Nama; Global IP Services, PLLC

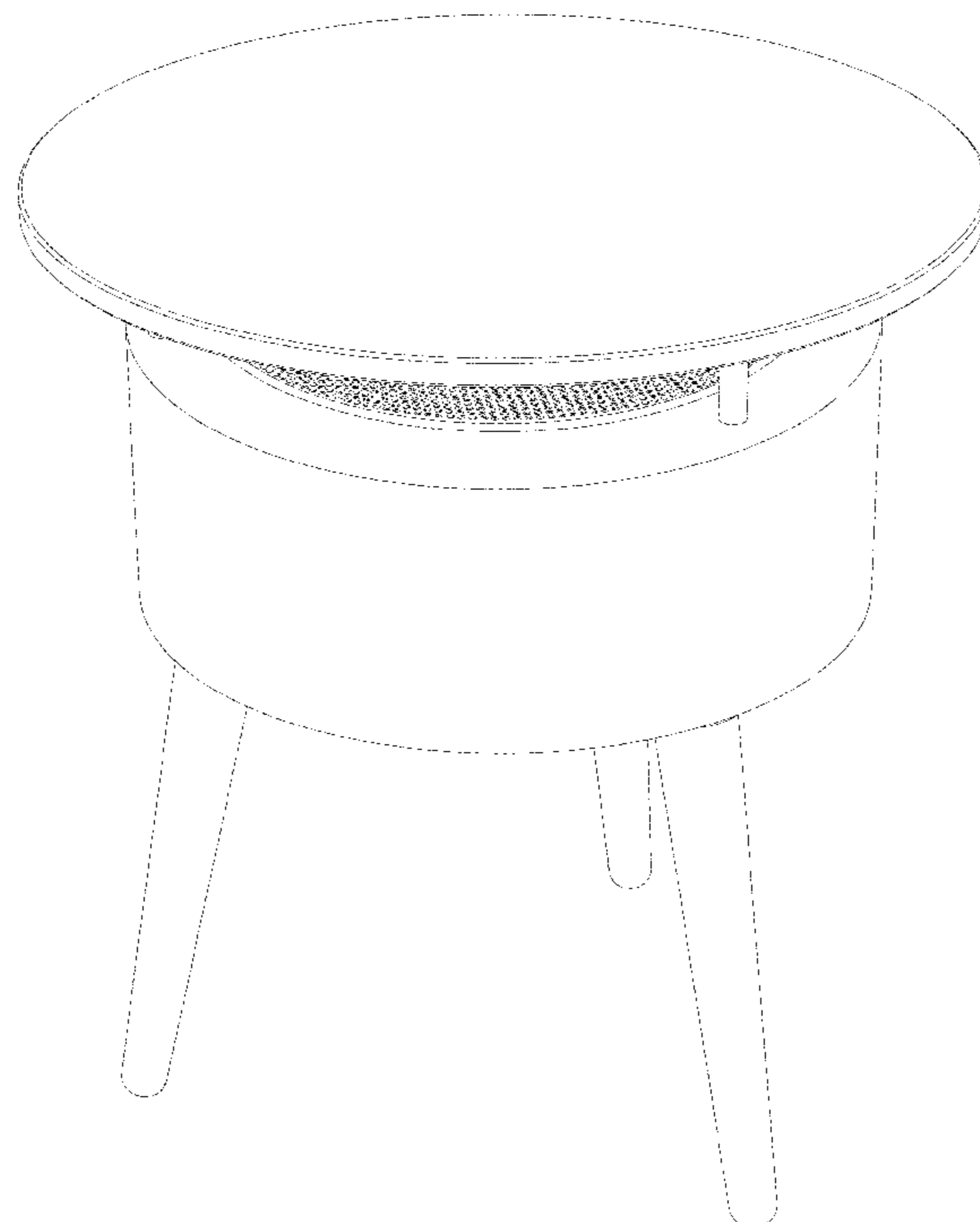
(57) **CLAIM**

The ornamental design for a combined table with heater, as shown and described.

DESCRIPTION

FIG. 1 is a front elevational view of combined table with heater showing my new design;
FIG. 2 is a rear elevational view thereof;
FIG. 3 is a left side view thereof;
FIG. 4 is a right side view thereof;
FIG. 5 is a top plan view thereof;
FIG. 6 is a bottom plan view thereof; and,
FIG. 7 is a perspective view thereof.
The broken lines shown in the combined table with heater form no part of the claimed design.

1 Claim, 7 Drawing Sheets



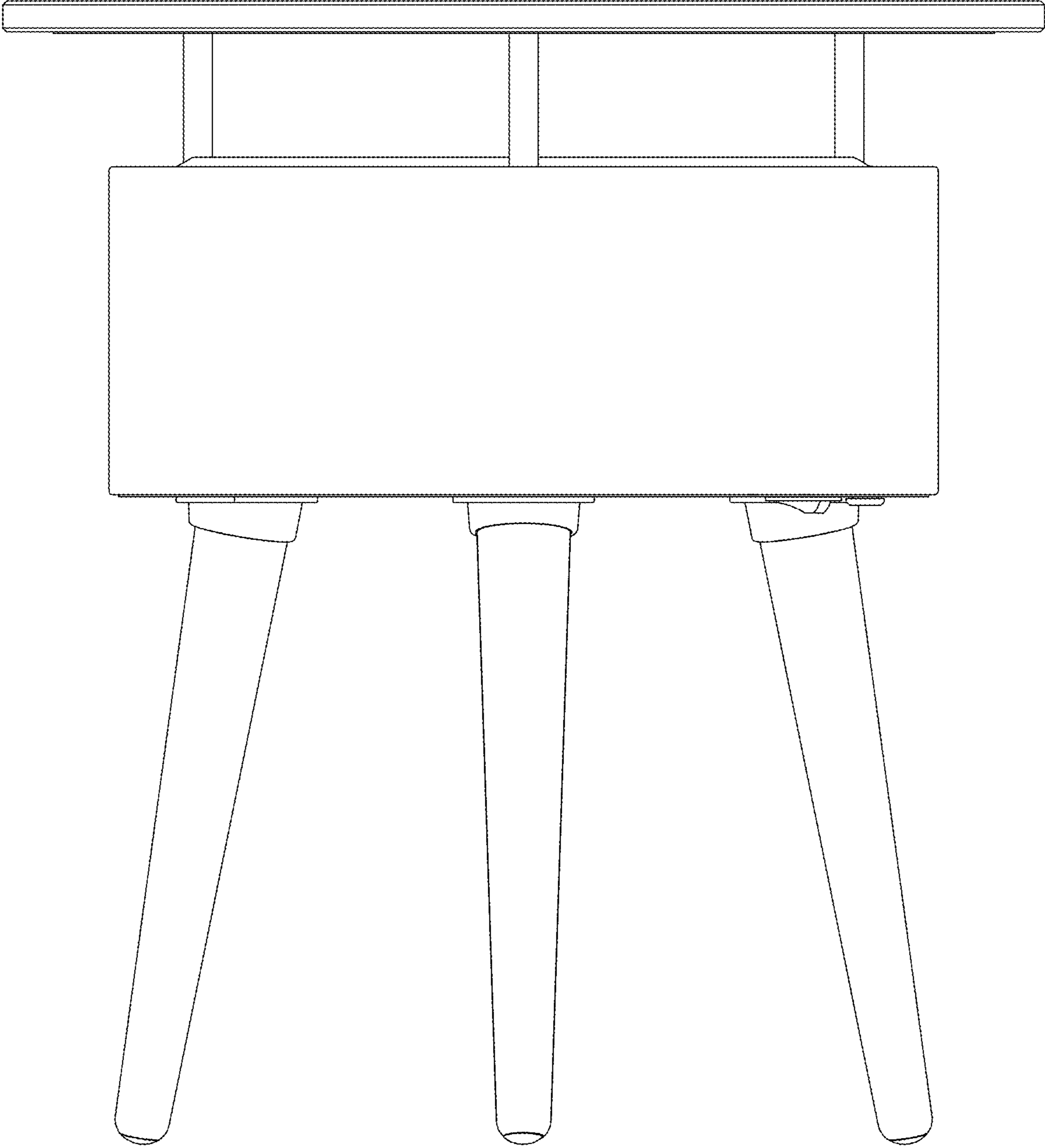


FIG. 1

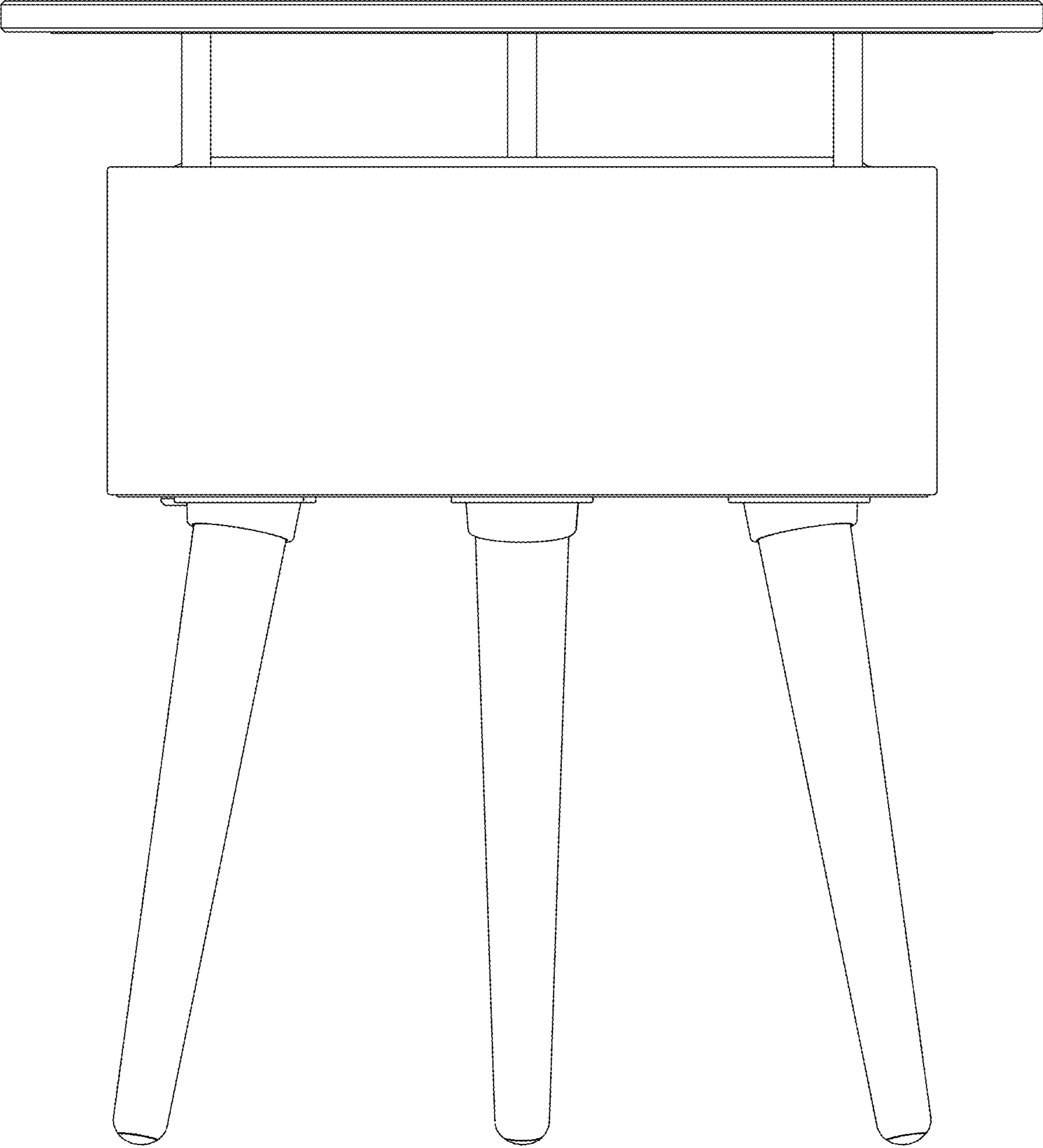


FIG.2

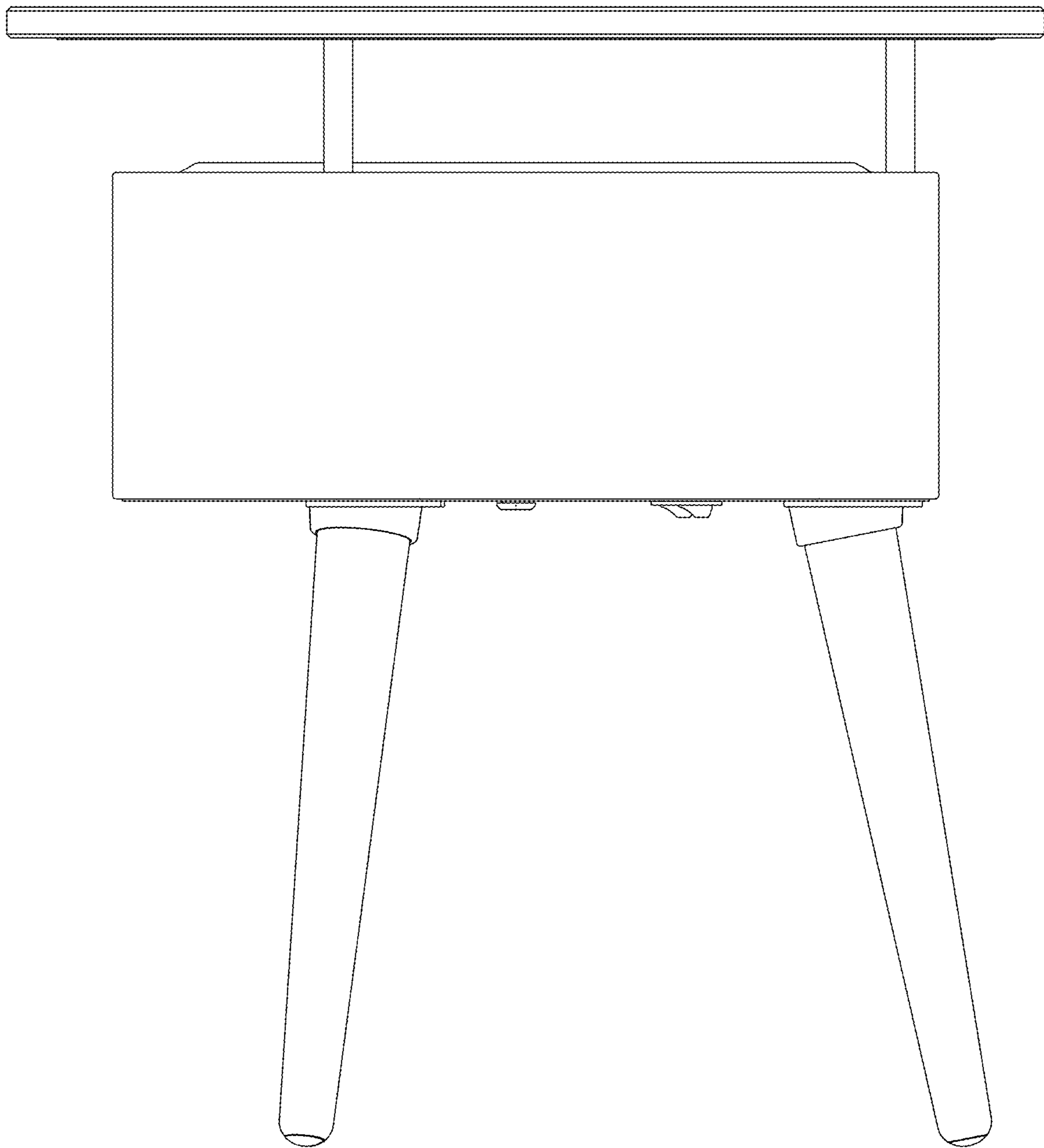


FIG.3

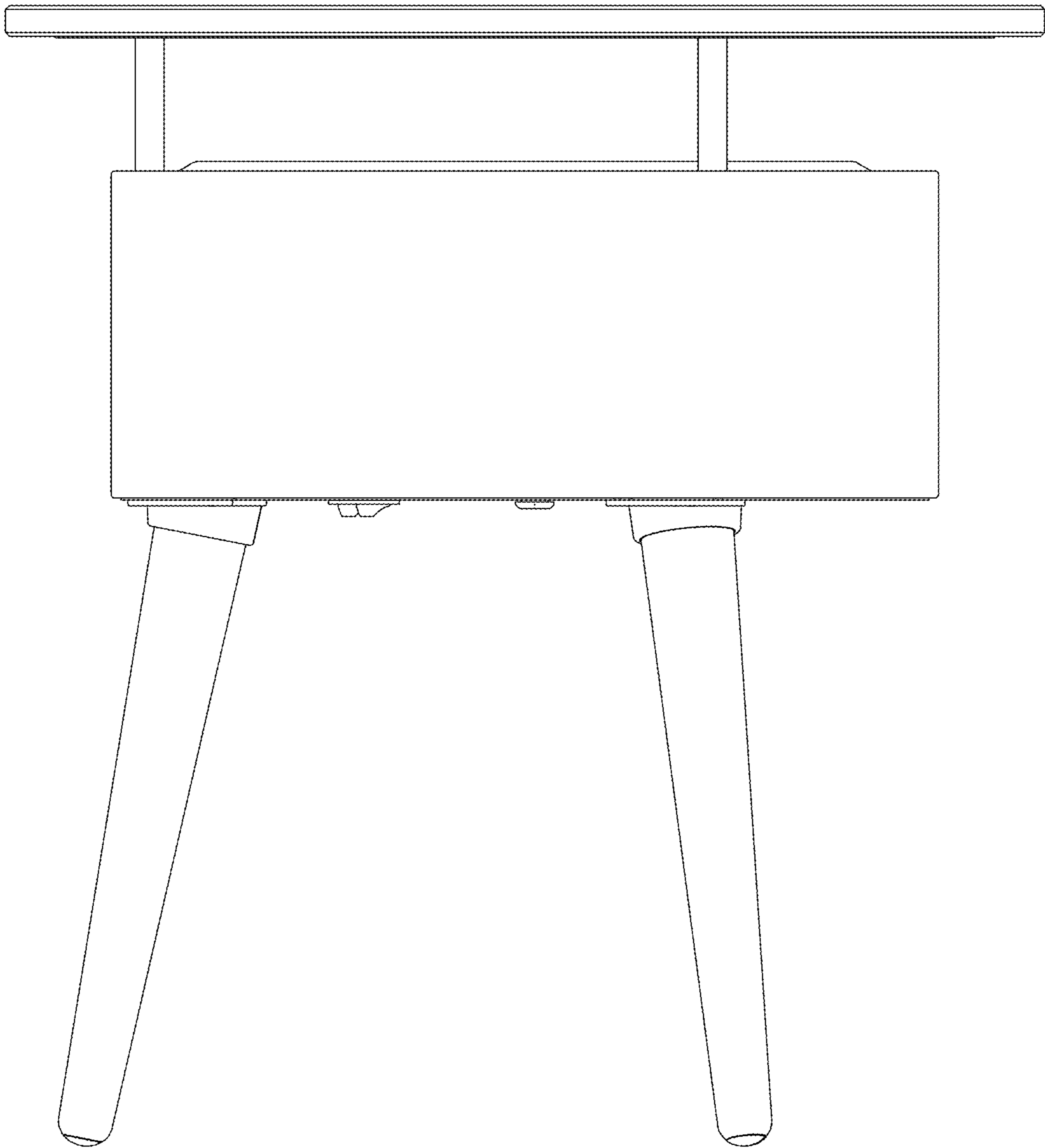


FIG.4

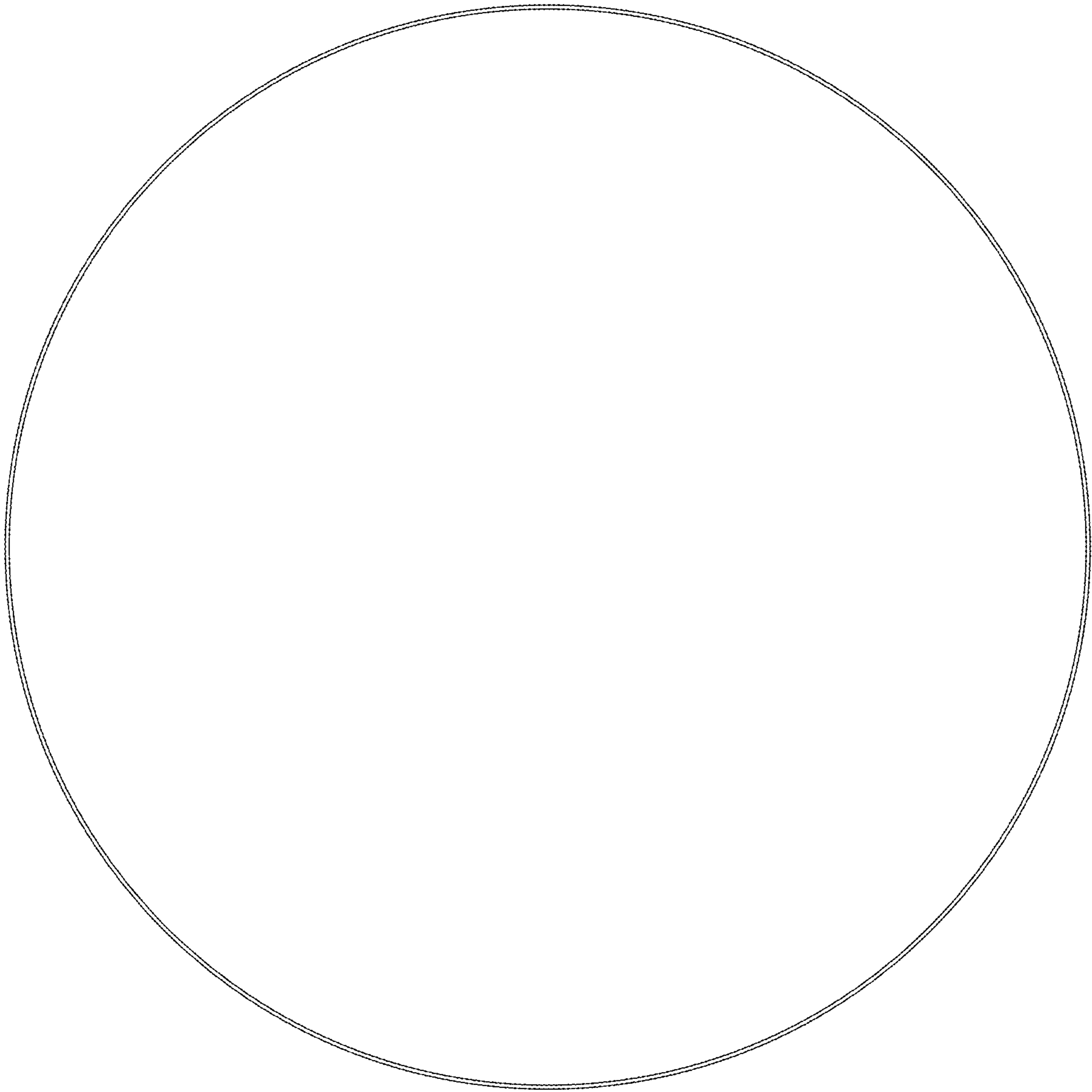


FIG.5

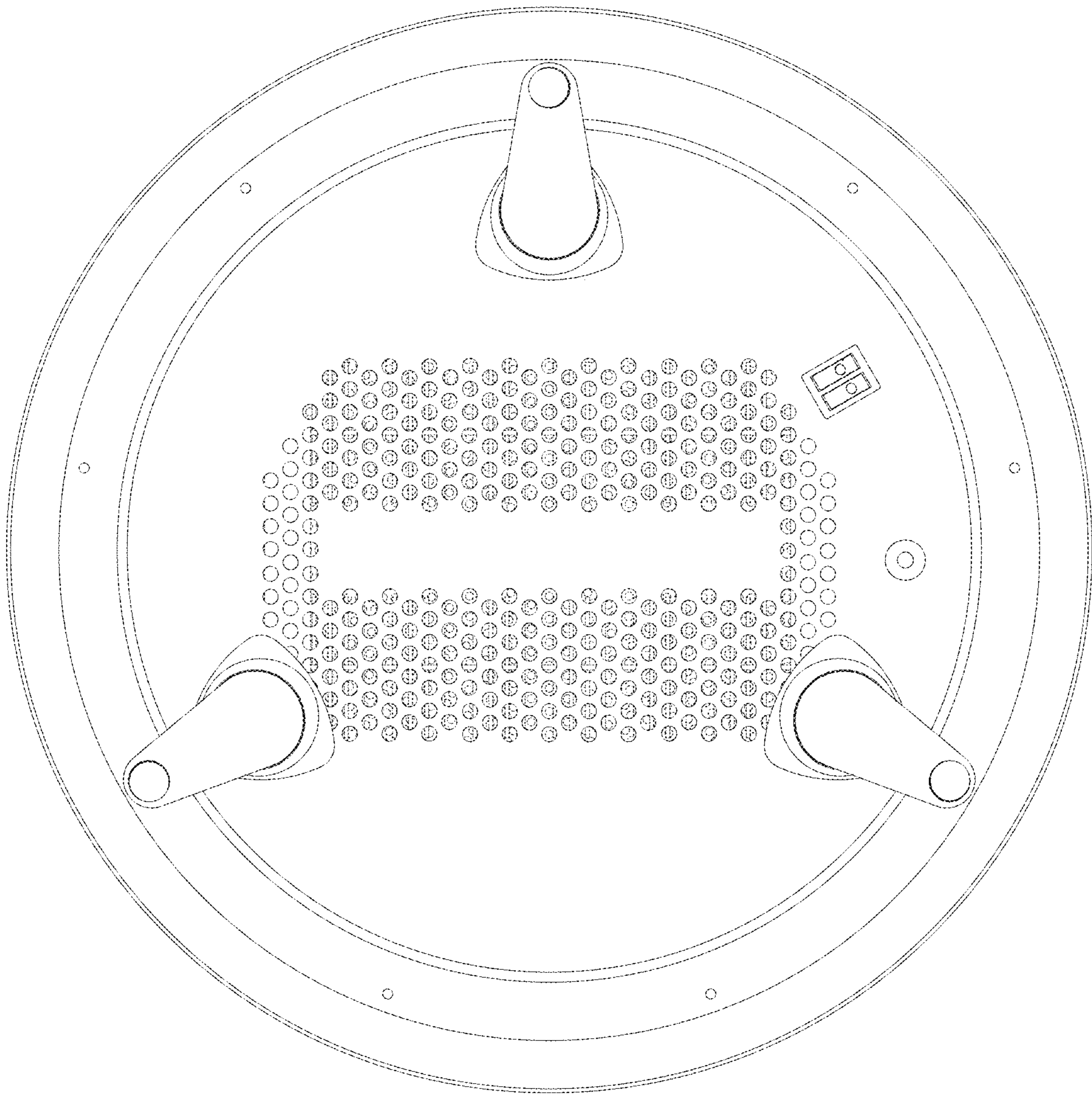


FIG.6

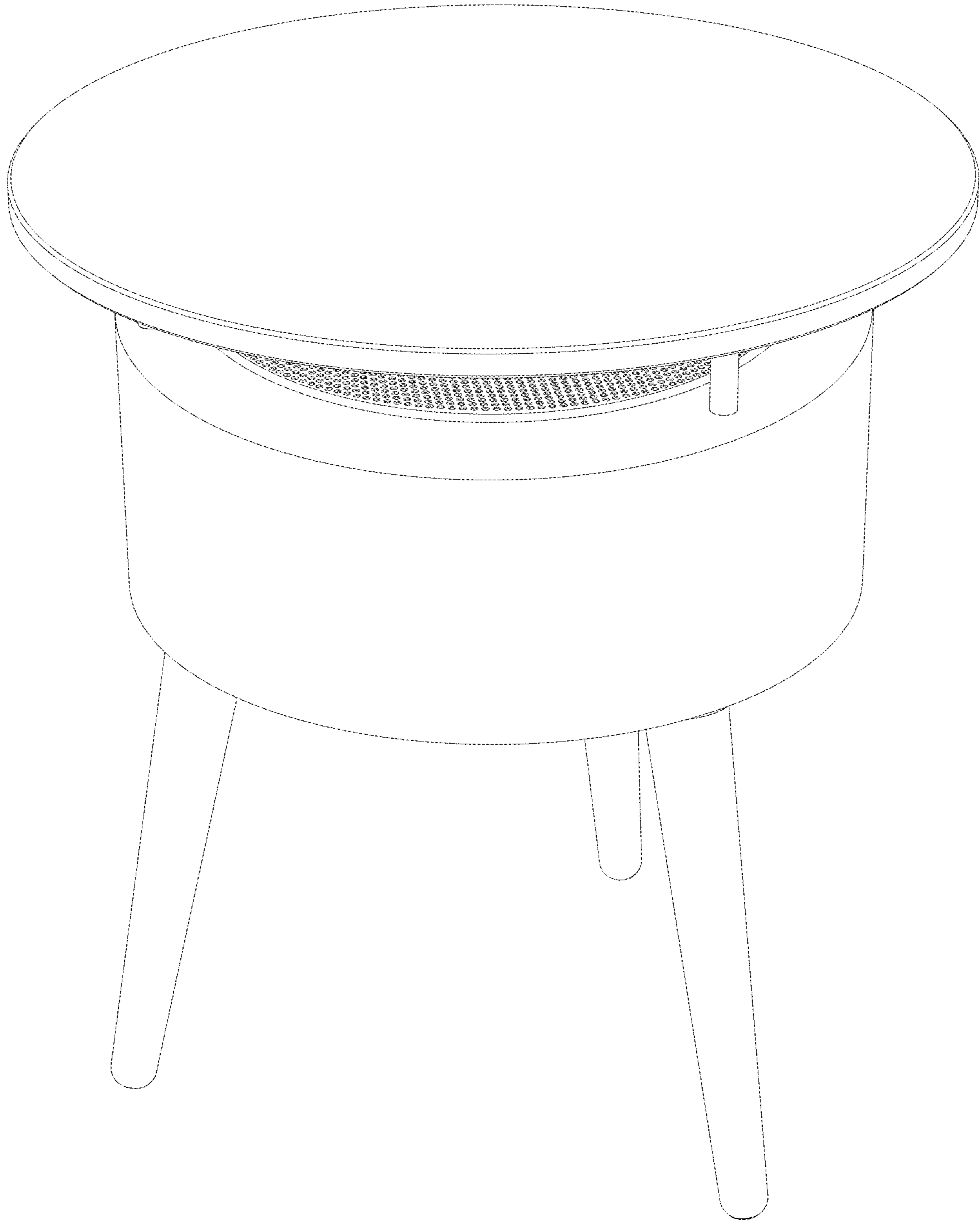


FIG.7

UNITED STATES PATENT AND TRADEMARK OFFICE
CERTIFICATE OF CORRECTION

PATENT NO. : D899,829 S
APPLICATION NO. : 29/676915
DATED : October 27, 2020
INVENTOR(S) : Haifang Liang


Page 1 of 1

It is certified that error appears in the above-identified patent and that said Letters Patent is hereby corrected as shown below:

On the Title Page

Item (71) The Applicant's name should be corrected from:
Zhejiang Jiangxing Electric Appliance Co., Ltd.

To:
Zhejiang Jiaying Electric Appliance Co., Ltd.

Signed and Sealed this
Tenth Day of September, 2024

Katherine Kelly Vidal
Director of the United States Patent and Trademark Office