



US00D899827S

(12) **United States Design Patent**
Louden

(10) **Patent No.:** **US D899,827 S**

(45) **Date of Patent:** **** Oct. 27, 2020**

- (54) **POLE STAND**
- (71) Applicant: **Kelly Loudon**, Redmond, OR (US)
- (72) Inventor: **Kelly Loudon**, Redmond, OR (US)
- (73) Assignee: **Kelly Loudon**, Bend, OR (US)
- (**) Term: **15 Years**
- (21) Appl. No.: **29/611,784**
- (22) Filed: **Jul. 25, 2017**
- (51) **LOC (12) Cl.** **20-02**
- (52) **U.S. Cl.**
USPC **D6/681.1**
- (58) **Field of Classification Search**
USPC ... D6/672, 681, 681.1, 682.3, 682.5, 708.17,
D6/712; D11/166, 181, 182; D20/17,
D20/41; D21/837, 839; D25/126, 56,
D25/58, 66; D30/151, 154; D32/60
CPC E04F 21/18; E04G 21/24; E04G 21/243;
E04G 21/30; E04G 25/065; E04G 12/06;
E04H 12/2269; E04H 12/2261; E04H
12/22; E04H 12/2238; E04H 12/08
See application file for complete search history.

2,548,844 A * 4/1951 Myers E04G 25/06
254/98
2,665,104 A * 1/1954 Myers B66F 13/00
254/98
2,762,599 A * 9/1956 Faris E04G 25/06
254/100

(Continued)

OTHER PUBLICATIONS

Foot Pads for a Canopy, Hardware, Home Improvement, amazon .com, Publish date of Feb. 3, 2012, <https://www.amazon.com/DIAMETER-FOOT-PAD-CANOPY/dp/B00721WYD6>.*

Primary Examiner — Steven J Czyn

(74) *Attorney, Agent, or Firm* — Kilpatrick Townsend & Stockton LLP

(57) **CLAIM**

The ornamental design for a pole stand, as shown and described.

DESCRIPTION

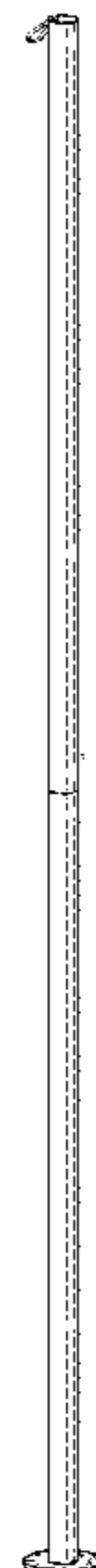
FIG. 1 is a perspective view of a pole stand showing the new design;
 FIG. 2 is a top plan view thereof;
 FIG. 3 is a bottom plan view thereof;
 FIG. 4 is a front elevation view thereof disassembled;
 FIG. 5 is a rear elevation view thereof;
 FIG. 6 is a left side elevation view thereof;
 FIG. 7 is a right side elevation view thereof;
 FIG. 8 is a close up perspective view of the pole; and
 FIG. 9 is a close up perspective view of the pole and flange.
 FIG. 10 is a perspective view of a second embodiment of a pole stand showing the new design;
 FIG. 11 is a close up perspective view of the pole and flange thereof; and,
 FIG. 12 is a close up top plan view thereof.
 The broken lines depict portions of the article that form no part of the claimed design.

1 Claim, 4 Drawing Sheets

(56) **References Cited**

U.S. PATENT DOCUMENTS

- 565,618 A * 8/1896 Harman et al. E04H 12/2276
52/297
- 1,669,611 A * 5/1928 Goldberg E04H 15/26
135/114
- 1,734,170 A * 11/1929 Leffert E04H 15/60
135/114
- 2,293,251 A * 8/1942 Fords D06F 53/04
211/119.1
- 2,486,696 A * 11/1949 Wenzel D06F 53/04
248/353
- 2,492,517 A * 12/1949 Bernick A47B 61/003
211/123



(56)

References Cited

U.S. PATENT DOCUMENTS

2,776,811 A *	1/1957	Shaffer	E04G 25/06 248/542	5,784,983 A *	7/1998	Stegall	B63B 29/04 114/363
2,815,762 A *	12/1957	Smith	B60P 3/38 135/88.14	5,860,253 A *	1/1999	Lapointe	G09F 7/18 248/548
2,957,669 A *	10/1960	Berlin	A47G 25/0664 248/121	5,947,139 A *	9/1999	Lebrecht	A45B 23/00 135/132
3,003,646 A *	10/1961	Wolf	A47F 5/04 211/107	6,349,512 B1 *	2/2002	Berkey	E04G 25/06 52/126.6
3,071,253 A *	1/1963	Walsh	A47G 25/0664 211/204	6,405,991 B1 *	6/2002	Damiano	E04H 12/2261 248/519
3,204,779 A *	9/1965	Warner	A47F 5/13 211/190	D468,193 S *	1/2003	Ohm	D6/513
3,282,001 A *	11/1966	Bigalow	E04H 12/2269 52/292	6,554,235 B1 *	4/2003	Fortier	A47B 57/565 248/122.1
3,313,425 A *	4/1967	Injeski	A47G 25/0664 211/204	6,665,968 B2 *	12/2003	Jen	G08B 13/19619 248/125.2
3,454,252 A *	7/1969	Pearson	E04H 12/00 248/511	6,712,330 B1 *	3/2004	Damiano	E04H 12/2261 248/519
D221,616 S *	8/1971	Hollander et al.	D6/702	6,726,395 B2 *	4/2004	Yu	F16B 7/182 403/296
3,645,057 A *	2/1972	Kaplan	E04H 12/2284 52/295	D504,301 S *	4/2005	Wood	D8/339
3,988,870 A *	11/1976	Snavelly	E02D 27/42 52/296	D582,986 S *	12/2008	Sanchez	D14/159
D261,704 S *	11/1981	Parker	D6/681	D583,425 S *	12/2008	Kushner	D21/686
4,793,111 A *	12/1988	Shewchuk	E04H 12/08 256/59	D595,976 S *	7/2009	Gonzalez Arellano	D6/681
4,886,172 A *	12/1989	Kummerlen	A47G 25/0685 211/85.3	7,716,898 B1 *	5/2010	Dunn	E04G 21/32 248/49
5,056,753 A *	10/1991	Lunau	A47K 17/02 248/200.1	7,721,490 B1 *	5/2010	Cerula	E04H 12/2253 52/169.9
D331,872 S *	12/1992	Maruko	D8/376	D624,665 S *	9/2010	Rowlinson	D25/56
5,228,810 A *	7/1993	Seegmiller	E21D 15/42 248/354.3	D625,528 S *	10/2010	Sprague	D6/681
D342,184 S *	12/1993	Sanchez	D7/335	D653,724 S *	2/2012	Li	D21/839
5,337,989 A *	8/1994	Apple	E04H 12/2238 248/222.13	D675,038 S *	1/2013	Barbieri	D6/681.1
D353,625 S *	12/1994	Thomsen	D20/41	D694,559 S *	12/2013	Carlyle	D6/702
D358,506 S *	5/1995	Lara	D12/406	D694,612 S *	12/2013	DeFrancisci	D8/354
5,411,372 A *	5/1995	Clark	F04D 25/105 416/108	D706,121 S *	6/2014	Norton	D8/380
5,481,846 A *	1/1996	Macchietto	E04C 3/32 248/158	8,814,145 B2 *	8/2014	Herman	E04H 17/14 256/48
5,586,352 A *	12/1996	O'Brien	A61G 7/053 248/200.1	9,062,468 B2 *	6/2015	Behringer	E04G 21/243
D377,668 S *	1/1997	Biram	D20/41	D737,120 S *	8/2015	Recker	D8/354
5,593,239 A *	1/1997	Sallee	E04H 12/182 135/114	D737,605 S *	9/2015	Hornsby	D6/681.1
5,634,482 A *	6/1997	Martin	E04H 12/2269 135/114	9,126,289 B2 *	9/2015	Herman	B23K 31/02
5,666,940 A *	9/1997	Kreiter	A47J 33/00 126/25 A	D746,041 S *	12/2015	Lin	D3/5
5,702,010 A *	12/1997	Liang	A47G 25/0685 211/105.1	D747,004 S *	1/2016	Metcalf	D25/103
D395,496 S *	6/1998	Wang	D23/378	9,284,744 B2 *	3/2016	Patterson	E04H 12/2269
				9,475,215 B2 *	10/2016	Manthei	B29C 39/10
				9,717,974 B2 *	8/2017	Hahn	A63B 71/023
				9,752,606 B2 *	9/2017	Peters	F16B 9/026
				D799,367 S *	10/2017	Wildhagen	D11/166
				9,968,212 B1 *	5/2018	Lundmark	F16B 2/04
				10,006,222 B2 *	6/2018	Herman	B23K 31/02
				10,113,316 B2 *	10/2018	Leary	E04F 11/1859
				D842,214 S *	3/2019	Caldwell	D12/317
				2004/0220031 A1 *	11/2004	Blacker	A63B 9/00 482/148
				2006/0022189 A1 *	2/2006	Collins, IV	E04H 12/2261 256/65.14
				2007/0006794 A1 *	1/2007	Swenson	E04H 12/32 116/173
				2008/0098951 A1 *	5/2008	Sullivan	G09F 17/00 116/173

* cited by examiner

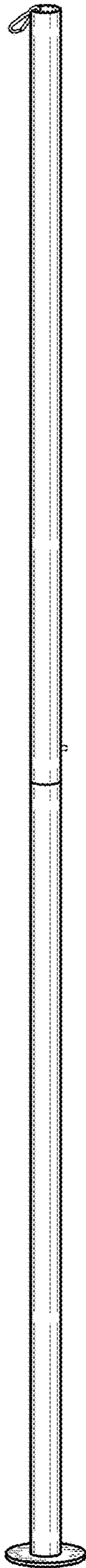


FIG. 1

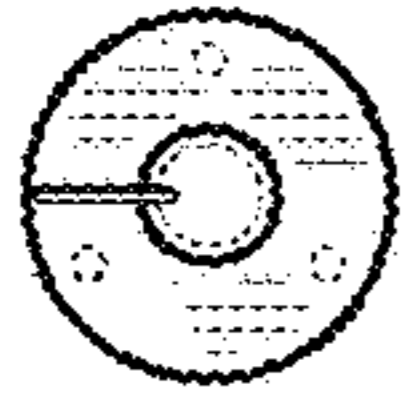


FIG. 2

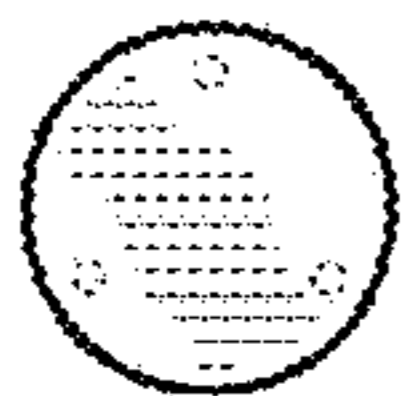


FIG. 3

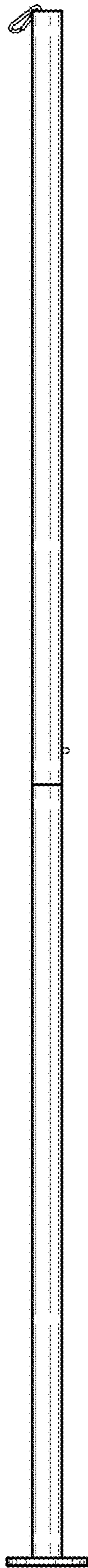


FIG. 4

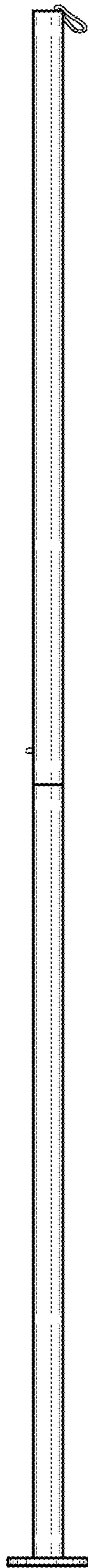


FIG. 5

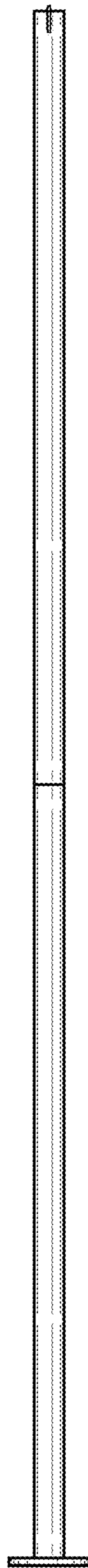


FIG. 6

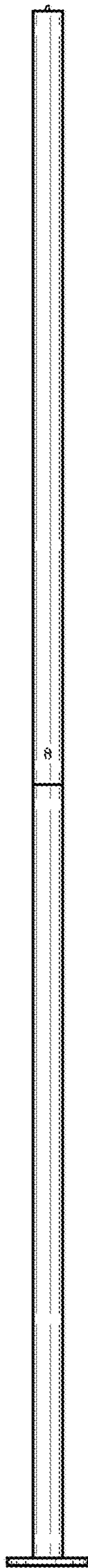


FIG. 7

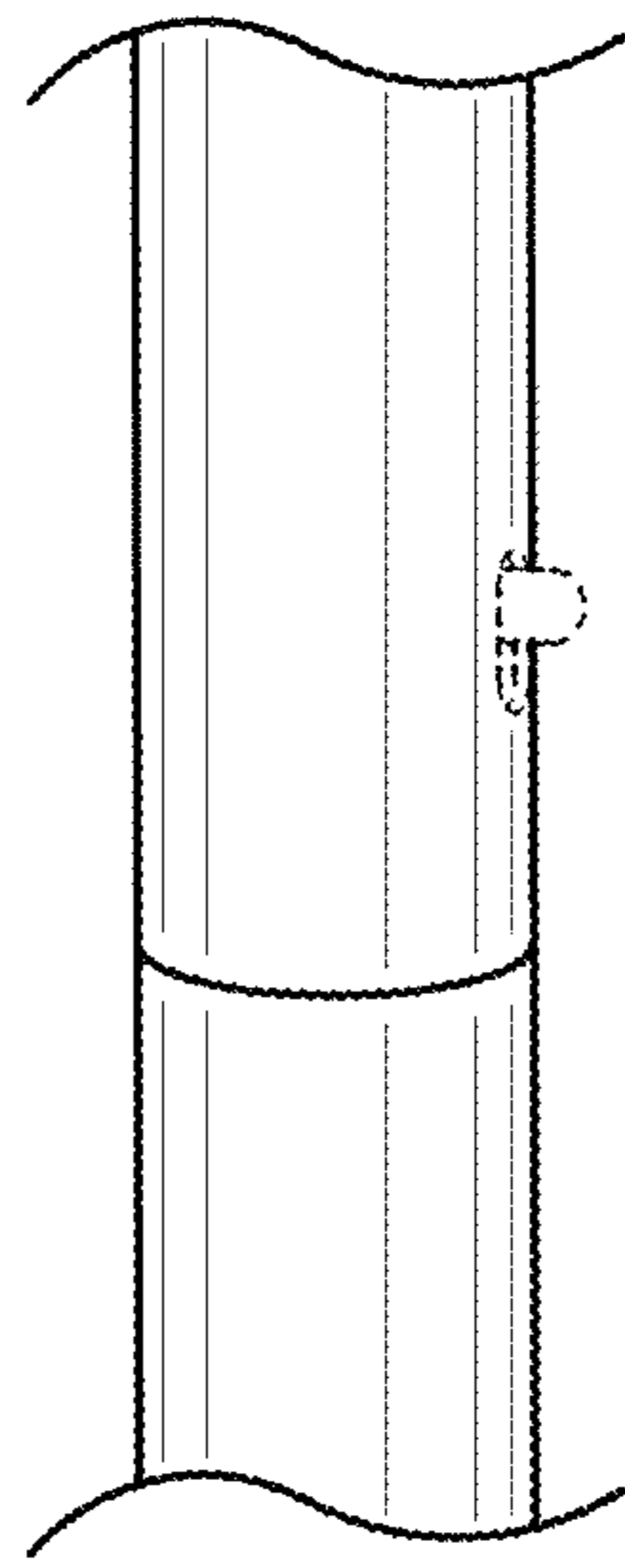


FIG. 8

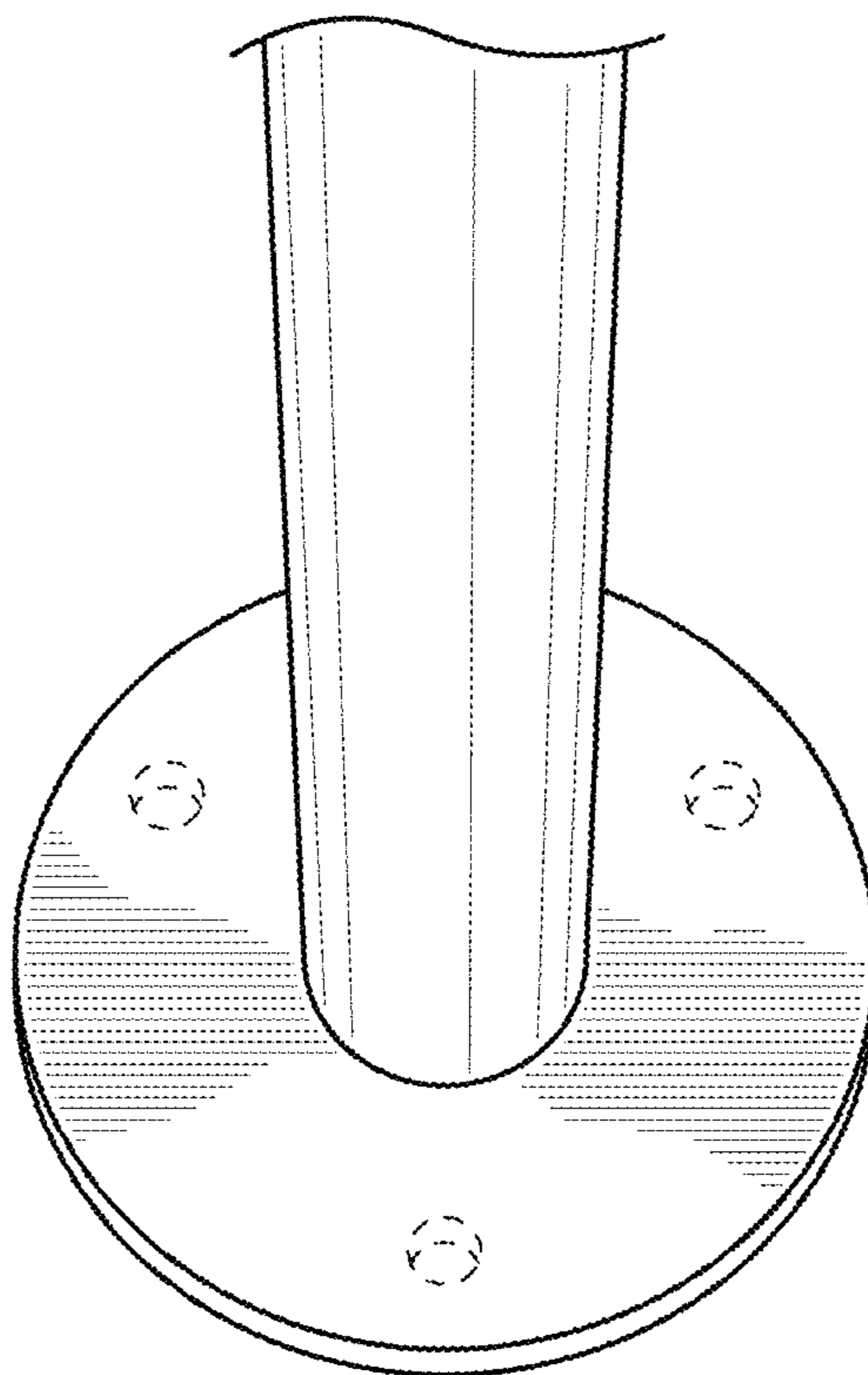


FIG. 9

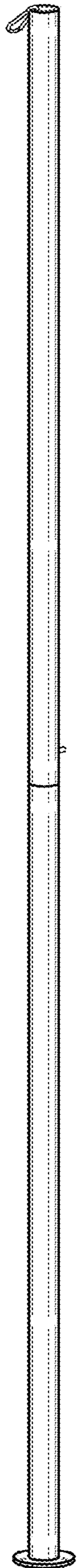


FIG. 10

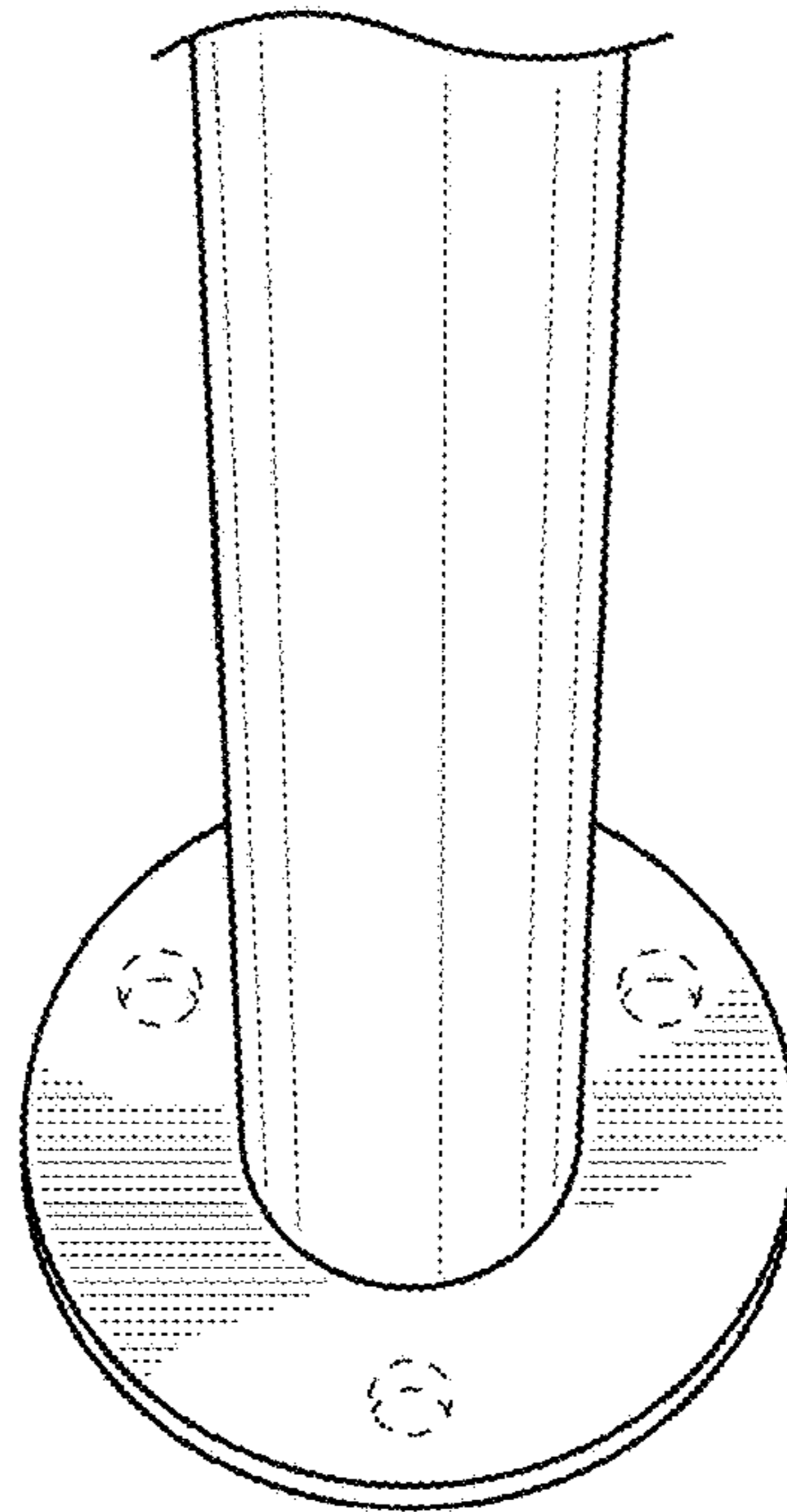


FIG. 11

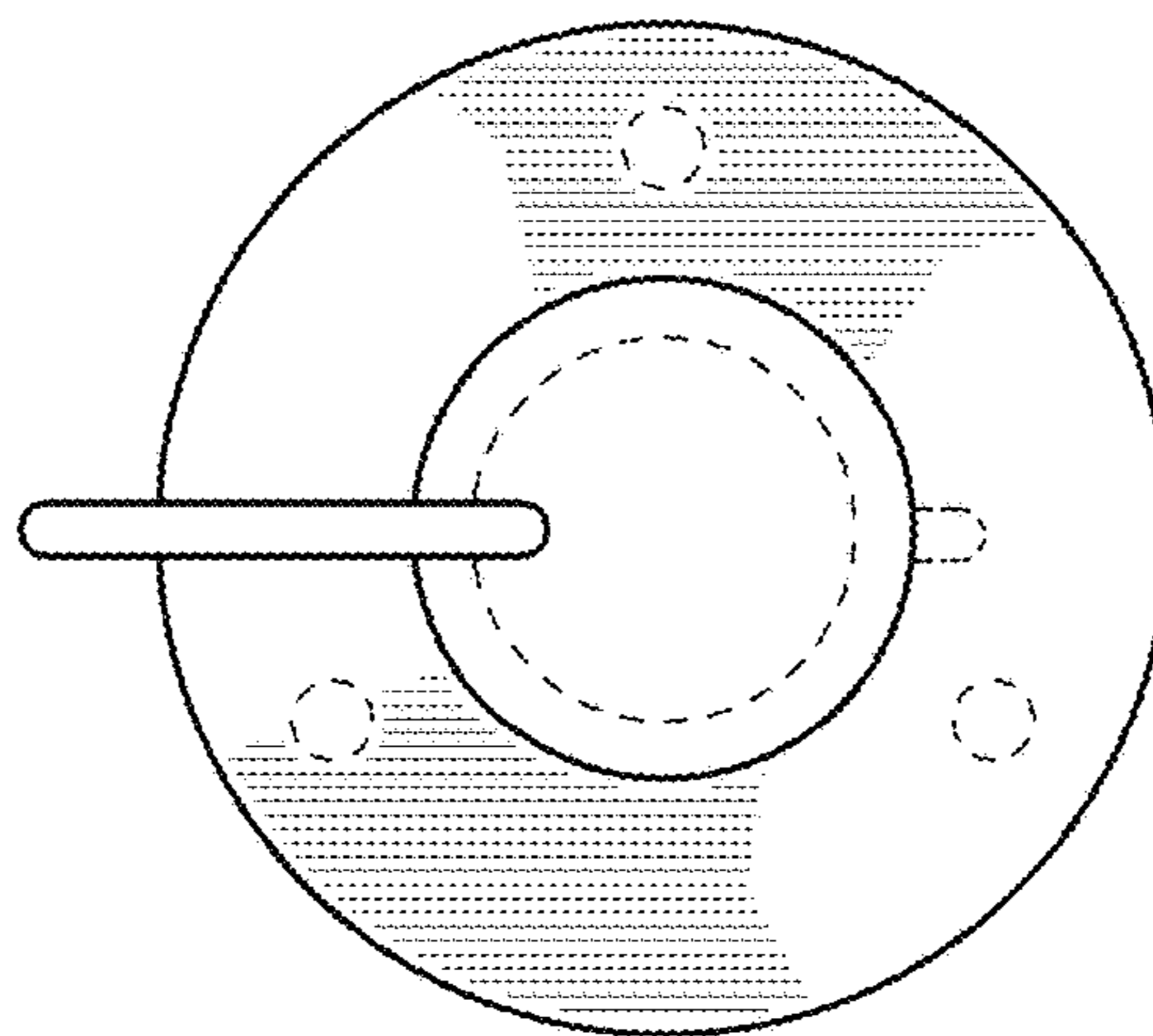


FIG. 12