



US00D899825S

(12) **United States Design Patent**
Li

(10) **Patent No.:** **US D899,825 S**

(45) **Date of Patent:** **** Oct. 27, 2020**

(54) **CABINET**

(71) Applicant: **39F USA INC**, Rancho Cucamonga, CA (US)

(72) Inventor: **Yuehai Li**, Rancho Cucamonga, CA (US)

(**) Term: **15 Years**

(21) Appl. No.: **29/700,236**

(22) Filed: **Jul. 31, 2019**

(51) **LOC (12) Cl.** **06-04**

(52) **U.S. Cl.**
USPC **D6/671.1**

(58) **Field of Classification Search**
USPC D6/657, 659, 660, 661, 662, 663, 662.1, D6/671, 671.1; D34/19; D30/108, 114, D30/116; D23/286
CPC . A47B 67/00; A47B 67/04; A47B 2220/0072; A47B 2220/01; A47B 85/00; A01K 1/0035; A01K 1/03; A01K 1/033; A01K 1/035; A01K 31/06
See application file for complete search history.

(56) **References Cited**

U.S. PATENT DOCUMENTS

D47,441 S * 6/1915 Ullin D6/661
D195,726 S * 7/1963 Harper D6/657
D231,335 S * 4/1974 Allen D34/19

D264,656 S * 6/1982 Oscarson D6/671.1
D274,152 S * 6/1984 Fleming D30/116
D274,961 S * 8/1984 Noonchester A01K 1/035
D330,274 S * 10/1992 Smith D12/413
D432,818 S * 10/2000 Hutton D6/671.1
D704,901 S * 5/2014 Diskin D30/108
D821,038 S * 6/2018 Rathman D30/114
D852,429 S * 6/2019 Rathman D29/125
D853,052 S * 7/2019 Rathman D30/114
D855,259 S * 7/2019 Rathman D30/114
2007/0089683 A1 * 4/2007 Roberts A01K 1/035
119/477

* cited by examiner

Primary Examiner — Cathron C Brooks

(74) *Attorney, Agent, or Firm* — Feng Qian

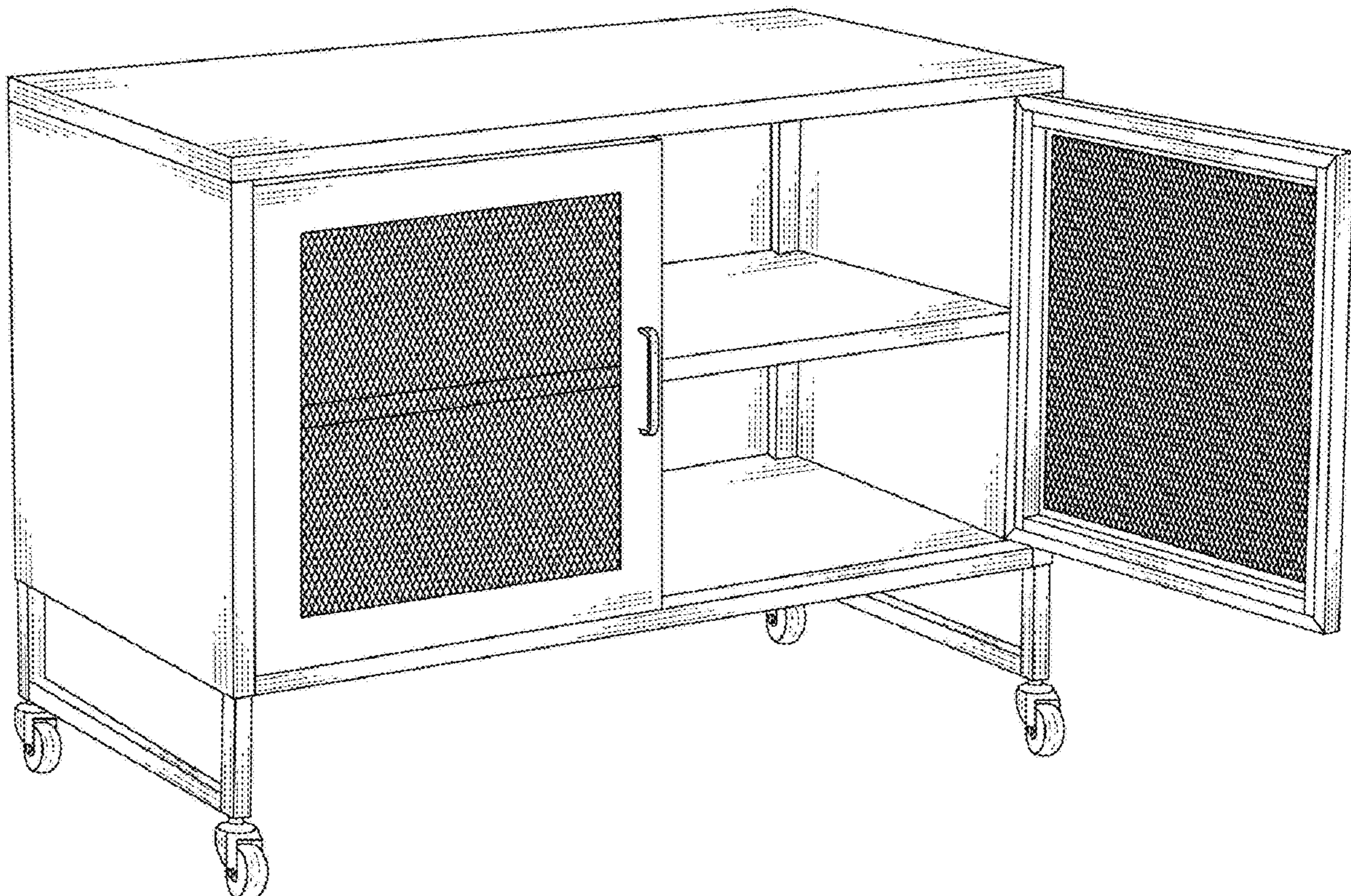
(57) **CLAIM**

The ornamental design for a cabinet, as shown and described.

DESCRIPTION

FIG. 1 is a first front perspective view of a cabinet showing my new design;
FIG. 2 is a second front perspective view thereof;
FIG. 3 is a front elevation view thereof;
FIG. 4 is a rear elevation view thereof;
FIG. 5 is a left-side elevation view thereof;
FIG. 6 is a right-side elevation view thereof;
FIG. 7 is a top plan view thereof; and,
FIG. 8 is a rear plan view thereof.

1 Claim, 8 Drawing Sheets



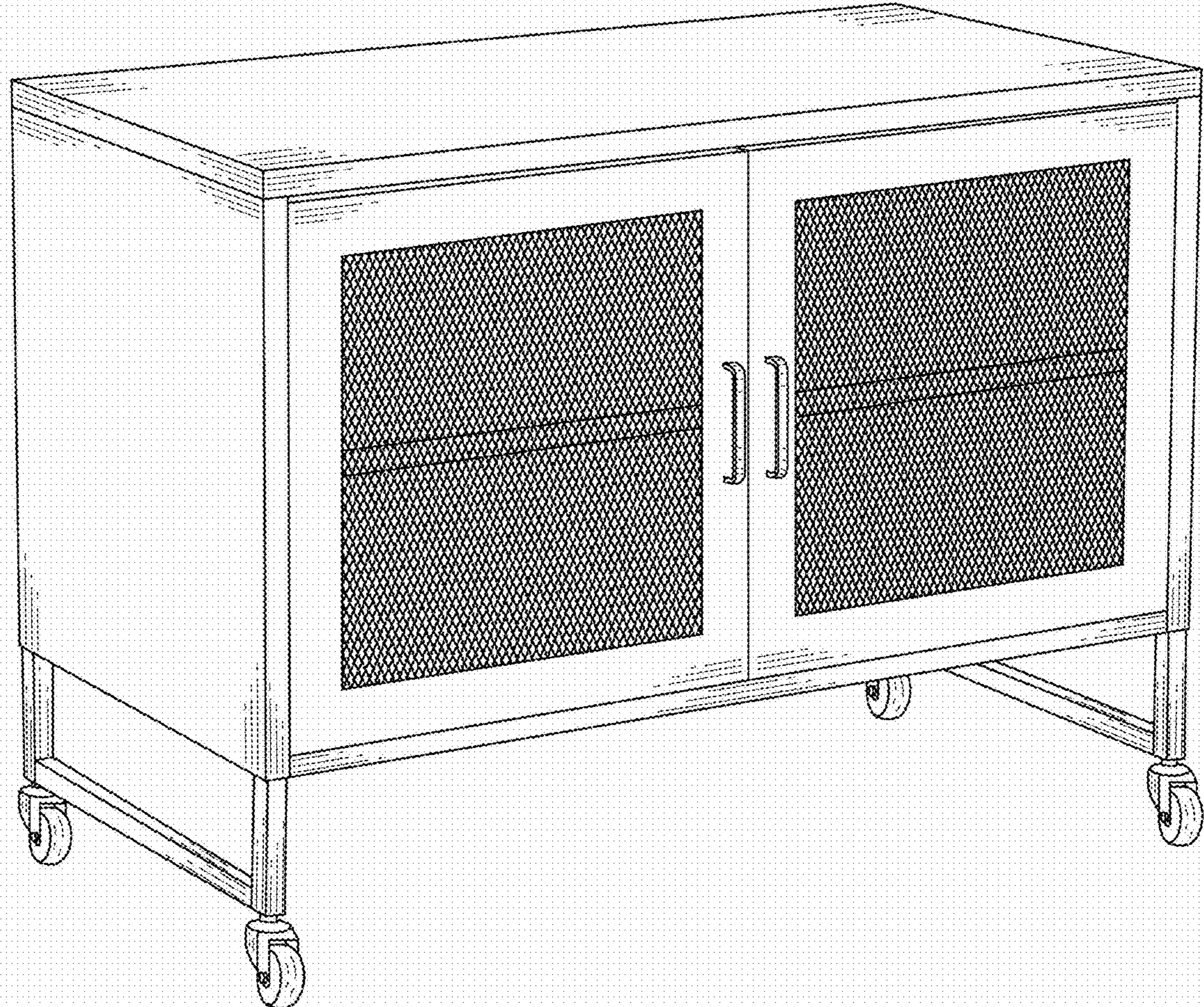


Fig.1

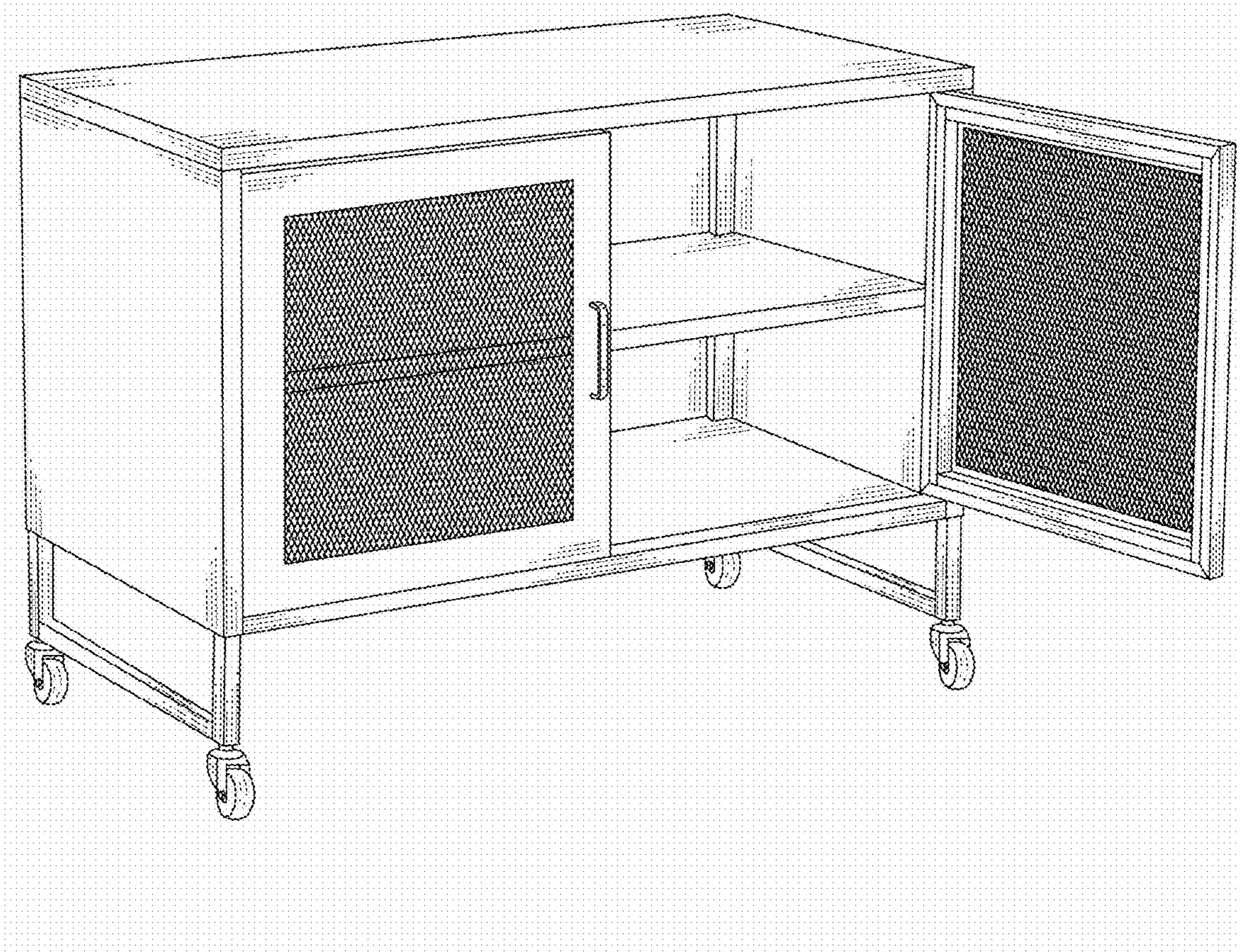


Fig.2

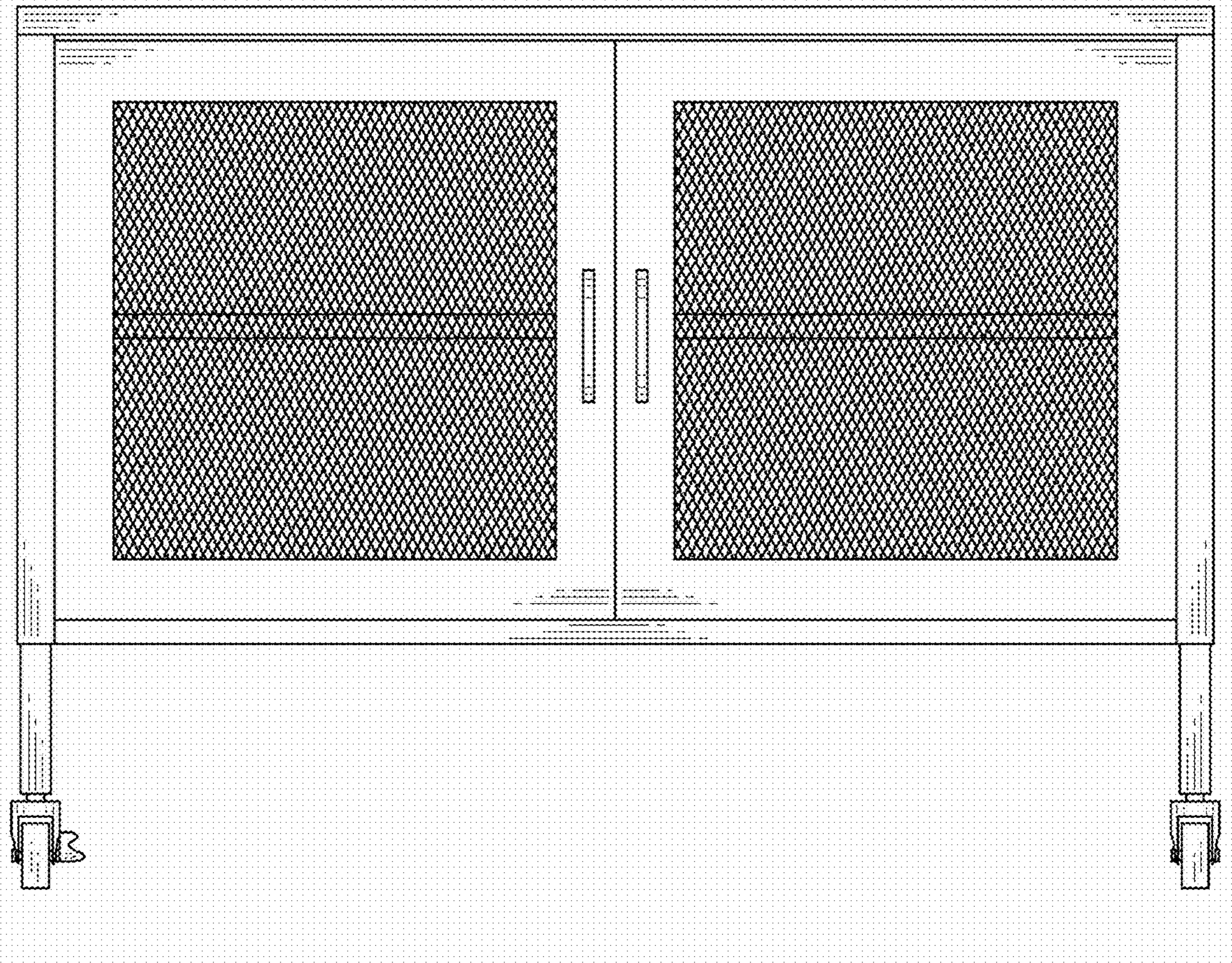


Fig.3

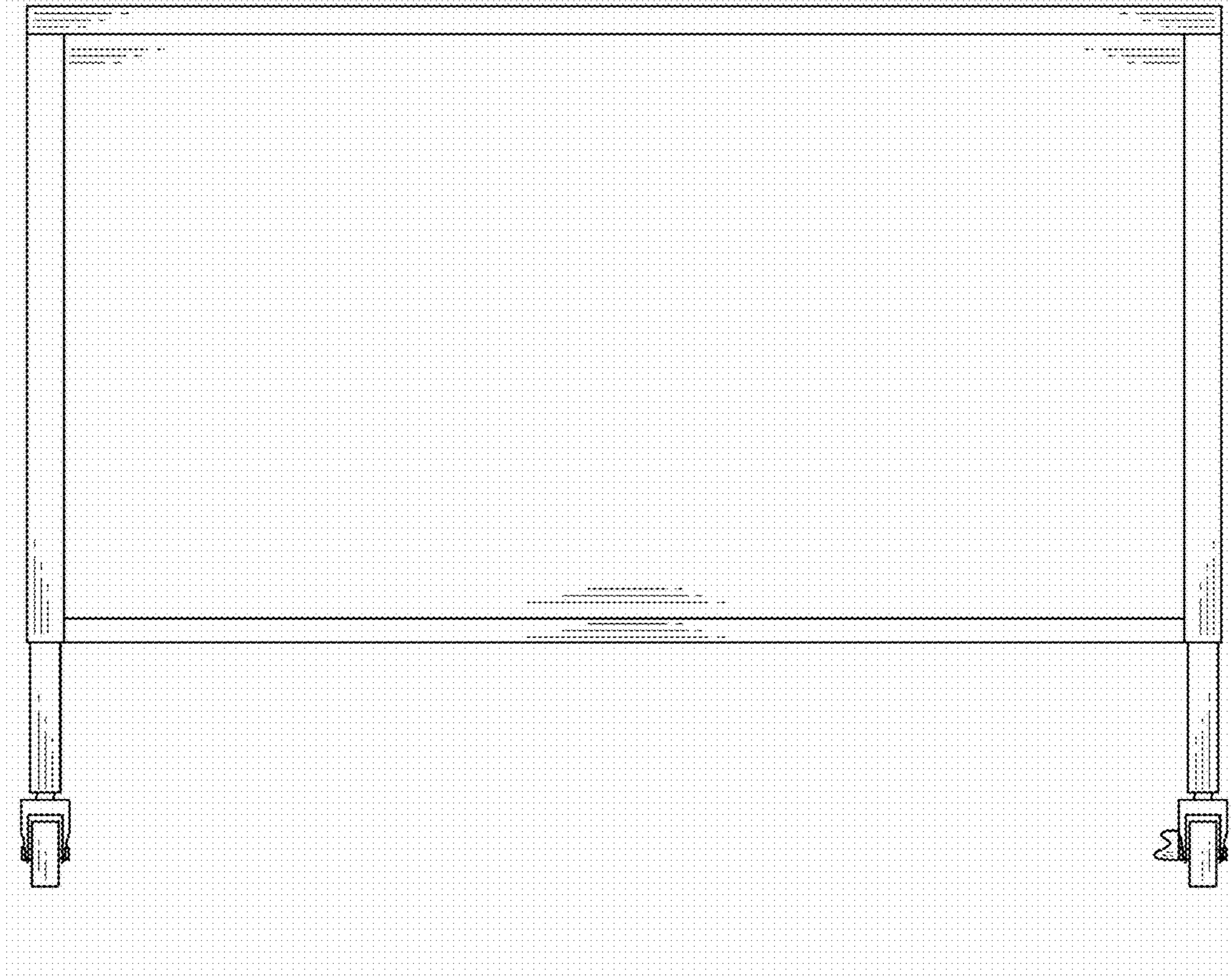


Fig.4

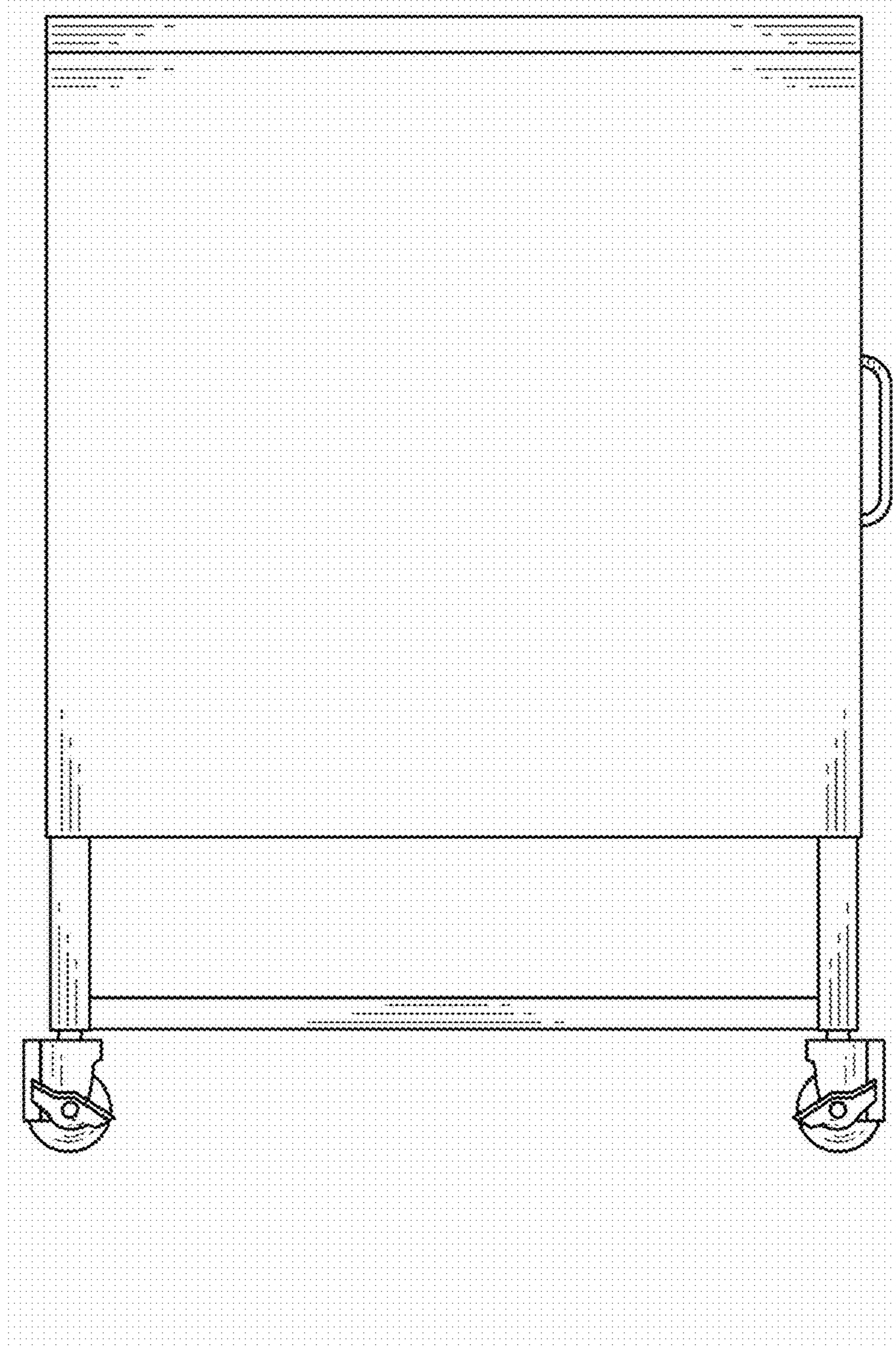


Fig.5

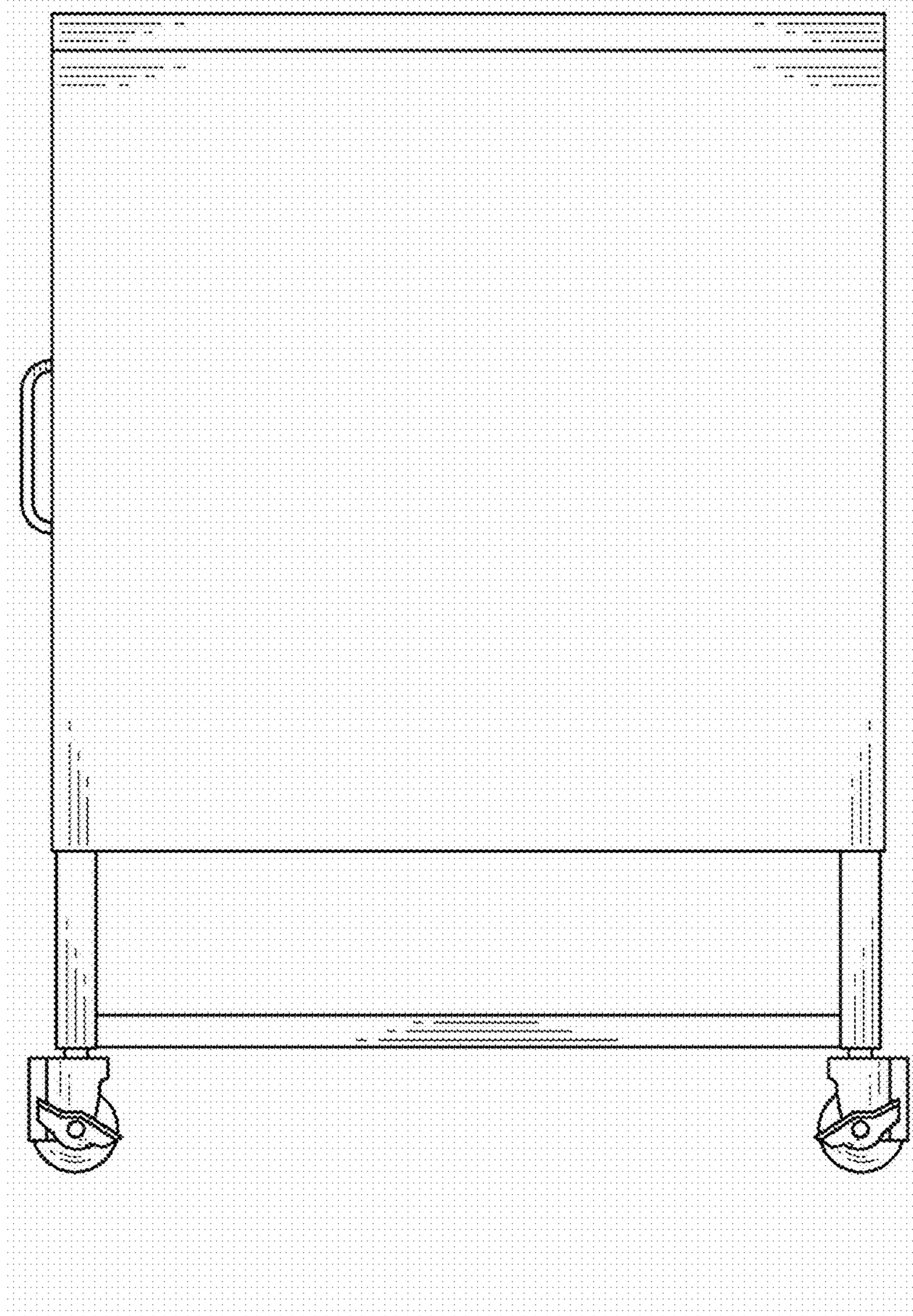


Fig.6

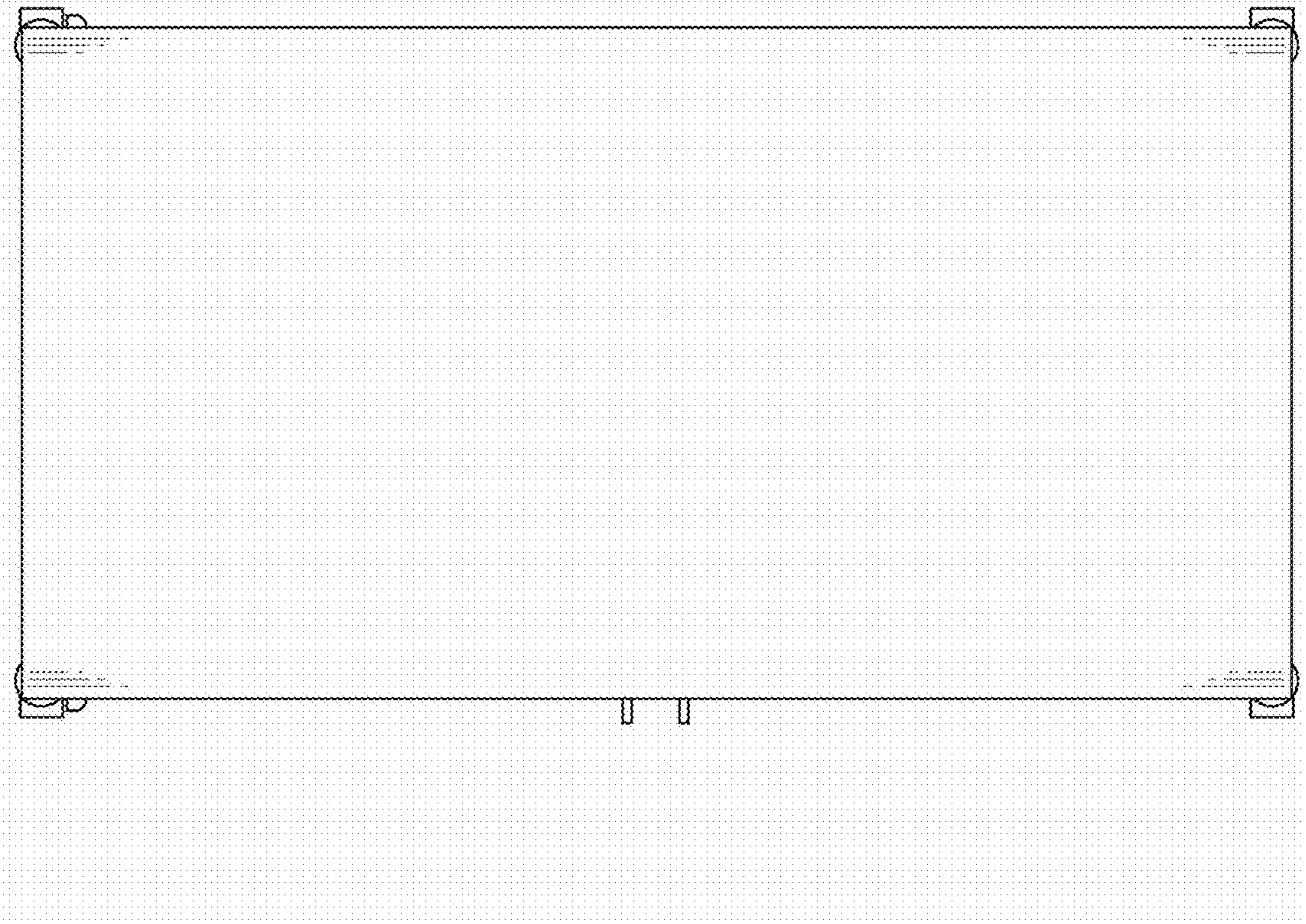


Fig. 7

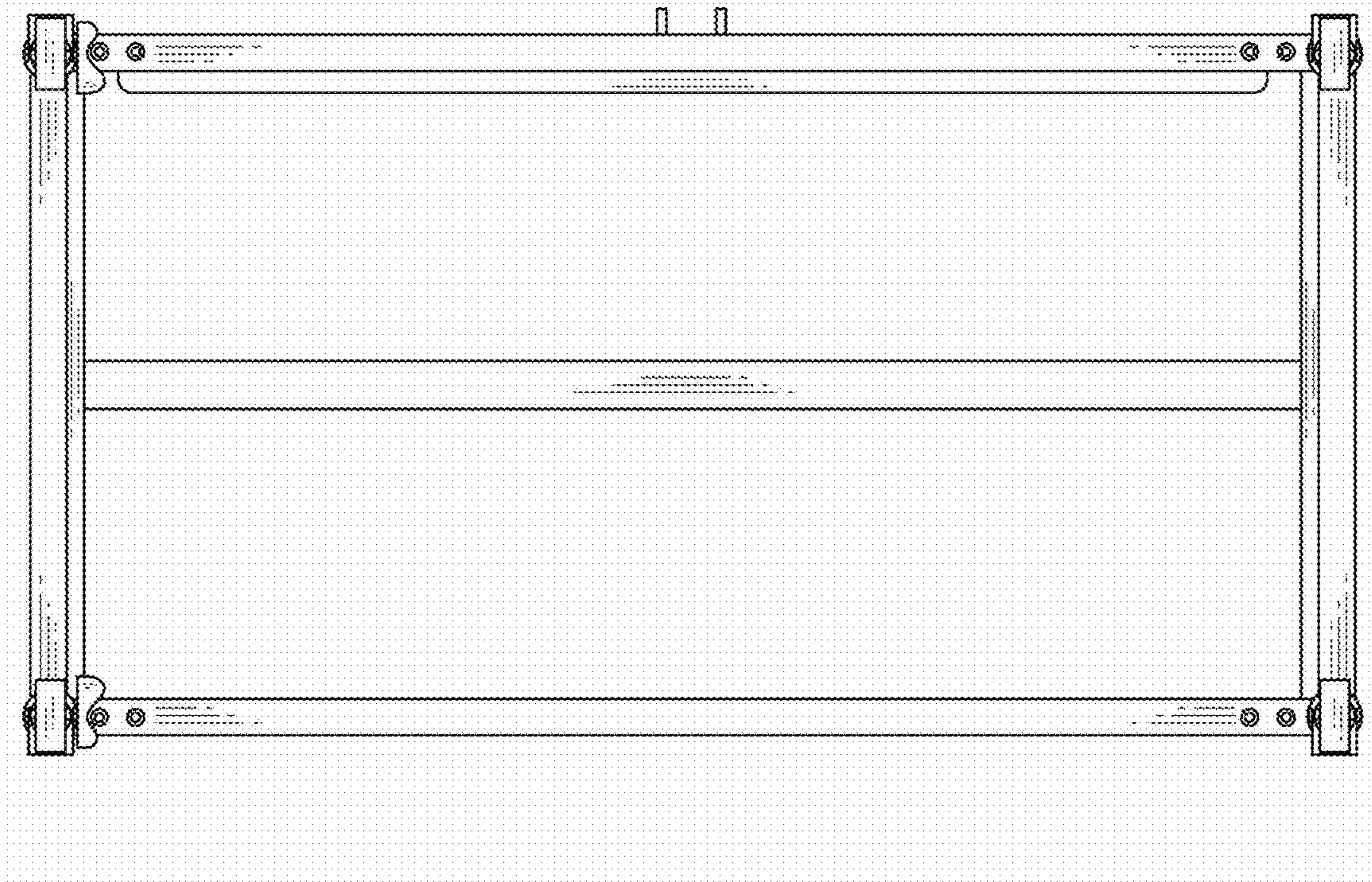


Fig.8