



US00D899824S

(12) **United States Design Patent** (10) **Patent No.:** **US D899,824 S**
Lok (45) **Date of Patent:** **** Oct. 27, 2020**

- (54) **VANITY**
- (71) Applicants: **CF Fantastic Industries SDN BHD**,
Muar, Johor (MY); **Cheng Feng**
Enterprise SDN BHD, Muar, Johor
(MY)
- (72) Inventor: **Kong Hoh Lok**, Muar (MY)
- (73) Assignees: **CF Fantastic Industries SDN BHD**,
Muar, Johor (MY); **Cheng Feng**
Enterprise SDN BHD, Muar, Johor
(MY)
- (**) Term: **15 Years**
- (21) Appl. No.: **29/682,005**
- (22) Filed: **Feb. 28, 2019**
- (51) **LOC (12) Cl.** **06-04**
- (52) **U.S. Cl.**
USPC **D6/668**; D6/651
- (58) **Field of Classification Search**
USPC D6/650, 651, 652, 661.3, 663, 665, 668,
D6/668.2, 671, 671.1, 671.2, 673, 675,
D6/675.1, 686, 691.8, 692, 694, 702
CPC A47B 46/00; A47B 47/00; A47B 47/022;
A47B 47/02; A47B 47/04; A47B 55/00;
A47B 67/02; A47B 67/04
See application file for complete search history.

- (56) **References Cited**
U.S. PATENT DOCUMENTS
D106,297 S * 10/1937 Krick D6/664.1
D117,253 S * 10/1939 Brainard D6/651
D141,097 S * 5/1945 Pinanski D6/668.1
D141,359 S * 5/1945 Carlson D6/650
D144,120 S * 3/1946 Livon D6/652
D290,665 S * 7/1987 Snodgrass D6/671.1
D423,251 S * 4/2000 Black D6/668.2
D441,981 S * 5/2001 Isinger D6/646

- D450,479 S * 11/2001 O'Hare D6/668.2
 - D463,161 S * 9/2002 Nored D24/234
 - D487,649 S * 3/2004 Stanton D6/668.2
 - D508,622 S * 8/2005 O'Hare D6/668.2
 - D510,669 S * 10/2005 Berry D6/668.2
 - D527,204 S * 8/2006 O'Hare D6/661.3
 - D562,592 S * 2/2008 Lara D6/661.3
 - D590,638 S * 4/2009 Lara D6/661.3
 - D612,177 S * 3/2010 Marietta D6/708
 - D692,698 S * 11/2013 Schmitt D6/664.1
 - D702,473 S * 4/2014 Litt D6/718.23
- (Continued)

OTHER PUBLICATIONS

“B434kgy Crystal Tufted Grey Velvet Bedroom Suite.” Found online Apr. 8, 2020 at www.premierclubfurniture.com. Page archived Apr. 25, 2019. Retrieved from URL: <https://web.archive.org/web/20190425031533/http://www.premierclubfurniture.com/product/b434kgy-crystal-tufted-grey-velvet-bedroom-suite/> (Year: 2019).*

(Continued)

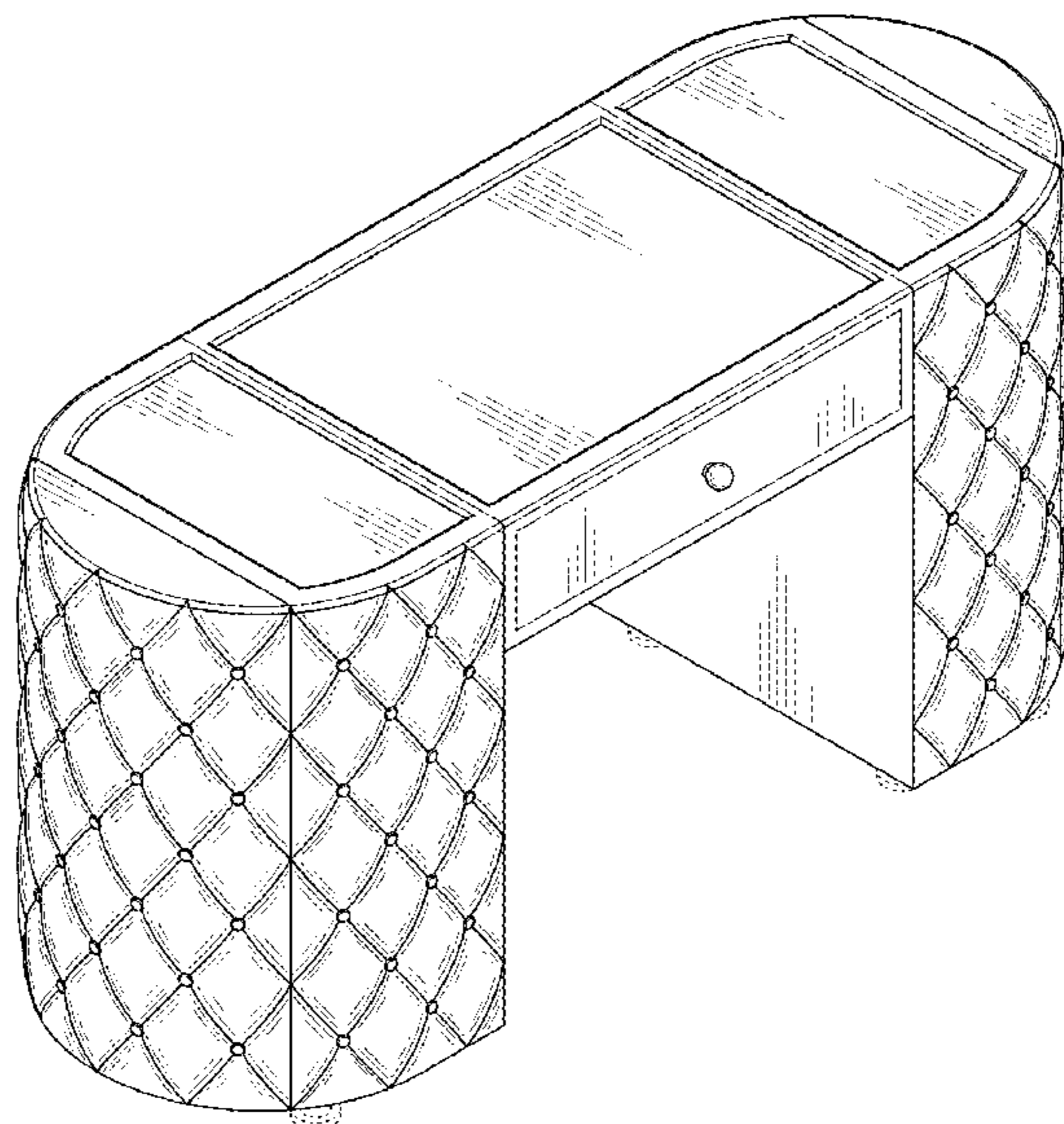
Primary Examiner — Mary Ann Calabrese
Assistant Examiner — Katelin G Kloberg
(74) *Attorney, Agent, or Firm* — Hard IP LLC

(57) **CLAIM**
The ornamental design for a vanity, as shown and described.

DESCRIPTION

FIG. 1 is an isometric view of a vanity in accordance with the present design;
FIG. 2 is a front view thereof;
FIG. 3 is a rear view thereof;
FIG. 4 is a left view thereof;
FIG. 5 is a right view thereof;
FIG. 6 is a top view thereof; and,
FIG. 7 is a bottom view thereof.
The broken lines depict portions of the article that form no part of the claimed design.

1 Claim, 6 Drawing Sheets



(56)

References Cited

U.S. PATENT DOCUMENTS

D749,882 S * 2/2016 Garcia D6/692.6
D772,613 S * 11/2016 Liu D6/664.1
D772,614 S * 11/2016 Liu D6/668.2

OTHER PUBLICATIONS

“The Dressing Table Of Today—Its Evolution and Characteristics.”
Found online Apr. 8, 2020 at www.homedit.com. Page dated Apr.
25, 2017. Retrieved from URL: [https://www.homedit.com/dressing-
table/](https://www.homedit.com/dressing-table/) (Year: 2017).*

* cited by examiner

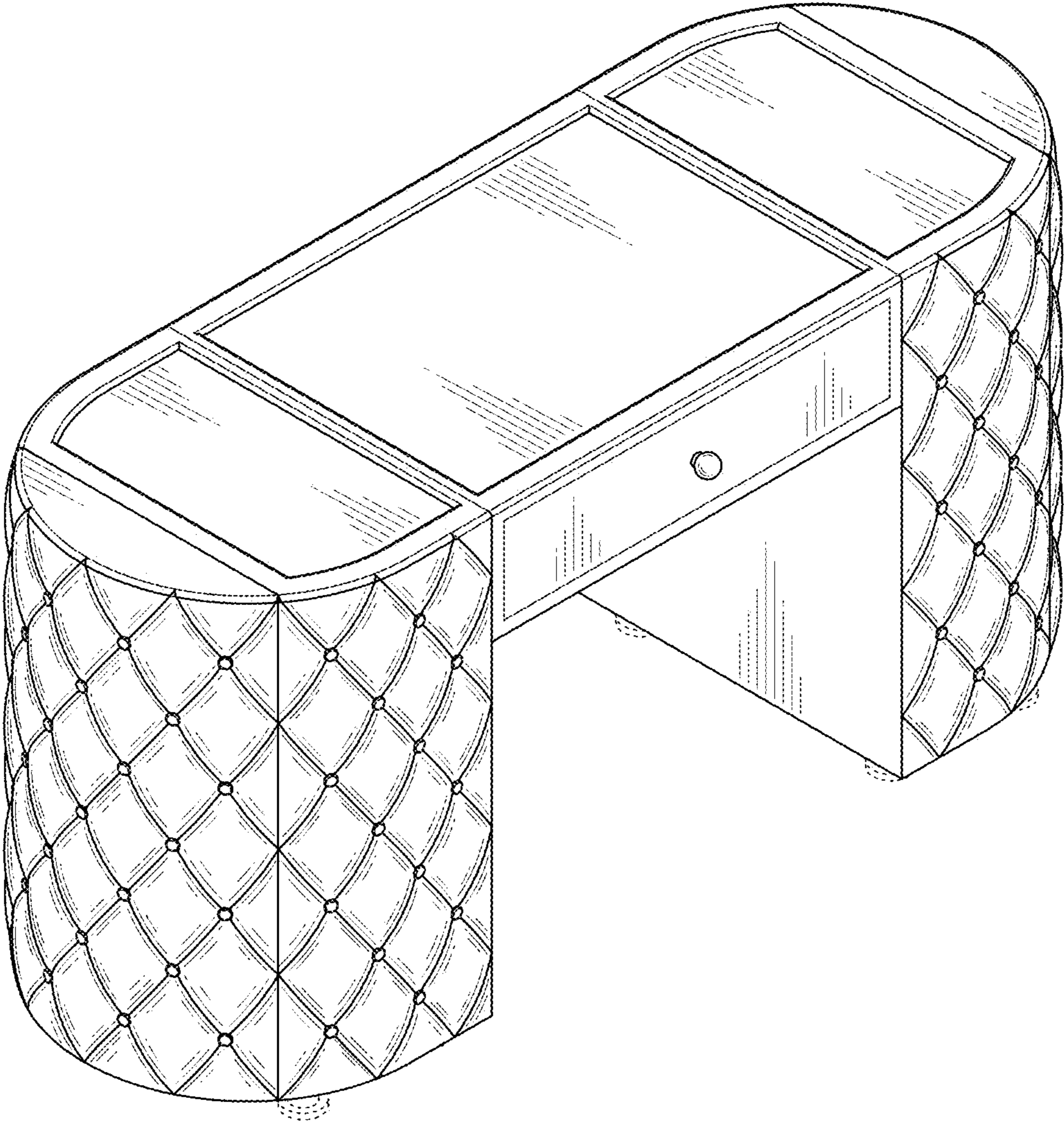


FIG. 1

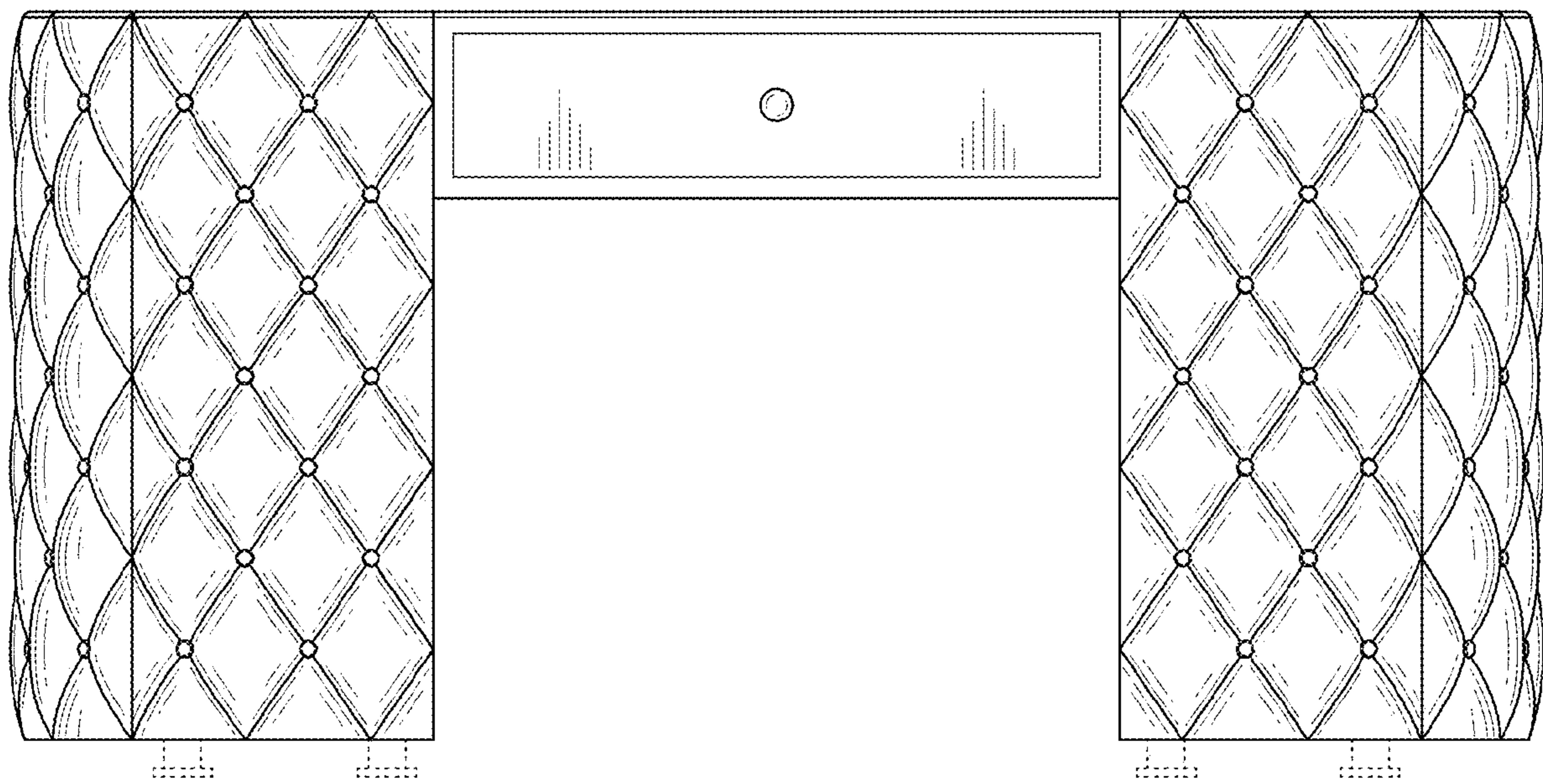


FIG. 2

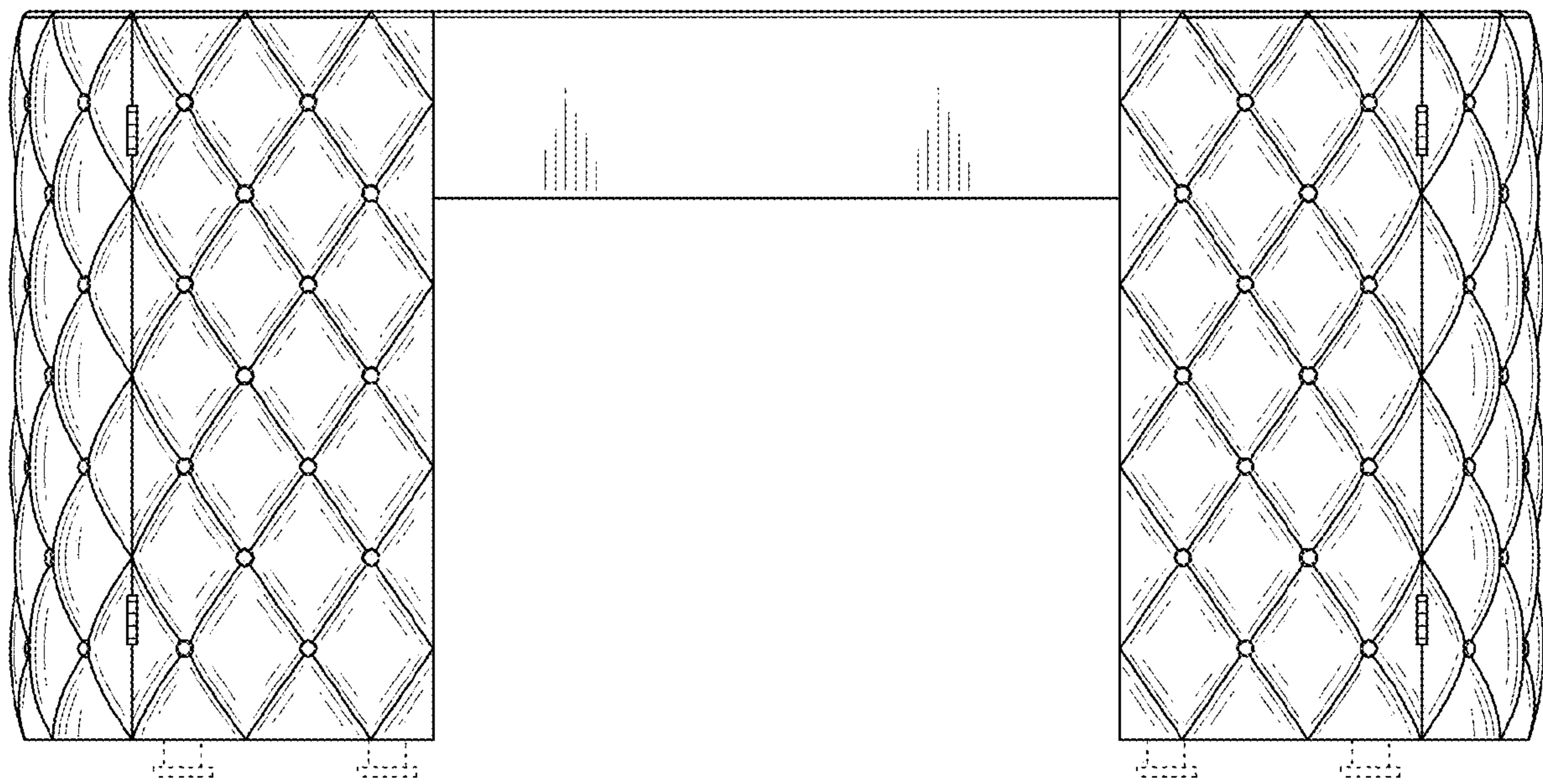


FIG. 3

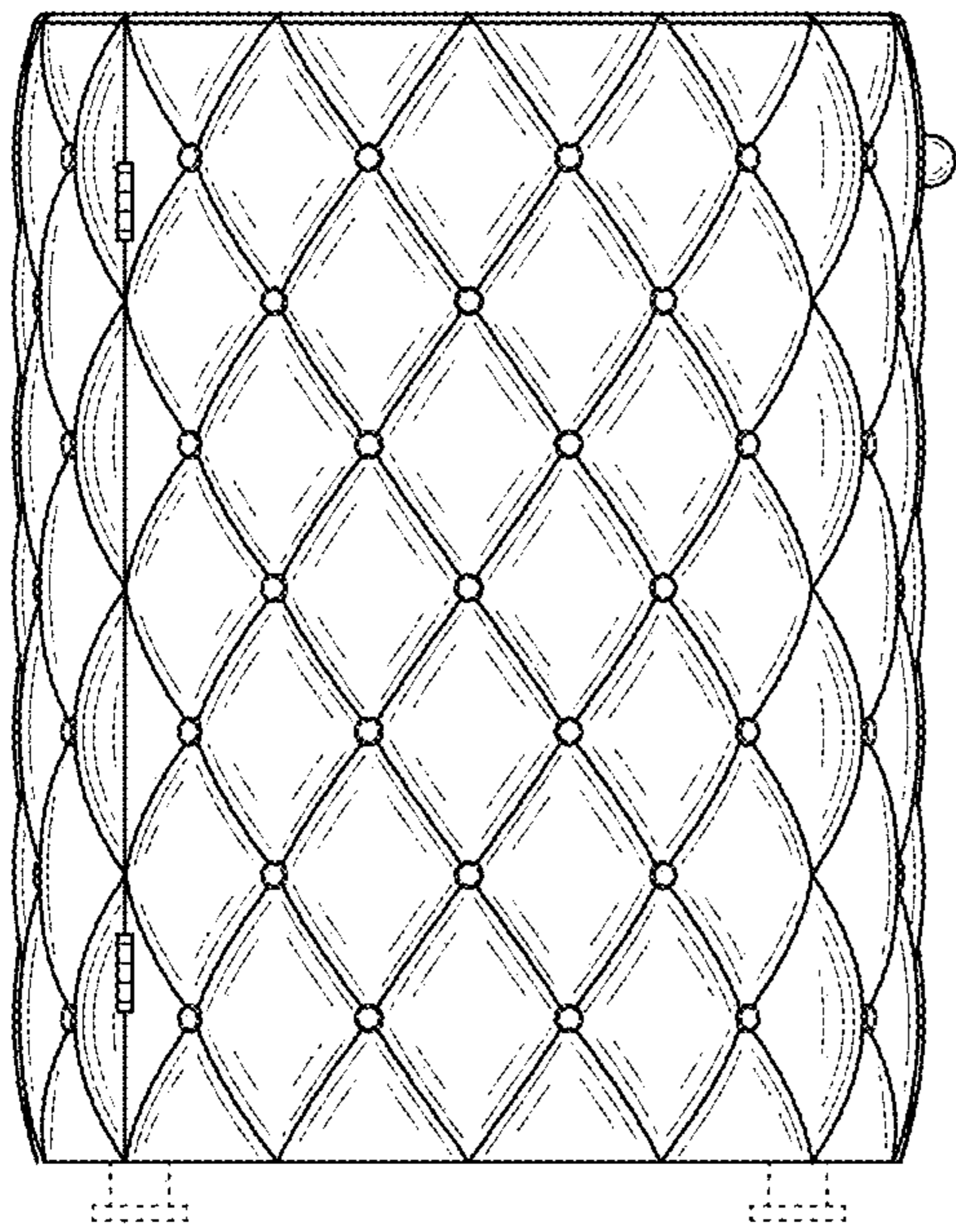


FIG. 4

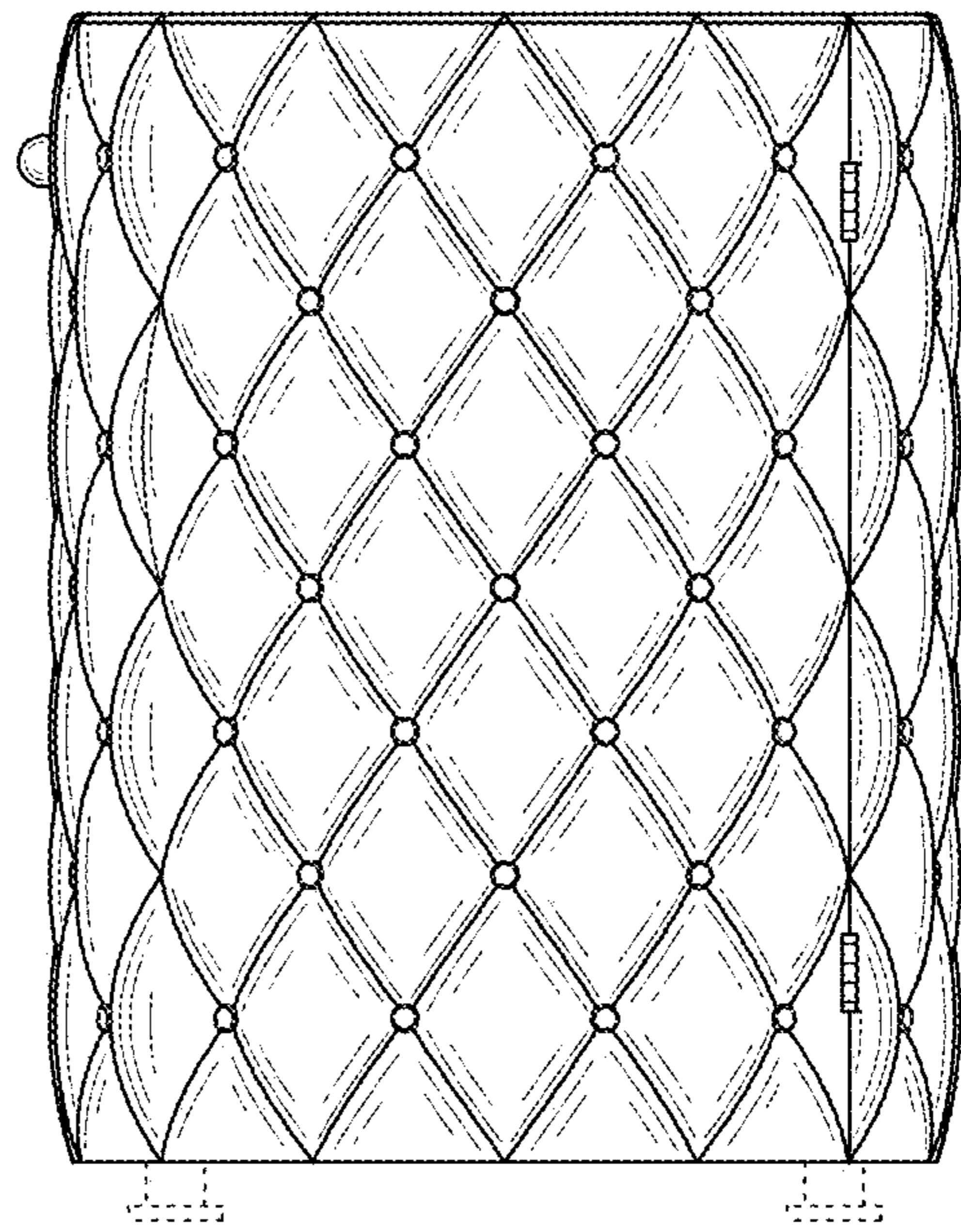


FIG. 5

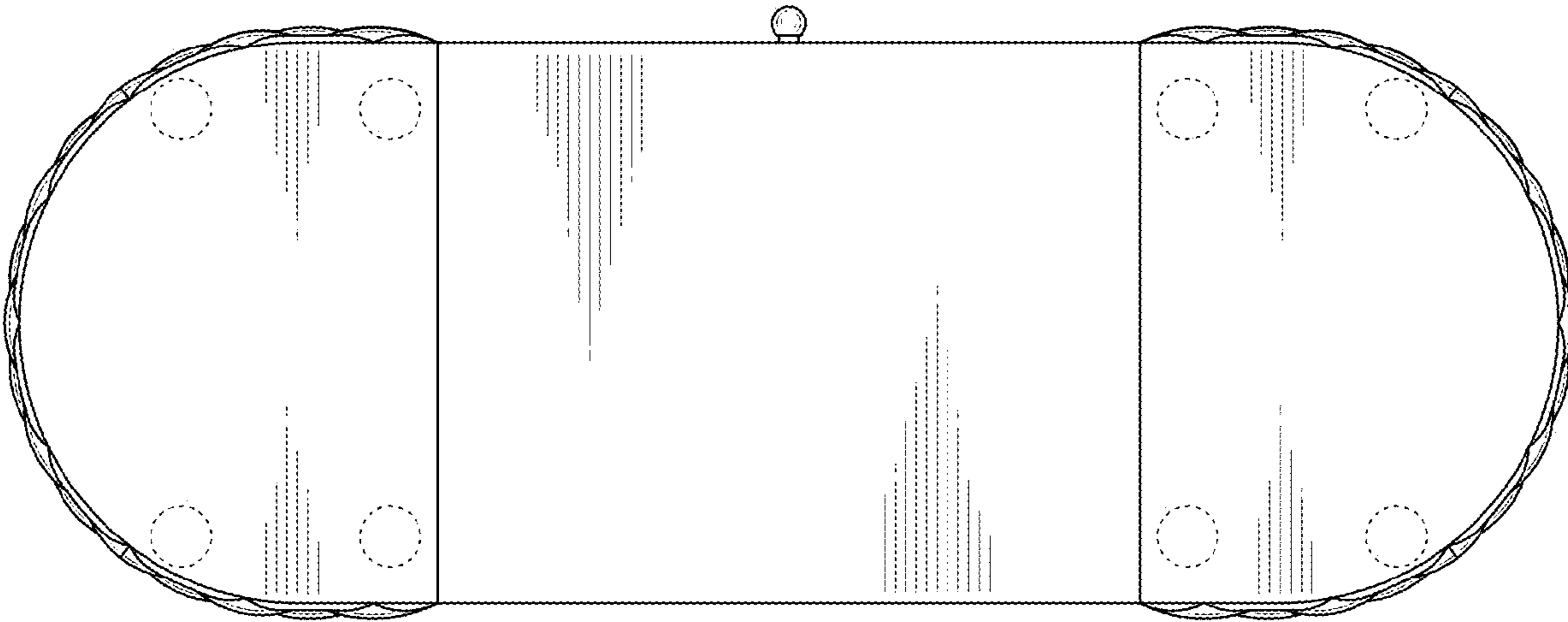


FIG. 6

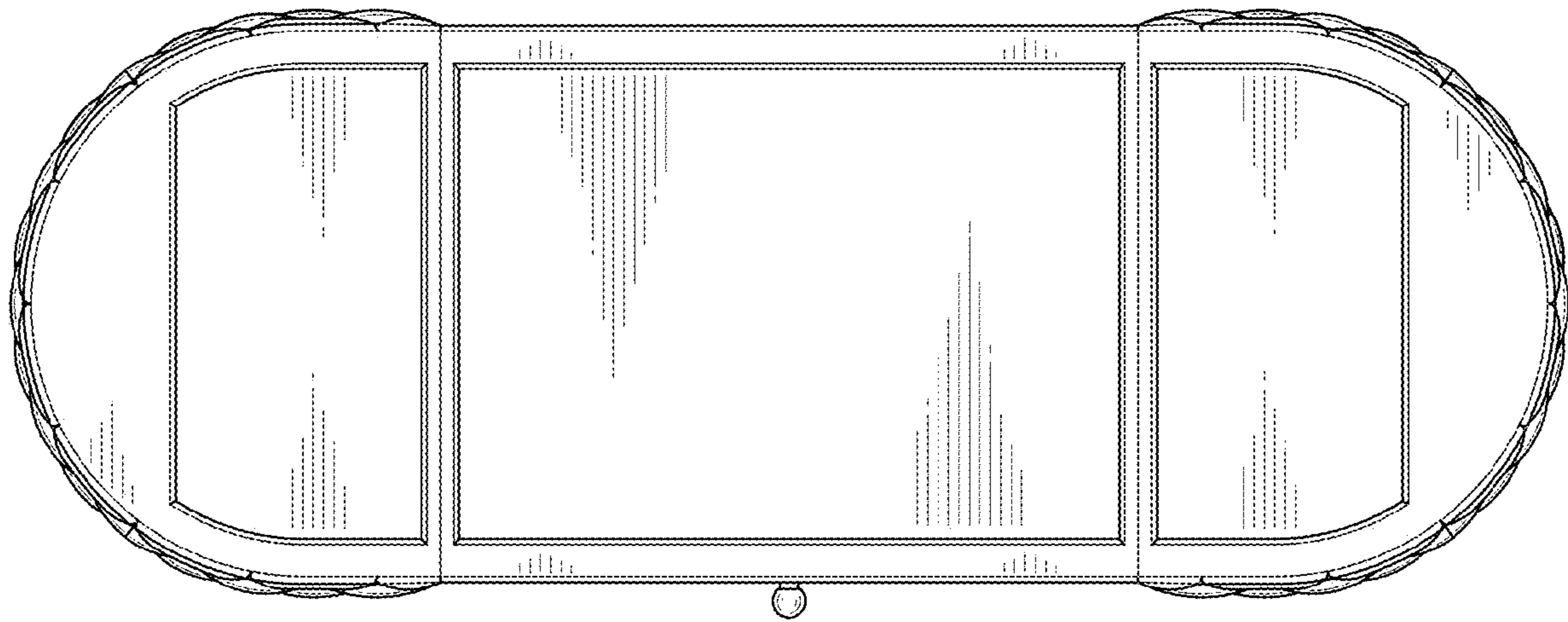


FIG. 7