

US00D899821S

(12) **United States Design Patent** (10) **Patent No.:** **US D899,821 S**  
**Lau** (45) **Date of Patent:** **\*\* Oct. 27, 2020**

(54) **INFLATABLE BED SET**  
(71) Applicant: **Sun Pleasure Company Limited**, San Po Kong, Kowloon (HK)  
(72) Inventor: **Vincent W. S. Lau**, Kowloon (HK)  
(73) Assignee: **Sun Pleasure Company Limited**, Hong Kong (HK)  
(\*\*) Term: **15 Years**

D509,698 S 9/2005 Torres  
D514,860 S 2/2006 Torres  
D525,804 S 8/2006 Schwartz  
D612,630 S 3/2010 Coleman  
D658,921 S 5/2012 Prendergast  
D672,996 S 12/2012 Kelly  
D747,117 S \* 1/2016 Lau ..... D6/393  
D852,543 S \* 7/2019 Clute ..... D6/604  
2003/0101516 A1 \* 6/2003 Hsu ..... A47C 27/10  
5/710  
2003/0188388 A1 \* 10/2003 Boso ..... A47C 27/087  
5/710

(Continued)

(21) Appl. No.: **29/692,738**  
(22) Filed: **May 28, 2019**  
(51) **LOC (12) Cl.** ..... **06-09**  
(52) **U.S. Cl.**  
USPC ..... **D6/604**  
(58) **Field of Classification Search**  
USPC ..... D6/582-583, 587-592, 595-609,  
D6/617-622; D21/803-809; D24/183  
CPC ..... A47G 9/00; A47G 2009/001; A47G  
2009/002; A47G 2009/003; A47G  
2009/005; A47G 2009/006; A47G 9/02;  
A47G 9/0207; A47G 9/0215; A47G  
9/0223; A47G 9/023; A47G 9/0238;  
A47G 9/0246; A47G 9/0253; A47G  
9/0261; A47G 9/06; A47G 9/062; A47G  
9/066; A47G 9/068; A47G 9/08; A47G  
2009/0276; A47G 9/0284; A47G 9/0292;  
A47G 9/04; A47G 9/10  
See application file for complete search history.

Primary Examiner — Jennifer L Rempfer  
(74) Attorney, Agent, or Firm — Raymond Sun

(57) **CLAIM**

The ornamental design for an inflatable bed set, as shown and described.

**DESCRIPTION**

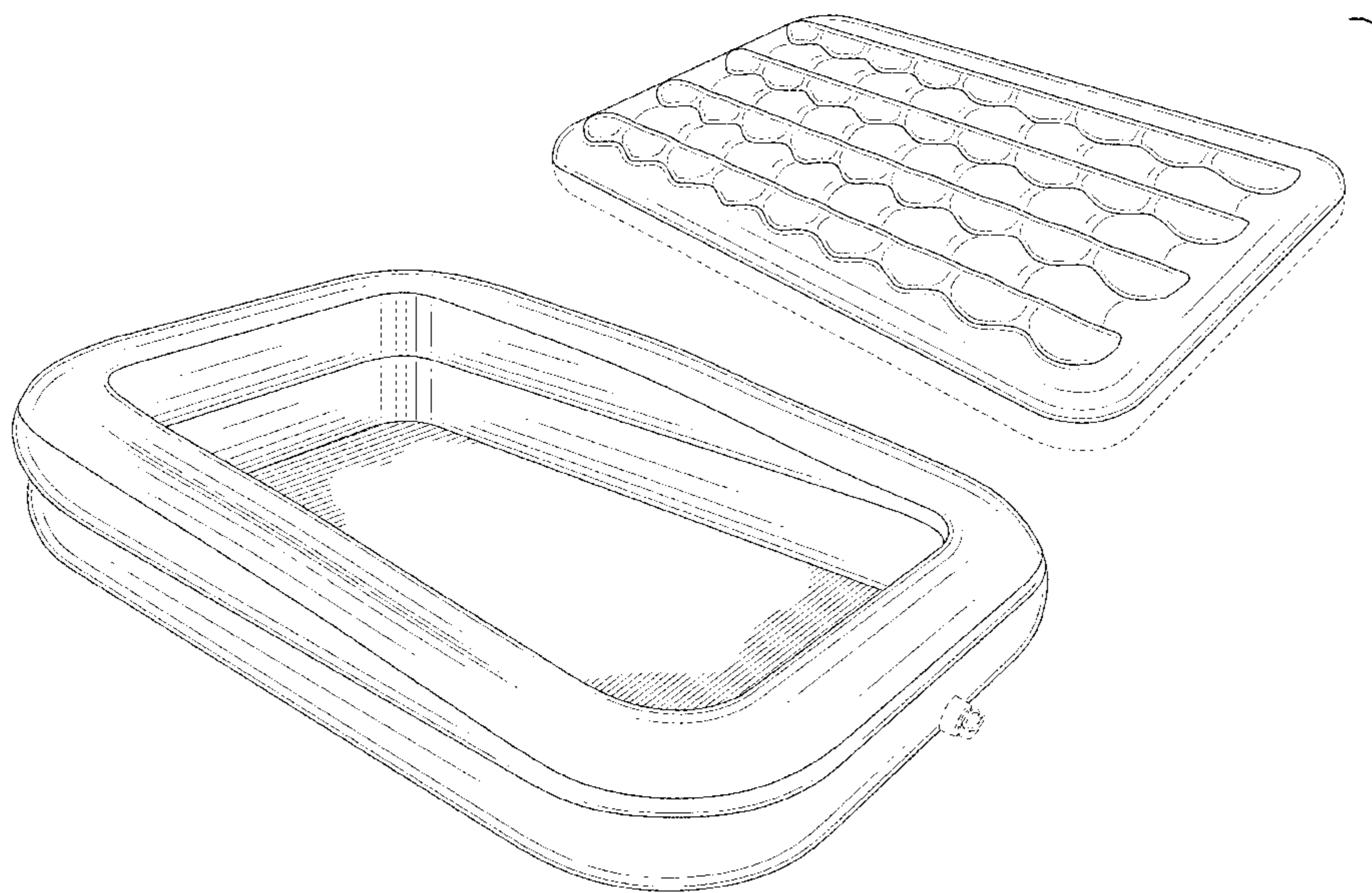
FIG. 1 is an exploded top perspective view of an inflatable bed set showing my new design, with the padding shown separate from the inflatable structure.  
FIG. 2 is an exploded front view of the inflatable bed set of FIG. 1.  
FIG. 3 is an exploded rear view of the inflatable bed set of FIG. 1.  
FIG. 4 is an exploded left side view of the inflatable bed set of FIG. 1.  
FIG. 5 is an exploded right side view of the inflatable bed set of FIG. 1.  
FIG. 6 is an exploded top view of the inflatable bed set of FIG. 1.  
FIG. 7 is a top perspective view of the inflatable bed set of FIG. 1; and,  
FIG. 8 is a top view of the inflatable bed set of FIG. 1.  
The broken lines shown in the figures represent portions of the inflatable bed set that form no part of the claimed design.

(56) **References Cited**

**U.S. PATENT DOCUMENTS**

D308,403 S 6/1990 LaForce, Jr.  
D391,435 S 3/1998 Song et al.  
D463,703 S 10/2002 Song et al.  
D487,372 S 3/2004 Ku  
D509,697 S \* 9/2005 Torres ..... D6/604

**1 Claim, 8 Drawing Sheets**



(56)

**References Cited**

U.S. PATENT DOCUMENTS

2007/0124864 A1\* 6/2007 Lau ..... A47C 27/087  
5/711  
2009/0320211 A1\* 12/2009 Lau ..... A47C 27/081  
5/713  
2017/0273472 A1\* 9/2017 Liu ..... A47C 27/087

\* cited by examiner

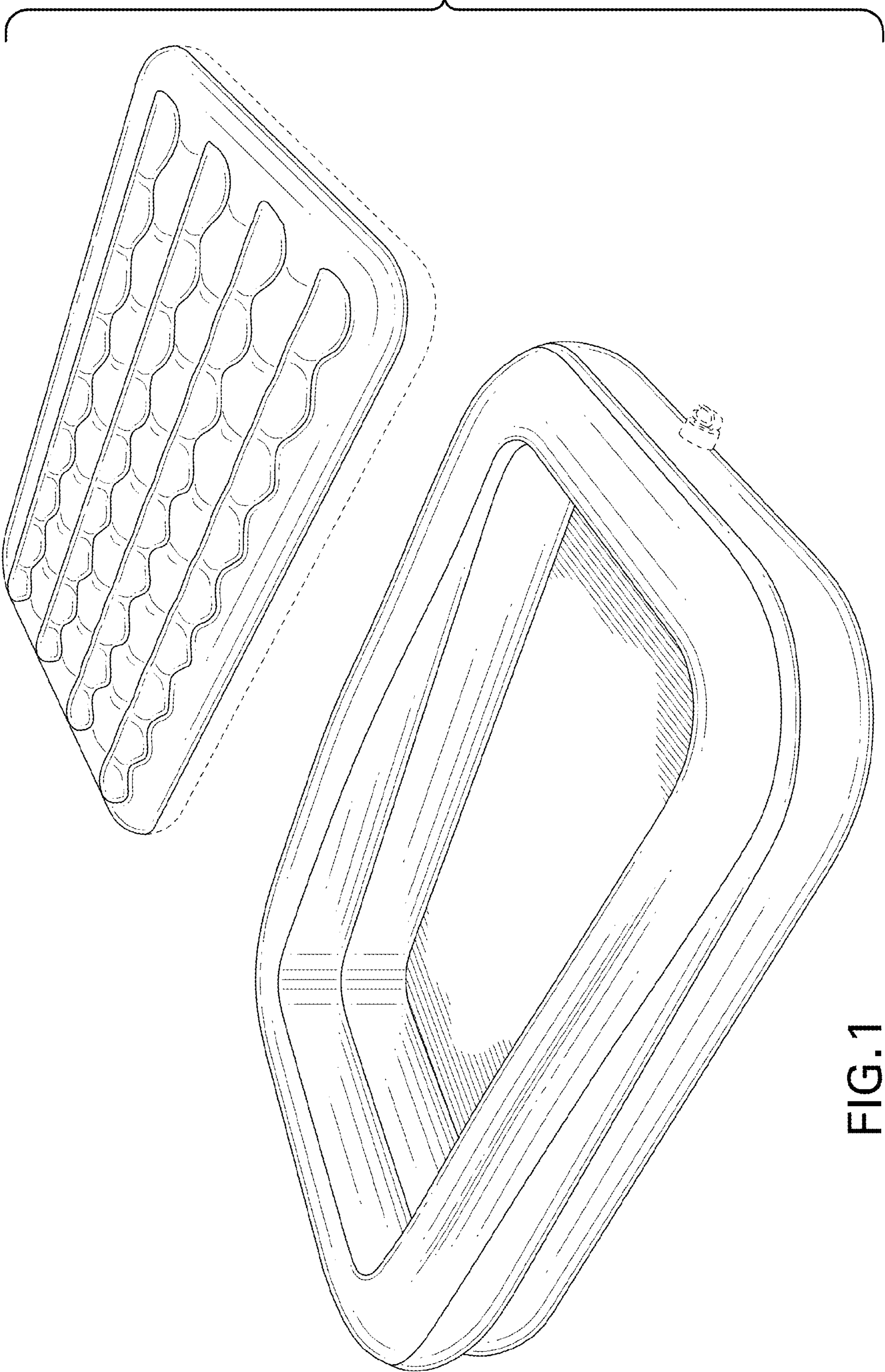


FIG.1

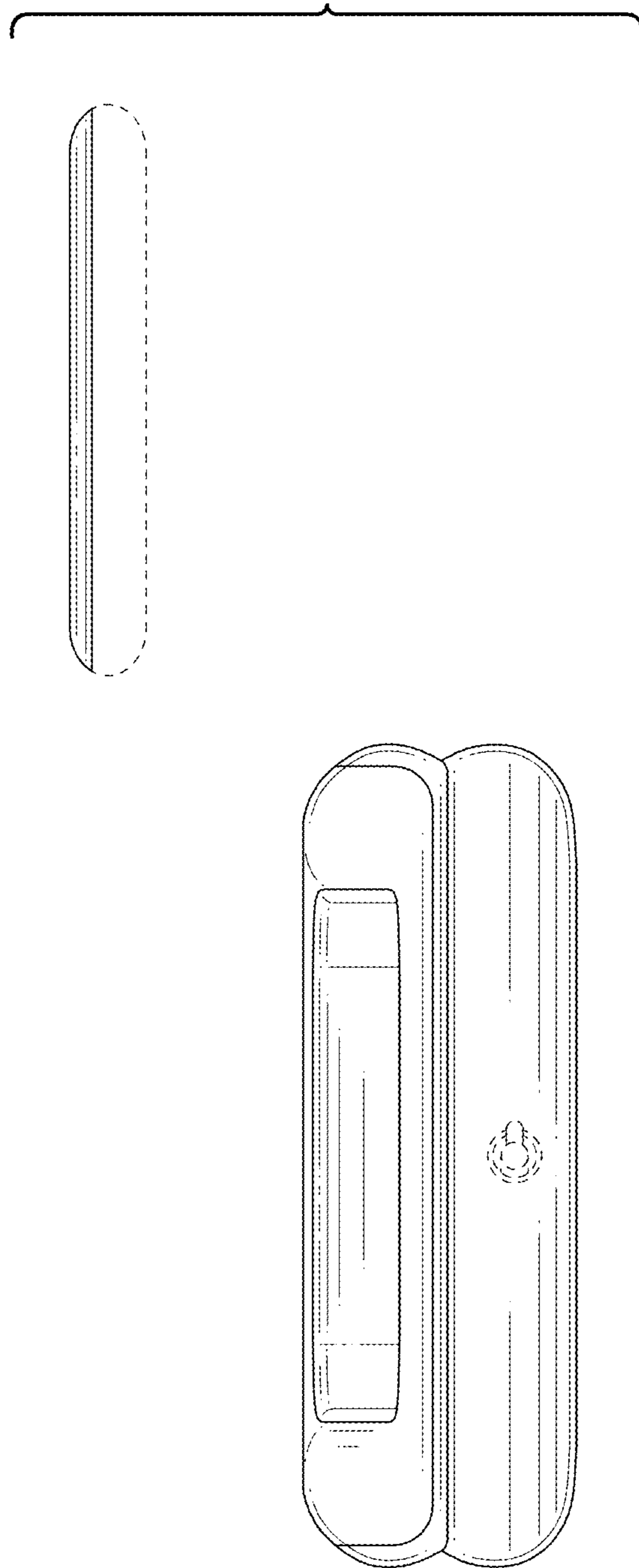


FIG. 2

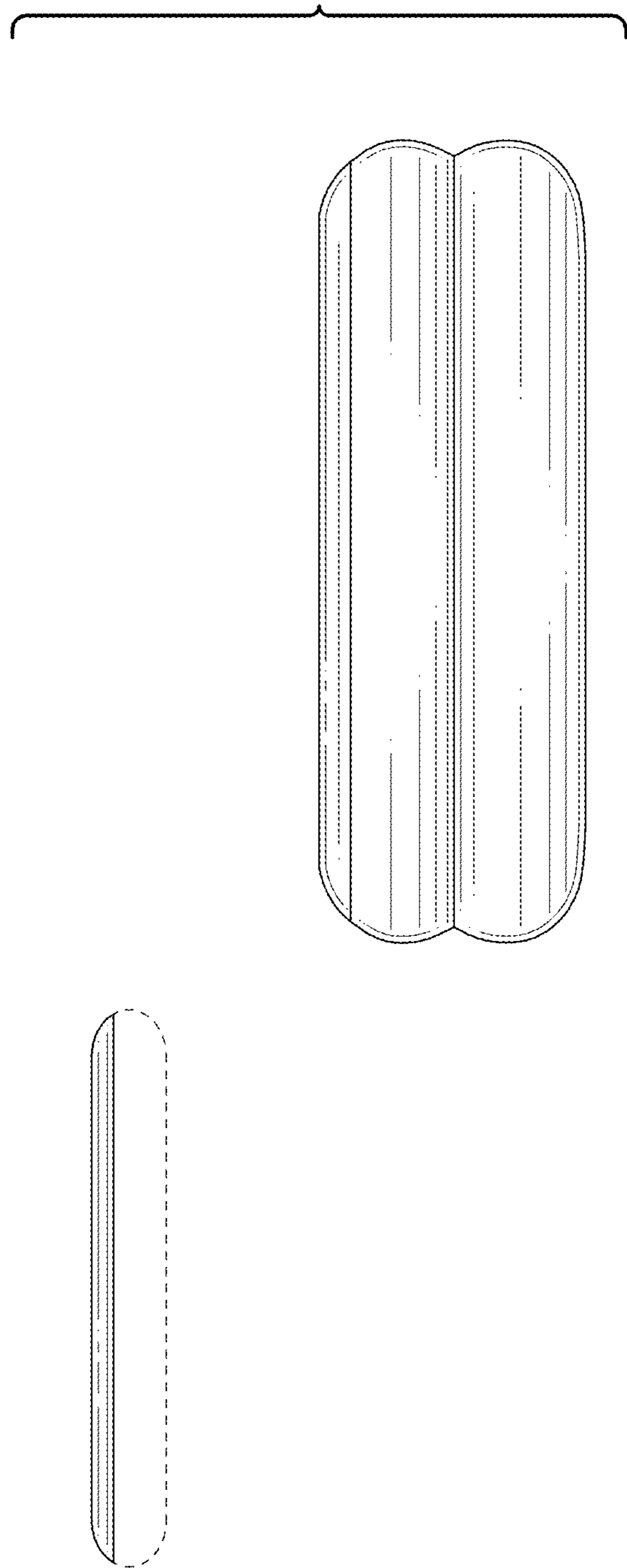


FIG. 3

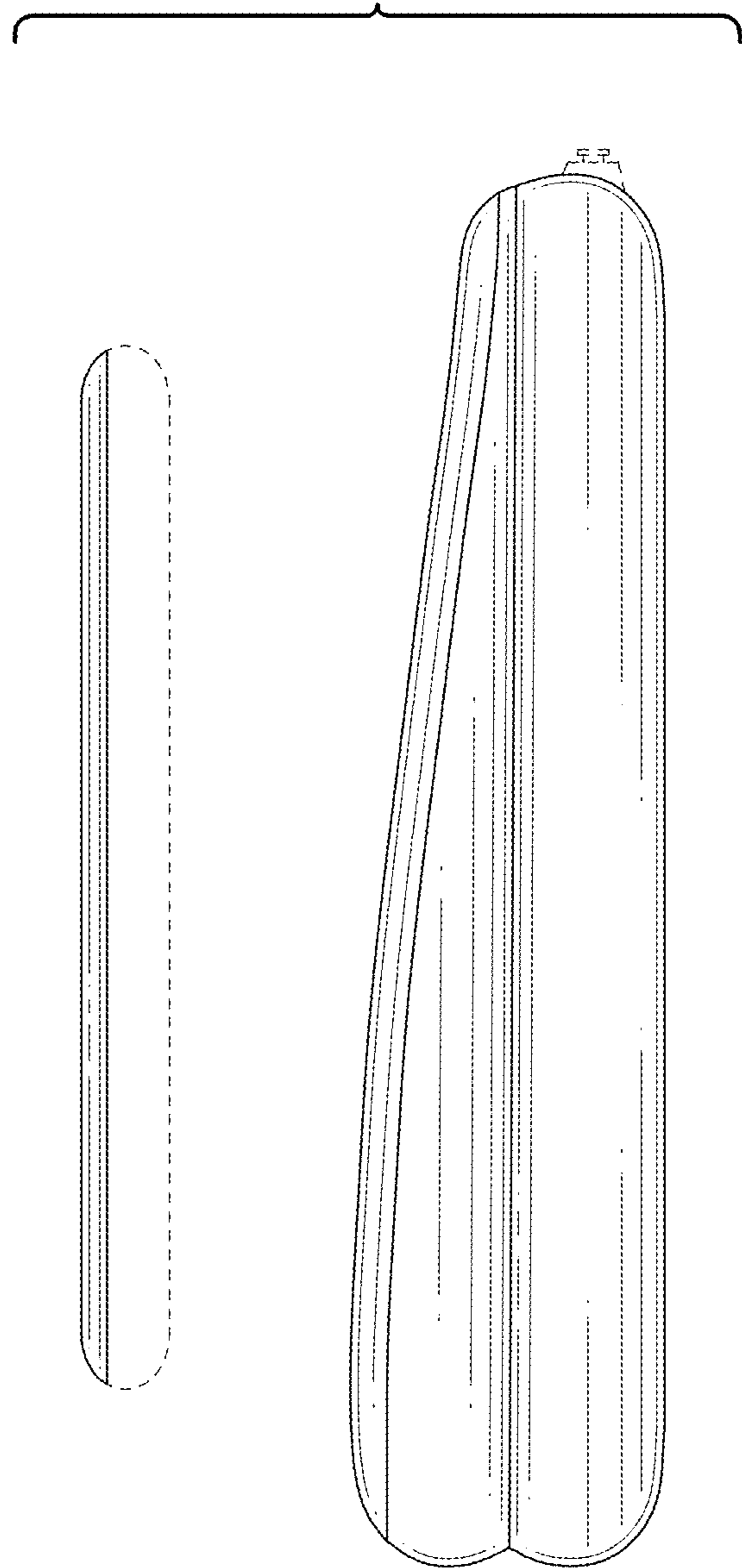


FIG.4

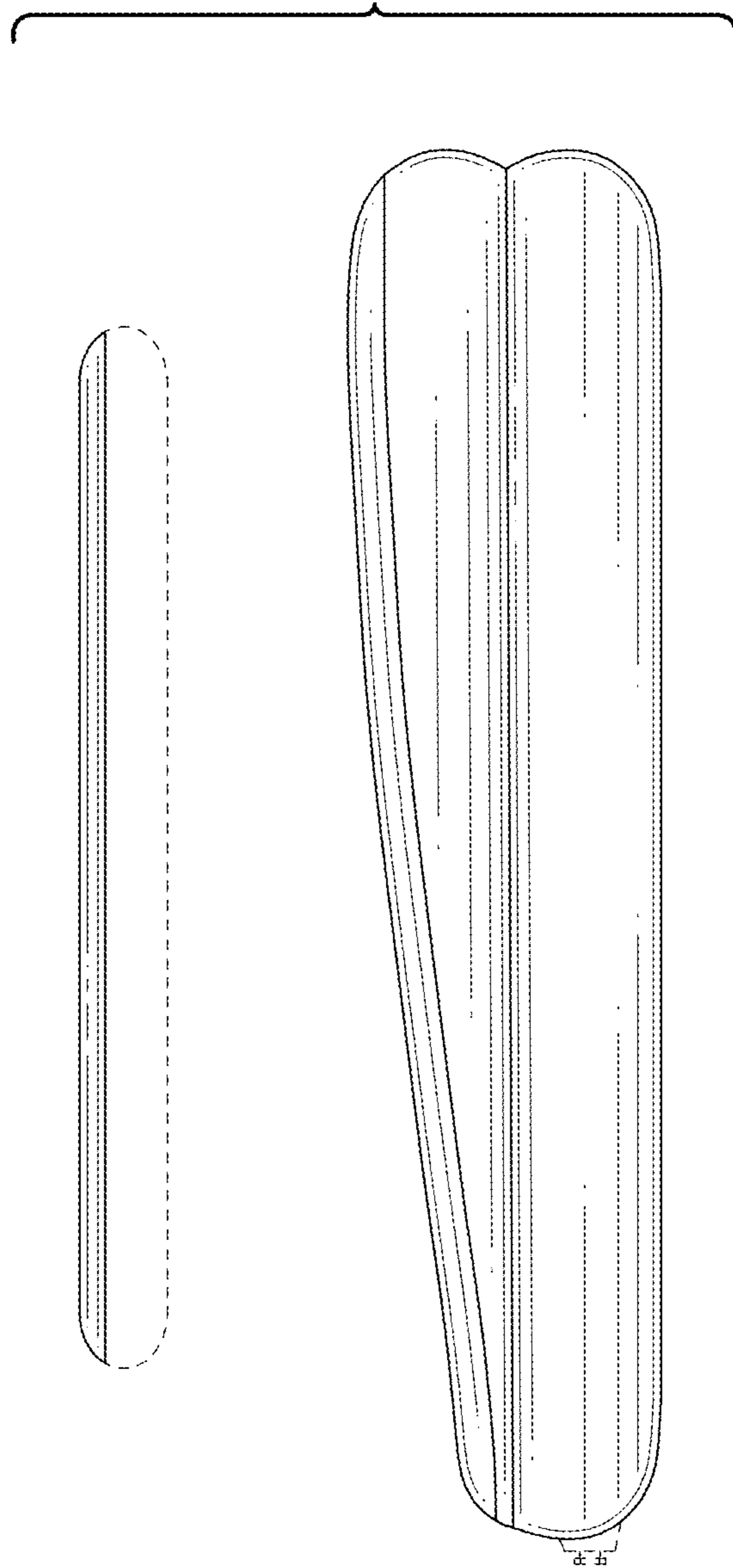


FIG. 5

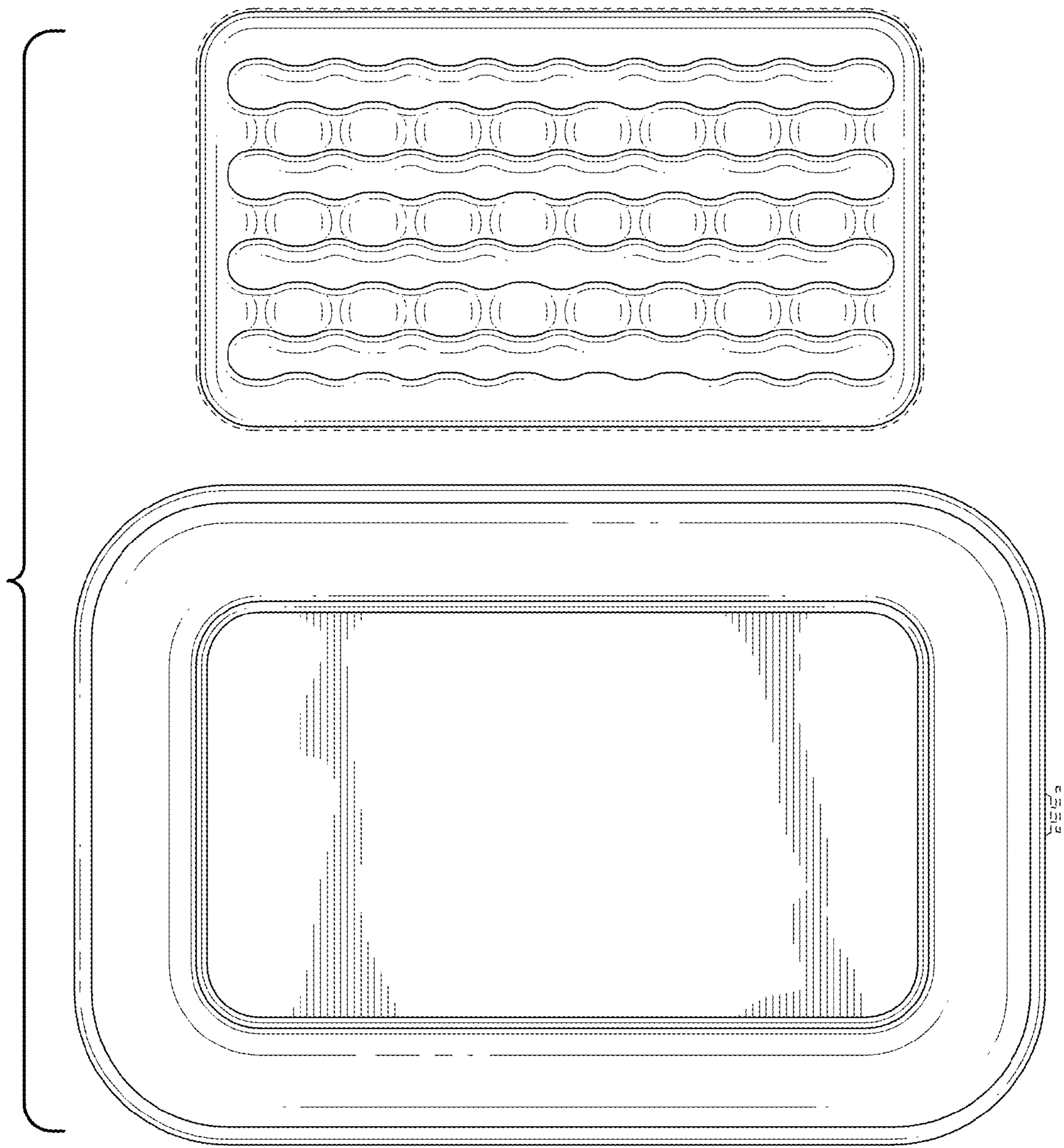


FIG. 6



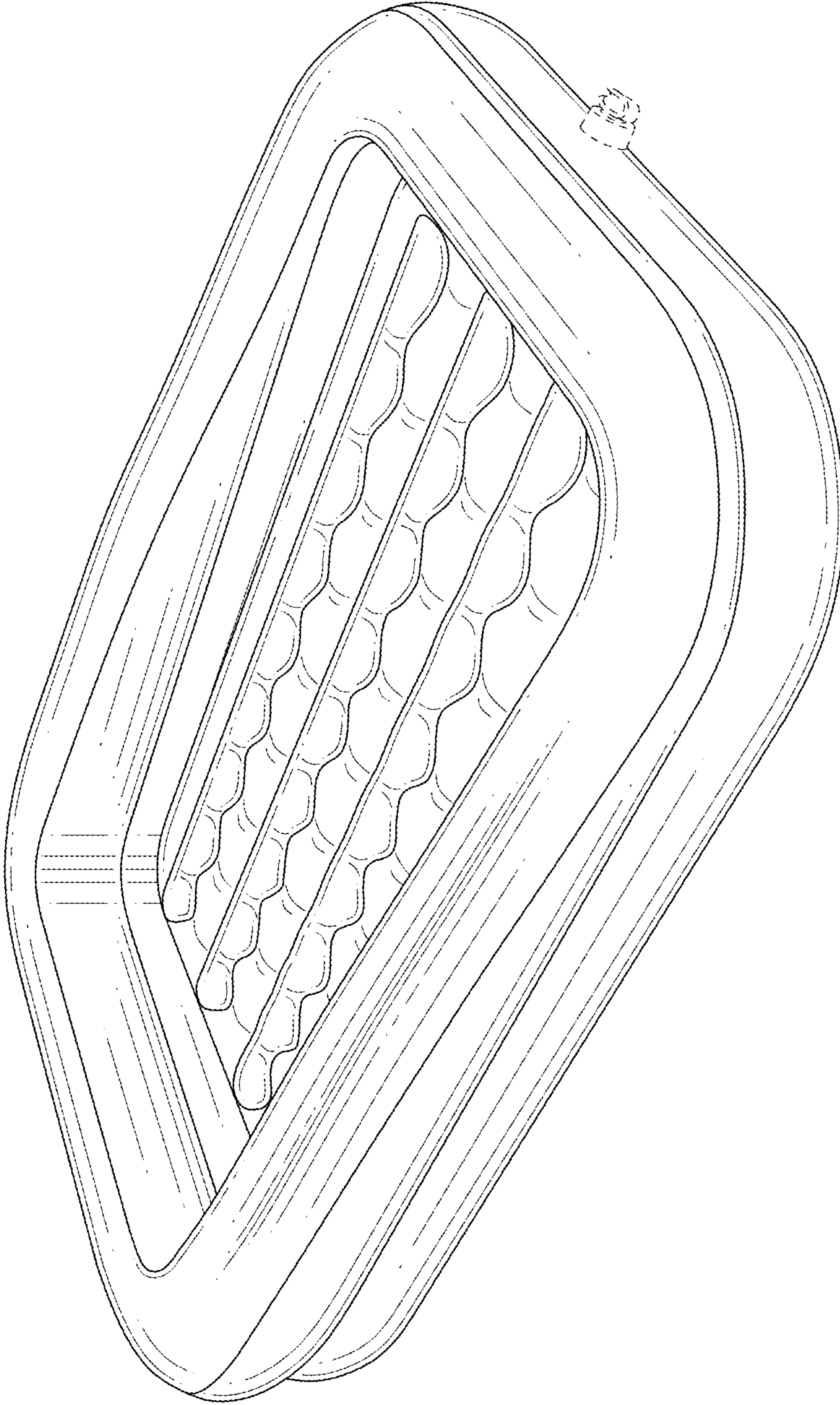


FIG. 7

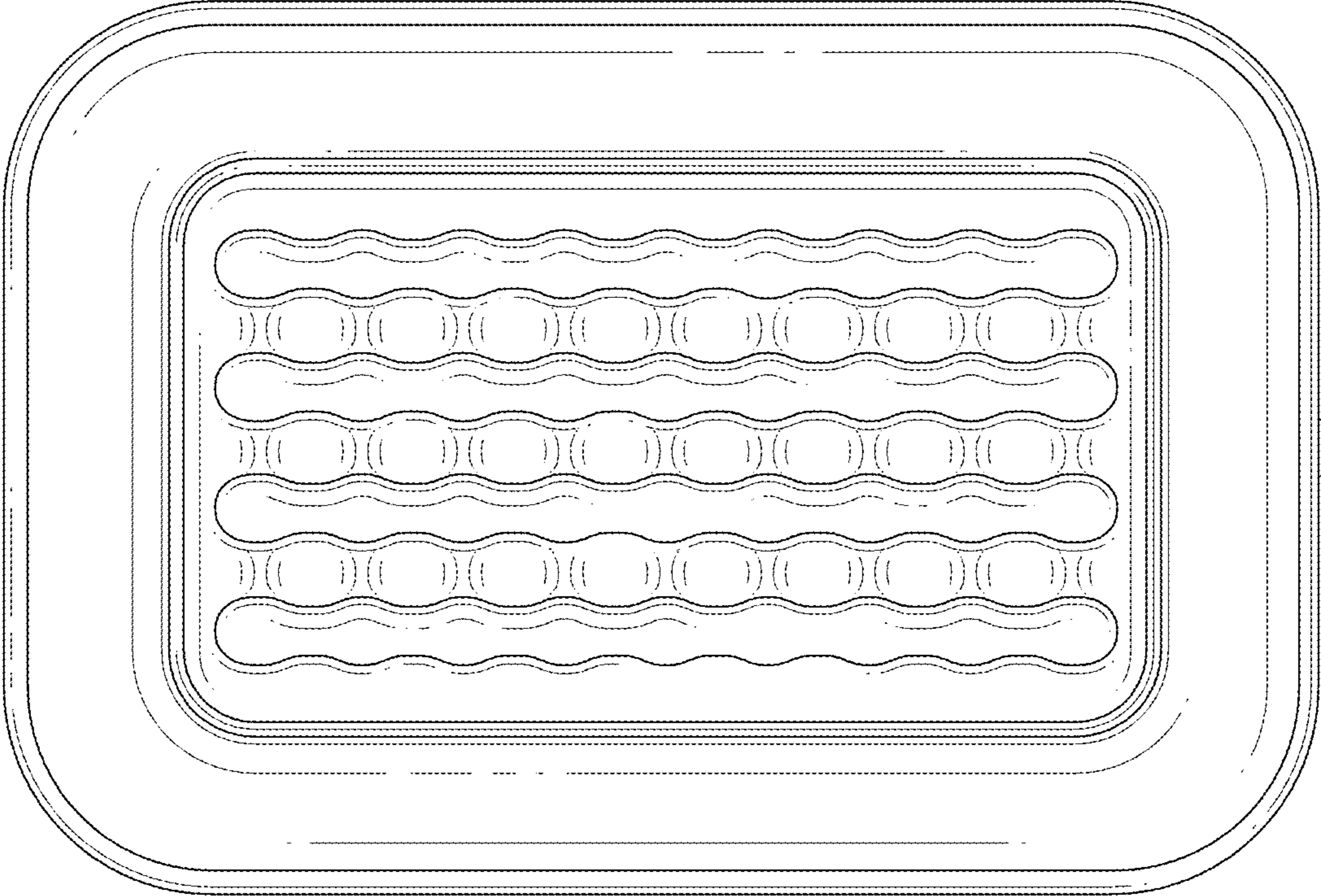


FIG. 8