



US00D899817S

(12) **United States Design Patent**
Zhou

(10) **Patent No.:** **US D899,817 S**
(45) **Date of Patent:** **** Oct. 27, 2020**

- (54) **AUTOMOBILE HEADREST CUSHION**
- (71) Applicant: **SHEN ZHEN STAND BY ME TECHNOLOGY LIMITED**, Shenzhen (CN)
- (72) Inventor: **Zhiping Zhou**, Huizhou (CN)
- (73) Assignee: **SHEN ZHEN STAND BY ME TECHNOLOGY LIMITED**, Shenzhen (CN)
- (**) Term: **15 Years**
- (21) Appl. No.: **29/661,926**
- (22) Filed: **Aug. 31, 2018**

- (30) **Foreign Application Priority Data**
Aug. 3, 2018 (CN) 2018 3 0426769
- (51) **LOC (12) Cl.** **06-09**
- (52) **U.S. Cl.**
USPC **D6/601**
- (58) **Field of Classification Search**
USPC D6/595, 596, 601, 604, 356, 716.5; 5/653
CPC A61G 5/1043; A61G 15/125; A61G 5/121; A61G 7/07; A47C 1/036; A47C 7/38; A47C 7/383; A47C 16/005; B60N 2/838; B60N 2/853; B60N 2/868; B60N 2/885; B60N 2/80; B60N 2/888; B60N 2/891; B60N 2/897; B60N 2/22; B60N 2/859; B60N 2/7035; A47G 9/1009; B64D 11/0642
See application file for complete search history.

- (56) **References Cited**
U.S. PATENT DOCUMENTS
573,147 A * 12/1896 Higgins A47C 7/38 297/405
2,642,927 A * 6/1953 Rising B60N 2/882 297/398
3,269,768 A * 8/1966 Kinney A61G 5/1094 297/68

(Continued)

FOREIGN PATENT DOCUMENTS

CN 304845565 * 2/2018
CN 305074212 * 10/2018

(Continued)

OTHER PUBLICATIONS

Classic PVC Car Headrest Pillow (on-line), no date available. Retrieved from Internet Jan. 30, 2020, URL: https://www.alibaba.com/product-detail/Patent-New-Classic-PVC-Car-Headrest_62425322960.html?spm=a2700.icbuShop.61684.4.4f4e75abCV2kQN (2 pages).*

(Continued)

Primary Examiner — Kimberly Barnes

(74) *Attorney, Agent, or Firm* — Hemisphere Law, PLLC; Zhigang Ma

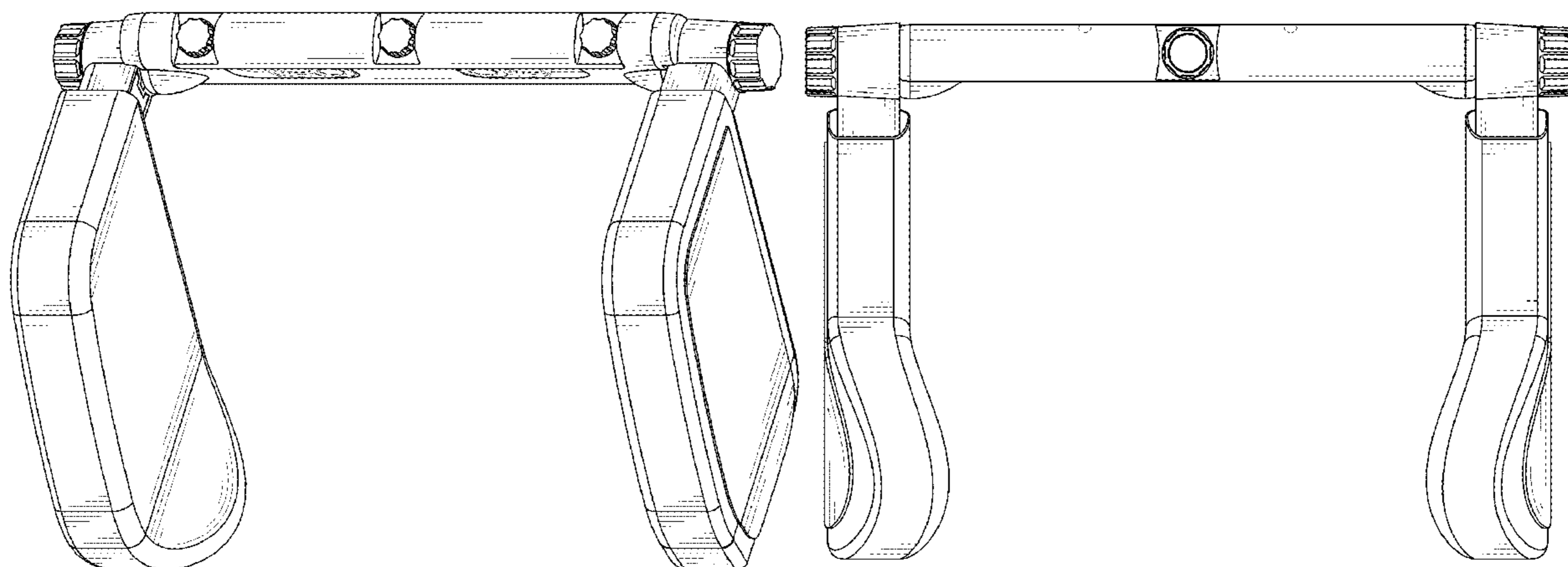
(57) **CLAIM**

The ornamental design for an automobile headrest cushion, as shown and described.

DESCRIPTION

FIG. 1 is a rear perspective view of an automobile headrest cushion showing my new design; FIG. 2 is a front view thereof; FIG. 3 is a rear view thereof; FIG. 4 is a left side view thereof; FIG. 5 is a right side view thereof; FIG. 6 is a top plan view thereof; and, FIG. 7 is a bottom plan view thereof. The broken line shown are included for the purpose of illustrating portions of the automobile headrest cushion which form no part of the claimed design.

1 Claim, 6 Drawing Sheets



(56)

References Cited

U.S. PATENT DOCUMENTS

3,497,259 A * 2/1970 Sherfey A61G 5/128
297/391
D436,271 S * 1/2001 Corti D6/716.5
6,460,927 B1 * 10/2002 Groth A61G 5/12
297/284.9
6,935,695 B2 * 8/2005 Carta Gonzalez A47C 7/383
297/397
7,131,698 B2 * 11/2006 Dowty B64D 11/06
297/408
D539,572 S * 4/2007 Nguyen D6/716.5
D574,644 S * 8/2008 Collings D6/716.5
7,744,158 B2 * 6/2010 Schurg B64D 11/0647
297/391
8,888,187 B2 * 11/2014 Albino B60N 2/885
297/397
9,463,725 B2 * 10/2016 Szczygiel B60N 2/885
9,566,885 B2 * 2/2017 Gazit B60N 2/806
9,616,789 B2 * 4/2017 Arriola B60N 2/882
9,701,231 B2 * 7/2017 Arriola B60N 2/882
9,855,874 B2 * 1/2018 Sanchez B60N 2/882
9,950,649 B2 * 4/2018 Pleiman B60N 2/809
10,220,753 B2 * 3/2019 Chiang B60N 2/885
10,618,442 B2 * 4/2020 Zhou B60N 2/853
2001/0040401 A1 * 11/2001 Lin B60N 2/885
297/397
2006/0244300 A1 * 11/2006 Watson Savage B60N 2/856
297/397
2012/0007405 A1 * 1/2012 Kim B60N 2/885
297/397
2012/0299356 A1 * 11/2012 Edwards B60N 2/882
297/397
2018/0056833 A1 * 3/2018 Kuhne B60N 2/885
2019/0152371 A1 * 5/2019 Carlson B60N 2/885

FOREIGN PATENT DOCUMENTS

JP D1181521 * 11/2002
JP D1210477 * 7/2003
JP D1210681 * 7/2003

OTHER PUBLICATIONS

Stand by Me Car Pillows (on-line), no date available. Retrieved from Internet Jan. 30, 2020, URL: <http://idolending.com/product/stand-by-me-car-pillows-for-sleepingcar-headrestkid-travel-pillowcar-head-rest-childseat-headrest-pillow-support-neck-head-shoulder-sleep-cushion-for-car-travel-black/> (1 page).*

Car Seat Headrest Neck Pillow (on-line), no date available. Retrieved from Internet Jan. 30, 2020, URL: <https://www.fancy2pick.com/products/car-seat-headrest-neck-pillow> (8 pages).*

ComfyRest Car Headrest Pillow (on-line), no date available. Retrieved from Internet Jan. 30, 2020, URL: <https://zertgo.com/products/comfyrest-car-headrest-pillow> (5 pages).*

RuYa Car Headrest Pillow (on-line), no date available. Retrieved from Internet Jan. 30, 2020, URL: <https://www.amazon.com/RuYa-headrest-Support-Protect-Suitable/dp/B07CVYGGMZ?th=1> (1 page).*

Segmart Travel Headrest Pillow (on-line), no date available. Retrieved from Internet Jan. 30, 2020, URL: <https://www.walmart.com/ip/New-Seat-Support-Head-Adults-Pillow-Side-The-Black-16645-Neck-Protect-Kids-Adjustable-Travel-2019-Headrest-Car-Used-Pillow/538924162> (2 pages).*

Tryone Travel Neck Pillow—Car Headrest (on-line), no date available. Retrieved from Internet Jan. 30, 2020, URL: <https://rebatekey.com/rebate/tryone-car-headrest-pillow-travel-headrest-pillow-car-seat-side-pillow-for3> (2 pages).*

Car Headrest (on-line), no date available. Retrieved from Internet Jan. 30, 2020, URL: <https://www.ebay.com/itm/Car-Headrest-Head-Prop-Support-Pillow-Leather-Cushion-Seat-Sleeping-Accessories-/113082094940> (1 page).*

* cited by examiner

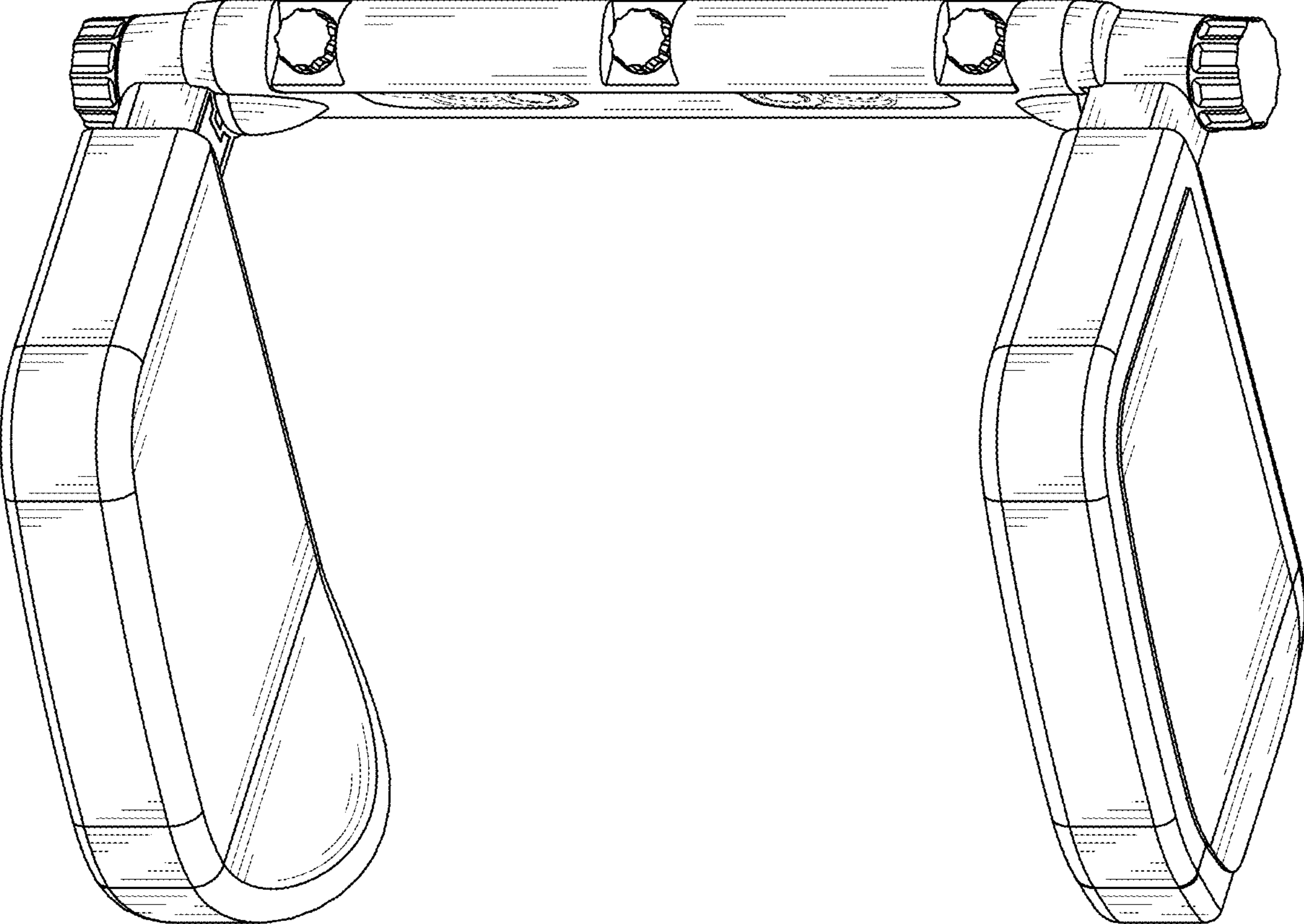


FIG. 1

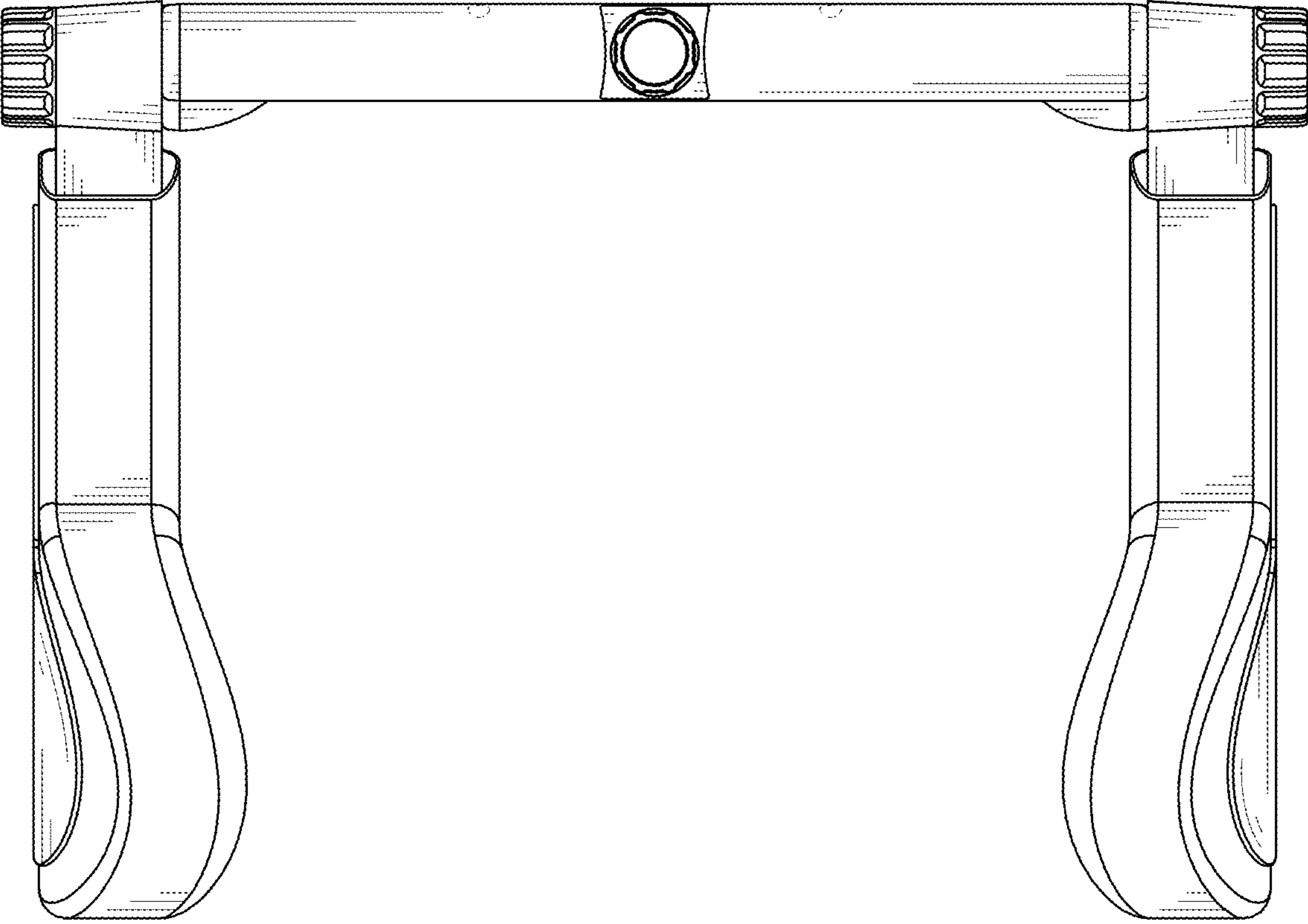


FIG. 2

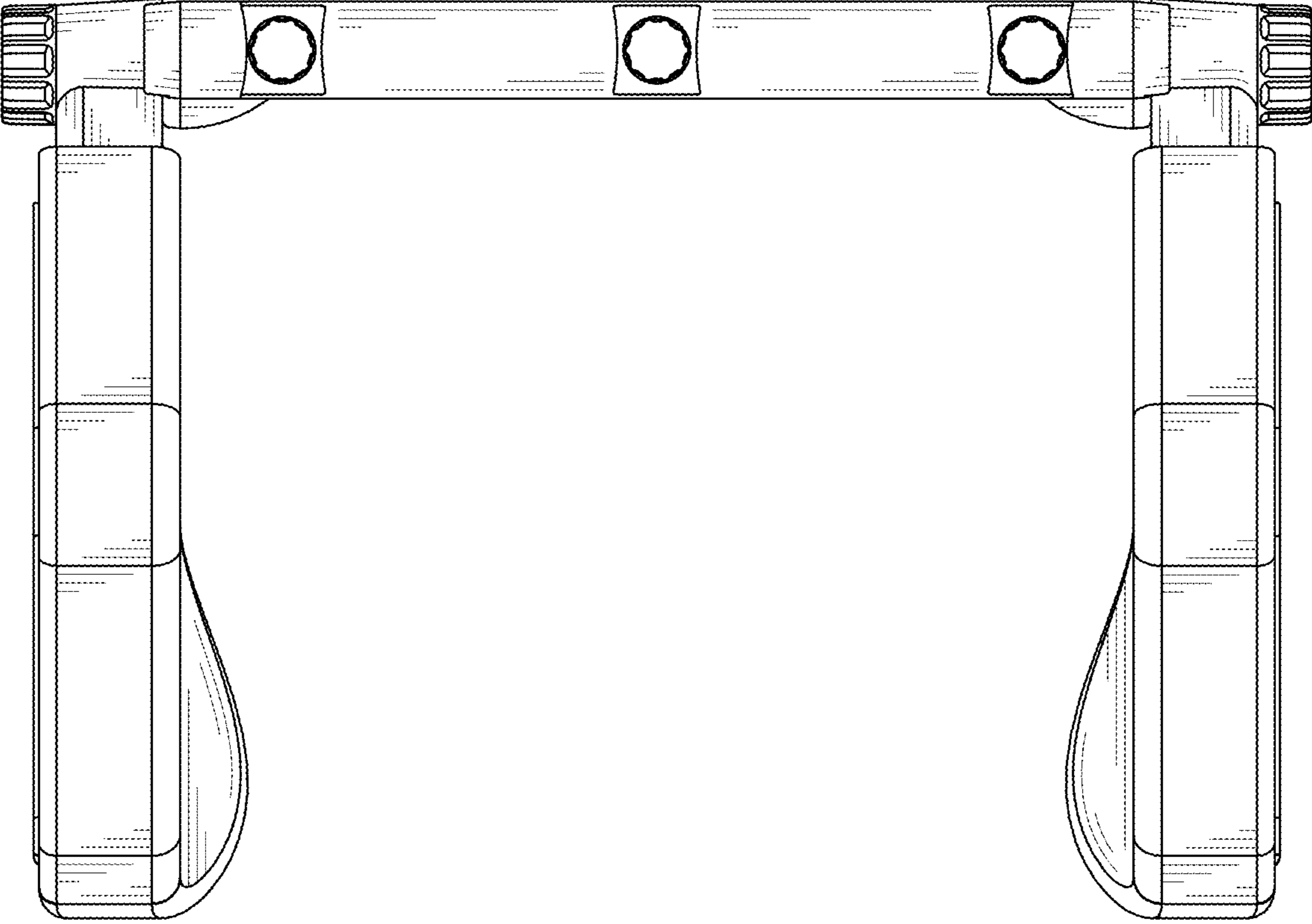


FIG. 3

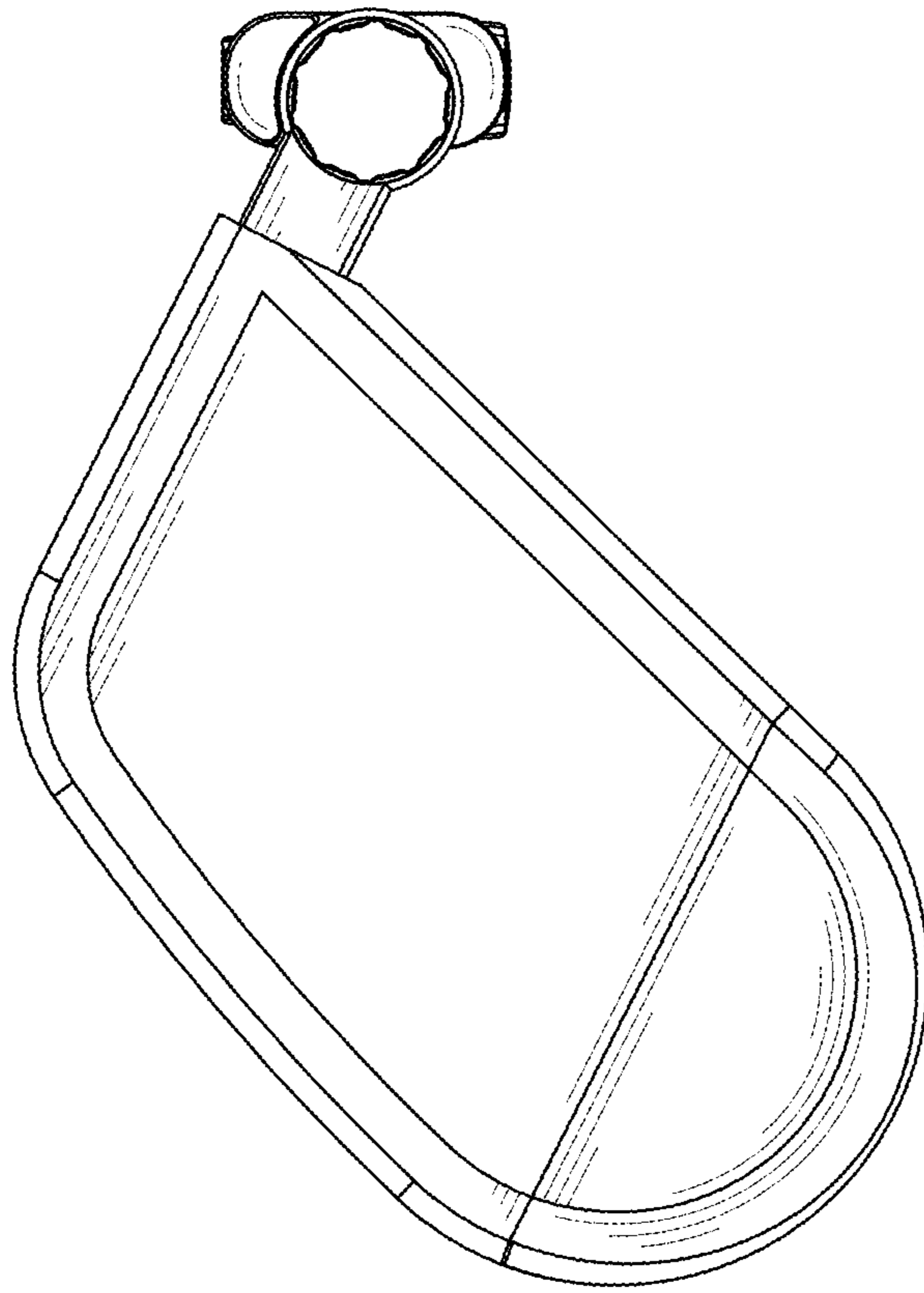


FIG. 4

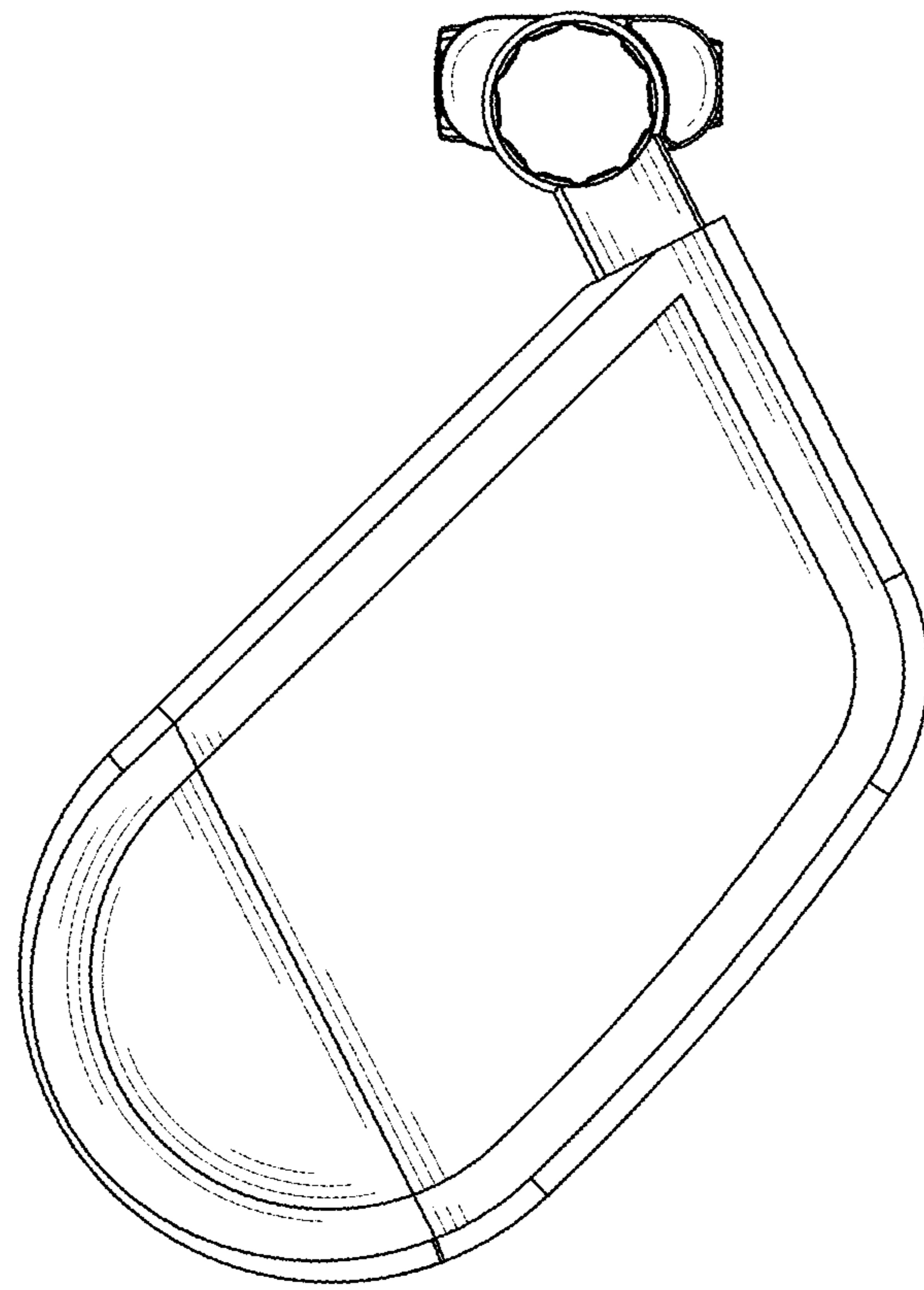


FIG. 5

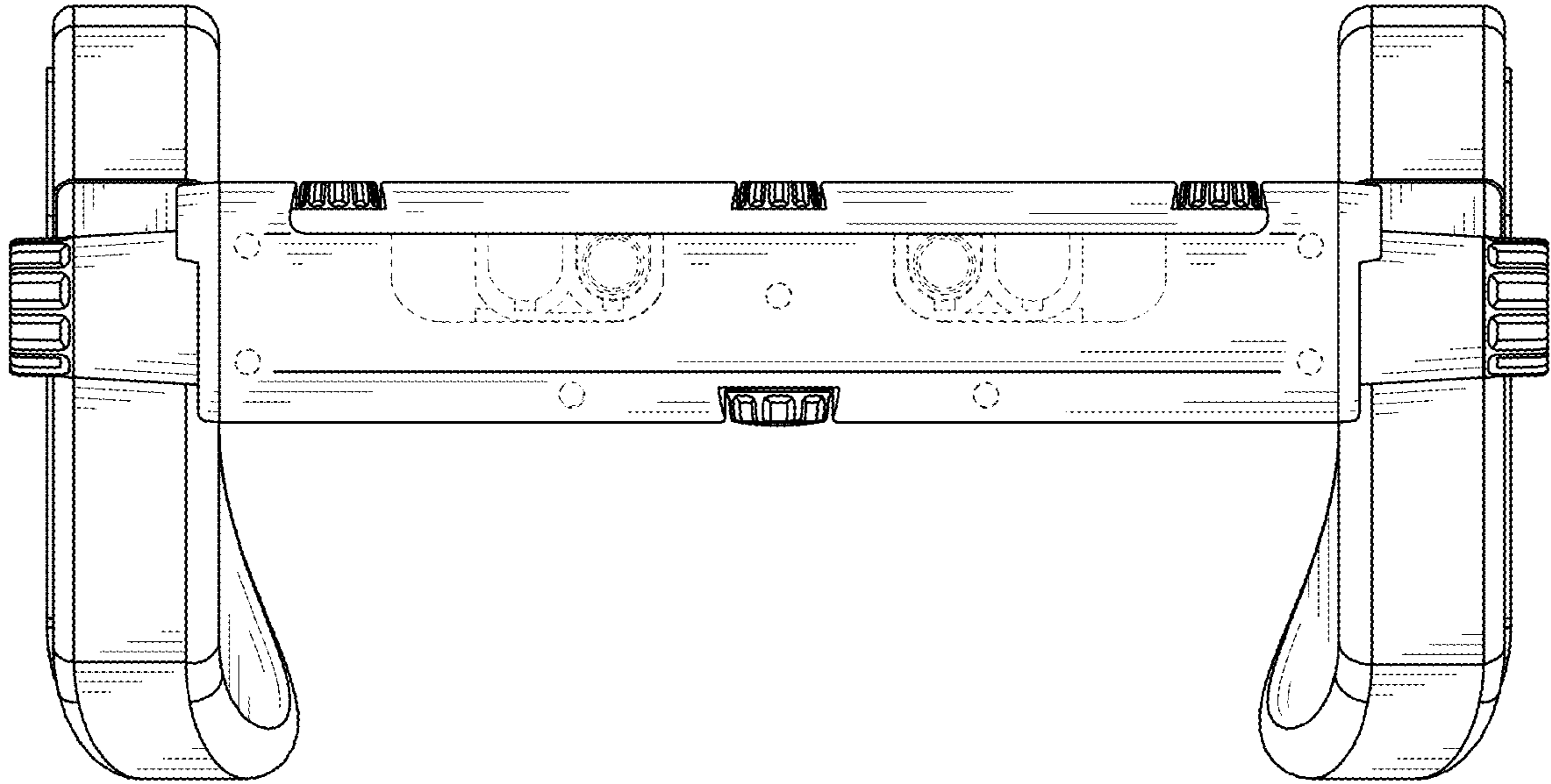


FIG. 6

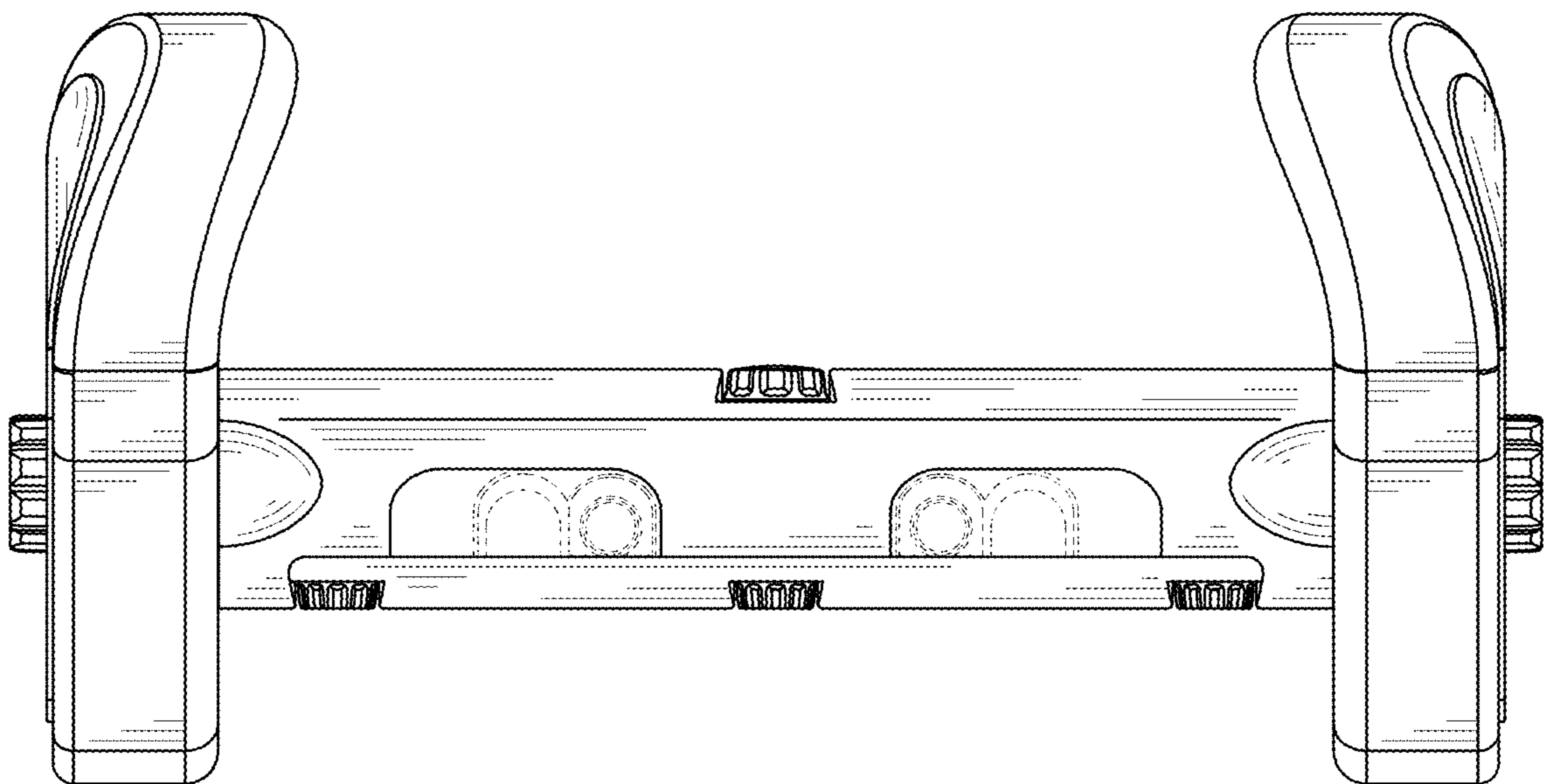


FIG. 7