



US00D899810S

(12) **United States Design Patent**
Chou

(10) **Patent No.:** **US D899,810 S**

(45) **Date of Patent:** **** Oct. 27, 2020**

- (54) **CURTAIN RAIL FIXING SEAT**
- (71) Applicant: **Tser Wen Chou**, Yorba Linda, CA (US)
- (72) Inventor: **Tser Wen Chou**, Yorba Linda, CA (US)
- (**) Term: **15 Years**
- (21) Appl. No.: **29/672,695**
- (22) Filed: **Dec. 7, 2018**
- (51) **LOC (12) Cl.** **06-10**
- (52) **U.S. Cl.**
USPC **D6/580; D8/356; D8/349**
- (58) **Field of Classification Search**
USPC D6/575-577, 579, 580; D13/155;
D25/119, 121, 136; D8/356
CPC A47H 1/04; A47H 15/00; A47H 23/01;
E06B 2009/2622; E06B 2009/402; E06B
2009/407; E06B 9/26; E06B 9/28; E06B
9/323; E06B 9/36; E06B 9/386; E06B
9/388; E06B 9/40; E06B 9/42; E06B 9/58
See application file for complete search history.

- D482,223 S * 11/2003 Bibby E06B 9/56
D6/580
- 7,004,436 B2 * 2/2006 Knapp F16B 5/0032
248/220.22
- D587,100 S * 2/2009 Allsopp E06B 9/42
D8/356
- D762,106 S * 7/2016 Lo D8/349
- D816,475 S * 5/2018 Ochi A47F 5/0838
D8/395
- 10,174,549 B1 * 1/2019 Chou E06B 9/323
D861,471 S * 10/2019 Ild D8/394
- 2007/0215297 A1 * 9/2007 Lin A47H 1/04
160/332
- 2016/0340972 A1 * 11/2016 Chou E06B 9/42
- 2017/0096854 A1 * 4/2017 Lichtman E06B 9/56
- 2019/0271190 A1 * 9/2019 Chou E06B 9/42

* cited by examiner

Primary Examiner — Eric L Goodman

Assistant Examiner — Clare Ann Gannon

(74) *Attorney, Agent, or Firm* — Guice Patents PLLC

(57) **CLAIM**

The ornamental design for a curtain rail fixing seat, as shown and described.

(56) **References Cited**

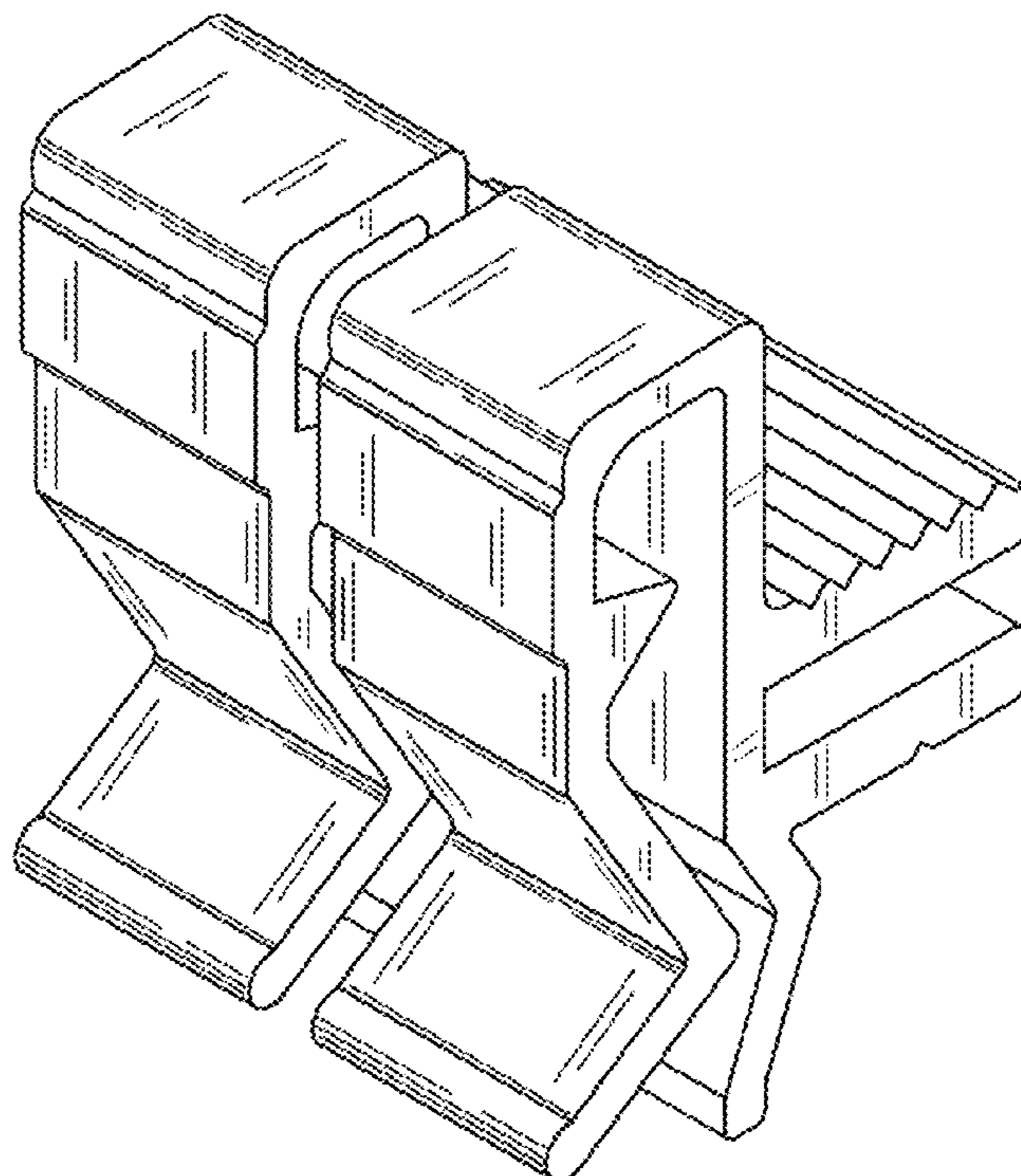
U.S. PATENT DOCUMENTS

- 3,136,357 A * 6/1964 Lorentzen E06B 9/323
160/178.1 R
- D220,424 S * 4/1971 Hindenburg D8/395
- D259,393 S * 6/1981 Kuru A47H 1/04
D8/380
- 6,378,828 B1 * 4/2002 Valiulis A47F 5/0838
211/59.1
- D473,127 S * 4/2003 Yoko E06B 9/323
D8/395

DESCRIPTION

FIG. 1 is a perspective view of a curtain rail fixing seat; FIG. 2 is a front view thereof; FIG. 3 is a rear view thereof; FIG. 4 is a right side view thereof; FIG. 5 is a left side view thereof; FIG. 6 is a top view thereof; and, FIG. 7 is a bottom view thereof.

1 Claim, 4 Drawing Sheets



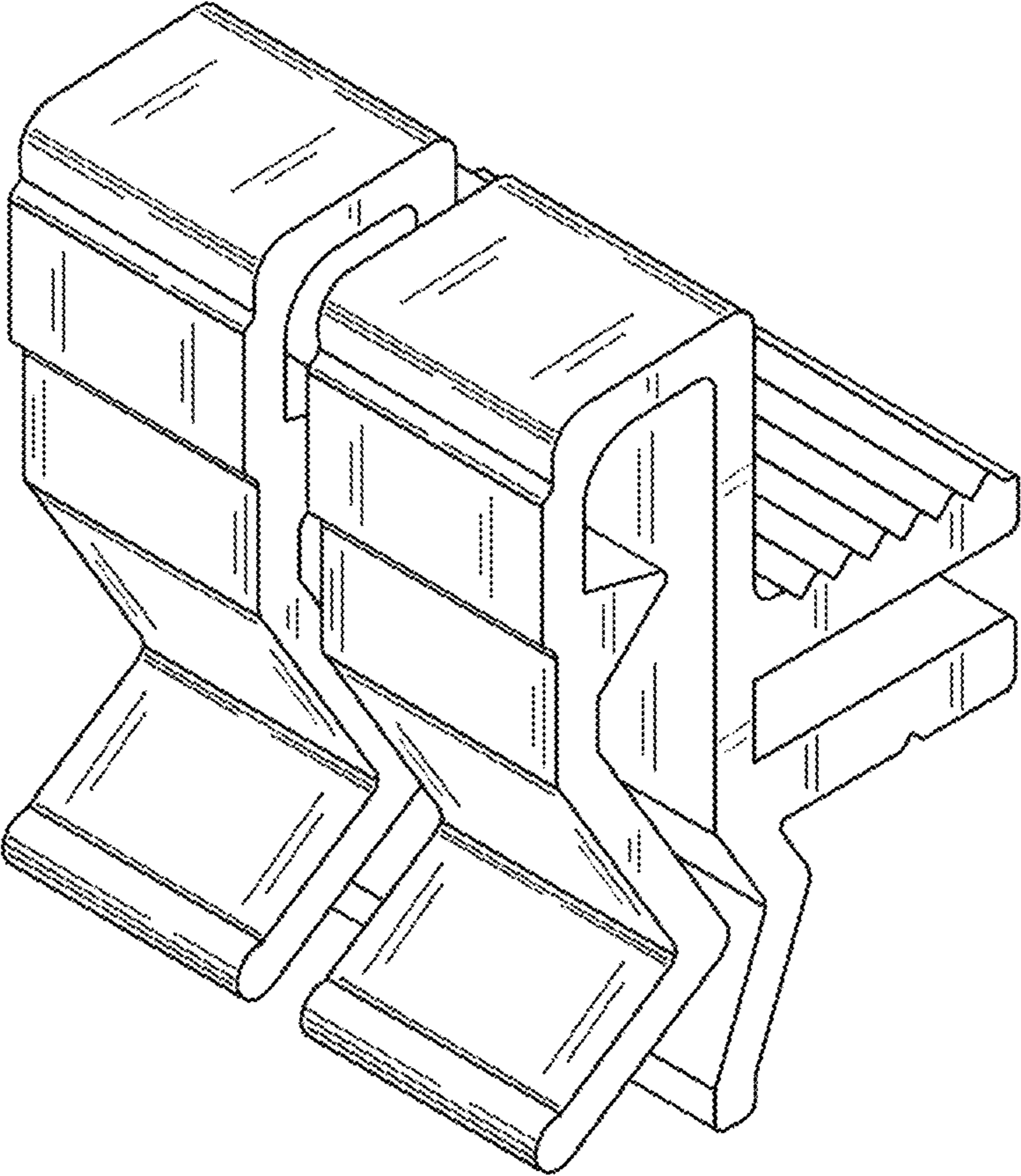


FIG. 1

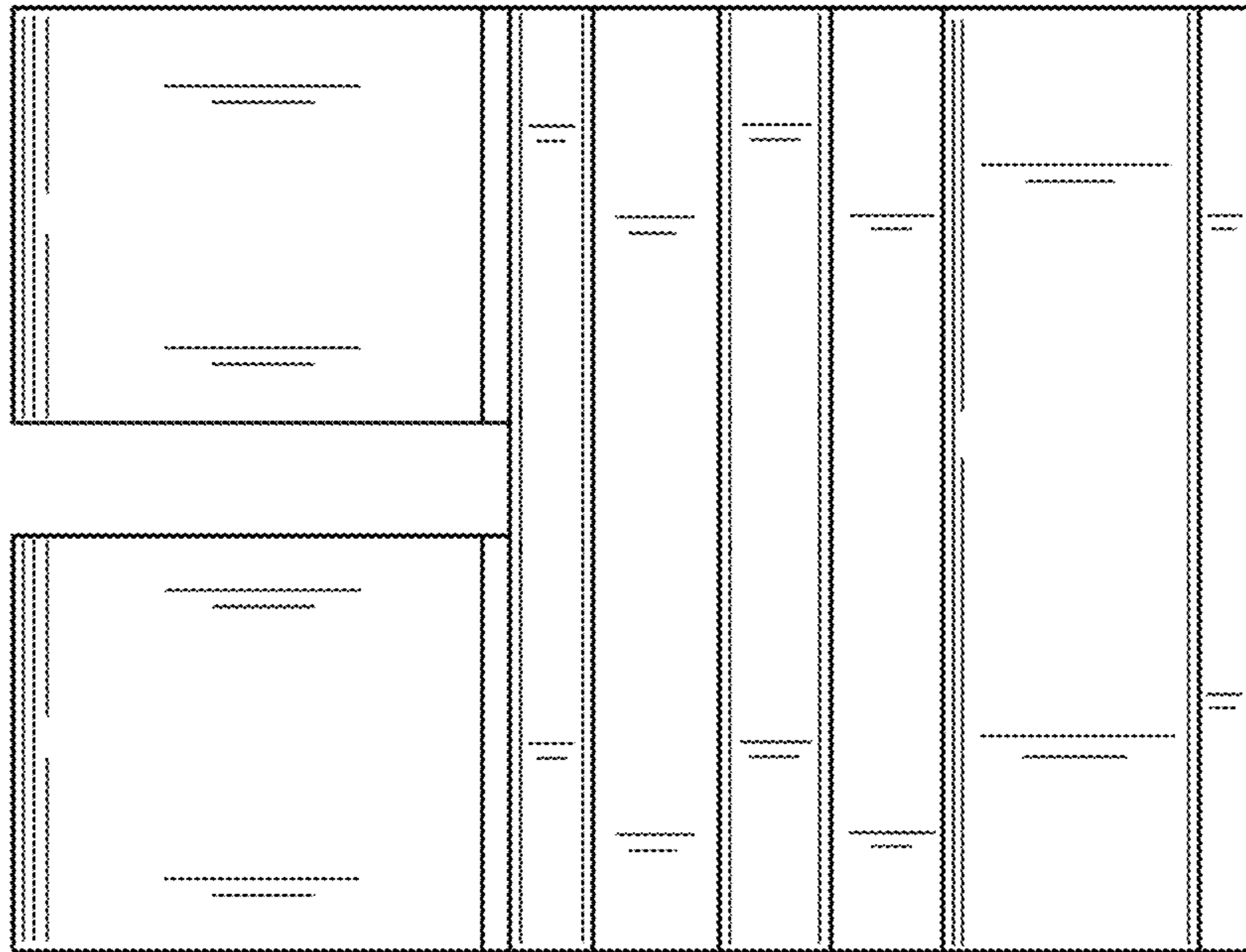


FIG. 2

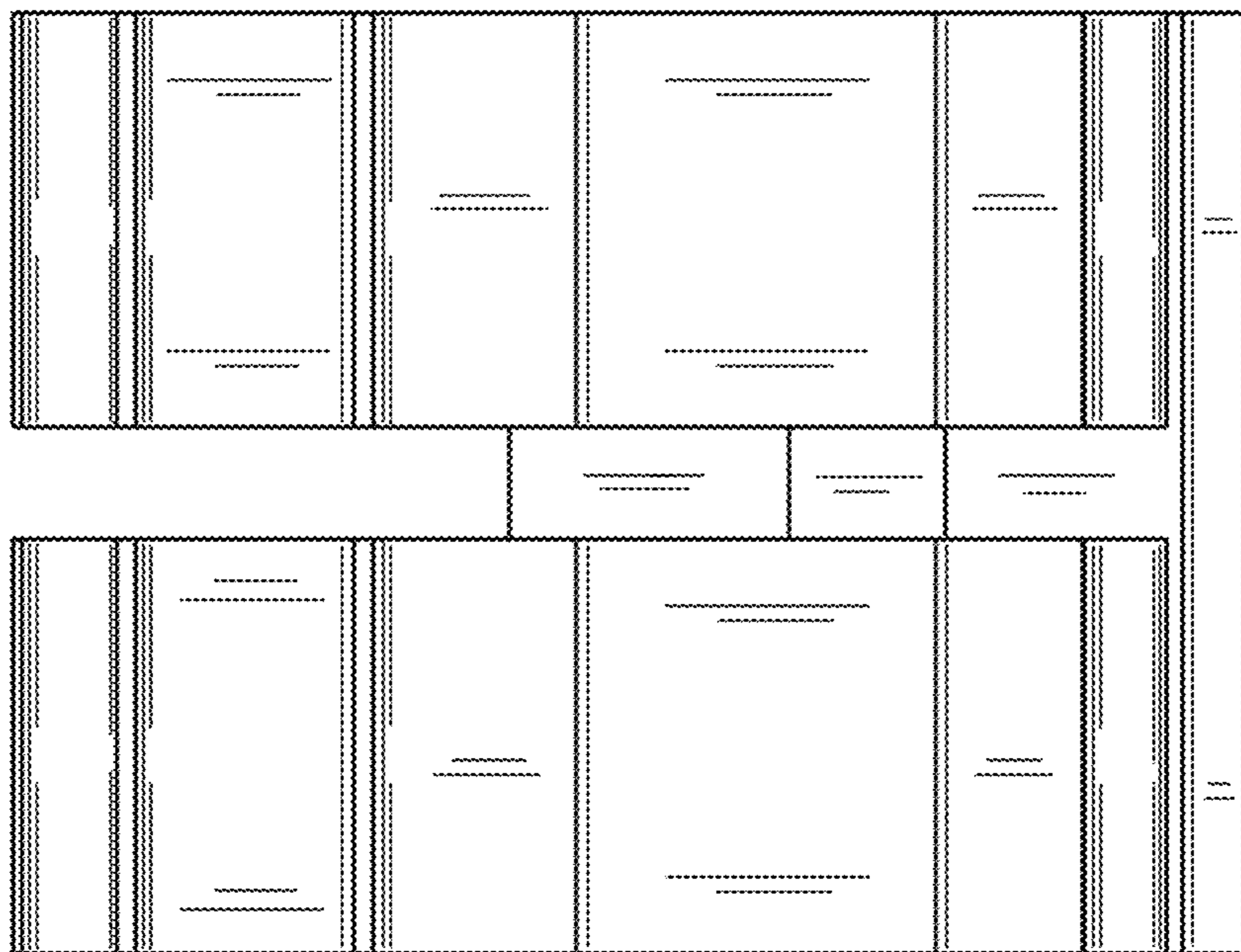


FIG. 3

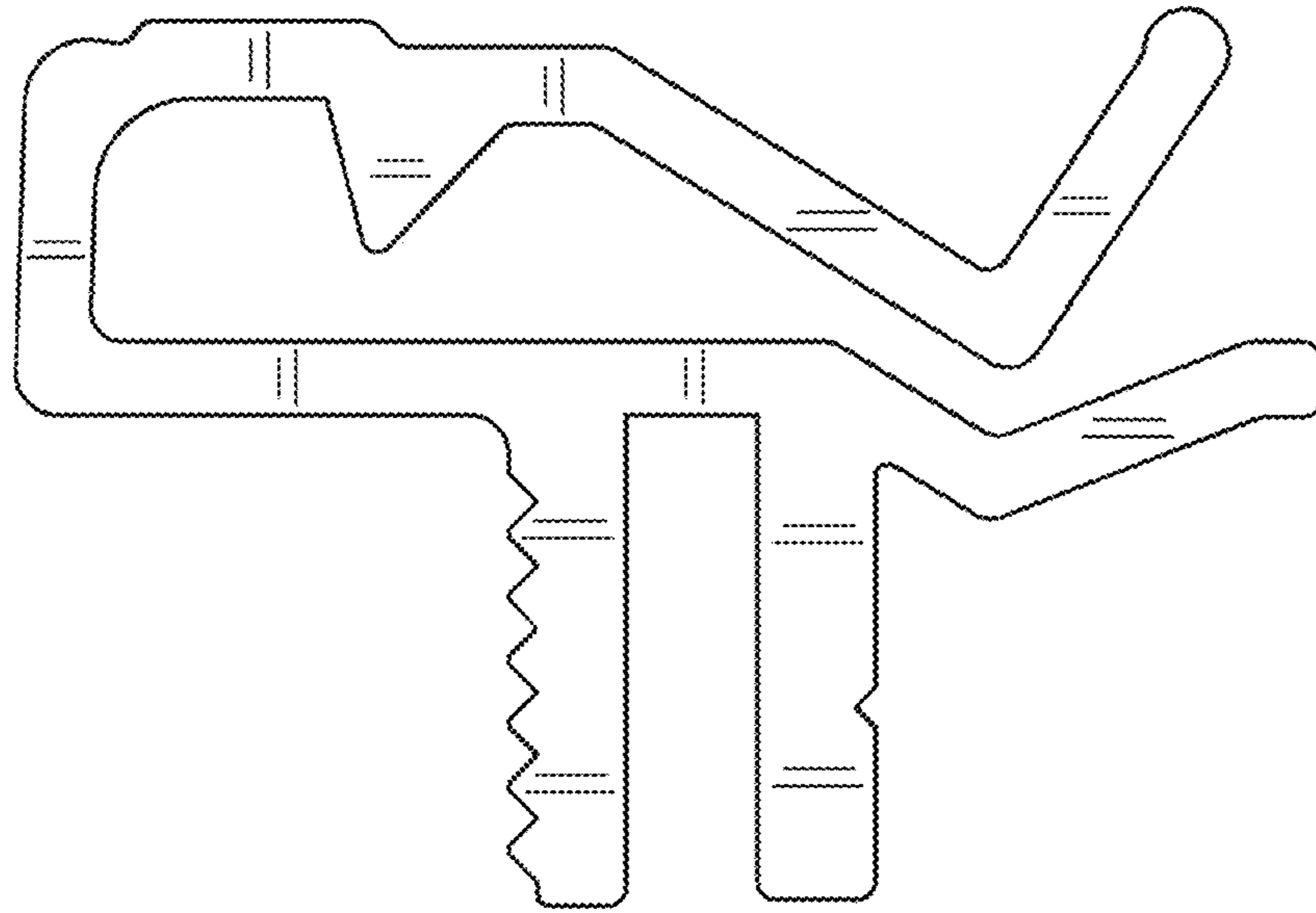


FIG. 5

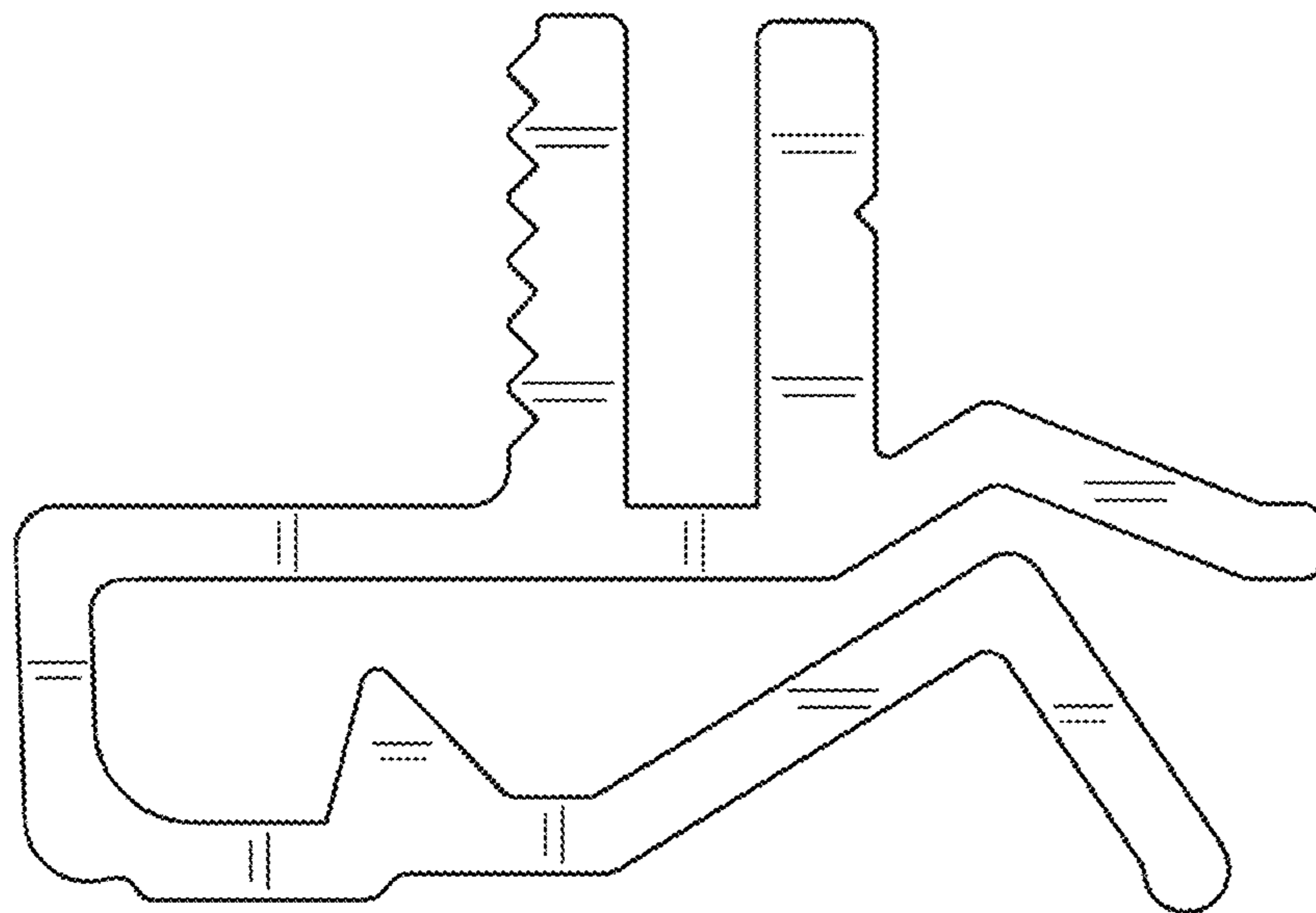


FIG. 4

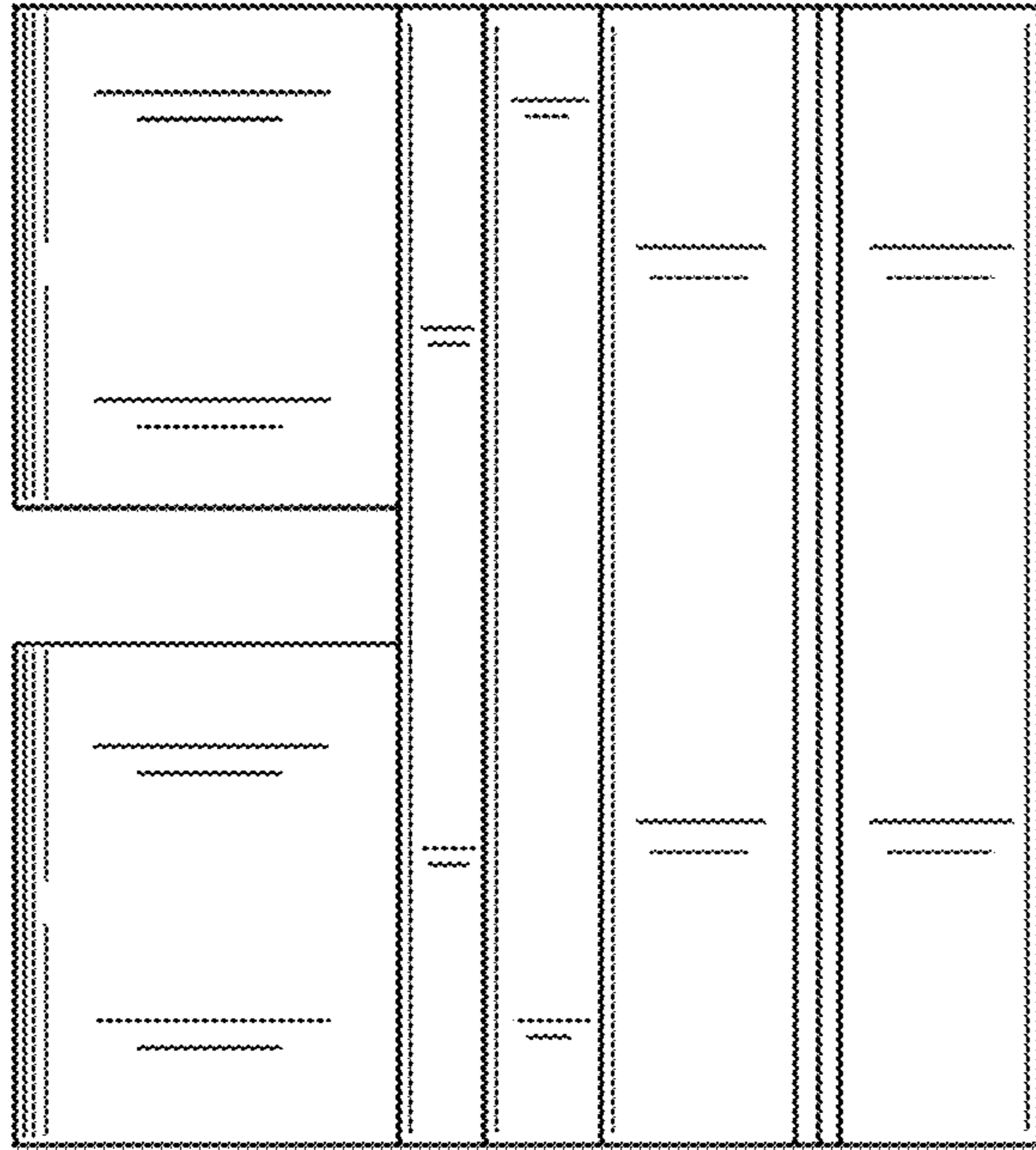


FIG. 7

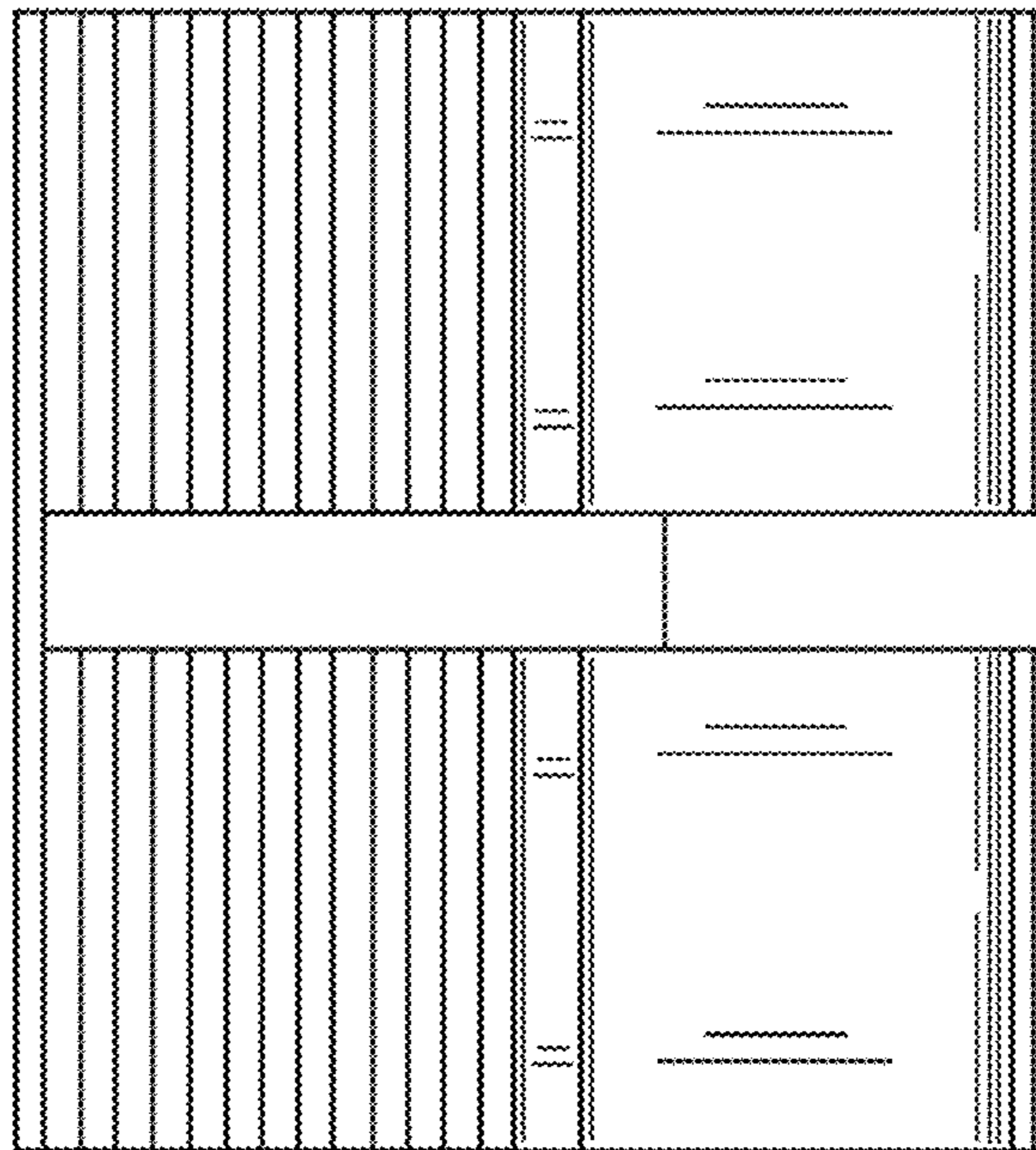


FIG. 6