



US00D899809S

(12) **United States Design Patent**
Rutgers et al.

(10) **Patent No.:** **US D899,809 S**

(45) **Date of Patent:** **** Oct. 27, 2020**

(54) **TOWEL BAR**

(71) Applicant: **Taymor Industries Ltd.**, Delta (CA)

(72) Inventors: **Janet Ruth Rutgers**, White Rock (CA); **Tania Antoinette Richardson**, Toronto (CA); **Alexandre Blazys**, Montreal (CA); **Benoit Gerard**, Montreal (CA); **Saleem Jahan Khattak**, Coquitlam (CA)

(73) Assignee: **TAYMOR INDUSTRIES LTD.**, Delta (CA)

(**) Term: **15 Years**

(21) Appl. No.: **29/647,374**

(22) Filed: **May 11, 2018**

(51) **LOC (12) Cl.** **06-04**

(52) **U.S. Cl.**
USPC **D6/549**

(58) **Field of Classification Search**
USPC D6/546–550, 512–525; 211/13.1, 16, 211/85.5, 86.01, 87.01, 88.04, 100, 105.1, 211/105.2, 106, 113, 123, 181.1, 211/182–183; 248/49, 175, 176.1, 200, 248/201, 205.1, 251, 302, 309.1, 315; 242/570, 590, 595–598; D8/300, D8/315–321, 354, 363, 373, 380; 108/28–29; D25/45
CPC A47K 10/3836; A47K 10/38
See application file for complete search history.

(56) **References Cited**

U.S. PATENT DOCUMENTS

D283,977 S * 5/1986 Kunzler D8/301
D312,935 S * 12/1990 Chap D6/549
D334,315 S * 3/1993 Bengtson D23/304
D343,107 S * 1/1994 Fulton D8/315

D370,617 S * 6/1996 Decursu D8/316
D385,177 S * 10/1997 Perry D6/549
D388,272 S * 12/1997 Moore D6/549
D403,230 S * 12/1998 Ziemer D8/317
D455,034 S * 4/2002 Ou-Young D6/523
D468,145 S * 1/2003 Ouyoung D6/549

(Continued)

Primary Examiner — Nathan M Johnston

(74) *Attorney, Agent, or Firm* — Borden Ladner Gervais LLP; Curtis B. Behmann

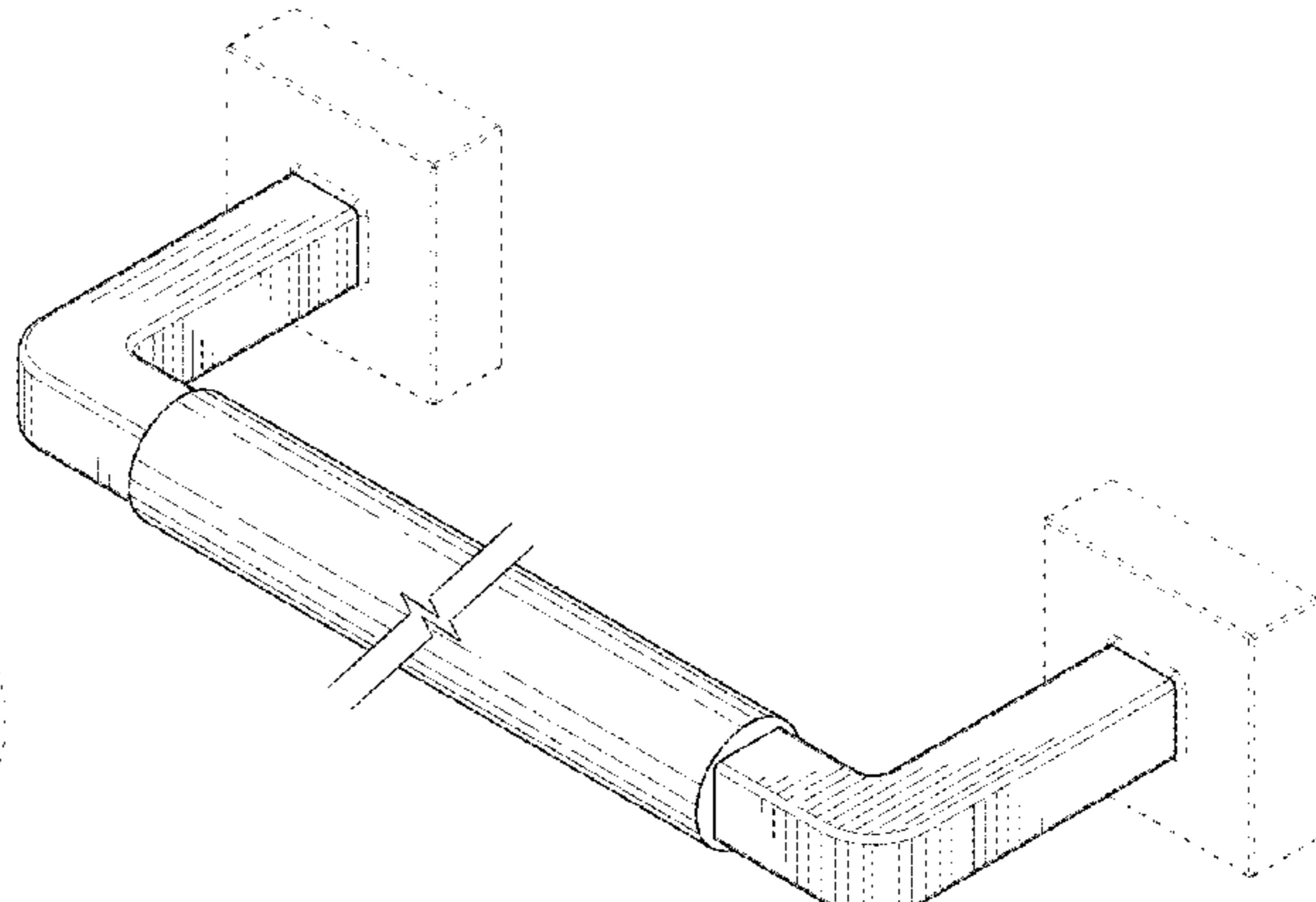
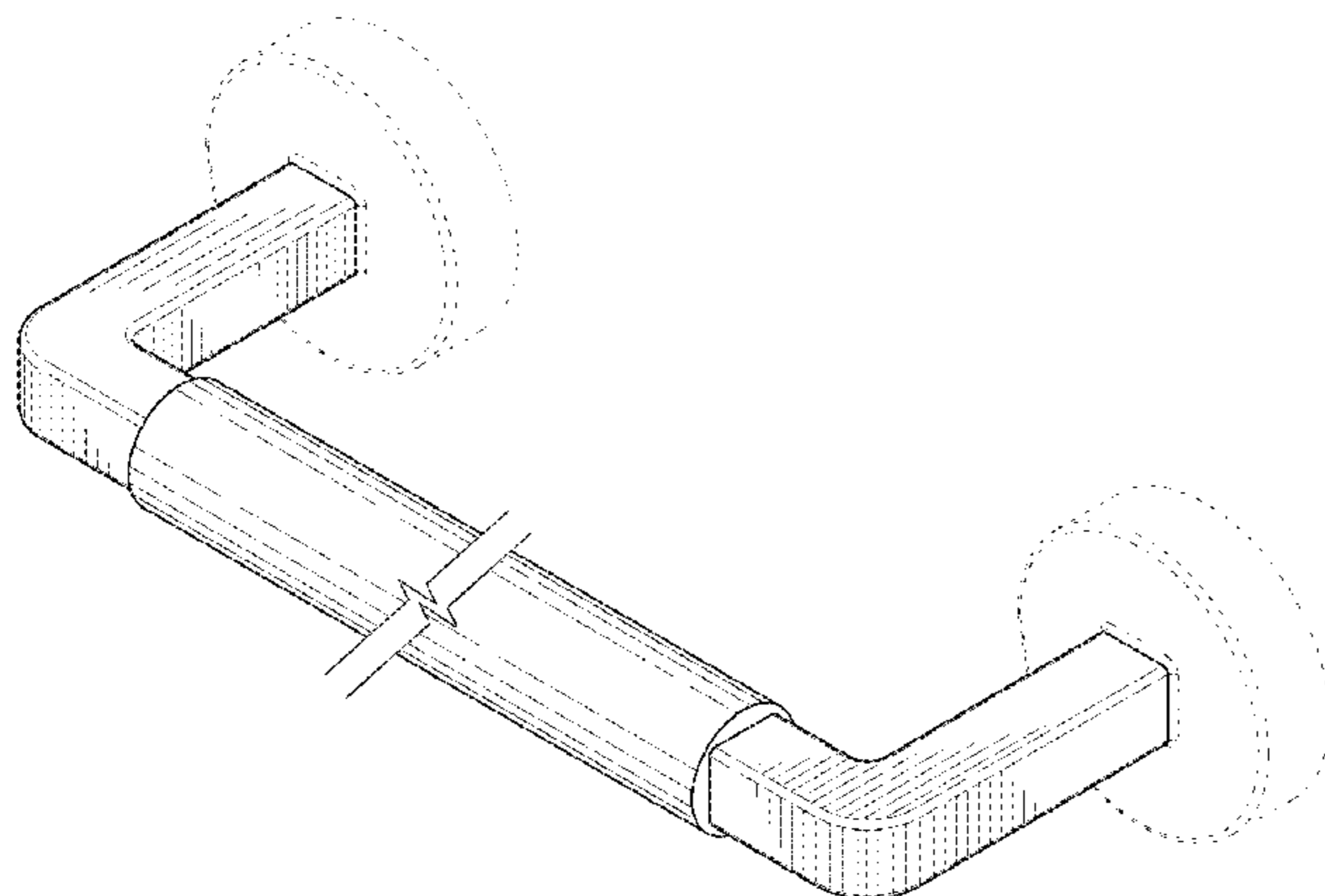
(57) **CLAIM**

The ornamental design of a towel bar, as shown and described.

DESCRIPTION

FIG. 1 is a front perspective view of a towel bar showing the design of variable length according to a first embodiment; FIG. 2 is a front view thereof; FIG. 3 is a rear view thereof; FIG. 4 is a top view thereof; FIG. 5 is a bottom view thereof; FIG. 6 is a right side view thereof; FIG. 7 is a left side view thereof; FIG. 8 is a front perspective view of a towel bar showing the design of variable length according to a second embodiment; FIG. 9 is a front view thereof; FIG. 10 is a rear view thereof; FIG. 11 is a top view thereof; FIG. 12 is a bottom view thereof; FIG. 13 is a right side view thereof; and, FIG. 14 is a left side view thereof. Shading is used in the drawings to better illustrate the design. The features shown in broken lines depict environmental subject matter only and form no part of the claimed design. The towel bar is shown with a symbolic break in its length. The appearance of any portion of the article between the break lines forms no part of the claimed design.

1 Claim, 12 Drawing Sheets



(56)

References Cited

U.S. PATENT DOCUMENTS

D470,742	S	*	2/2003	Fields	D8/316
D484,396	S	*	12/2003	Owings	D8/373
D494,808	S	*	8/2004	Thomkins	D7/394
D513,694	S	*	1/2006	Vitkauskas	D8/300
7,124,451	B2	*	10/2006	Moore	A47K 3/003 4/576.1
D540,597	S	*	4/2007	Hoernig	D6/549
D554,972	S	*	11/2007	Pezzetta	D8/319
D563,762	S	*	3/2008	Spencer, Jr.	D8/316
D569,704	S	*	5/2008	Ricereto	D8/315
D572,110	S	*	7/2008	Busalt	D8/316
D572,111	S	*	7/2008	Busalt	D8/316
D582,750	S	*	12/2008	Heidrich	D8/316
D584,936	S	*	1/2009	Ricereto	D8/315
D588,172	S	*	3/2009	Yang	D15/89
D588,897	S	*	3/2009	Ricereto	D8/317
D600,054	S	*	9/2009	Hanes	D6/523
D719,008	S	*	12/2014	Han	D8/315
D729,035	S	*	5/2015	Zimmer	D8/316
D731,205	S	*	6/2015	Newson	D6/549
D737,112	S	*	8/2015	Han	D8/316
D737,653	S	*	9/2015	Fuller	D8/316
D763,654	S	*	8/2016	Chung	D8/315
D779,913	S	*	2/2017	Zimmer	D8/316
D780,552	S	*	3/2017	Zimmer	D8/316
D781,641	S	*	3/2017	Incukur	D7/393
D785,366	S	*	5/2017	Andrew	D6/549
D790,315	S	*	6/2017	Zimmer	D8/316
D790,316	S	*	6/2017	Zimmer	D8/316
D799,854	S	*	10/2017	Andrew	D6/549

* cited by examiner

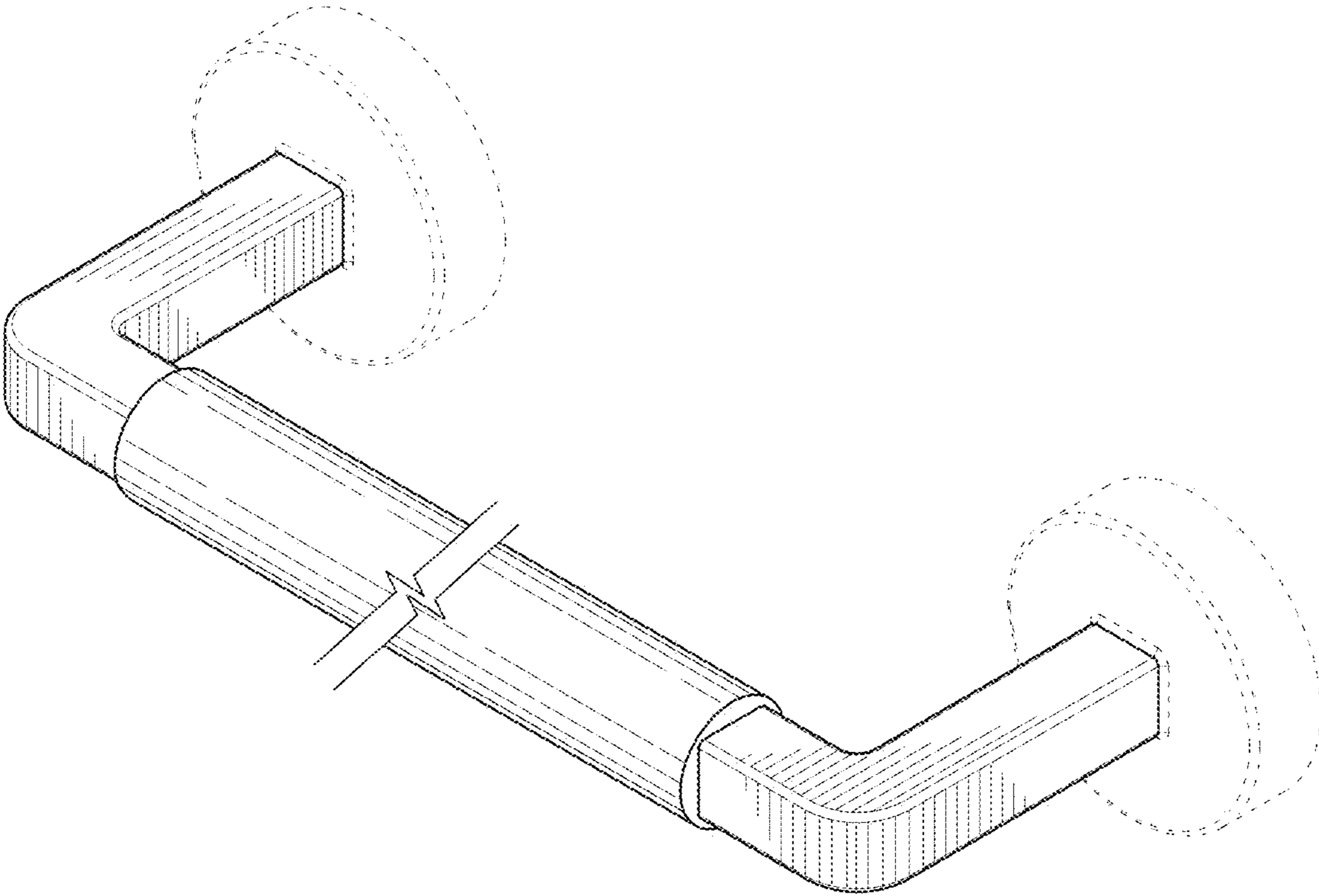


FIG.1

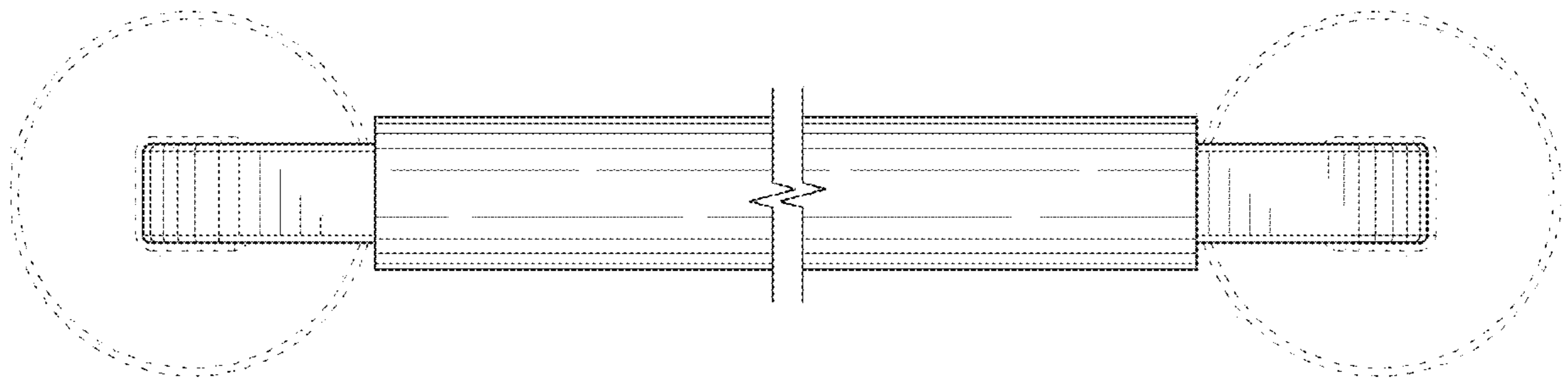


FIG. 2

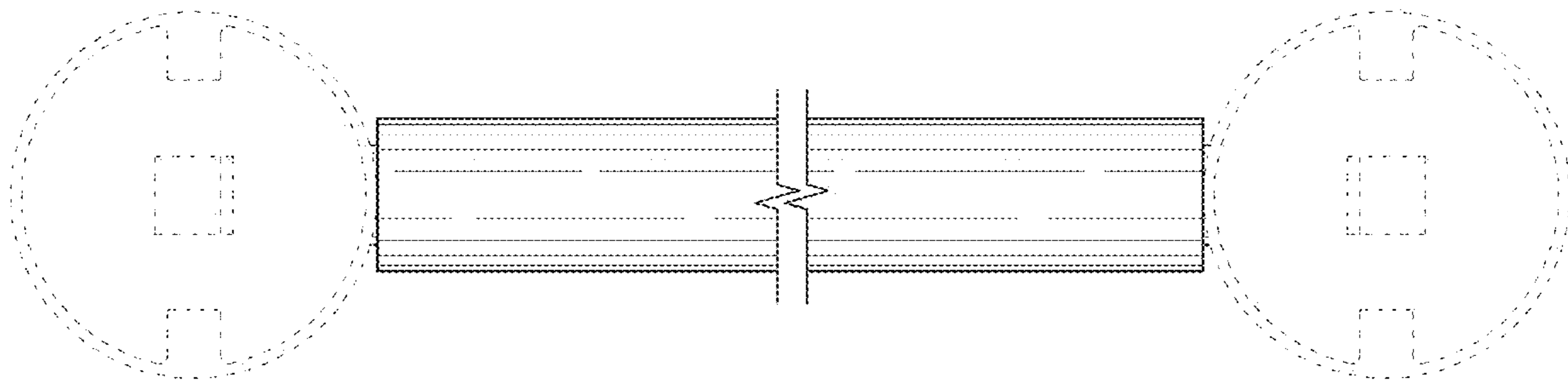


FIG.3

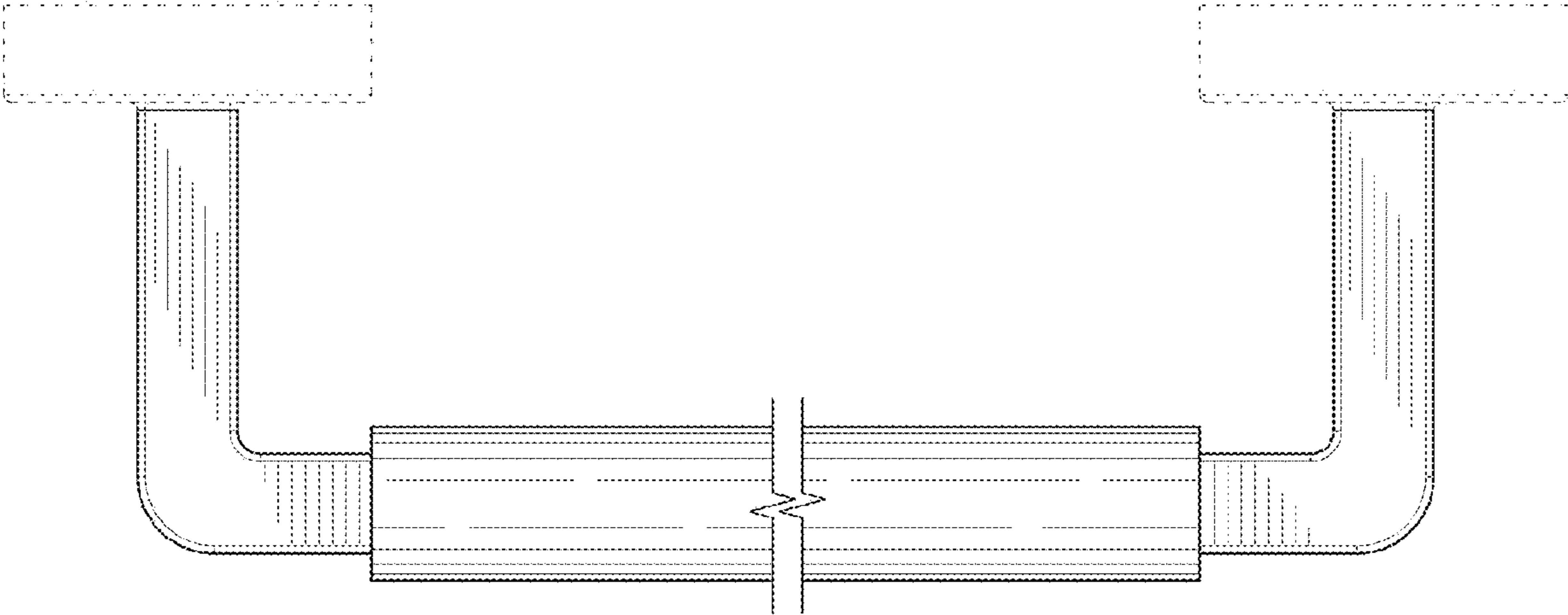


FIG.4

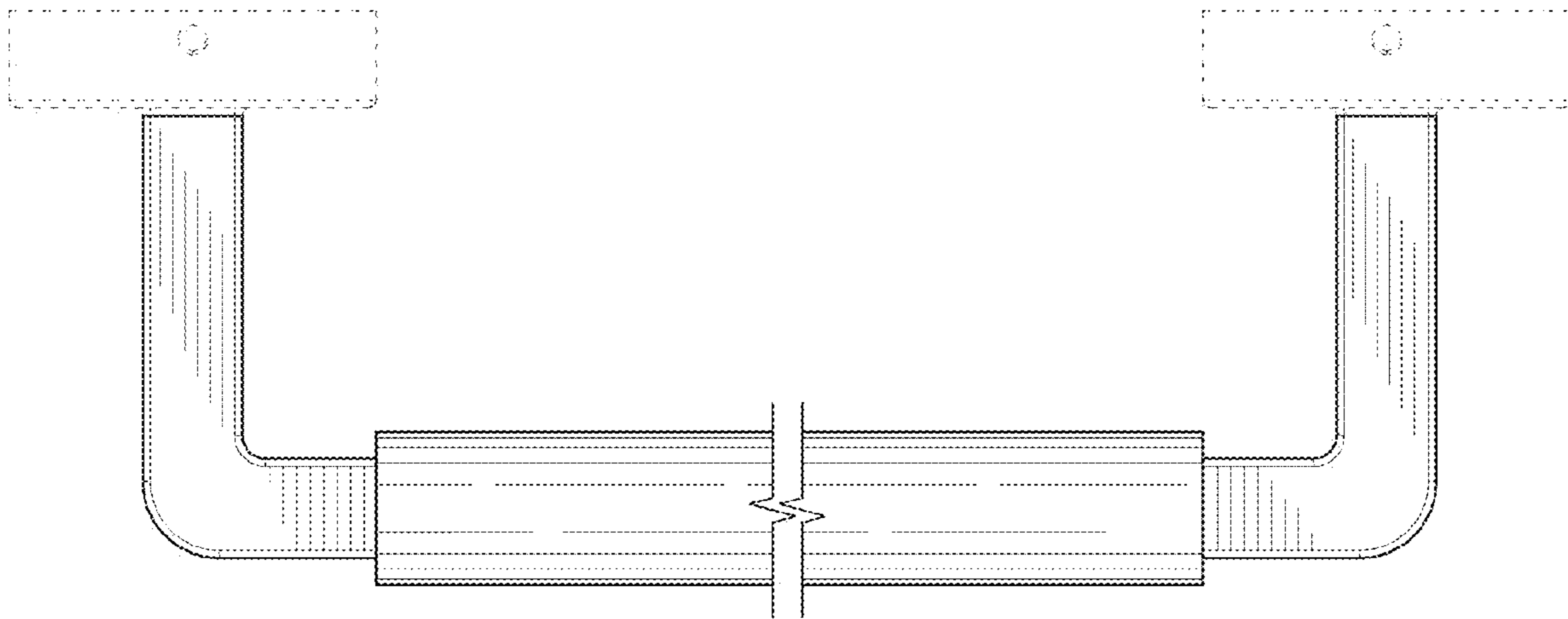


FIG.5

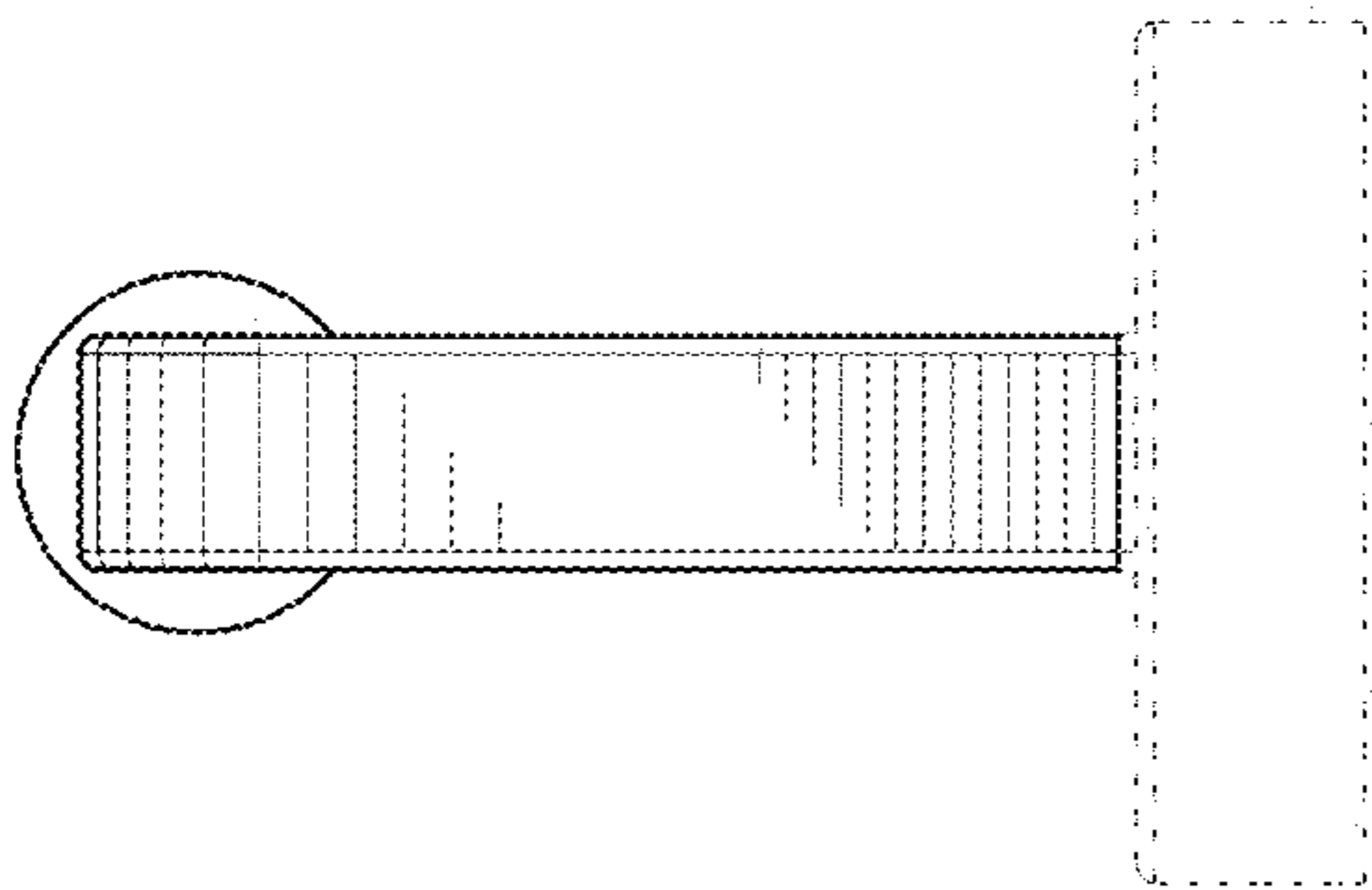


FIG. 6

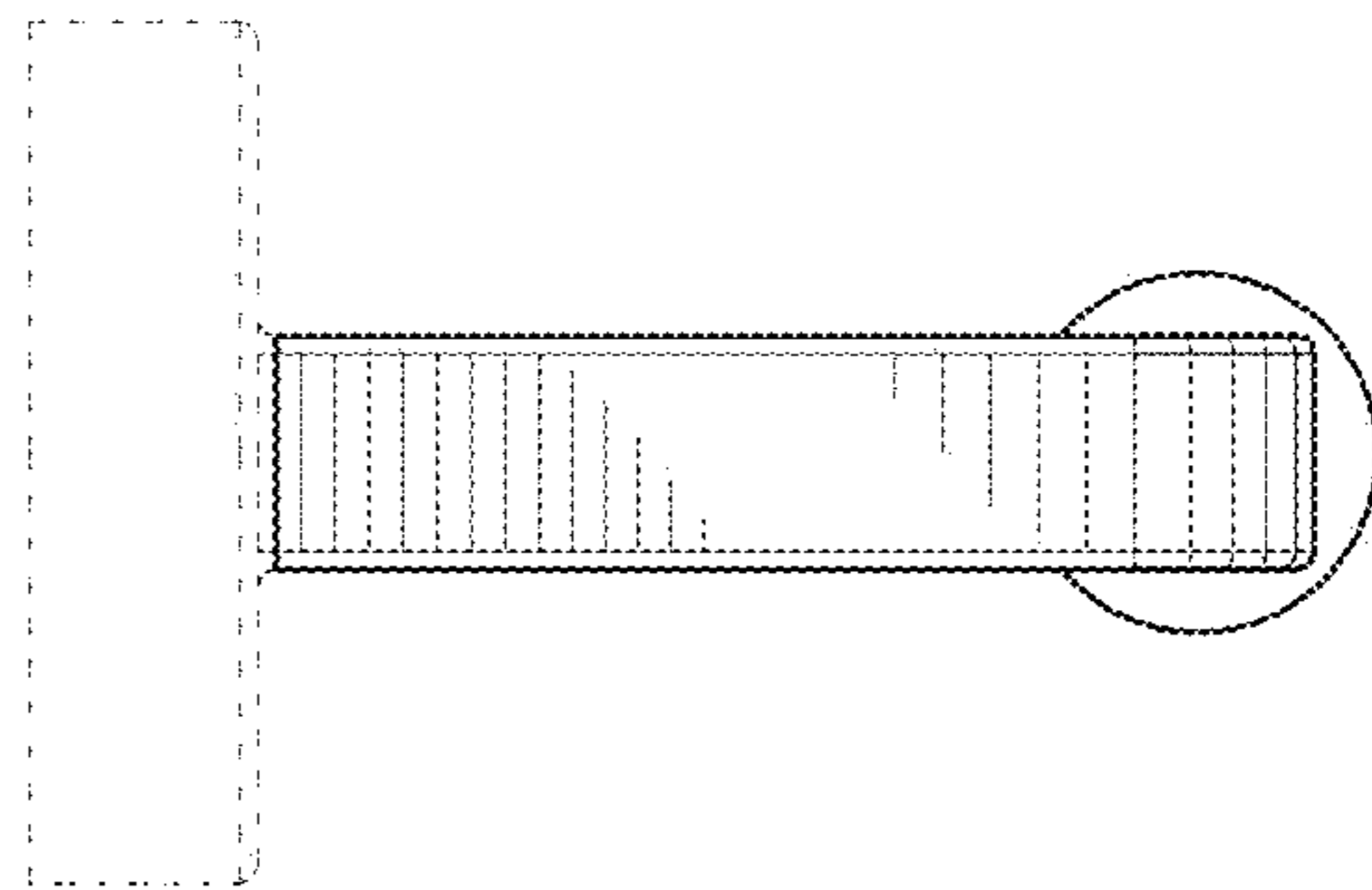


FIG. 7

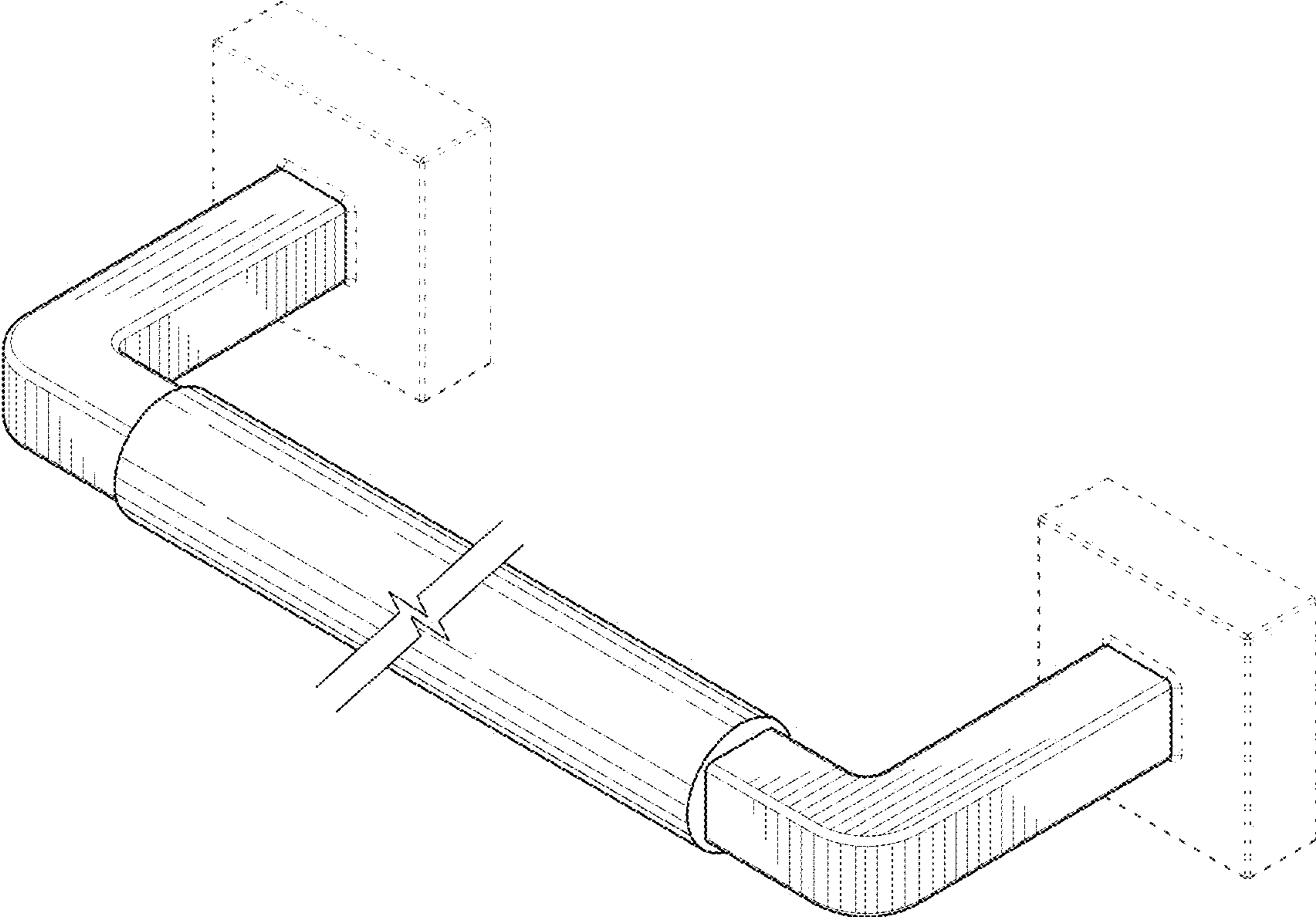


FIG.8

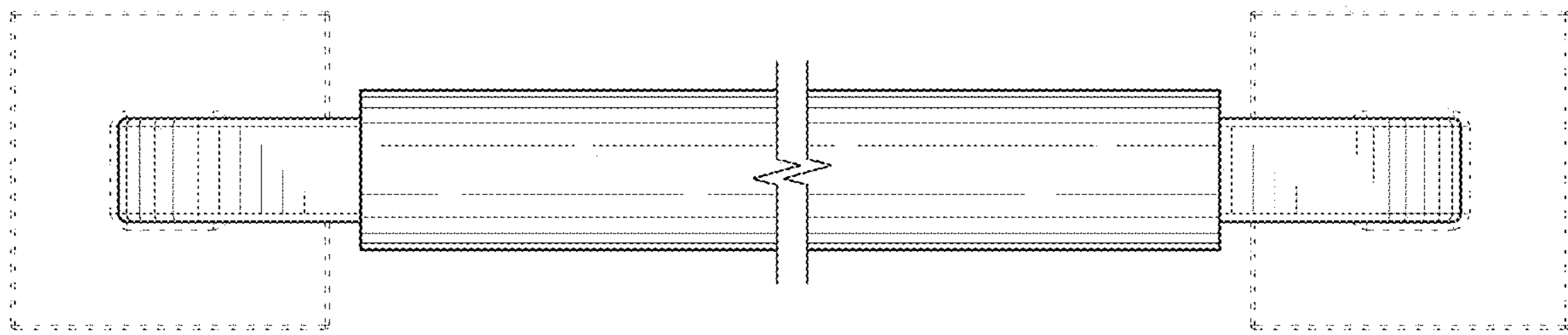


FIG.9

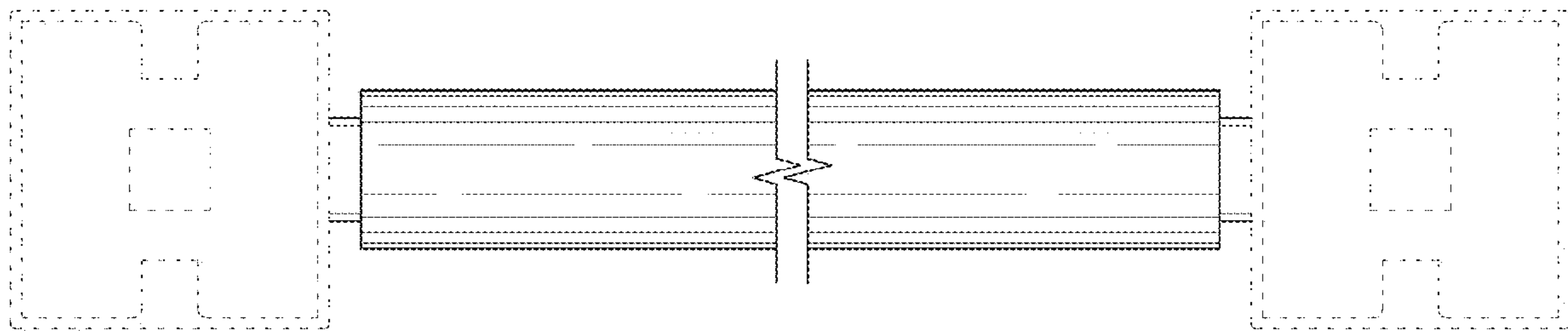


FIG.10

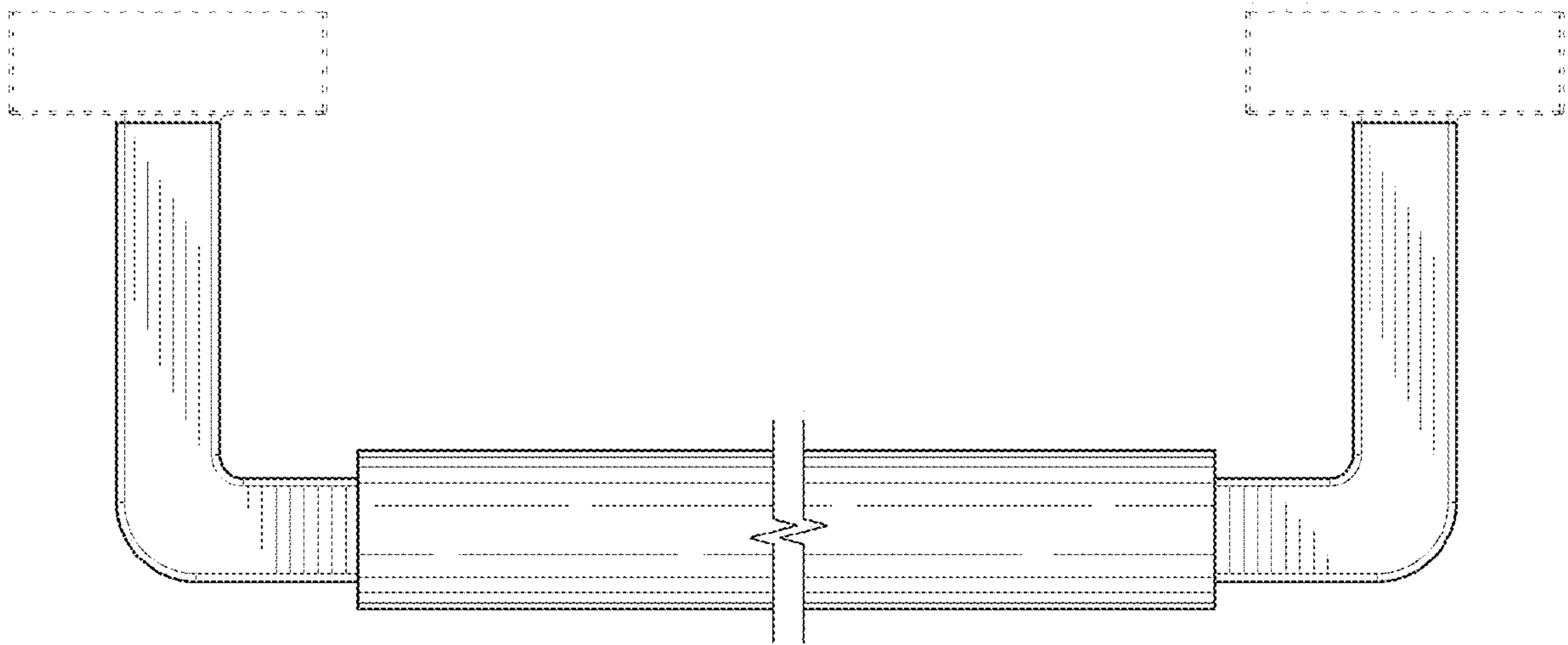


FIG.11

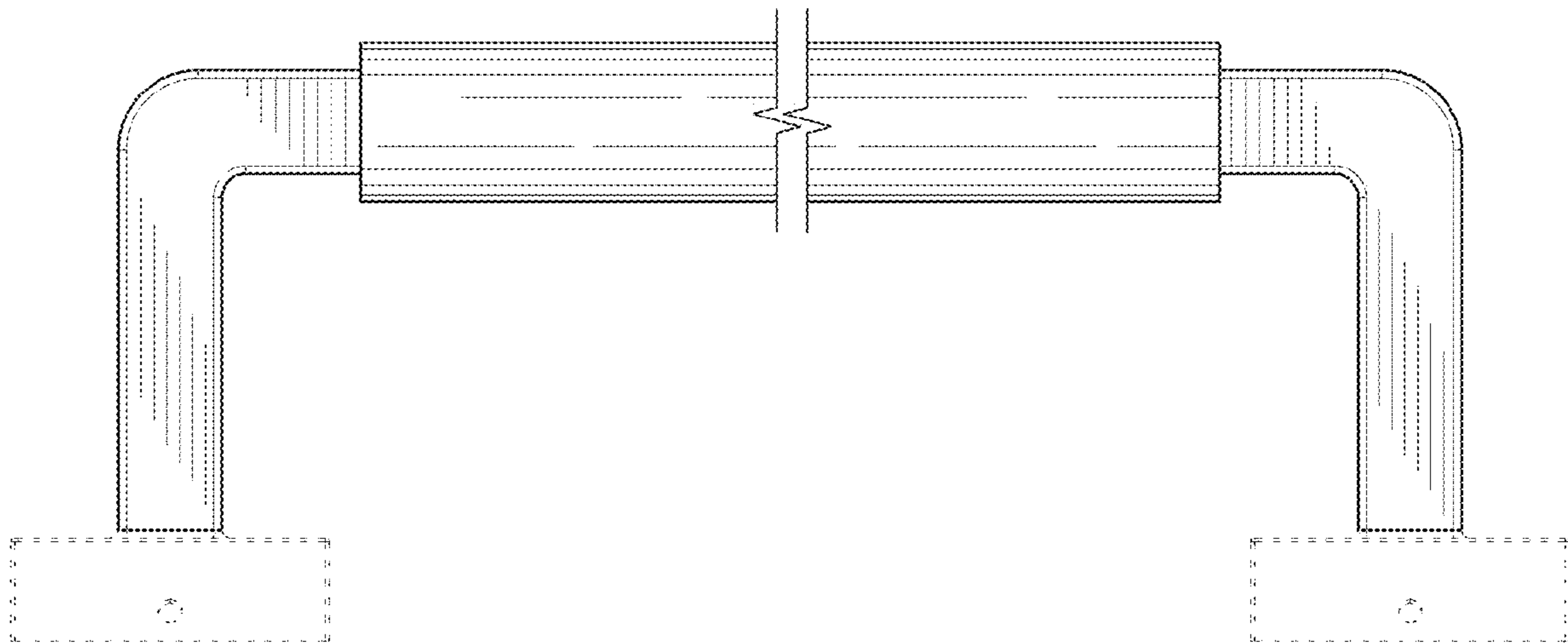


FIG.12

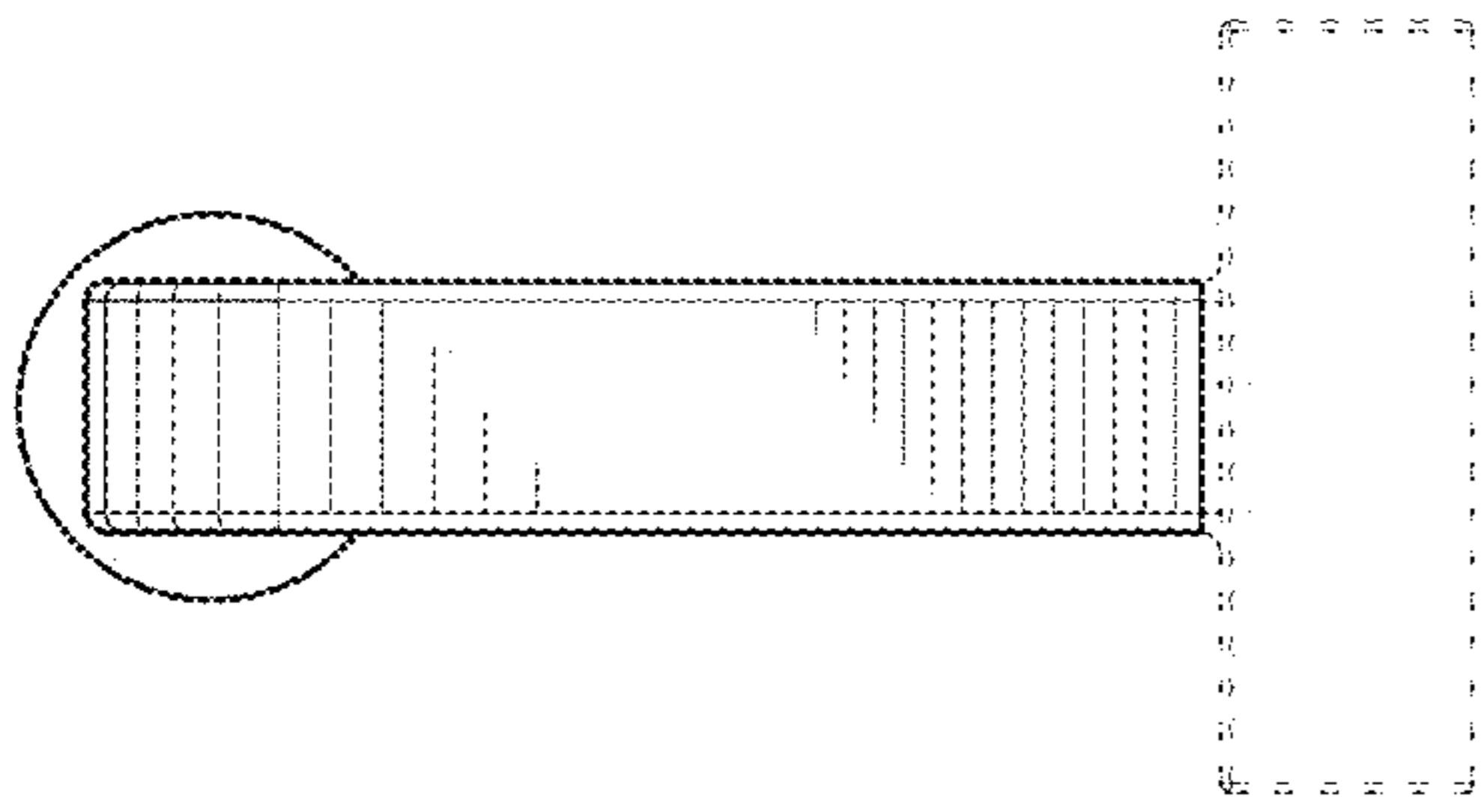


FIG. 13

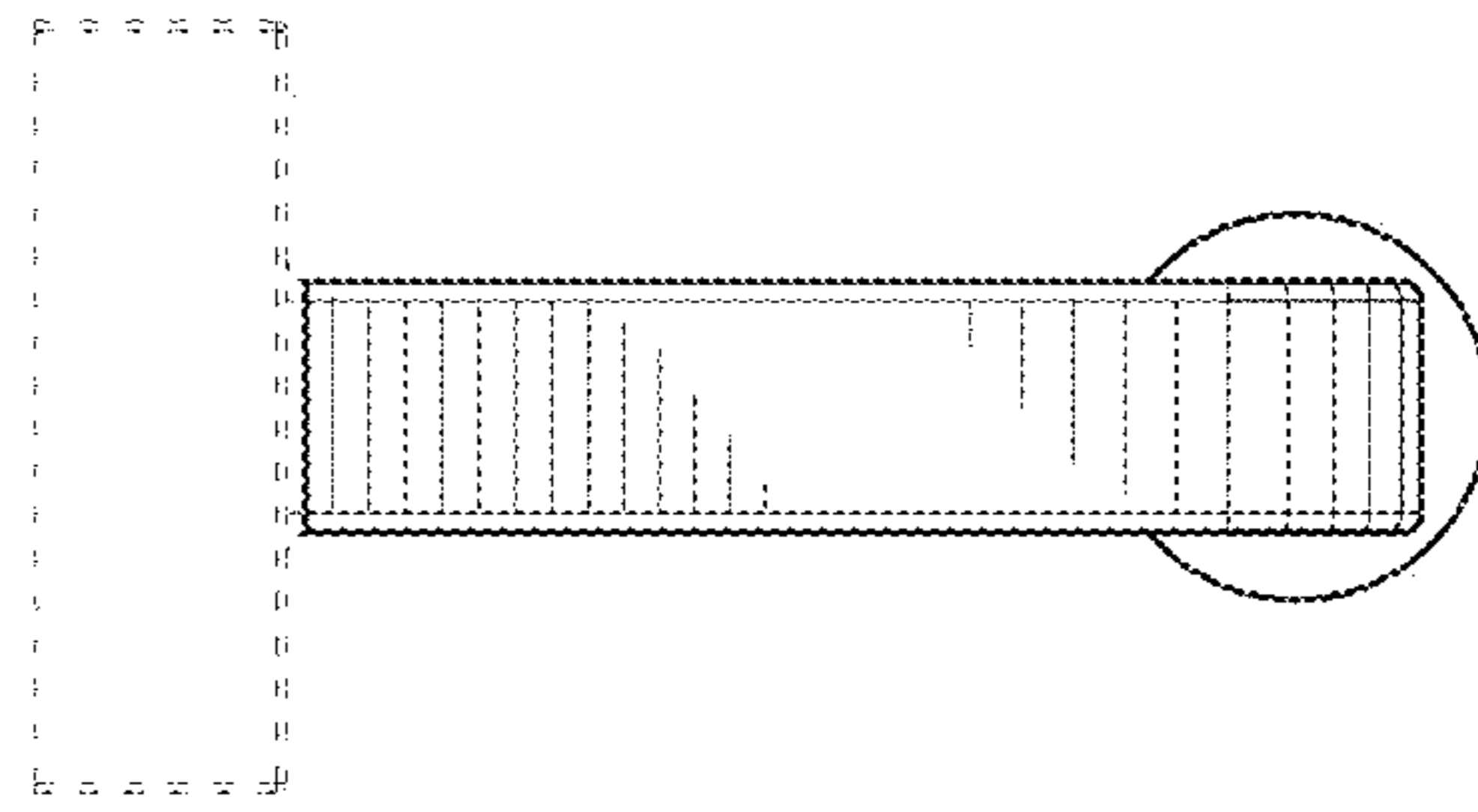


FIG. 14