



US00D899808S

(12) **United States Design Patent** (10) **Patent No.:** **US D899,808 S**  
**Sisto** (45) **Date of Patent:** **\*\* Oct. 27, 2020**

(54) **BATHROOM ACCESSORY**  
(71) Applicant: **Salvatore Sisto**, Bradley Beach, NJ (US)  
(72) Inventor: **Salvatore Sisto**, Bradley Beach, NJ (US)  
(\*\*) Term: **15 Years**  
(21) Appl. No.: **29/682,773**  
(22) Filed: **Mar. 7, 2019**  
(51) **LOC (12) Cl.** ..... **23-02**  
(52) **U.S. Cl.**  
USPC ..... **D6/523**  
(58) **Field of Classification Search**  
USPC ..... D6/523, 546, 518, 519, 524, 547-550;  
D8/300, 315, 370; 108/28, 29; 211/13.1,  
211/16, 85.5, 86.01, 87.01, 88.04, 100,  
211/105.1, 105.2, 105.3, 106, 113, 123,  
211/181.1, 182, 183; 242/570, 590, 595,  
242/598; 248/49, 175, 176.1, 200, 201,  
248/205.1, 251, 302, 309.1, 315;  
222/173, 180, 281-282  
CPC .. A47K 10/40; A47K 10/38; A47K 2010/324;  
A47K 10/12; A47K 10/22; A47K  
2010/3233; A47K 2010/3863  
See application file for complete search history.

D528,335 S 9/2006 Fuchs  
D543,710 S 6/2007 Krumpe et al.  
D554,403 S 11/2007 Xiao  
D557,049 S 12/2007 Sedwick et al.  
D569,670 S 5/2008 Chen  
D577,938 S 10/2008 Krumpe  
D600,054 S \* 9/2009 Hanes ..... D6/523  
D600,055 S \* 9/2009 Hanes ..... D6/523  
D639,590 S 6/2011 Sakuma  
D790,874 S \* 7/2017 Eads ..... D6/523  
(Continued)

**OTHER PUBLICATIONS**

Kohler, Composed Pivoting Toilet Tissue Holder, K-73147, Date Retrieved. Mar. 7, 2019, pp. 1-3: <https://www.us.kohler.com/us/composed-pivoting-toilet-tissue-holder/productDetail/tissue-holders/1252778.htm?skuld=1252766&brandId=1266166>.  
(Continued)

*Primary Examiner* — Wan Laymon  
*Assistant Examiner* — Mark Booker  
(74) *Attorney, Agent, or Firm* — Belles Katz LLC

(57) **CLAIM**

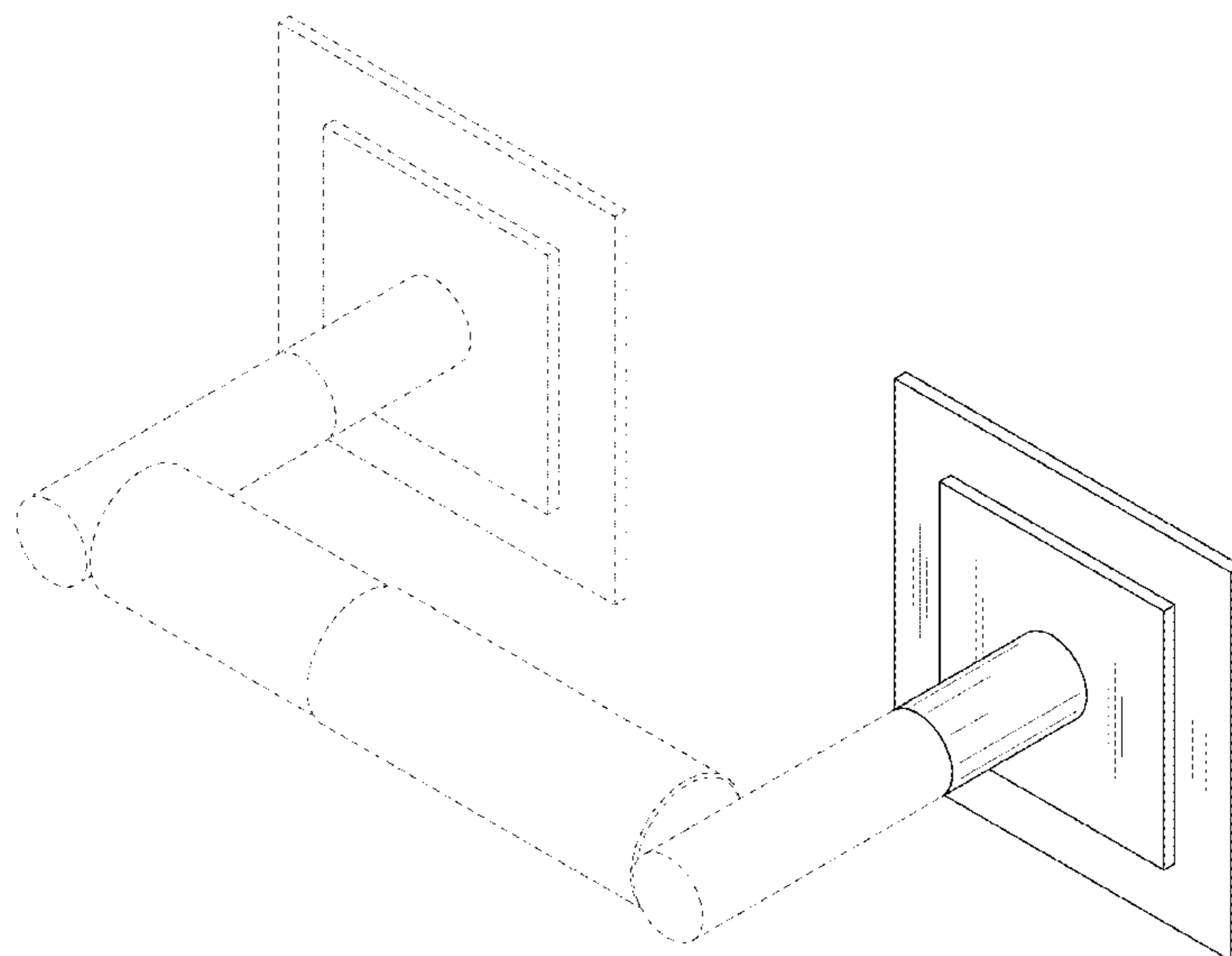
The ornamental design for a bathroom accessory, as shown and described.

**DESCRIPTION**

FIG. 1 is a front perspective view of a bathroom accessory according to the new design;  
FIG. 2 is a rear perspective view thereof;  
FIG. 3 is a front view thereof;  
FIG. 4 is a rear view thereof;  
FIG. 5 is a left side view thereof;  
FIG. 6 is a right side view thereof;  
FIG. 7 is a top view thereof; and,  
FIG. 8 is a bottom view thereof.  
The broken lines in the drawings illustrate portions of the bathroom accessory that form no part of the claimed design.

**1 Claim, 8 Drawing Sheets**

(56) **References Cited**  
U.S. PATENT DOCUMENTS  
D329,559 S 9/1992 Paul  
D390,397 S 2/1998 Chen  
D450,566 S 11/2001 Gottwald  
D452,400 S 12/2001 Chen  
D481,569 S 11/2003 Cummings  
D484,722 S 1/2004 Goodman  
D517,360 S 3/2006 Chen  
D518,323 S 4/2006 Qu et al.  
D518,324 S 4/2006 Qu et al.  
D518,987 S 4/2006 Lau et al.



(56)

**References Cited**

U.S. PATENT DOCUMENTS

D836,944 S \* 1/2019 Rutgers ..... D6/549  
D862,113 S \* 10/2019 Downey ..... D6/546

OTHER PUBLICATIONS

Kohler, Composed 18-Inch Towel Bar, K-73141, Date Retrieved. Mar. 7, 2019 pp. 1-3: <https://www.us.kohler.com/us/composed-18-in-towel-bar/productDetail/towel-bars/1252772.htm?skuId=1252760&brandId=1266166>.

Kohler, Composed Hotelier, K-73157, Date Retrieved. Mar. 7, 2019, pp. 1-3: <https://www.us.kohler.com/us/us/composed-hotelier/productDetail/towel-bars/1252782.htm?skuId=1252770&brandId=1266166>.

Kohler, Composed 24-Inch Towel Bar, K-73142, Date Retrieved. Mar. 7, 2019, pp. 1-3: <https://www.us.kohler.com/us/composed-24-in-towel-bar/productDetail/towel-bars/1252773.htm?skuId=1252761&brandId=1266166>.

Kohler, Composed Vertical Toilet Tissue Holder, K-73148, Date Retrieved. Mar. 7, 2019, pp. 1-3: <https://www.us.kohler.com/us/composed-vertical-toilet-tissue-holder/productDetail/tissue-holders/1252779.htm?skuId=1252767&brandId=1266166>.

Kohler, Composed 30-Inch Towel Bar, K-73143, Date Retrieved. Mar. 7, 2019, pp. 1-3: <https://www.us.kohler.com/us/composed-30-in-towel-bar/productDetail/towel-bars/1252774.htm?skuId=1252762&brandId=1266166>.

Kohler, Composed 24-Inch DoubleTowel Bar, K-73144, Date Retrieved. Mar. 7, 2019, pp. 1-3: <https://www.us.kohler.com/us/composed-24-in-double-towel-bar/productDetail/towel-bars/1252775.htm?skuId=1252763&brandId=1266166>.

Kohler, Composed Double Robe Hook, K-73148, Date Retrieved. Mar. 7, 2019, pp. 1-3: <https://www.us.kohler.com/us/composed-double-robe-hook/productDetail/robe-hooks/1252777.htm?skuId=1252765&brandId=1266166>.

\* cited by examiner

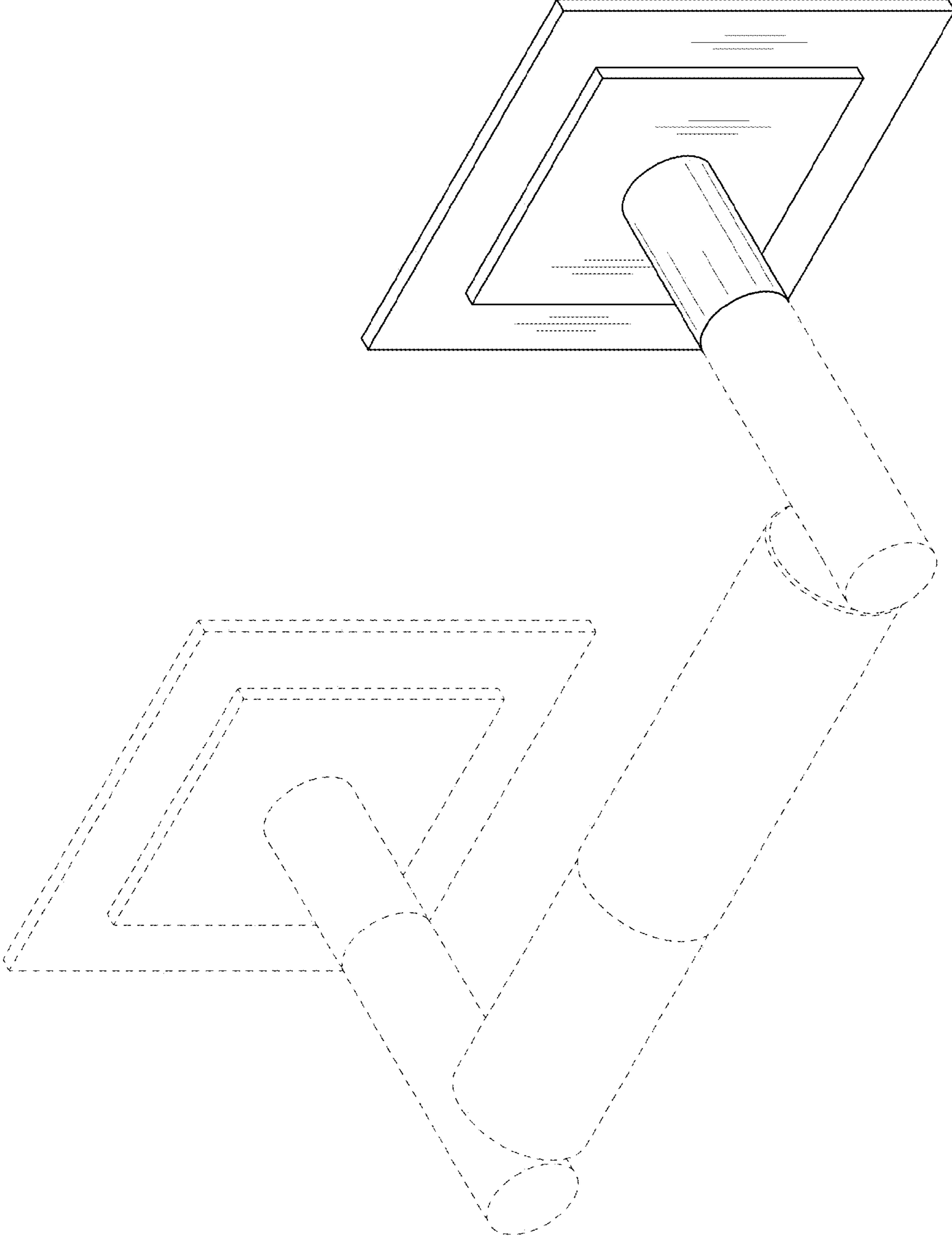


FIG. 1

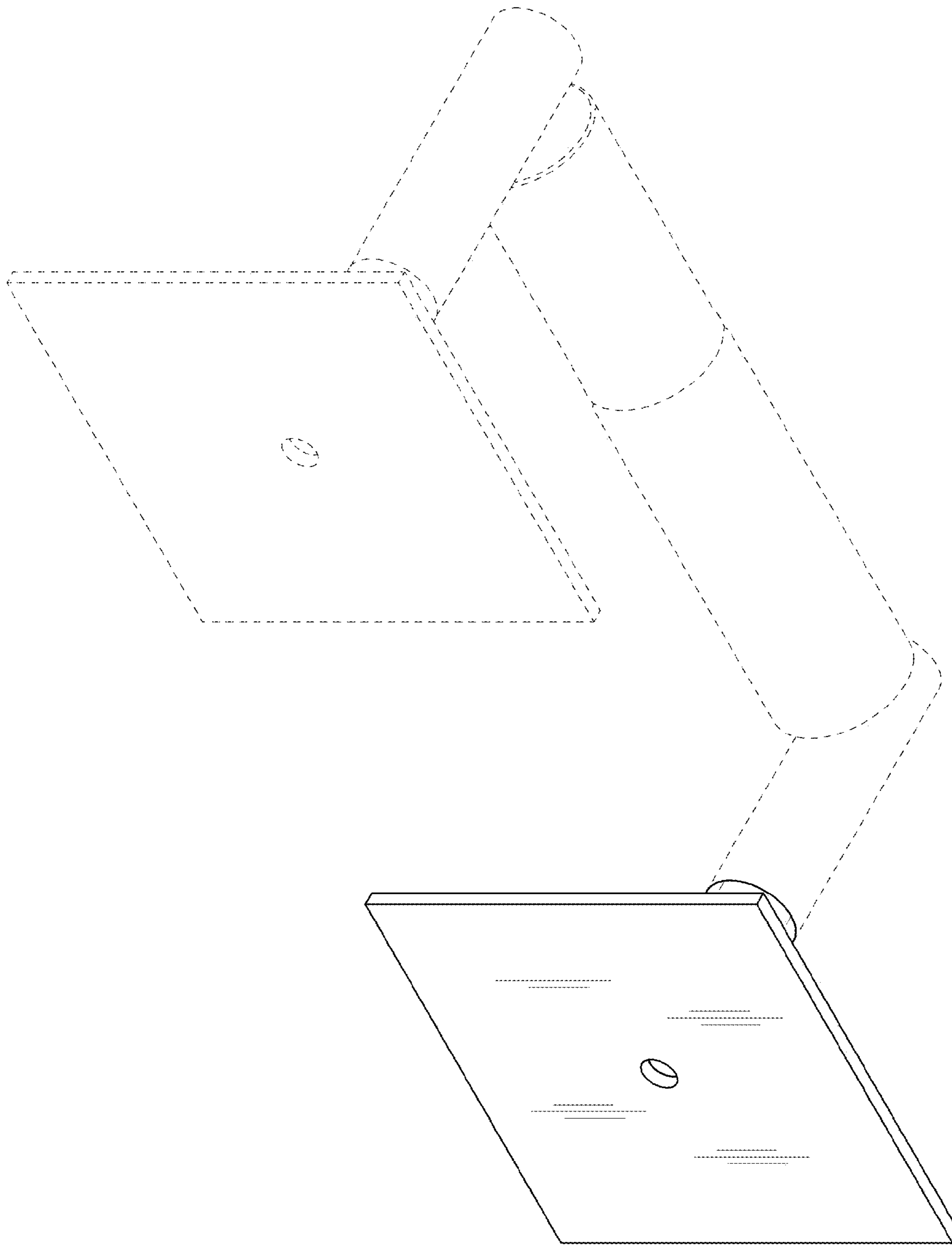


FIG. 2

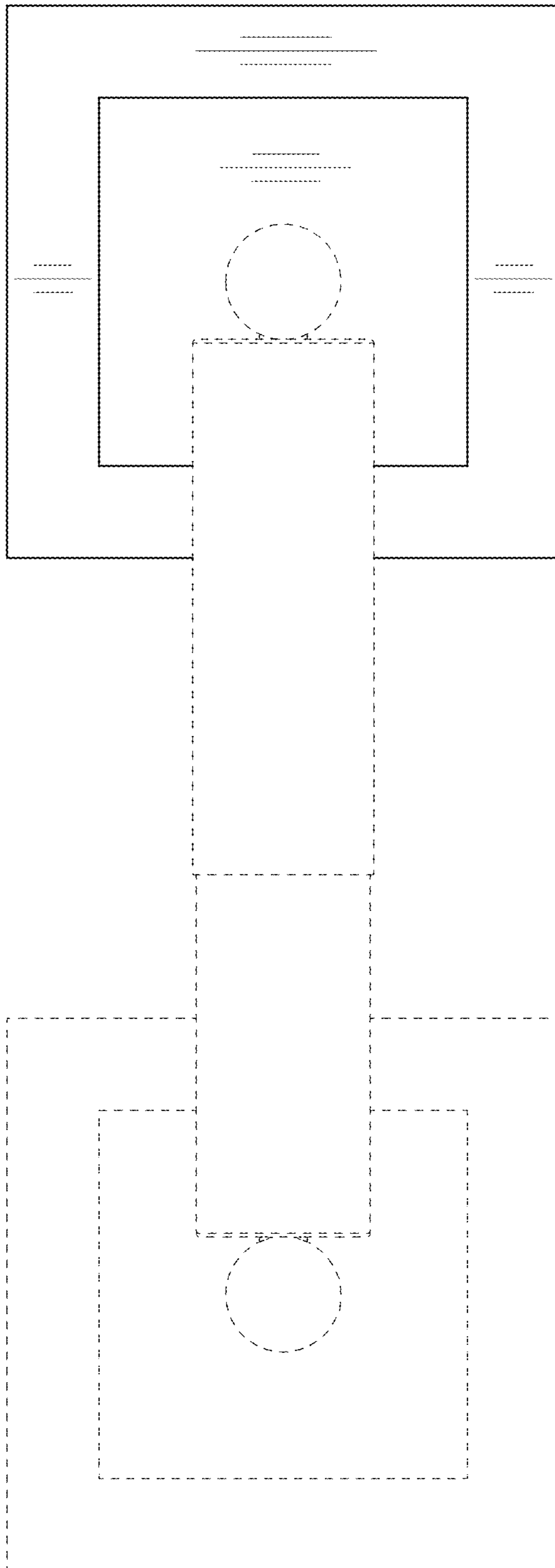


FIG. 3

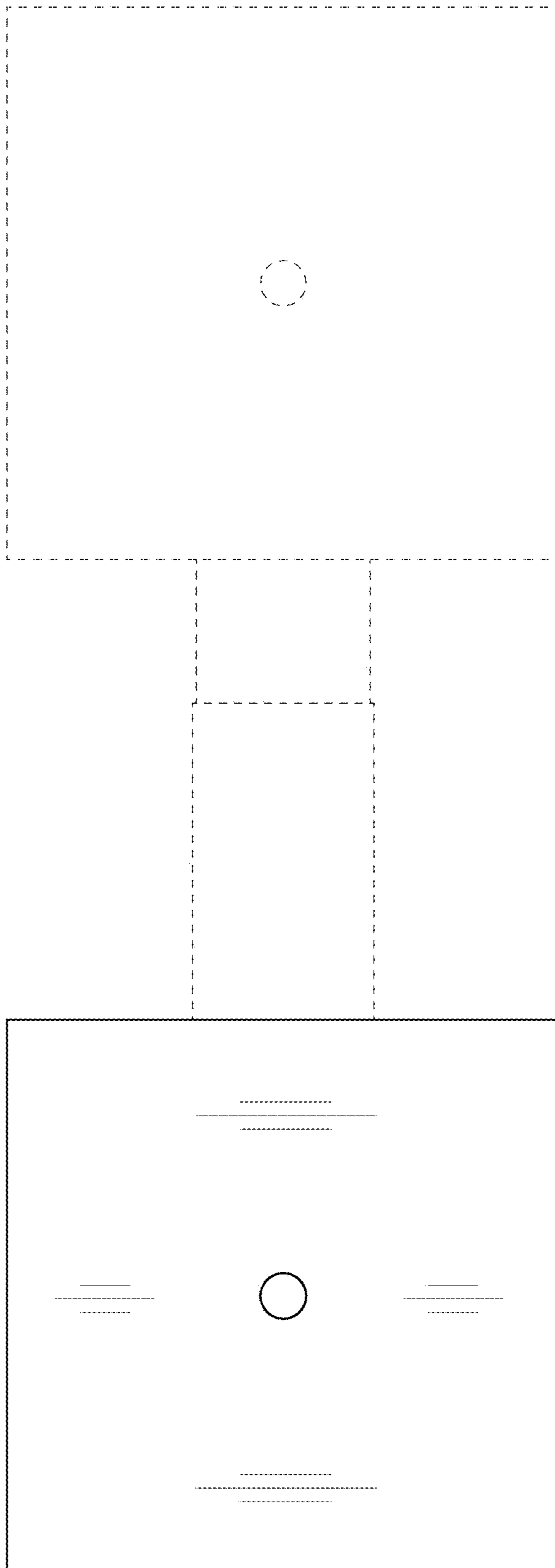


FIG. 4

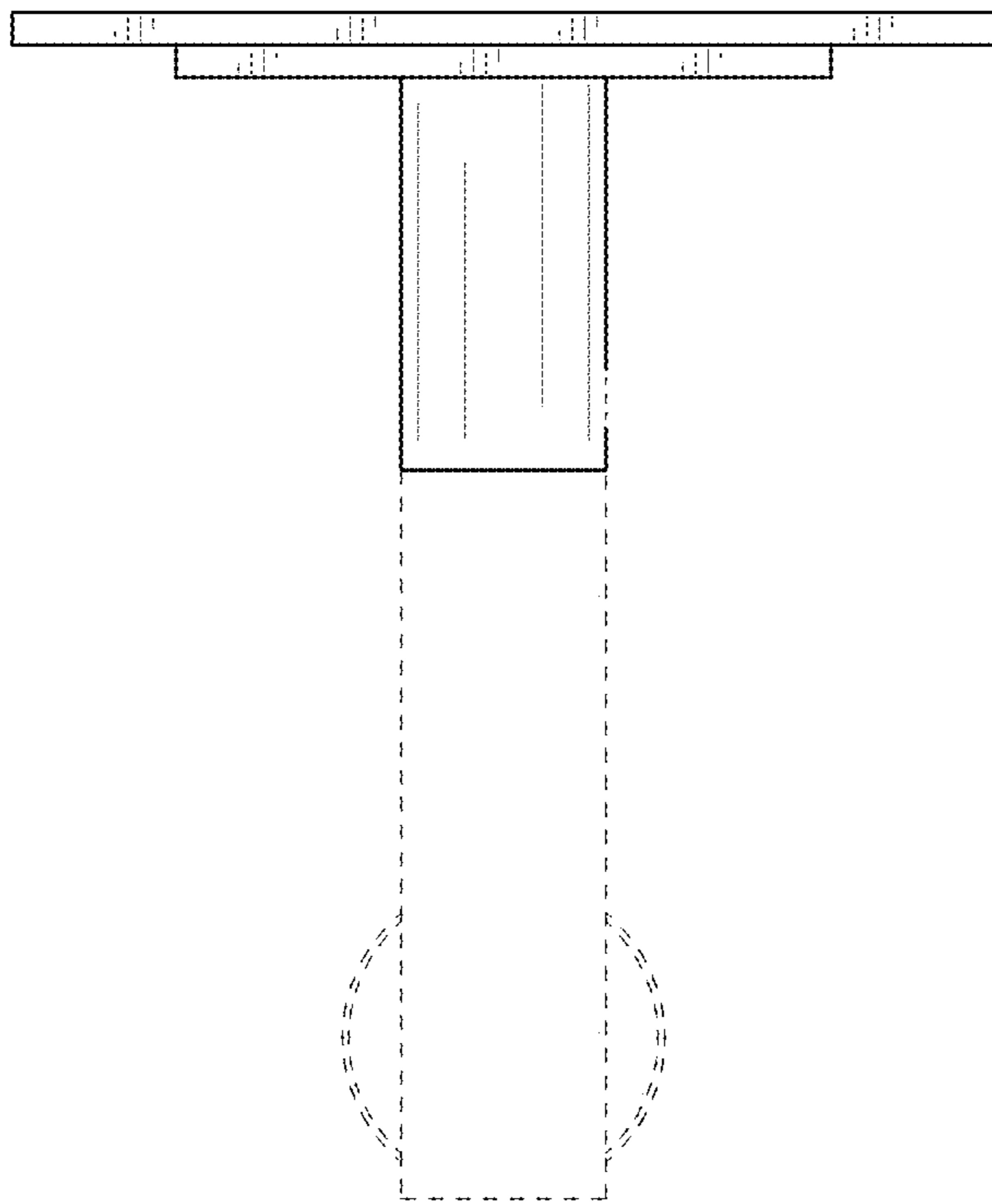


FIG. 5

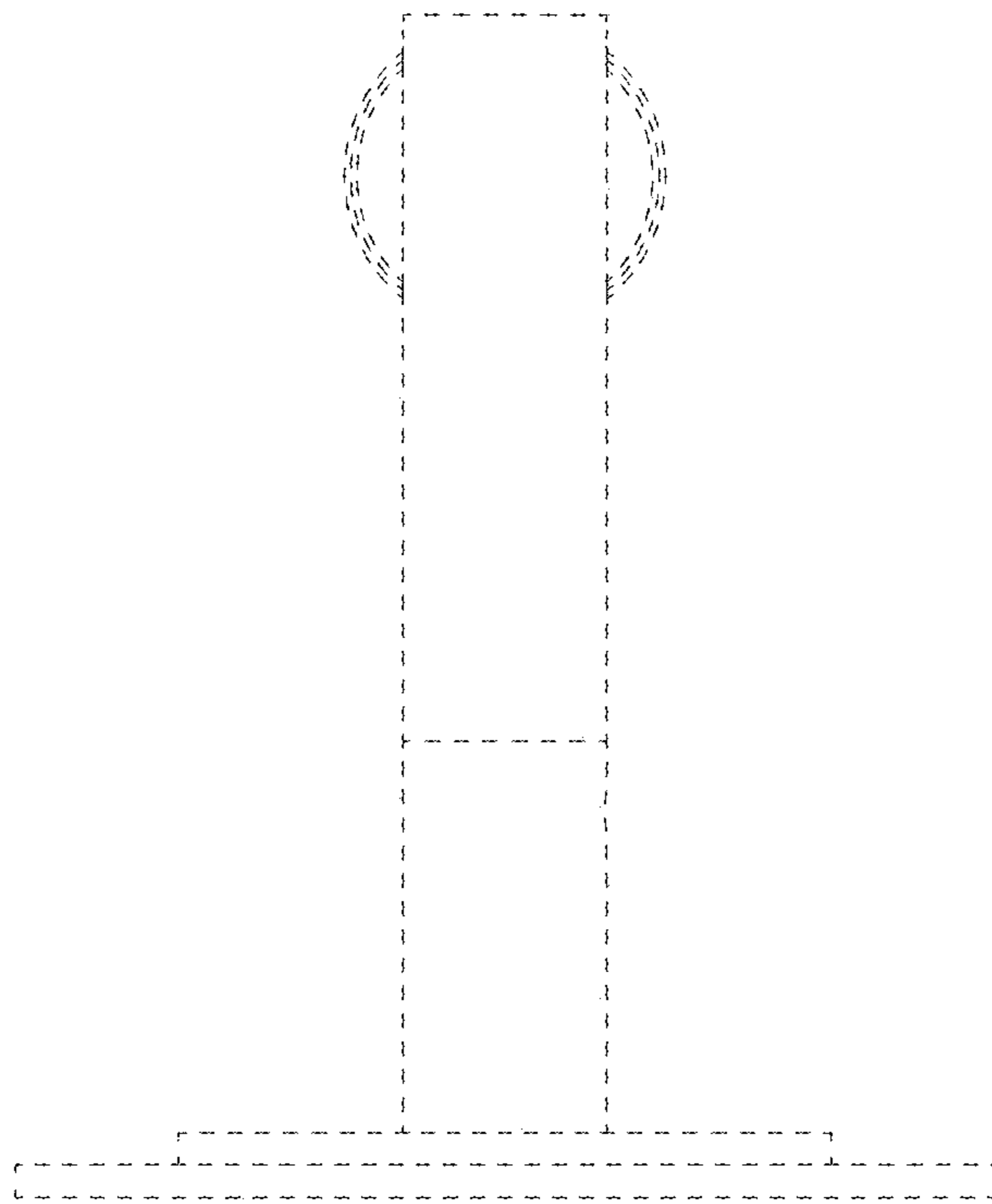


FIG. 6



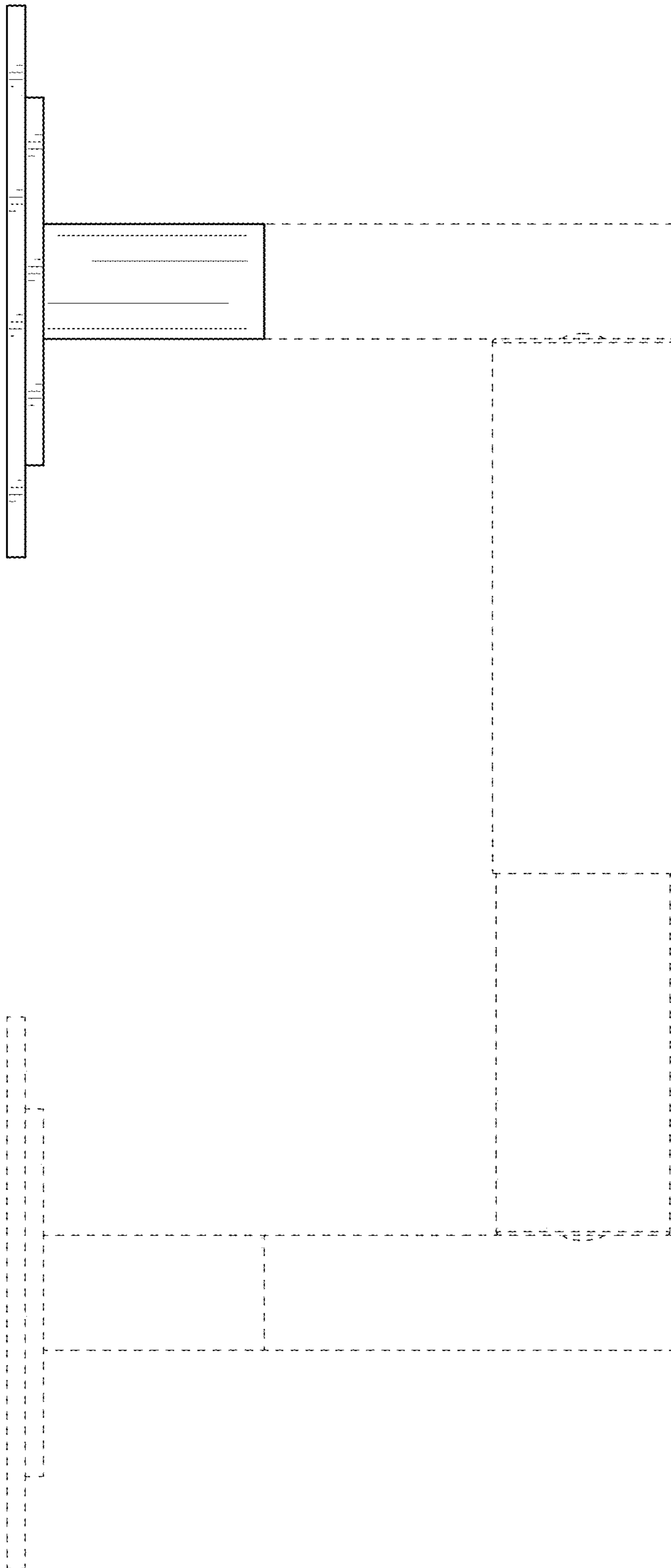


FIG. 7

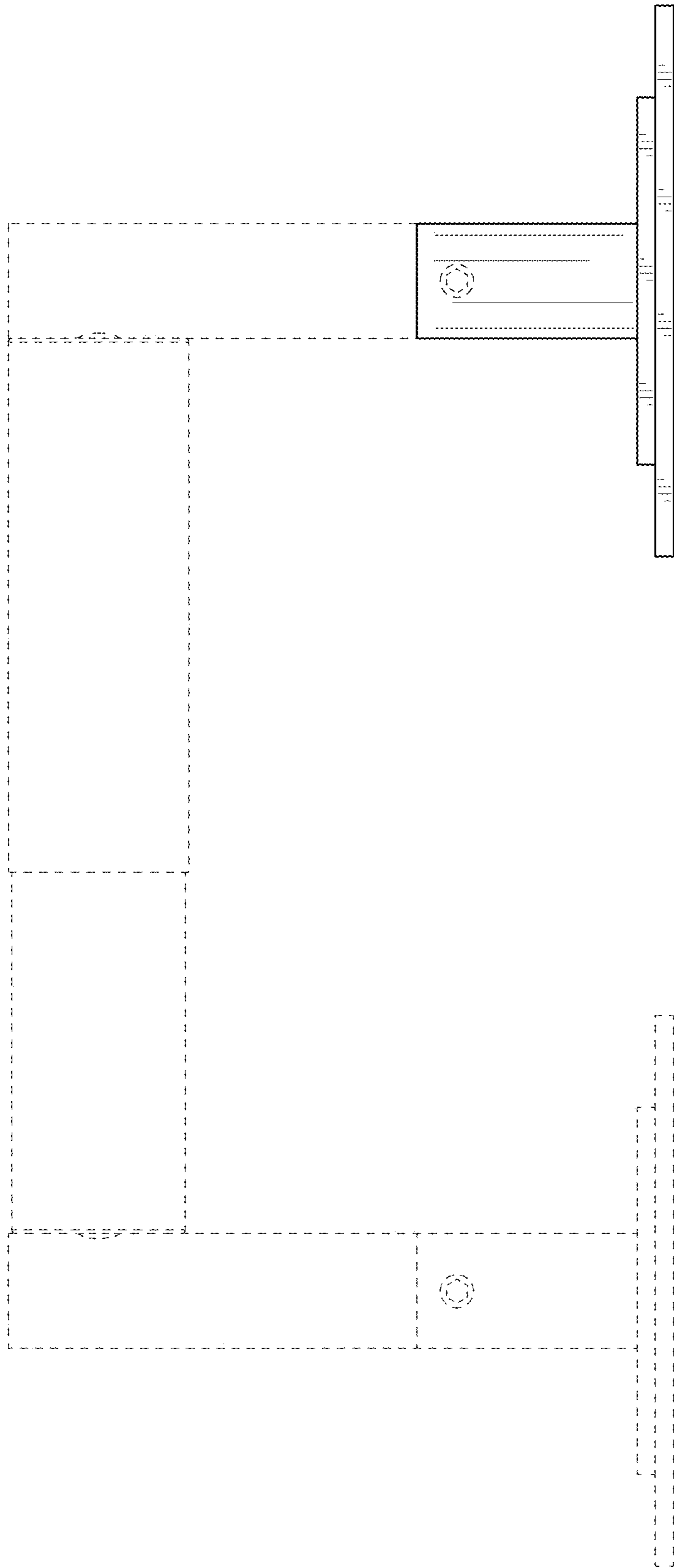


FIG. 8