



US00D899807S

(12) **United States Design Patent** (10) **Patent No.:** **US D899,807 S**
Léveillé et al. (45) **Date of Patent:** **** Oct. 27, 2020**

(54) **DISPENSER**

(71) Applicant: **CASCADES CANADA ULC**,
Montreal, Quebec (CA)

(72) Inventors: **Manuel Léveillé**, Montreal (CA);
Olivier Patry, Montreal (CA); **Nathalie
Comeau**, Candiac (CA)

(73) Assignee: **CASCADES CANADA ULC**,
Montreal (CA)

(**) Term: **15 Years**

(21) Appl. No.: **29/647,770**

(22) Filed: **May 15, 2018**

(30) **Foreign Application Priority Data**

Feb. 23, 2018 (CA) 179936

(51) **LOC (12) Cl.** **20-02**

(52) **U.S. Cl.**
USPC **D6/520**

(58) **Field of Classification Search**
USPC D6/523, 515, 518-522; D3/201;
206/389, 391, 407, 409; 211/16, 85.5,
211/59.2; 312/34.1, 34.8; 221/92, 97,
221/185, 282, 284; 242/59, 159, 160.2,
242/550, 560, 590, 588, 589, 589.3, 594,
242/598.65, 564.2, 563
CPC A47K 10/3836; A47K 2010/3253; A47K
10/38; Y10T 225/282; Y10T 225/237
See application file for complete search history.

(56) **References Cited**

U.S. PATENT DOCUMENTS

3,747,802 A 7/1973 Uroshevich
4,491,242 A 1/1985 Trinidad
5,076,466 A 12/1991 Petterson et al.
5,090,592 A 2/1992 Petterson et al.

5,100,020 A 3/1992 Petterson et al.
5,102,007 A 4/1992 Petterson et al.
5,131,561 A 7/1992 Casperson et al.
D436,298 S 1/2001 Tramontina
D437,518 S * 2/2001 Andersson D6/518
(Continued)

FOREIGN PATENT DOCUMENTS

CA 2590761 A1 12/2007
WO WO-0008995 A1 2/2000
(Continued)

Primary Examiner — Wan Laymon
Assistant Examiner — Mark Booker
(74) *Attorney, Agent, or Firm* — Marshall, Gerstein &
Borun LLP

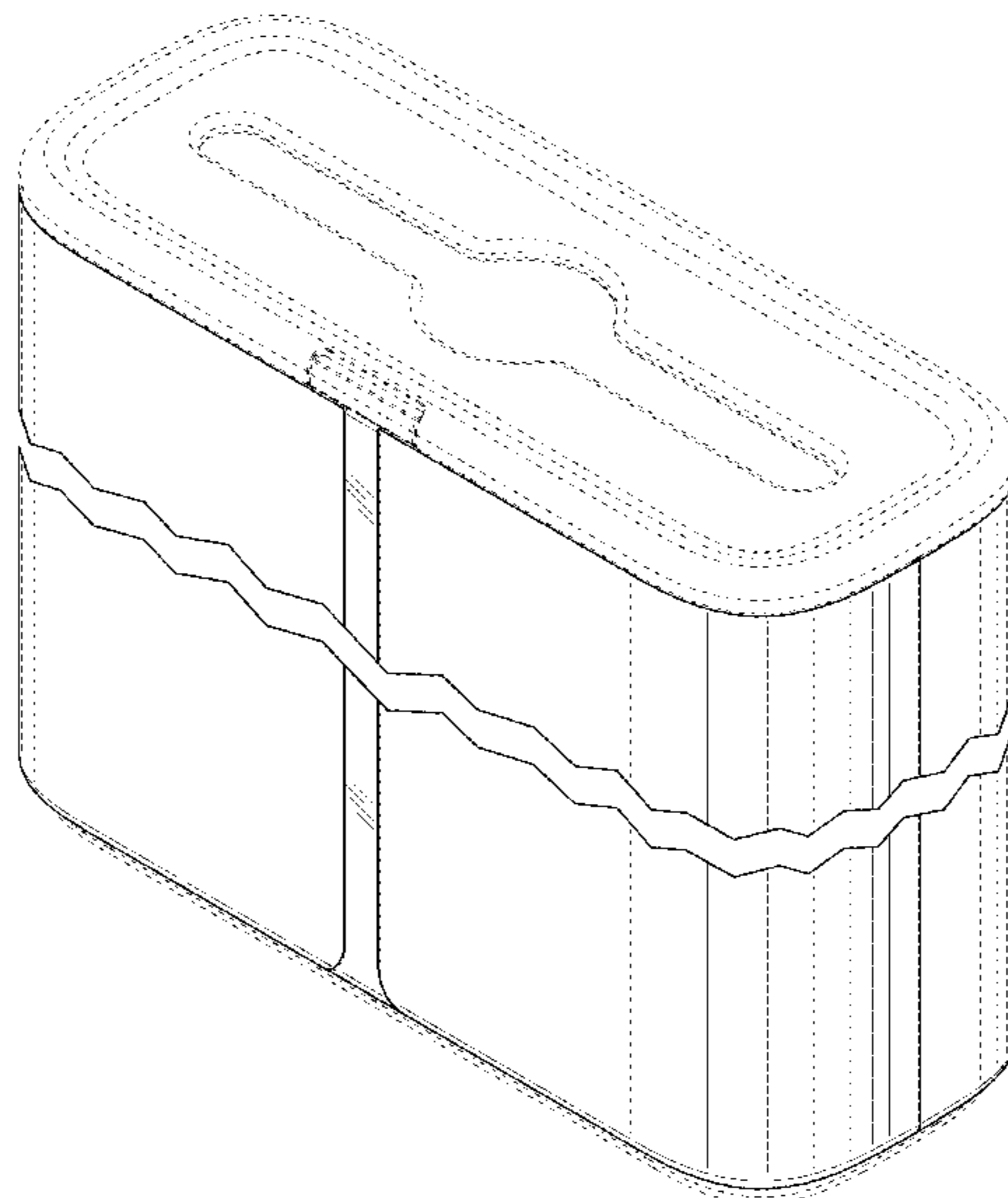
(57) **CLAIM**

The ornamental design for a dispenser, as shown and described.

DESCRIPTION

FIG. 1 is a perspective view of a dispenser;
FIG. 2 is a front elevation view of the dispenser shown in FIG. 1;
FIG. 3 is a rear elevation view of the dispenser shown in FIG. 1;
FIG. 4 is a top plan view of the dispenser shown in FIG. 1;
FIG. 5 is a bottom plan view of the dispenser shown in FIG. 1;
FIG. 6 is left-side elevation view of the dispenser shown in FIG. 1; and,
FIG. 7 is right-side elevation view of the dispenser shown in FIG. 1.
The broken lines shown in the figures represent portions of the dispenser that form no part of the claimed design. The broken away symbols in the drawings indicate that any portion of the article beyond what is shown forms no part of the claimed design.

1 Claim, 6 Drawing Sheets



(56)

References Cited

U.S. PATENT DOCUMENTS

D441,578 S * 5/2001 Andersson D6/518
 6,230,929 B1 5/2001 Phelps et al.
 D443,485 S 6/2001 Tramontina
 6,241,118 B1 6/2001 Tramontina
 D444,352 S 7/2001 Tramontina et al.
 D444,353 S 7/2001 Tramontina
 D444,354 S 7/2001 Tramontina
 D444,681 S 7/2001 Tramontina
 D445,002 S 7/2001 Tramontina et al.
 D445,651 S 7/2001 Tramontina
 D445,652 S 7/2001 Tramontina
 D446,086 S 8/2001 Tramontina
 D449,496 S 10/2001 Tramontina
 6,302,350 B1 10/2001 Burrell et al.
 D451,349 S 12/2001 Tramontina et al.
 D451,728 S * 12/2001 Phelps D6/522
 D451,770 S 12/2001 Tramontina
 6,334,544 B1 1/2002 Christensen et al.
 6,354,462 B1 3/2002 Conran et al.
 D463,183 S 9/2002 Tramontina
 D463,184 S 9/2002 Tramontina et al.
 D475,226 S 6/2003 Wagner
 6,575,329 B2 6/2003 Clark
 6,585,129 B2 7/2003 Moody et al.
 6,588,626 B2 7/2003 Sauer et al.
 6,592,002 B2 7/2003 Clark et al.
 6,779,683 B2 8/2004 Taylor et al.
 6,817,483 B2 11/2004 Kohne et al.
 6,892,898 B1 5/2005 Boone et al.
 6,899,251 B2 5/2005 Christensen et al.
 D507,138 S 7/2005 Hochtritt et al.
 6,920,999 B2 7/2005 Taylor et al.
 6,988,635 B2 1/2006 Hochtritt et al.
 D524,084 S 7/2006 Wieser et al.
 D526,165 S 8/2006 Burns et al.
 D550,008 S 9/2007 Hager et al.
 D550,517 S 9/2007 Neveu et al.
 7,341,166 B2 3/2008 Reinsel et al.
 7,374,065 B2 5/2008 Taylor et al.
 D571,159 S 6/2008 Pommier et al.
 D576,824 S 9/2008 Eksrom
 D579,702 S 11/2008 McArdle
 7,543,719 B2 6/2009 Young et al.
 7,604,144 B2 10/2009 Kuehneman
 D604,997 S 12/2009 Kuehneman et al.
 D605,442 S 12/2009 Elhalwani
 7,648,044 B2 1/2010 Reinsel et al.
 7,661,553 B2 2/2010 Zeiron
 D621,188 S 8/2010 Brock et al.
 D623,452 S * 9/2010 McNeely D6/518
 D626,362 S 11/2010 Martin
 7,837,057 B2 11/2010 Zeiron
 D630,873 S 1/2011 Kuehneman et al.
 D634,953 S * 3/2011 Meyerhoffer D6/518

D647,742 S 11/2011 Pourian
 D647,743 S 11/2011 Pourian
 D648,187 S 11/2011 Kuehneman et al.
 8,152,021 B2 4/2012 Babikian
 D660,013 S 5/2012 Tardif et al.
 D667,640 S 9/2012 Bosse et al.
 D667,641 S 9/2012 Boerschinger et al.
 D667,660 S 9/2012 Adolf
 D668,059 S 10/2012 Boerschinger et al.
 D669,692 S 10/2012 Chen
 8,328,046 B2 12/2012 Hochtritt et al.
 D673,778 S 1/2013 Bosse et al.
 D674,223 S 1/2013 Green et al.
 D675,037 S 1/2013 Sinotte et al.
 D675,851 S 2/2013 Wilson
 D676,248 S 2/2013 Bosse et al.
 8,408,419 B2 4/2013 Rippl et al.
 D727,058 S 4/2015 Morand
 D754,453 S 4/2016 Mrvica
 D756,683 S 5/2016 Morand
 D773,834 S 12/2016 Croteau et al.
 D782,842 S 4/2017 Morand et al.
 D790,227 S 6/2017 Tambellini
 D791,498 S * 7/2017 Brickl D6/520
 D794,341 S 8/2017 Enderby
 D799,692 S 10/2017 Buning-Weddewer
 2004/0020936 A1 2/2004 Guillemette et al.
 2006/0086748 A1 4/2006 Burns et al.
 2006/0163268 A1 7/2006 Kuehneman et al.
 2006/0273101 A1 12/2006 Lewis et al.
 2009/0127276 A1 5/2009 Rippl et al.
 2010/0072219 A1 3/2010 Widlund
 2010/0114366 A1 5/2010 Case et al.
 2011/0031265 A1 2/2011 Saarvali et al.
 2011/0114660 A1 5/2011 Johansson
 2011/0174834 A1 7/2011 Case et al.
 2011/0259908 A1 10/2011 Case et al.
 2011/0315707 A1 12/2011 Kleinhuber
 2012/0097701 A1 4/2012 Benedetti
 2013/0062362 A1 3/2013 Decker et al.
 2013/0213992 A1 8/2013 Wichmann
 2013/0221019 A1 8/2013 Rozek
 2013/0228587 A1 9/2013 Formon

FOREIGN PATENT DOCUMENTS

WO WO-2005107548 A1 11/2005
 WO WO-2011/062532 A1 5/2011
 WO WO-2012078085 A1 6/2012
 WO WO-2013/007302 A2 1/2013
 WO WO-2013/064165 A2 5/2013
 WO WO-2013/091877 A1 6/2013
 WO WO-2013/113392 A1 8/2013
 WO WO-2013/113393 A1 8/2013
 WO WO-2013/113394 A1 8/2013

* cited by examiner

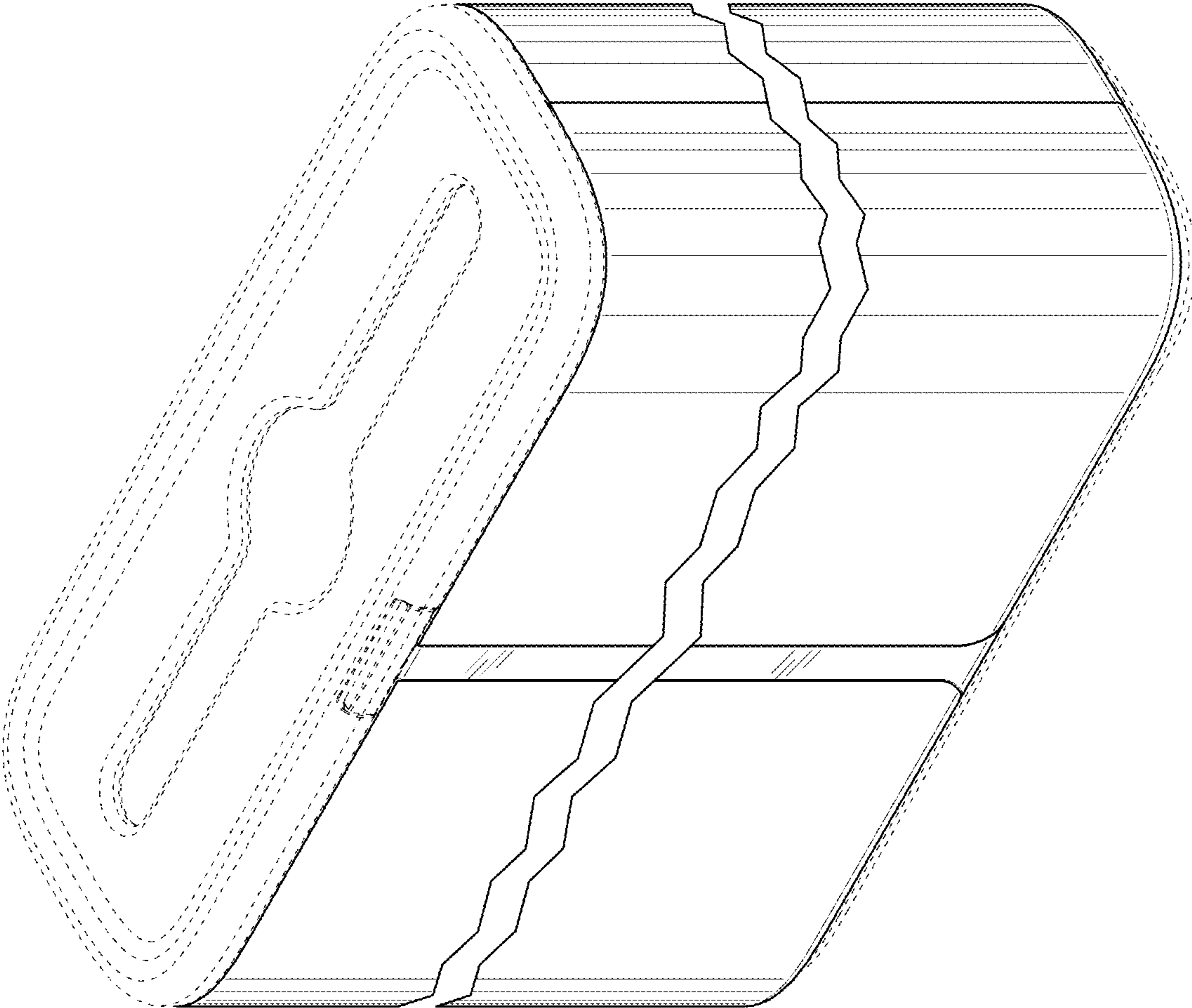


FIG. 1

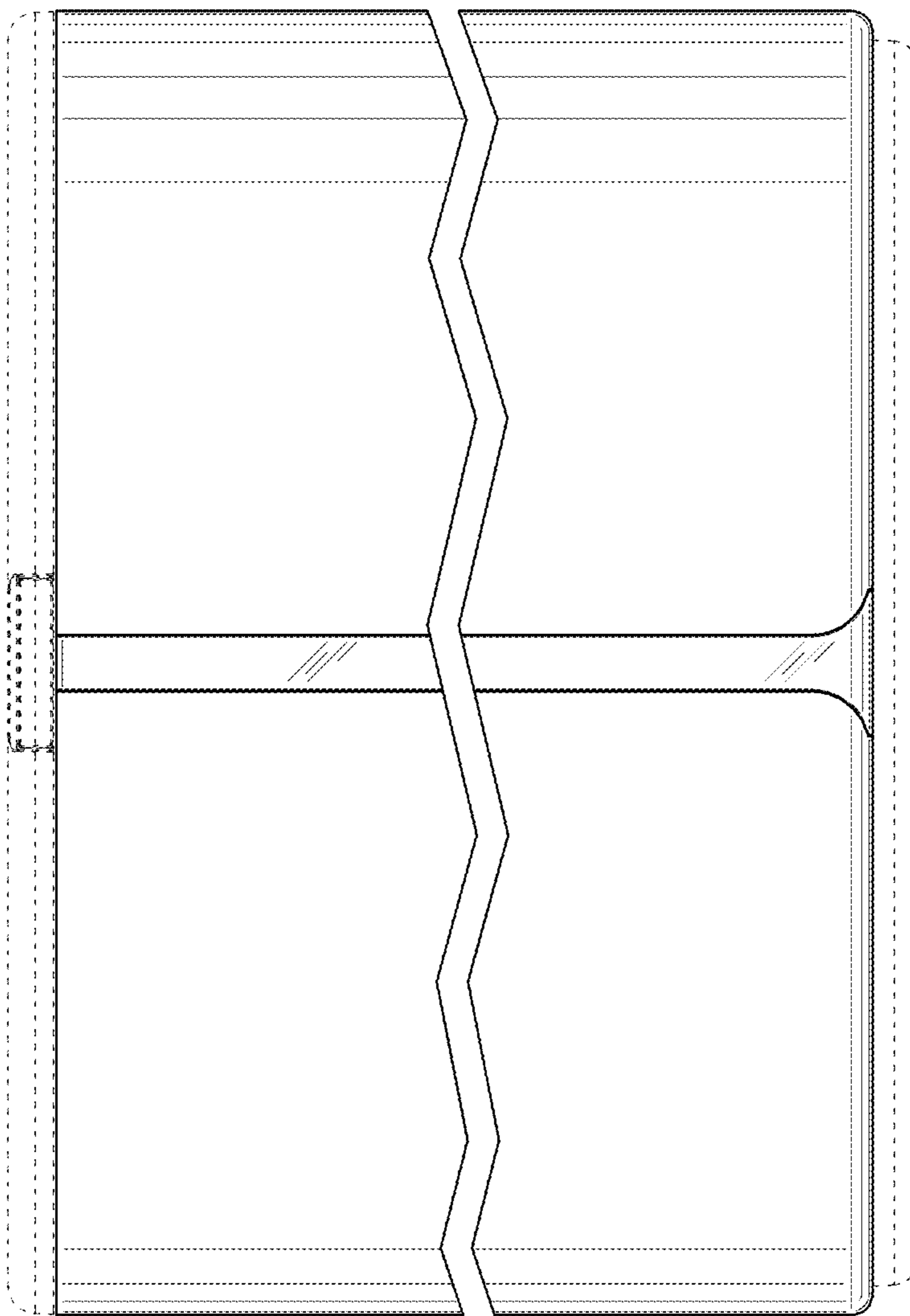


FIG. 2

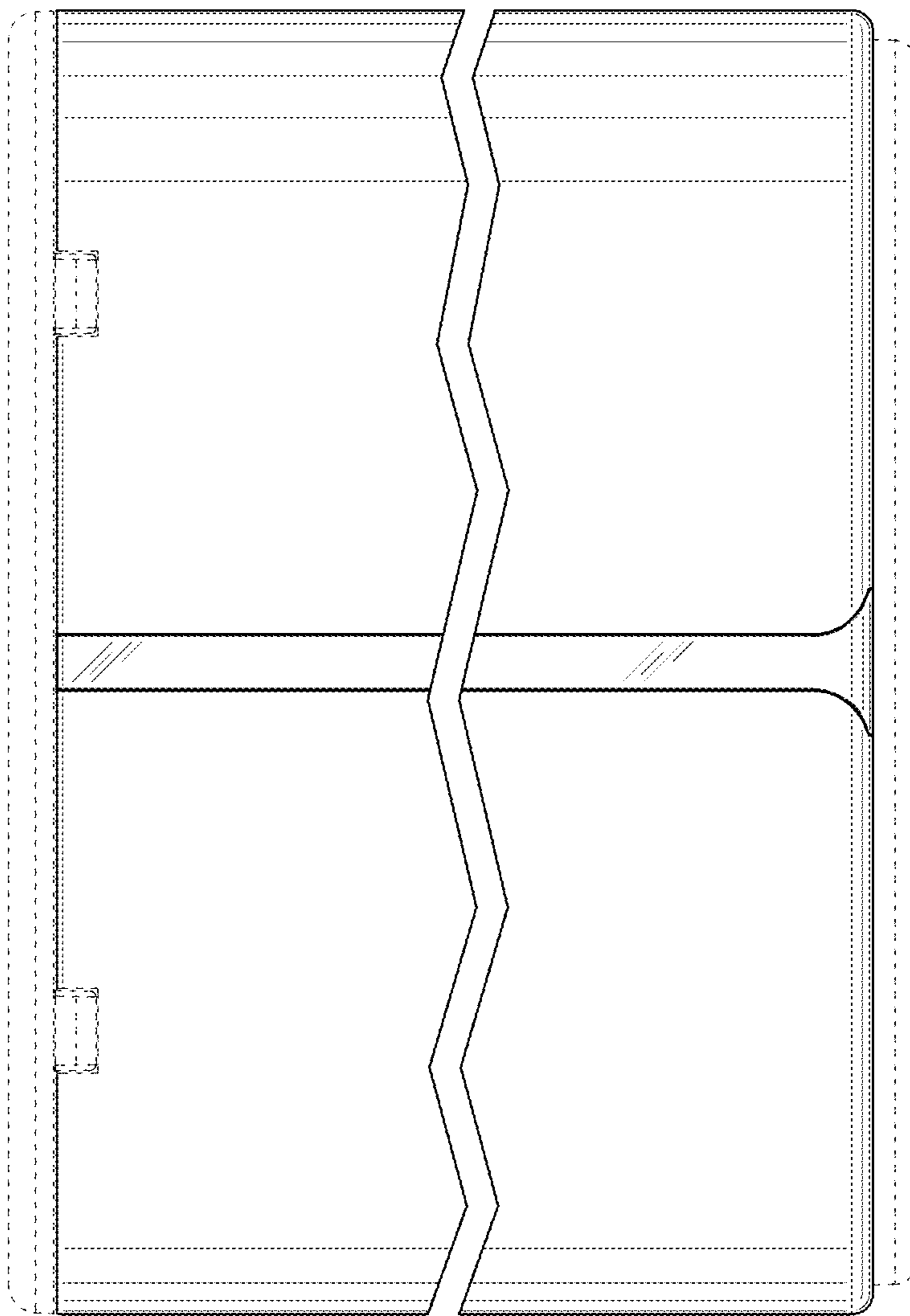


FIG. 3

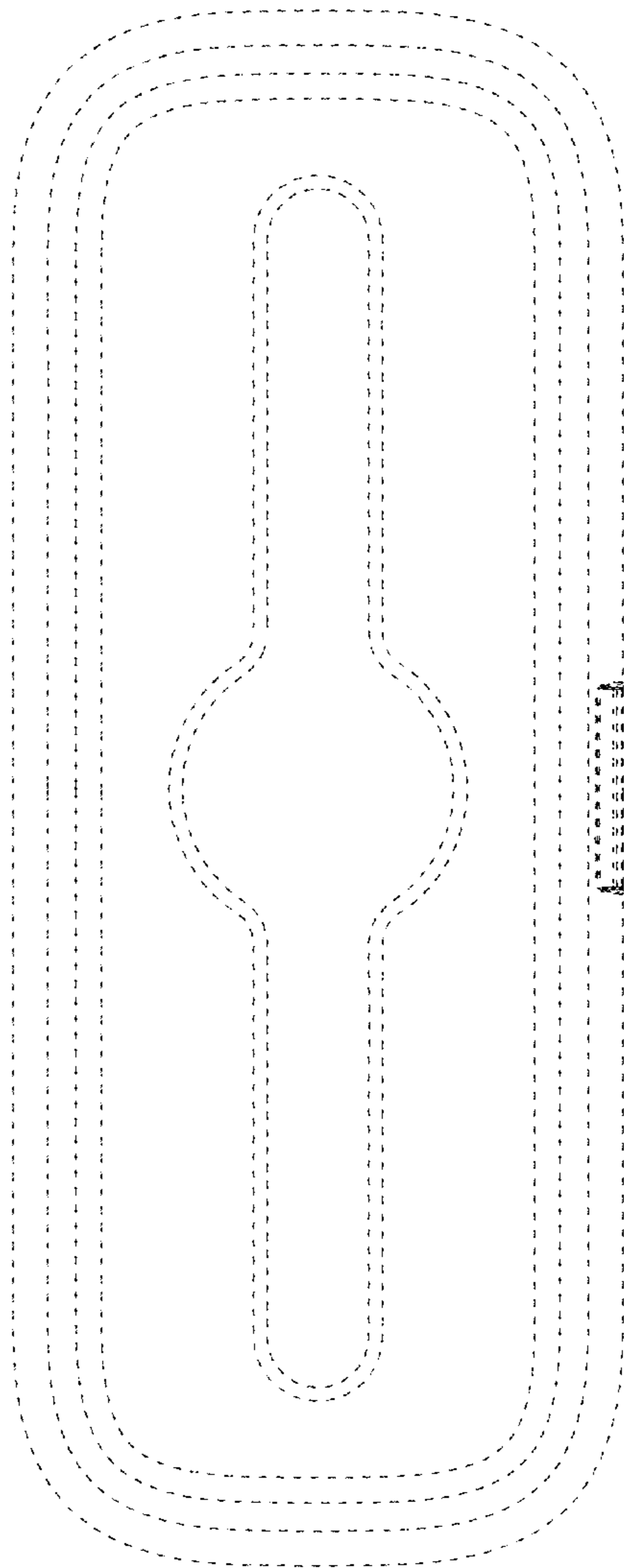


FIG. 4

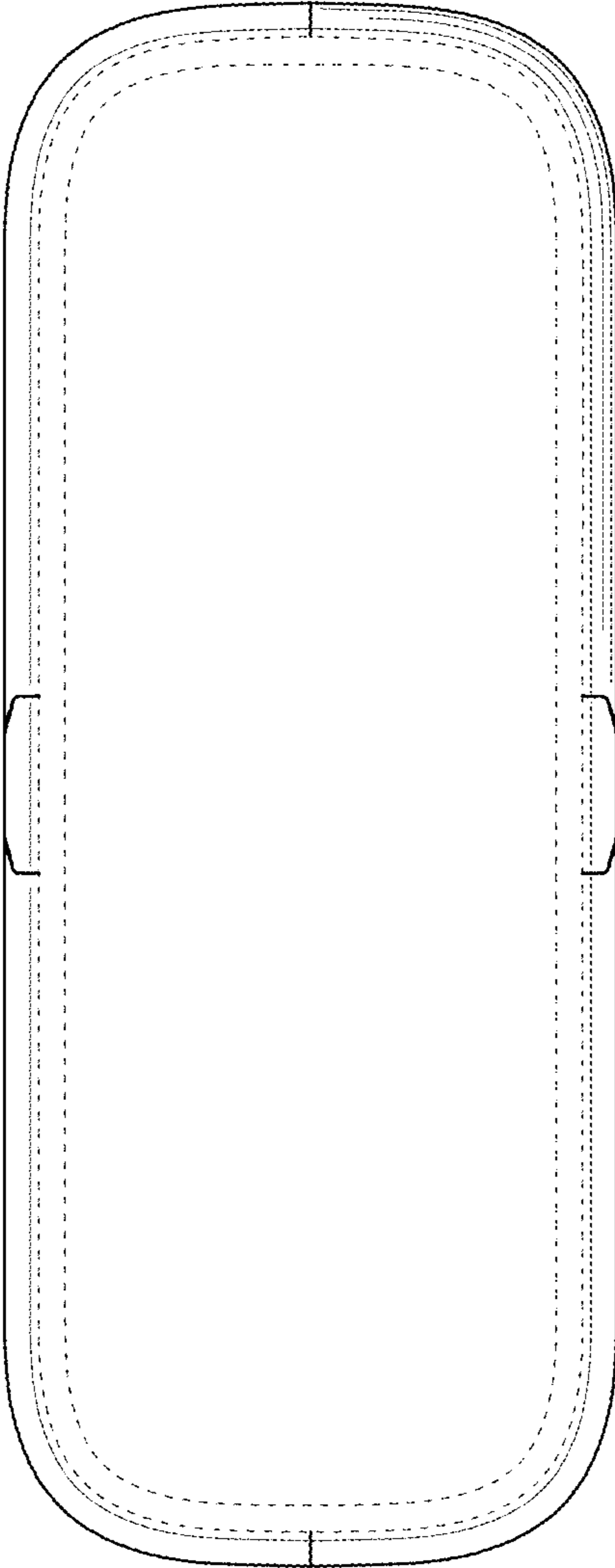


FIG. 5

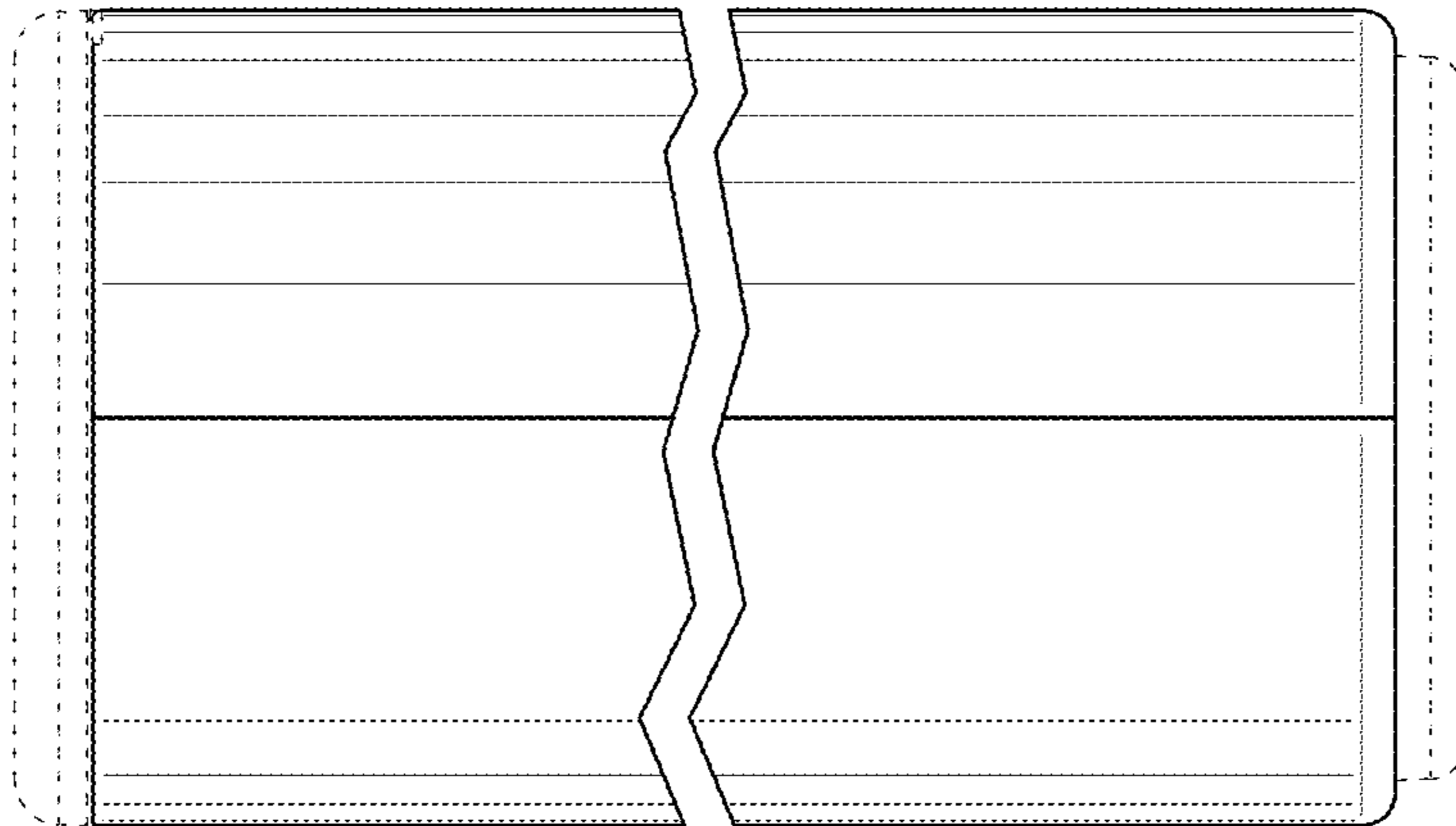


FIG. 6

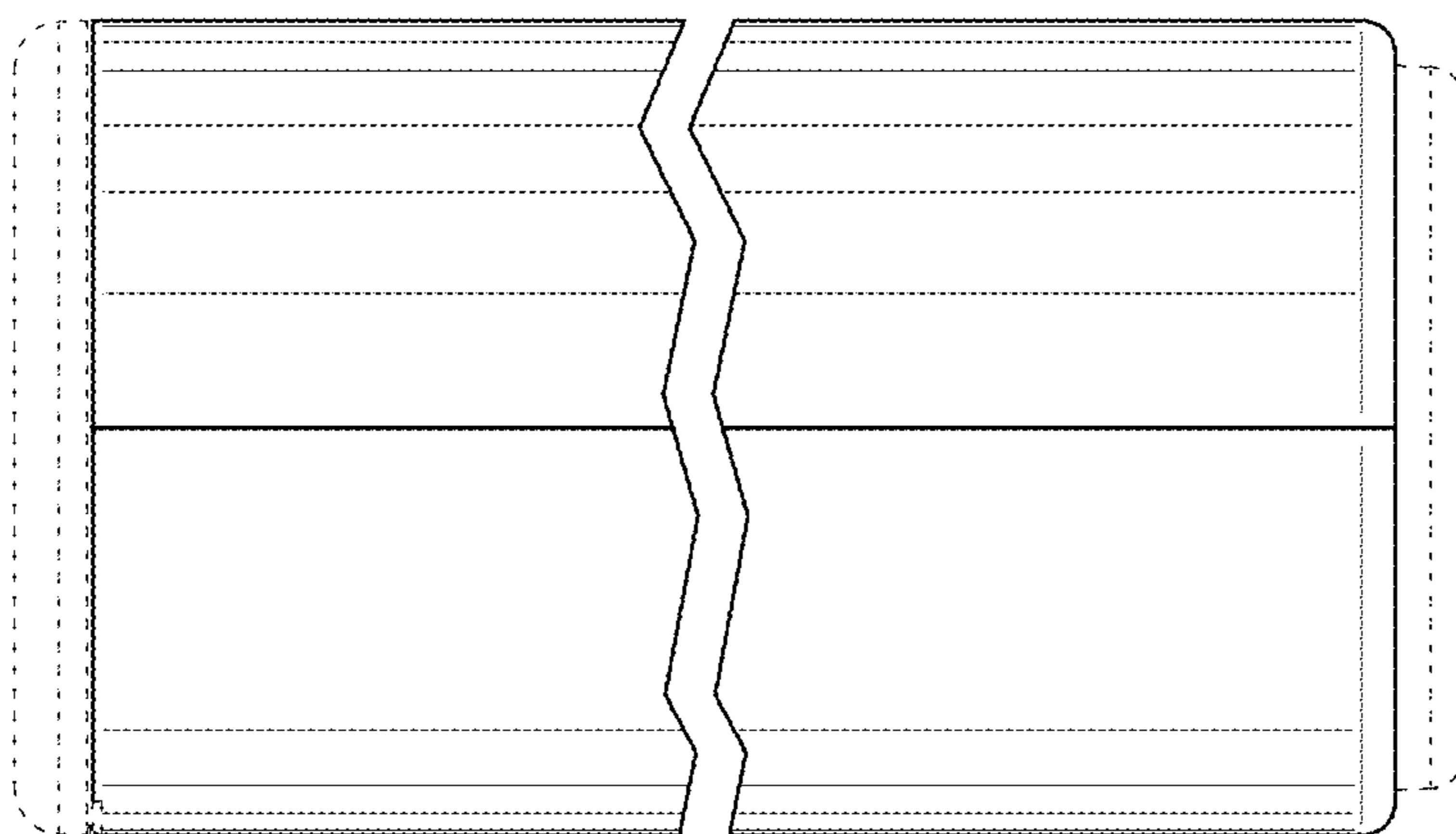


FIG. 7