



US00D899805S

(12) **United States Design Patent** (10) **Patent No.:** **US D899,805 S**
Tsui (45) **Date of Patent:** **** Oct. 27, 2020**

(54) **BAG DISPENSER**

(56) **References Cited**

(71) Applicant: **Duratech Plastics Corporation**,
Carlstadt, NJ (US)
(72) Inventor: **Jonathan J. Tsui**, Wyckoff, NJ (US)
(73) Assignee: **Duratech Plastics Corporation**,
Carlstadt, NJ (US)
(**) Term: **15 Years**
(21) Appl. No.: **29/662,513**
(22) Filed: **Sep. 6, 2018**
(51) **LOC (12) Cl.** **06-06**
(52) **U.S. Cl.**
USPC **D6/518**
(58) **Field of Classification Search**
USPC D6/21, 315, 319, 320, 323, 325, 512,
D6/518, 524, 553, 566, 681.1, 709;
D7/619.1, 619.2, 620, 621, 622, 691, 398,
D7/387, 392, 392.1, 412, 313; D8/10,
D8/70.1, 71, 101, 339, 349, 354, 356,
D8/360.1, 376, 377, 378, 380, 381, 382,
D8/383, 385; D9/414, 415, 434, 436,
D9/438, 443, 455, 456, 501, 518, 530,
D9/722; D12/7, 9; D13/133, 153;
D15/72, 78; D24/127-131, 112-114,
D24/133, 186, 194, 199, 146, 231
CPC A61J 9/0638; A61J 9/0684; A61J 9/063;
A61M 25/02; A61M 25/0612; A61M
25/065; A61M 25/00; A61M 39/00;
A61M 27/00; A61F 9/0026; A61F
9/0006; E04F 11/1804; E04F 11/1808;
F16L 23/10; A47F 13/085; A47F
2009/044; B65H 2701/191; G16H 20/13;
B65D 47/18
See application file for complete search history.

U.S. PATENT DOCUMENTS

| | | | |
|---------------|---------|--------------------|-----------------------|
| D52,910 S * | 1/1919 | Neergaard | D15/78 |
| D158,567 S | 5/1950 | Engstrom | |
| 2,673,134 A * | 3/1954 | Barnett | A47F 13/085 221/59 |
| D178,601 S | 8/1956 | Gilardi | |
| D194,213 S | 12/1962 | Bargen et al. | |
| D264,761 S | 6/1982 | Dekarski | |
| D273,159 S * | 3/1984 | Adamson | 248/97 |
| D301,667 S * | 6/1989 | Barrs | D6/518 |
| D311,835 S * | 11/1990 | Bamman | D6/518 |
| 5,219,424 A | 6/1993 | Simhaee | |
| D351,774 S * | 10/1994 | Witt | D8/71 |
| 5,480,084 A | 1/1996 | Daniels | |
| 5,556,019 A | 9/1996 | Morris | |
| 5,558,262 A | 9/1996 | Simhaee | |
| 5,573,168 A | 11/1996 | Kannankeril et al. | |
| 5,706,993 A | 1/1998 | Dematteis | |
| 5,813,585 A | 9/1998 | Kannankeril et al. | |
| D409,027 S * | 5/1999 | Simhaee | D6/518 |
| 5,934,535 A | 8/1999 | Kannankeril et al. | |
| 6,199,788 B1 | 3/2001 | Simhaee | |
| 6,279,806 B1 | 8/2001 | Simhaee | |

(Continued)

Primary Examiner — Catherine S Posthauer
(74) *Attorney, Agent, or Firm* — Chiesa Shahinian &
Giantomasi PC

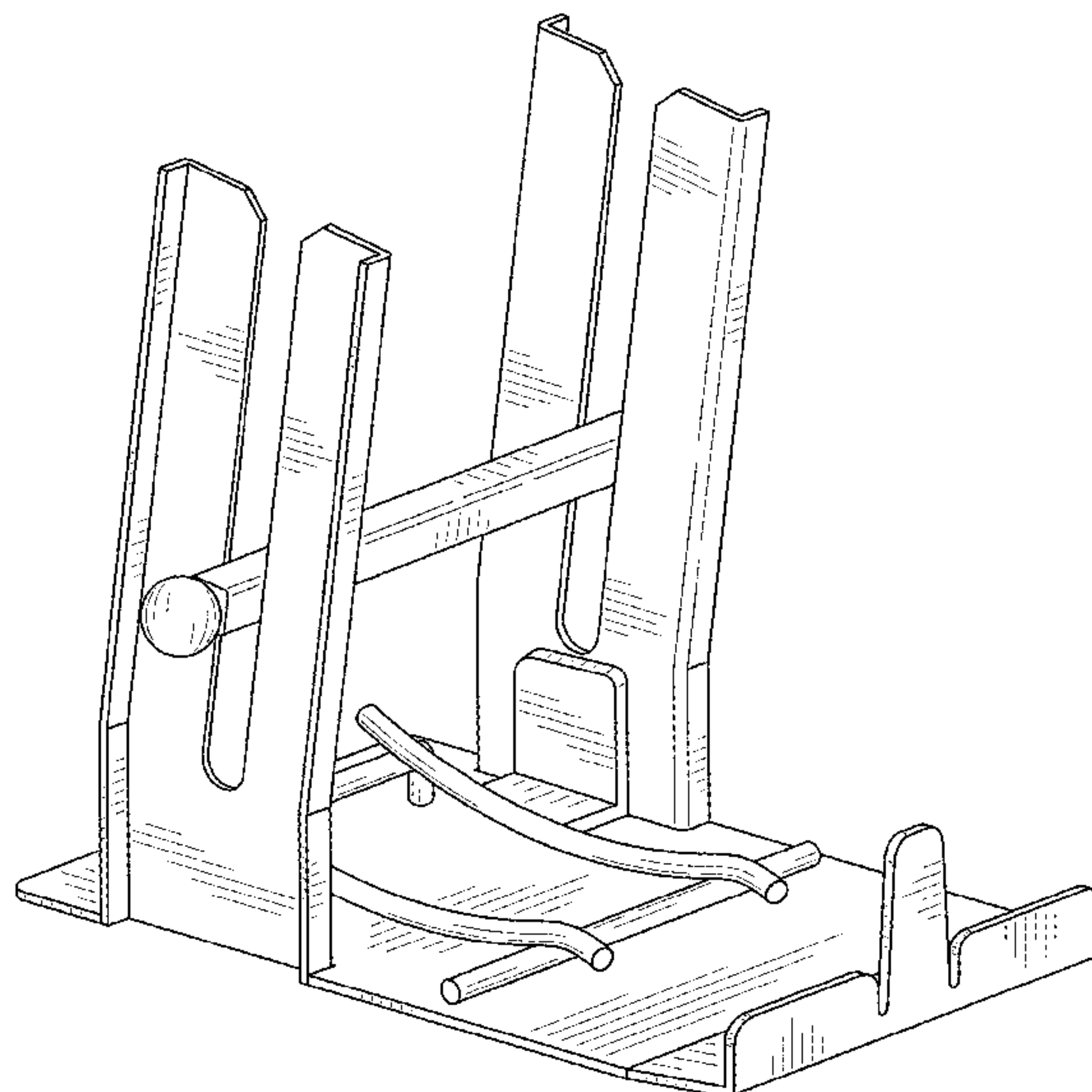
(57) **CLAIM**

The ornamental design for a bag dispenser, as shown and described.

DESCRIPTION

FIG. 1 is a front right perspective view of a bag dispenser, showing my new design;
FIG. 2 is a front view thereof;
FIG. 3 is a rear view thereof;
FIG. 4 is a left side view thereof;
FIG. 5 is a right side view thereof;
FIG. 6 is a top view thereof; and,
FIG. 7 is a bottom view thereof.

1 Claim, 4 Drawing Sheets



(56)

References Cited

U.S. PATENT DOCUMENTS

| | | | | |
|--------------|------|---------|--------------------|-----------------------|
| 6,431,396 | B1 | 8/2002 | Daniels et al. | |
| 6,481,594 | B1 | 11/2002 | Yeh et al. | |
| 6,561,403 | B1 | 5/2003 | Kannankeril et al. | |
| 6,685,075 | B1 * | 2/2004 | Kannankeril | A47F 9/042 225/106 |
| 7,128,251 | B1 | 10/2006 | Galle | |
| D532,216 | S | 11/2006 | Calabria et al. | |
| D551,007 | S | 9/2007 | Trinko | |
| 7,424,963 | B2 | 9/2008 | Daniels | |
| 7,591,405 | B2 * | 9/2009 | Daniels | B26F 3/02 225/106 |
| D661,929 | S | 6/2012 | Purcell et al. | |
| D711,736 | S | 8/2014 | Strom et al. | |
| 8,875,968 | B2 | 11/2014 | Tan | |
| D768,849 | S * | 10/2016 | Eisenberg | D24/128 |
| 9,890,009 | B1 * | 2/2018 | Chen | B26F 3/02 |
| 10,202,786 | B1 * | 2/2019 | Keegan | F16M 13/04 |
| 10,314,415 | B2 * | 6/2019 | Macdonald | A47F 9/042 |
| 2002/0160896 | A1 | 10/2002 | Yeh et al. | |
| 2004/0007607 | A1 | 1/2004 | Daniels | |
| 2005/0098600 | A1 | 5/2005 | Yeh et al. | |
| 2011/0073629 | A1 * | 3/2011 | Tseng | B26F 3/02 225/51 |
| 2012/0024884 | A1 * | 2/2012 | Wilfong | B65H 16/005 221/30 |
| 2012/0125970 | A1 | 5/2012 | Tsui | |
| 2012/0305618 | A1 * | 12/2012 | Tan | B65H 35/10 225/47 |
| 2013/0134181 | A1 * | 5/2013 | Helseth | B65H 16/005 221/26 |
| 2017/0055726 | A1 * | 3/2017 | Macdonald | A47F 9/042 |

* cited by examiner

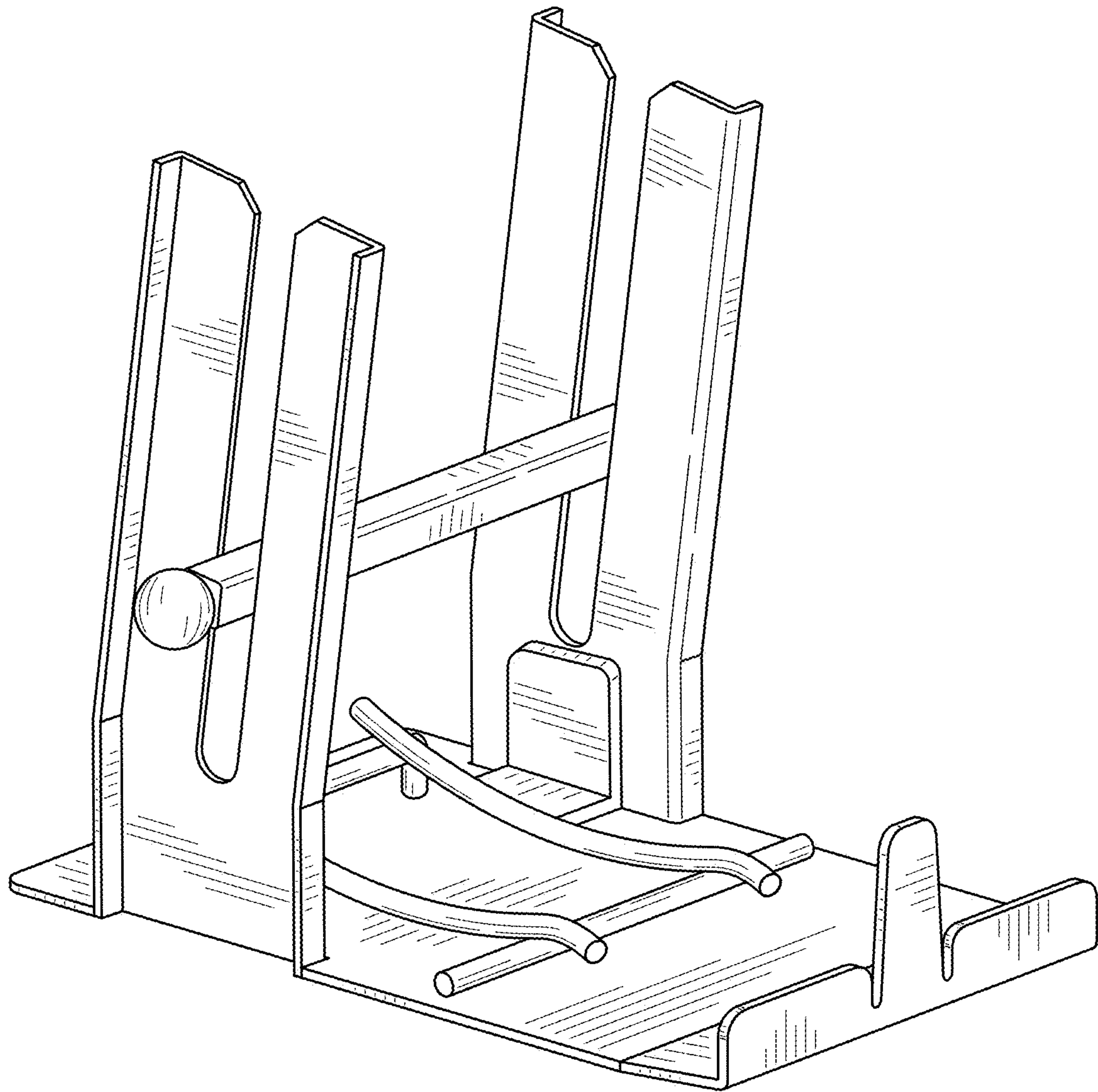


FIG. 1

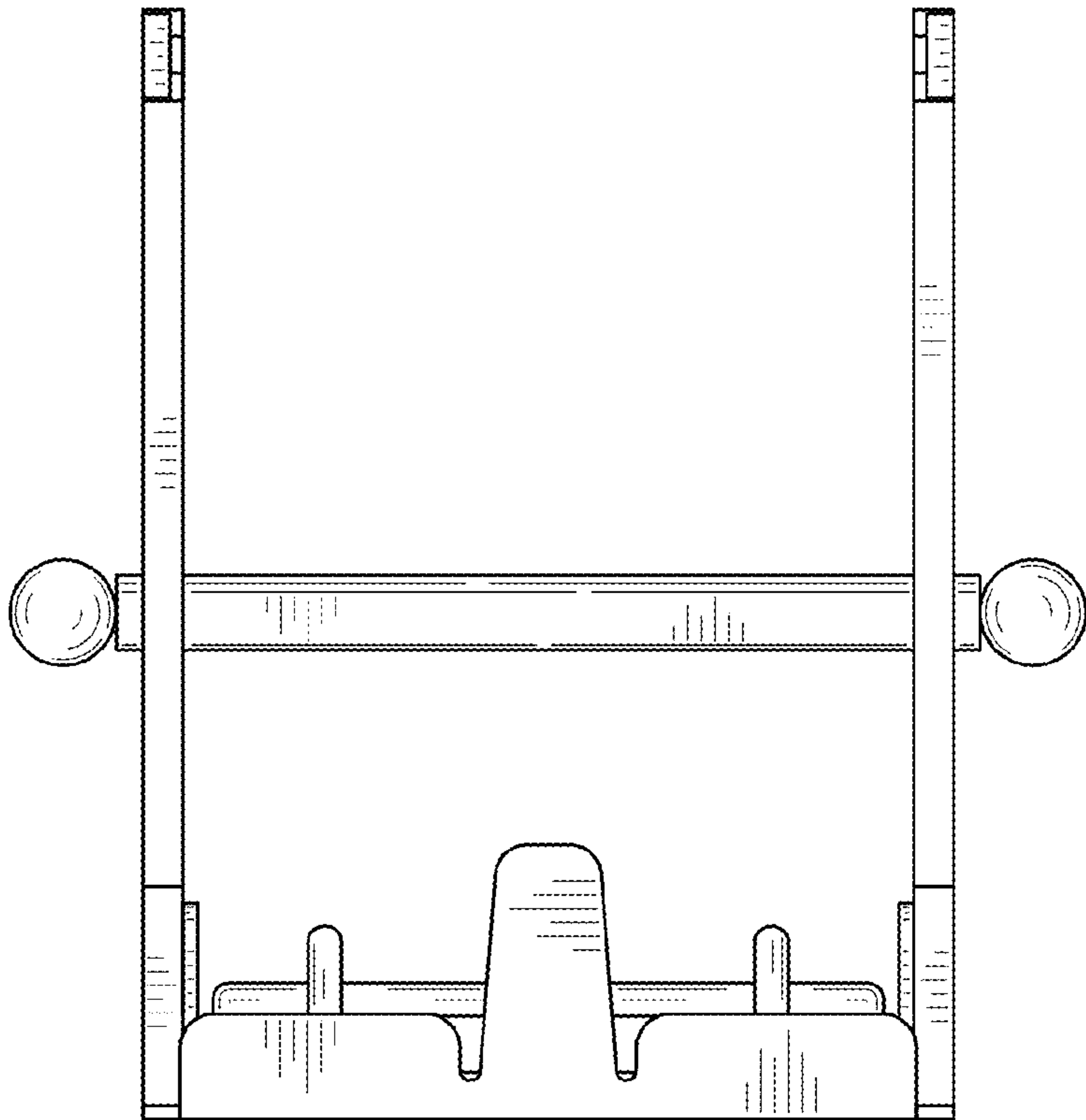


FIG. 2

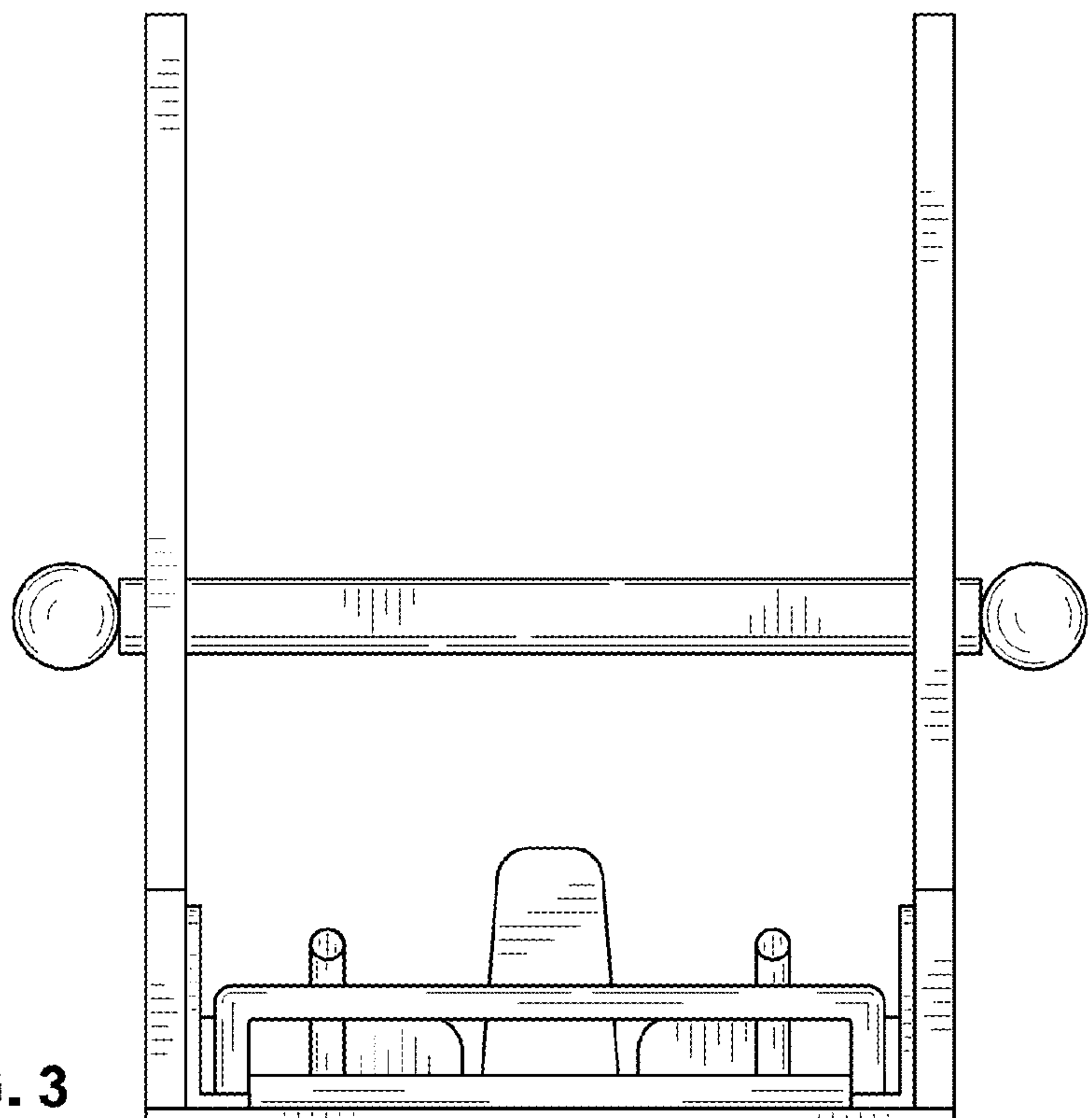


FIG. 3

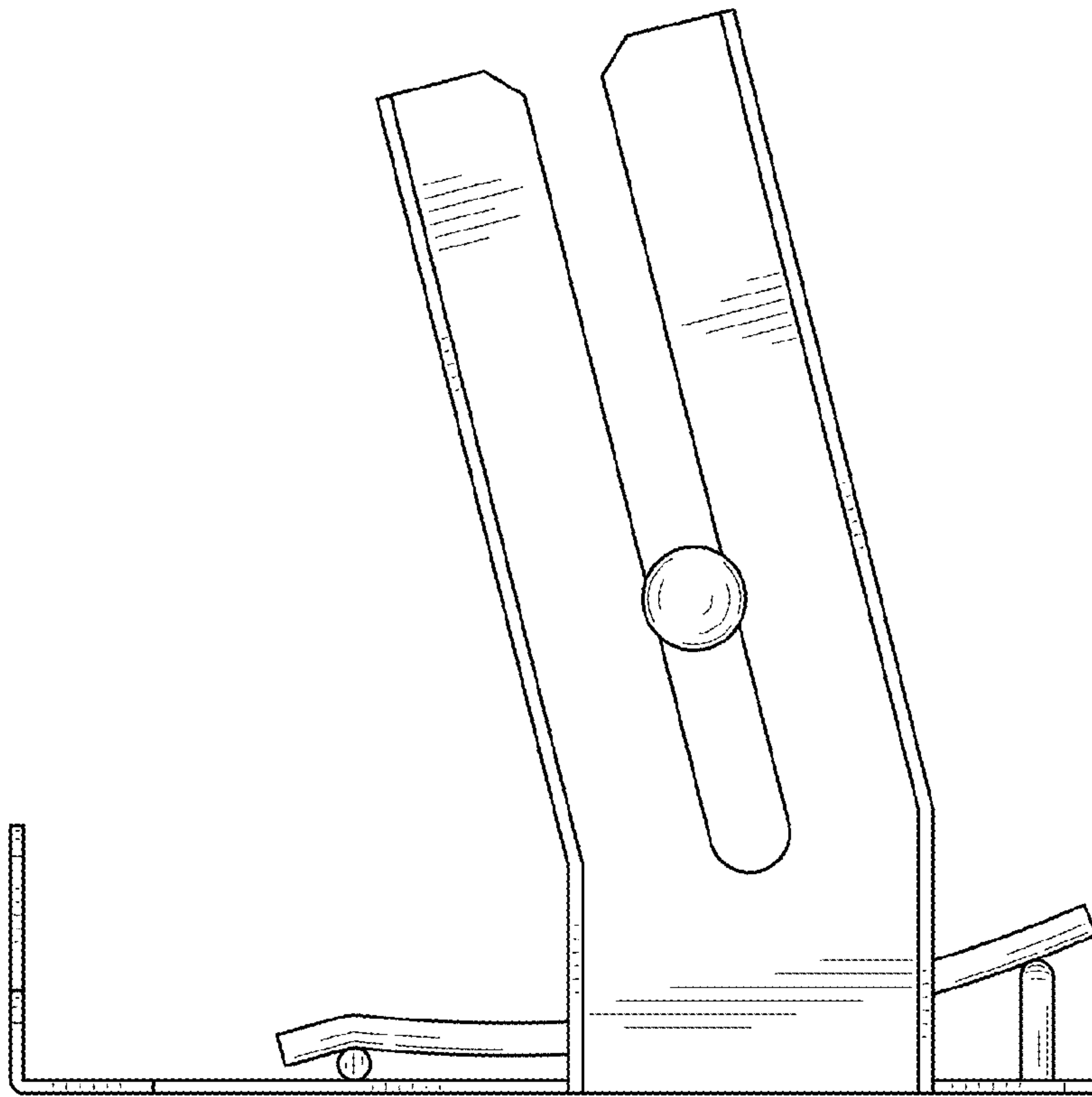


FIG. 4

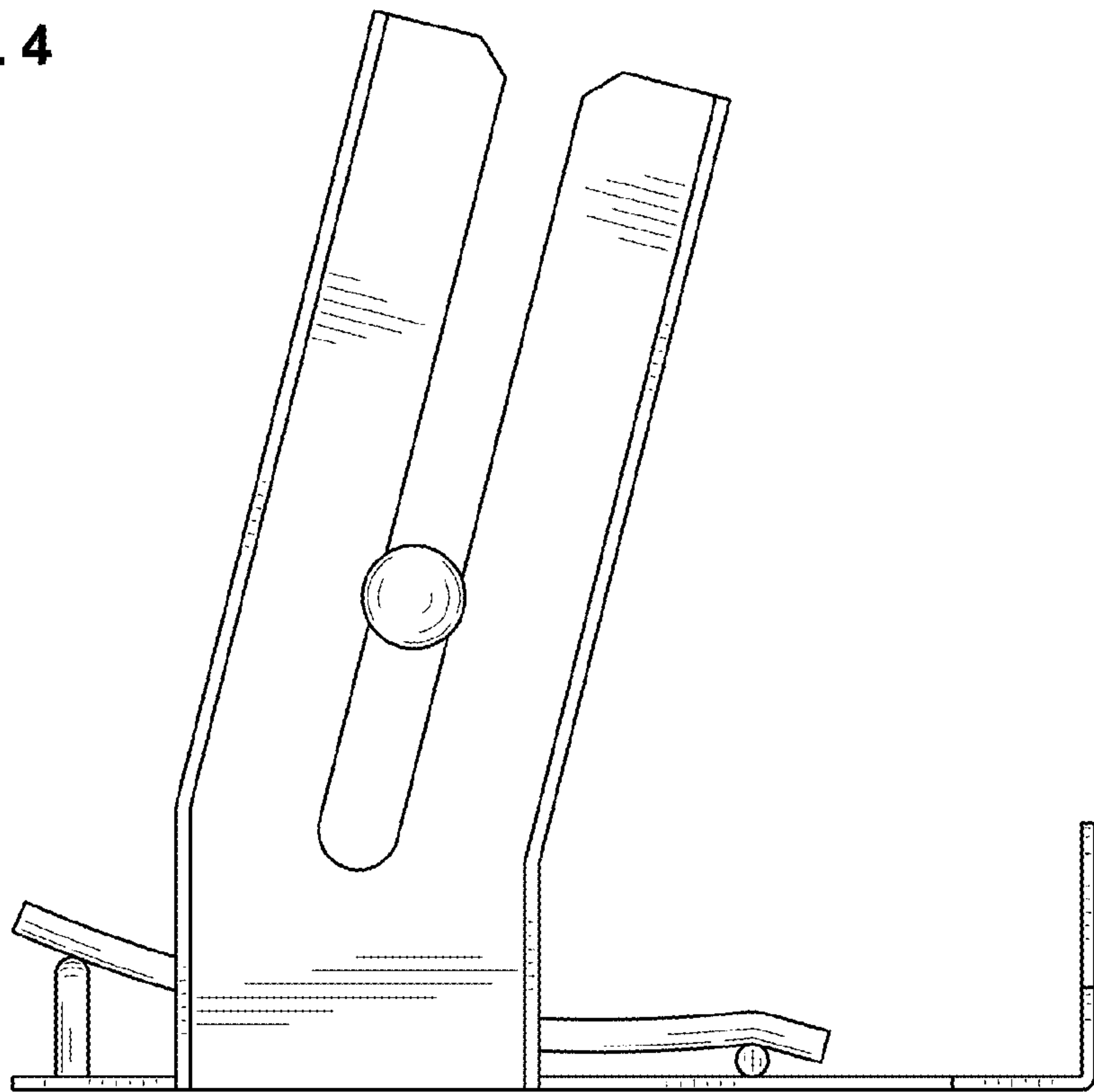


FIG. 5

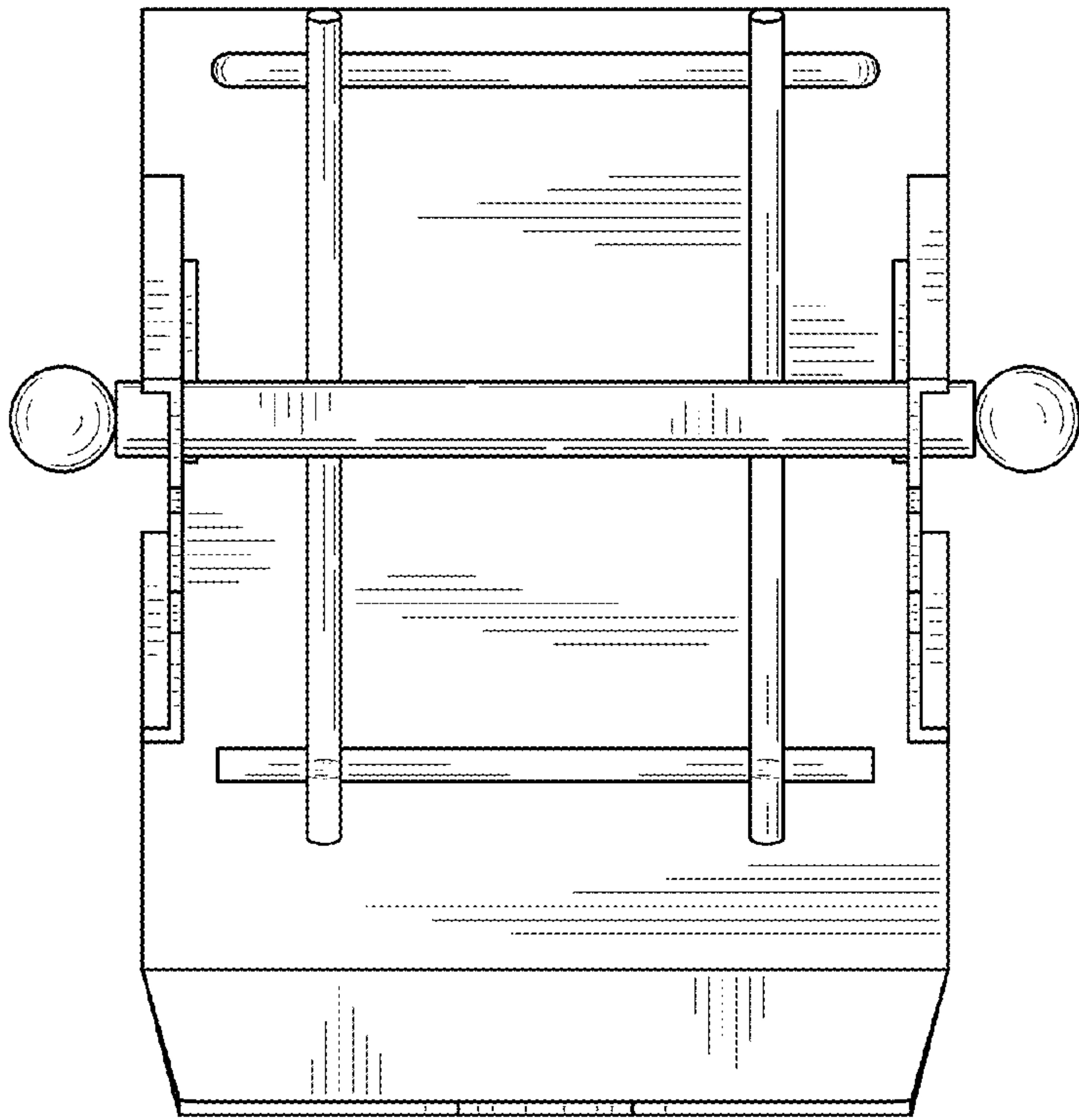


FIG. 6

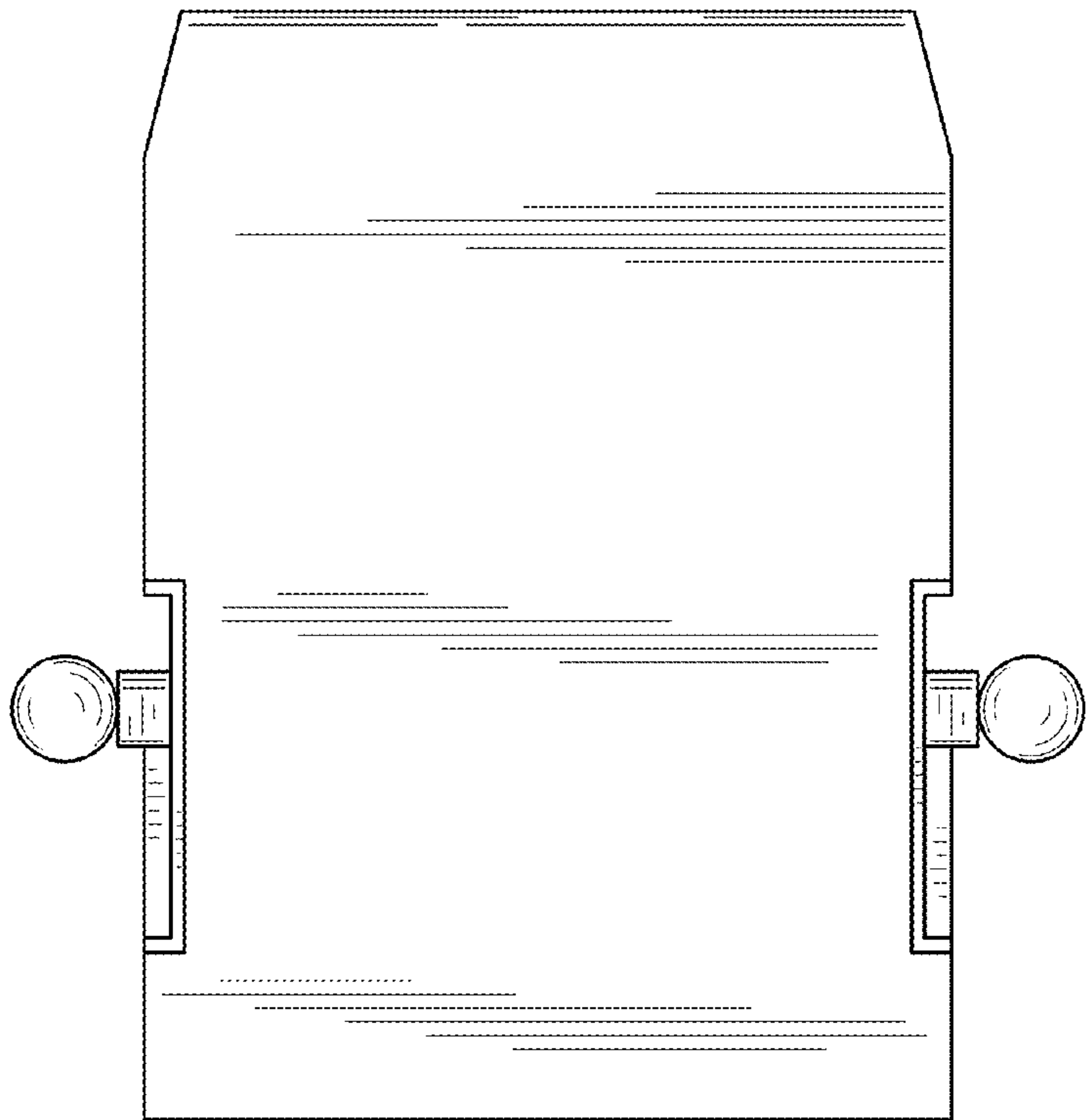


FIG. 7