



US00D899804S

(12) **United States Design Patent** (10) **Patent No.:** **US D899,804 S**  
**Carter** (45) **Date of Patent:** **\*\* Oct. 27, 2020**

(54) **BED WITH HEADBOARD**

(71) Applicant: **Blu Dot Design & Manufacturing, Inc.**, Minneapolis, MN (US)

(72) Inventor: **Michael Carter**, Bloomington, MN (US)

(73) Assignee: **Blu Dot Design & Manufacturing, Inc.**, Minneapolis, MN (US)

(\*\*) Term: **15 Years**

(21) Appl. No.: **29/682,446**

(22) Filed: **Mar. 5, 2019**

(51) **LOC (12) Cl.** ..... **06-02**

(52) **U.S. Cl.**  
USPC ..... **D6/393**

(58) **Field of Classification Search**  
USPC ..... D6/382-384, 393-395, 718.13, 718.22,  
D6/718.23, 718.24

CPC ..... A47C 19/00; A47C 19/005; A47C 19/021;  
A47C 19/022

See application file for complete search history.

(56) **References Cited**

U.S. PATENT DOCUMENTS

D450,471 S *	11/2001	Dordoni	.....	D6/393
D450,472 S *	11/2001	Dordoni	.....	D6/393
D453,639 S *	2/2002	Dordoni	.....	D6/393
D505,563 S *	5/2005	Hutton	.....	D6/393
D644,851 S *	9/2011	Colombo	.....	D6/393
D717,064 S *	11/2014	Jourdan	.....	D6/393
D846,910 S *	4/2019	Vorraber	.....	D6/393
D876,118 S *	2/2020	Bellini	.....	D6/393
D878,799 S *	3/2020	Bernhardt	.....	D6/393

OTHER PUBLICATIONS

Blu Dot Catalog No. 16, Designed in Minneapolis, Minnesota, published 2015, 44 pgs.

Blu Dot Catalog No. 17, Designed in Minneapolis, Minnesota, published 2015, 52 pgs.

Blu Dot Catalog No. 18, Designed in Minneapolis, Minnesota, published 2016, 51 pgs.

Blu Dot Catalog No. 19, Designed in Minneapolis, Minnesota, published 2016, 54 pgs.

Blu Dot Catalog No. 21, Cat 17F-Book A, Designed in Minneapolis, Minnesota, Applicant believes reference was published and available more than one year prior to the filing date of the instant application, 51 pgs.

(Continued)

*Primary Examiner* — Cathron C Brooks

(74) *Attorney, Agent, or Firm* — Fredrikson & Byron, P.A.

(57) **CLAIM**

Applicant claims the ornamental design for a bed with headboard, as shown and described.

**DESCRIPTION**

FIG. 1 is a front upper perspective view of a bed with headboard of Applicant's design;

FIG. 2 is a first side elevational view thereof, the second side elevational view opposite the first side elevational view and being a mirror image thereof;

FIG. 3 is a front elevational view thereof;

FIG. 4 is a rear elevational view thereof;

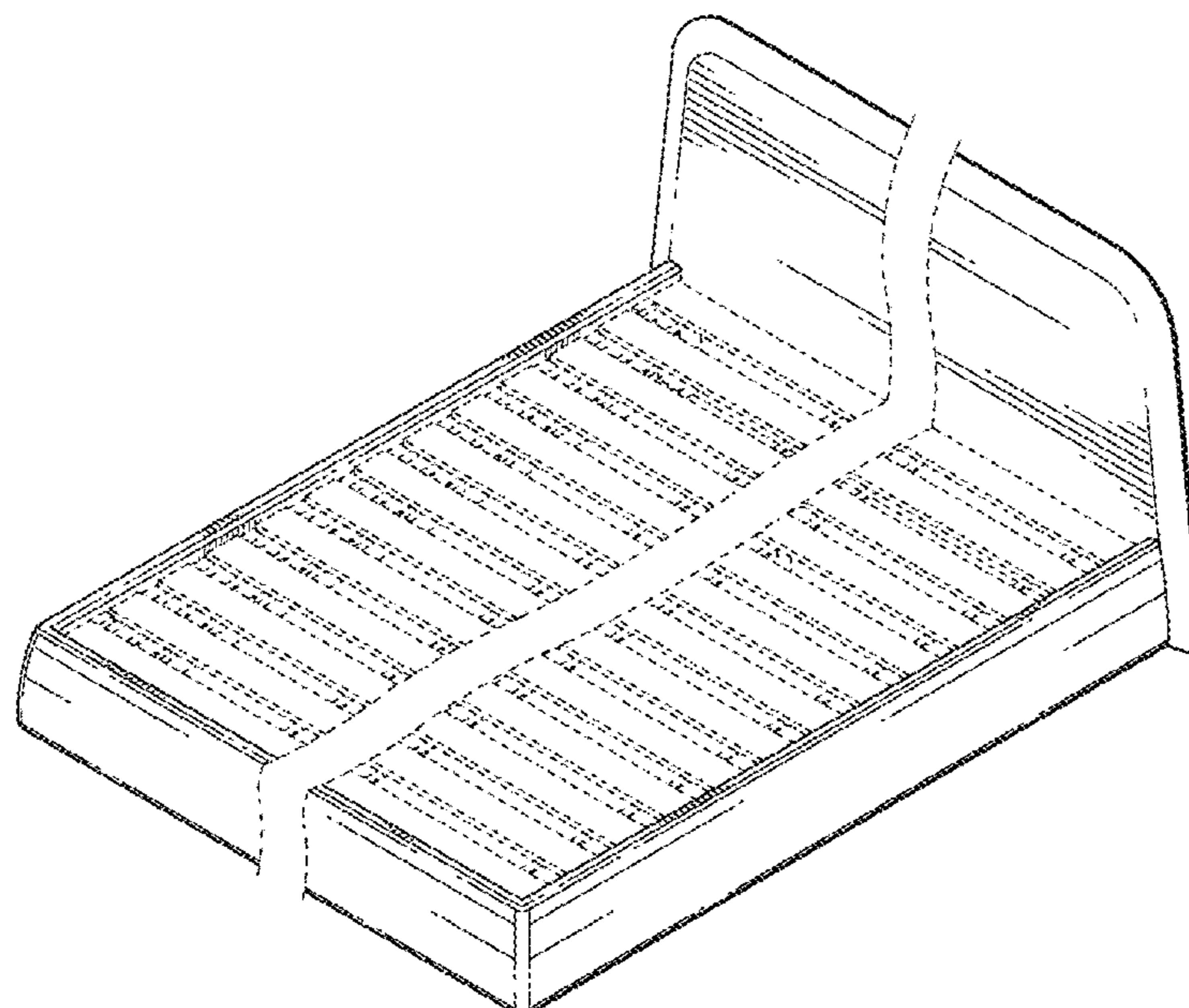
FIG. 5 is a top plan view thereof; and,

FIG. 6 is a bottom plan view thereof.

Where included, broken lines showing environment or structure are for illustrative purposes only and form no part of the claimed design.

The appearance of any portion of the bed with headboard between the break lines forms no part of the claimed design.

**1 Claim, 6 Drawing Sheets**



(56)

**References Cited**

OTHER PUBLICATIONS

Blu Dot Catalog No. 21, Cat 17F-Book B, Designed in Minneapolis, Minnesota, Applicant believes reference was published and available more than one year prior to the filing date of the instant application, 51 pgs.

Blu Dot Catalog No. 22, Cat 18S-Book B, Designed in Minneapolis, Minnesota, Applicant believes reference was published and available more than one year prior to the filing date of the instant application, 33 pgs.

Blu Dot Catalog No. 22, Cat18Sm\_RGB, Designed in Minneapolis, Minnesota, Applicant believes reference was published and available more than one year prior to the filing date of the instant application, 33 pgs.

\* cited by examiner

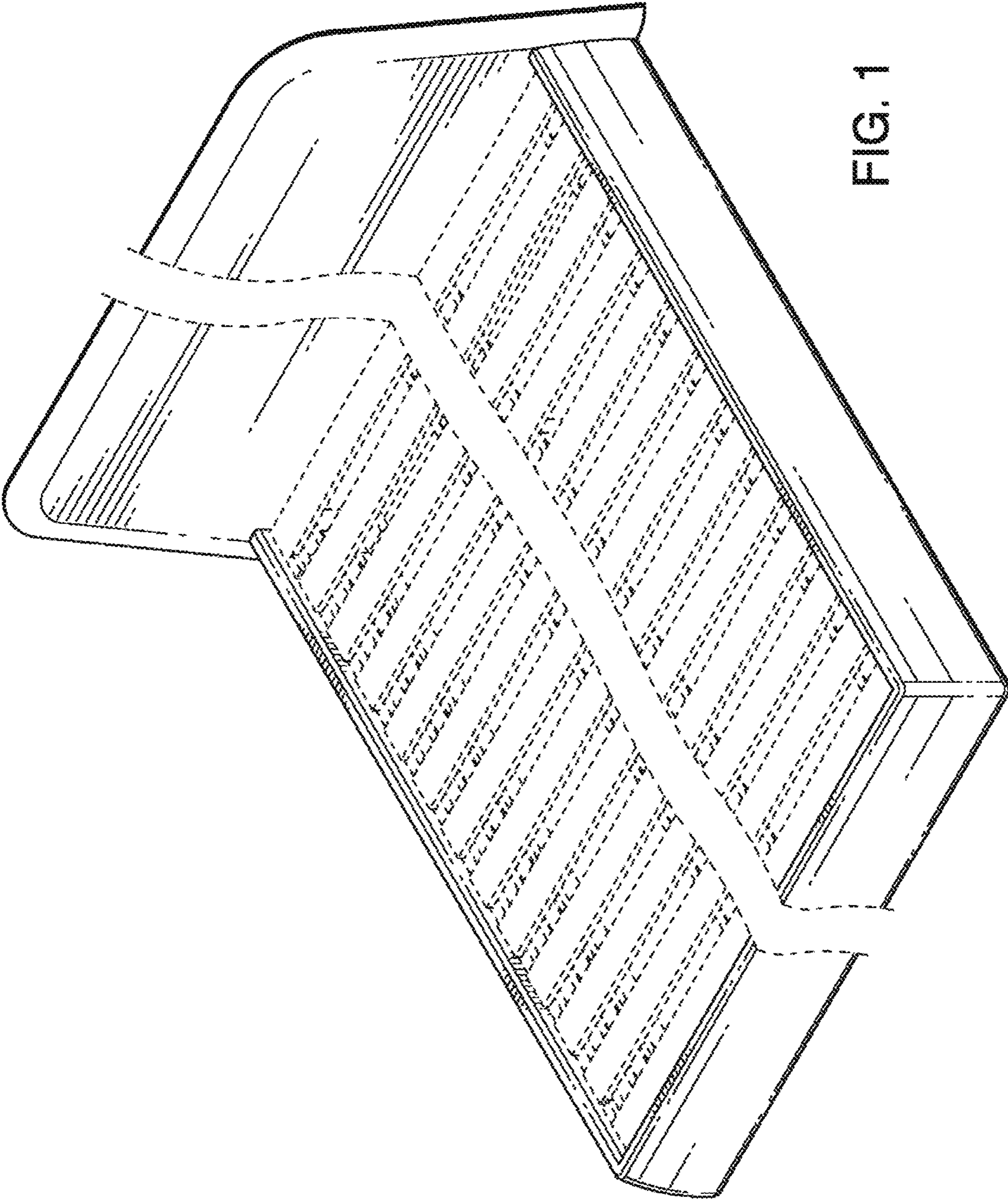


FIG. 1



FIG. 2

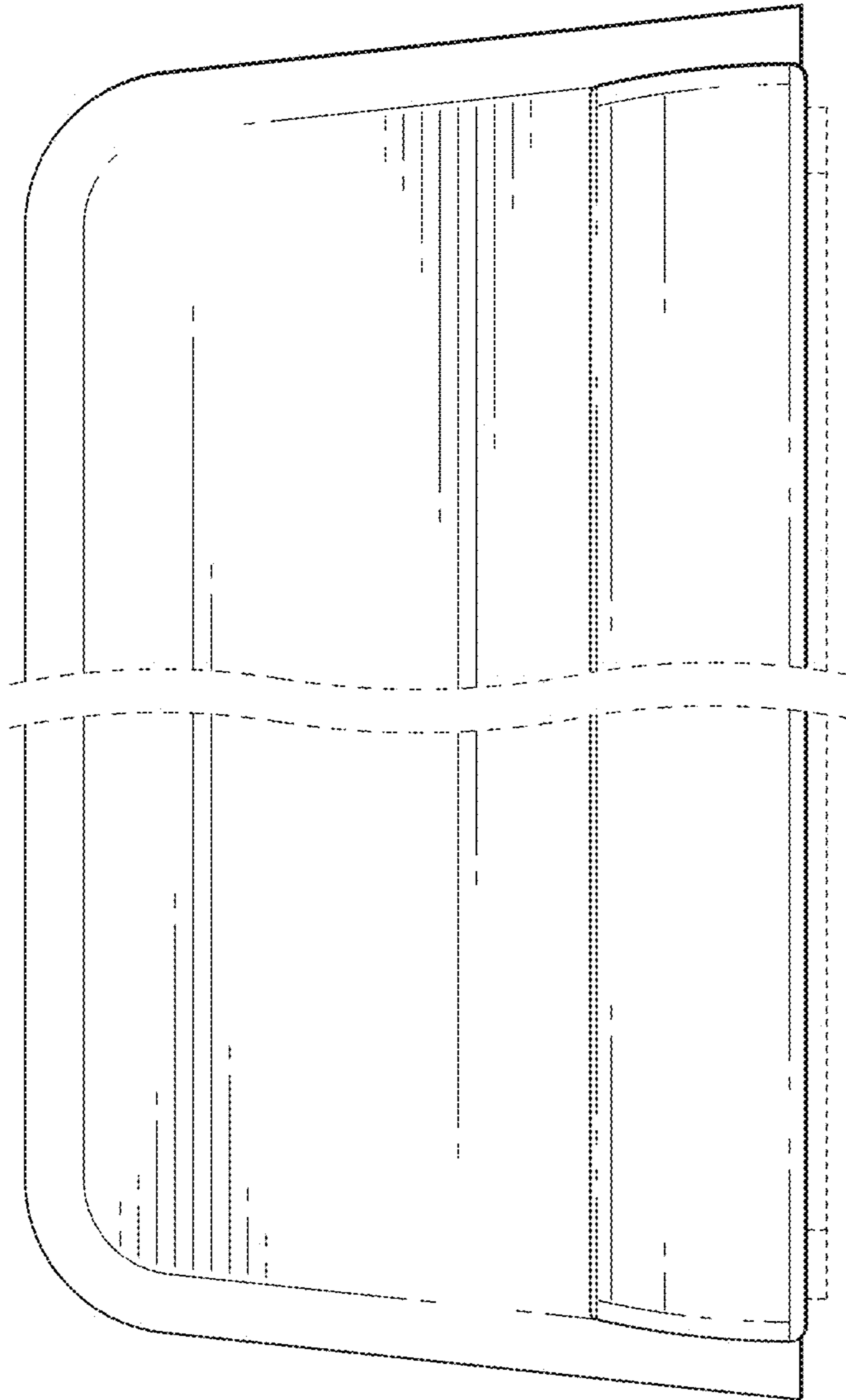


FIG. 3

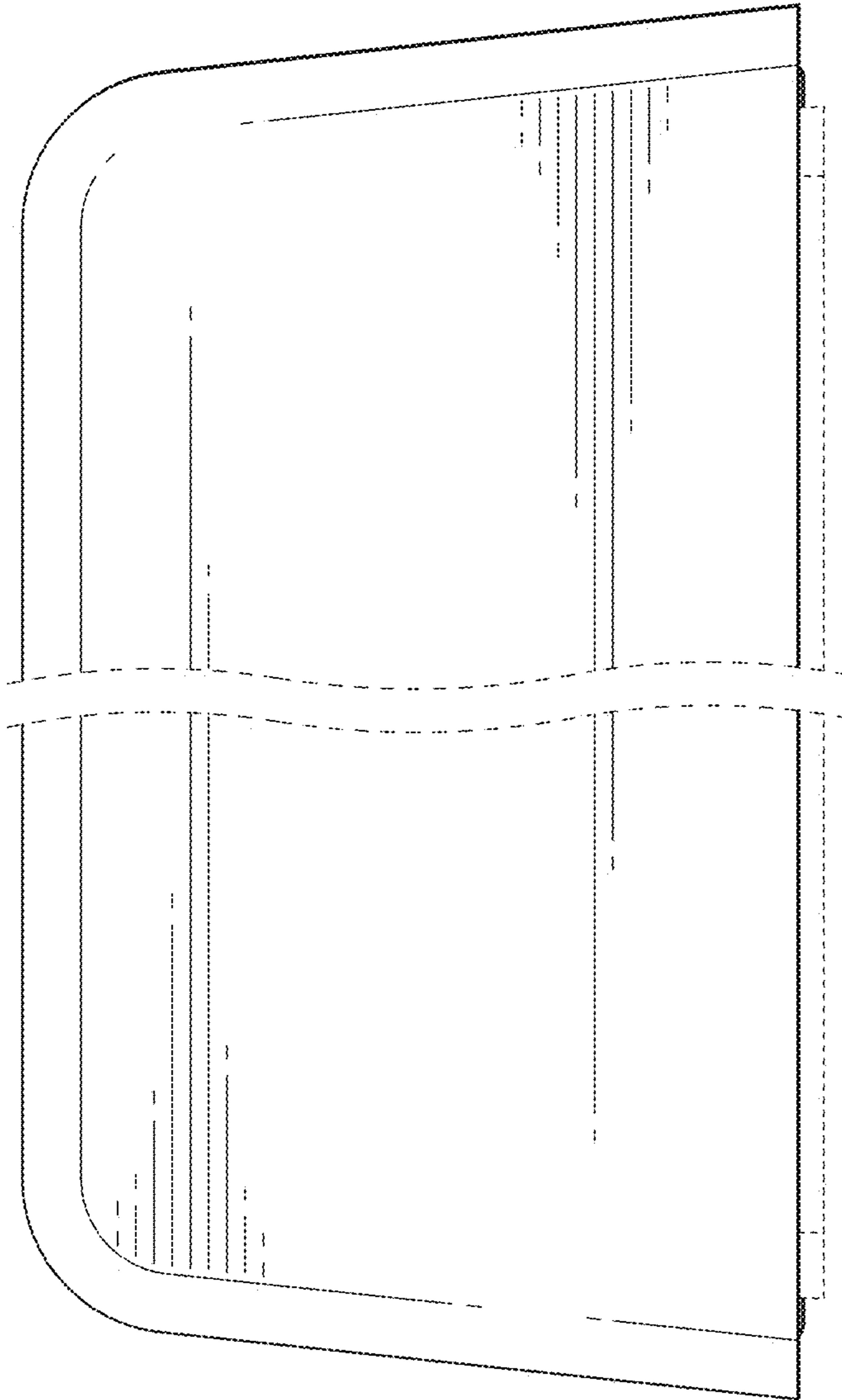


FIG. 4

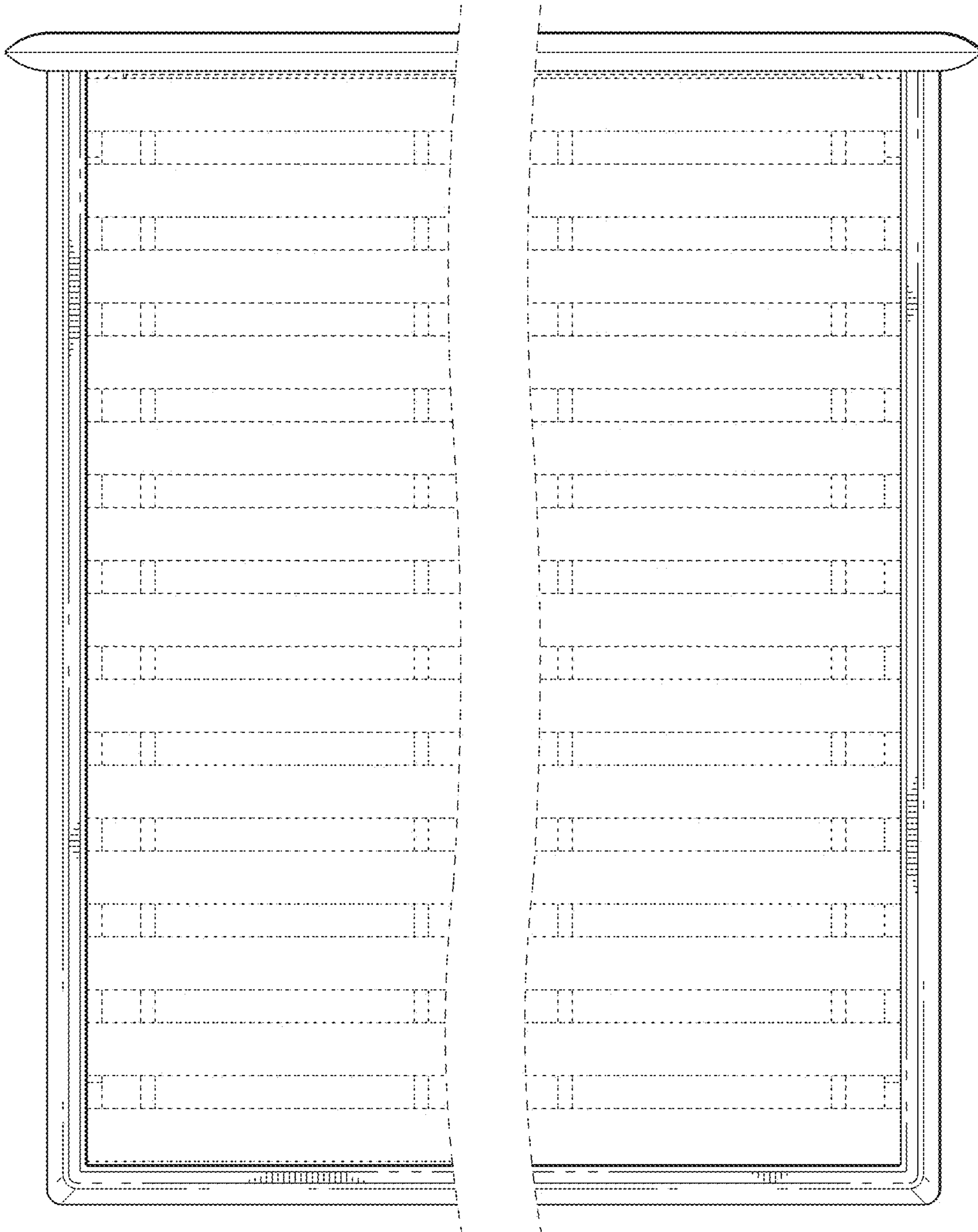


FIG. 5

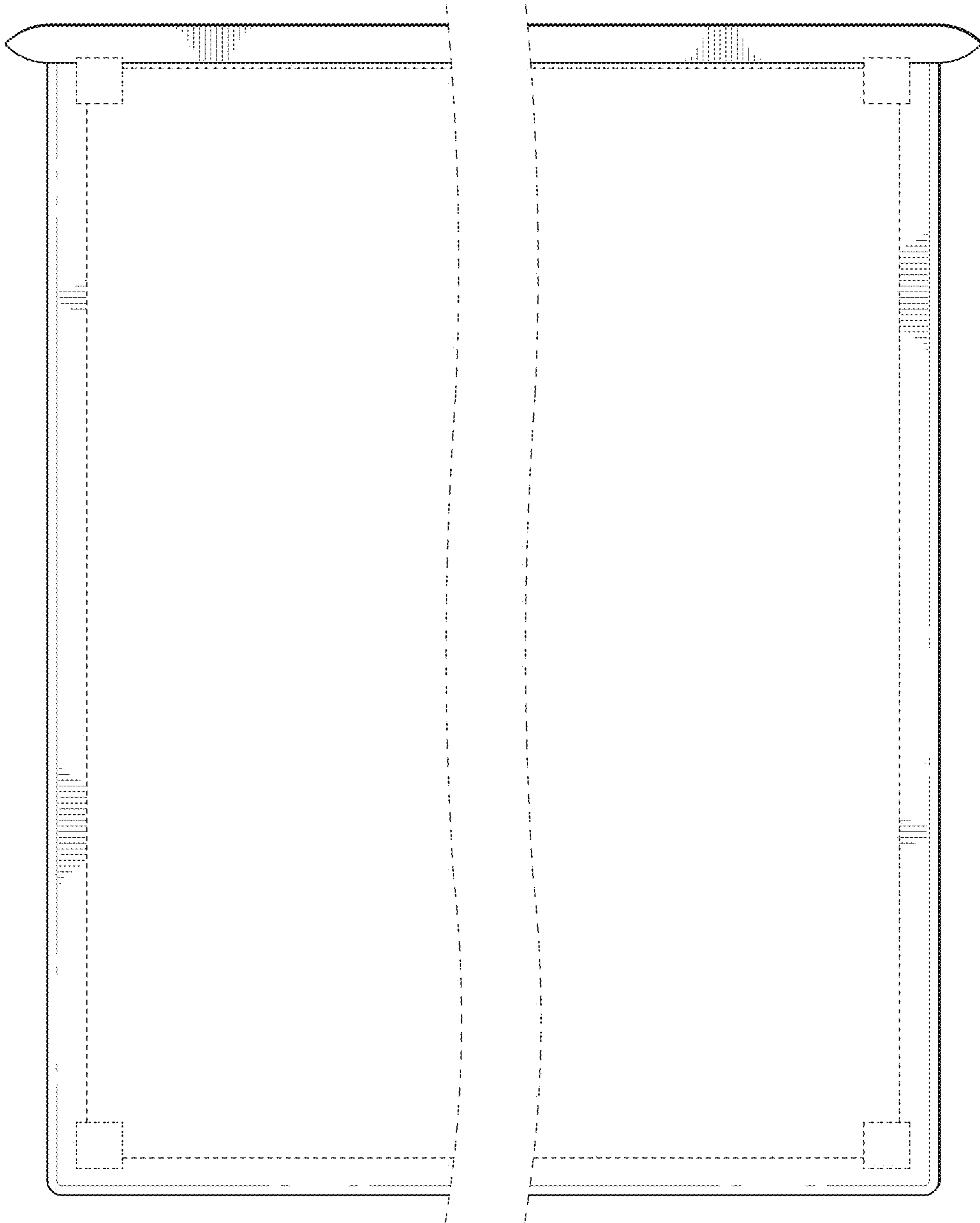


FIG. 6