



US00D899803S

(12) **United States Design Patent**
Tabet

(10) **Patent No.:** **US D899,803 S**

(45) **Date of Patent:** **** Oct. 27, 2020**

(54) **CHAIR**

(71) Applicant: **OMP S.r.l.**, Castello di Godego (TV)
(IT)

(72) Inventor: **Philippe Tabet**, Milan (IT)

(73) Assignee: **OMP S.R.L.**, Castello di Godego (TV)
(IT)

(**) Term: **15 Years**

(21) Appl. No.: **29/666,861**

(22) Filed: **Oct. 16, 2018**

(30) **Foreign Application Priority Data**

Apr. 17, 2018 (EM) 005238029

(51) **LOC (12) Cl.** **06-01**

(52) **U.S. Cl.**
USPC **D6/380**

(58) **Field of Classification Search**

USPC D6/334, 349, 360, 362, 374–377, 379,
D6/381, 716, 716.1, 719.3

CPC .. A47C 1/00; A47C 1/02; A47C 1/024; A47C
1/028; A47C 1/037; A47C 3/00; A47C
3/04; A47C 3/14; A47C 3/20; A47C
7/002; A47C 7/16; A47C 7/18; A47C
4/04; A47C 4/08; A47C 4/18; A47C 4/28;
A47C 4/54; A47C 11/00; A47C 9/007;
A47C 13/00; A47C 15/002; A47C 17/02;
A47C 31/11

See application file for complete search history.

(56) **References Cited**

U.S. PATENT DOCUMENTS

2,658,563	A *	11/1953	Nordmark	A47C 5/04 297/452.24
D186,658	S *	11/1959	Spilman	D6/374
2,936,024	A *	5/1960	Hendrickson	A47C 3/04 297/239
3,485,525	A *	12/1969	Spilman	A47C 3/04 297/239
D647,320	S *	10/2011	Young	D6/380
D651,426	S *	1/2012	Chiaramonte	D6/375
D836,358	S *	12/2018	Starck	D6/374
D869,185	S *	12/2019	Coirier	D6/370

* cited by examiner

Primary Examiner — R. Johnson

(74) *Attorney, Agent, or Firm* — Volpe Koenig

(57) **CLAIM**

The ornamental design for a chair, as shown and described.

DESCRIPTION

FIG. 1 is a rear perspective view of a chair showing my new design;

FIG. 2 is a bottom view of the chair of FIG. 1;

FIG. 3 is a front perspective view of the chair of FIG. 1;

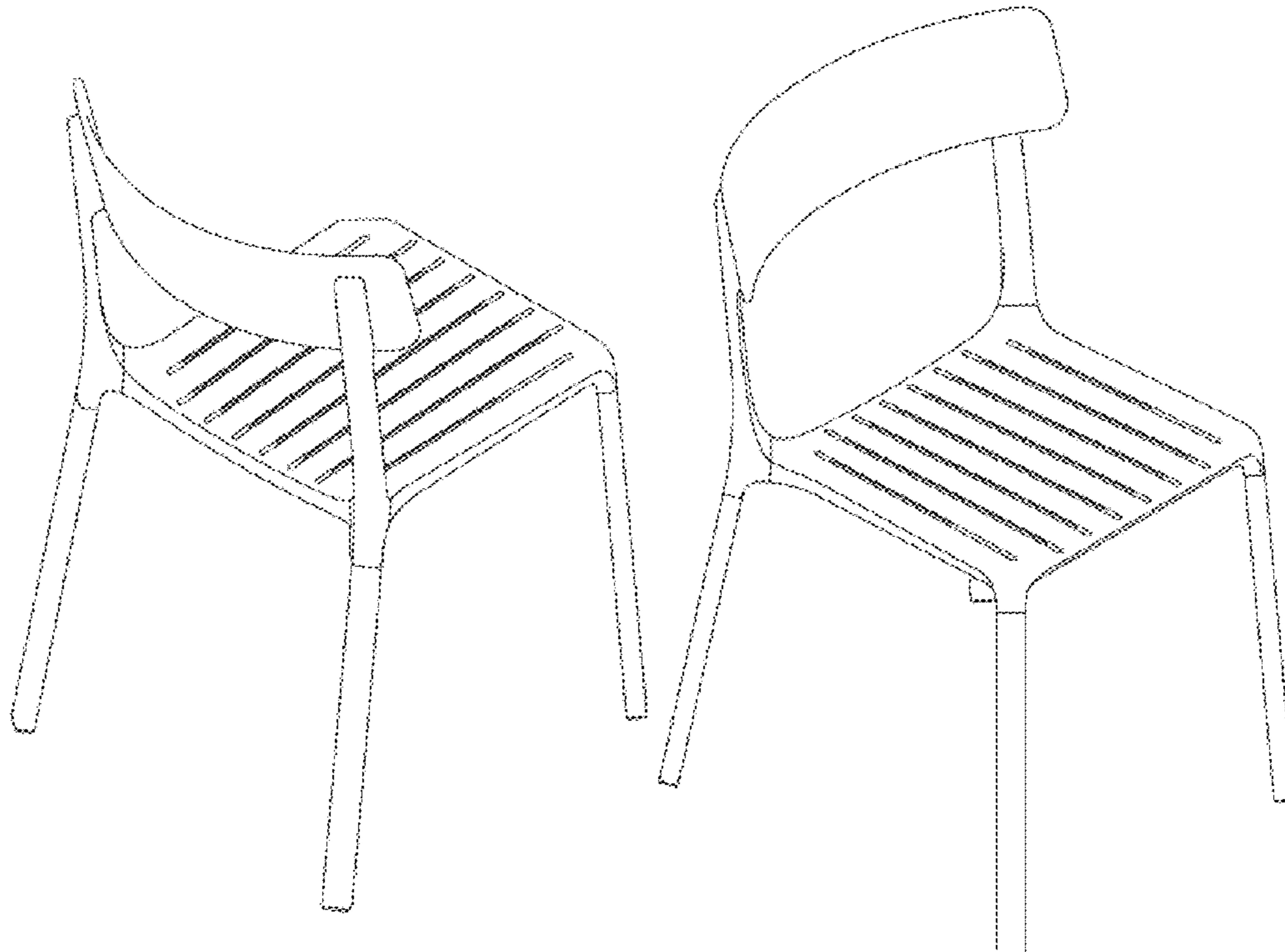
FIG. 4 is a front view of the chair of FIG. 1;

FIG. 5 is a right side view of the chair of FIG. 1, the left side being a mirror image thereof;

FIG. 6 is a rear view of the chair of FIG. 1; and,

FIG. 7 is a top view of the chair of FIG. 1.

1 Claim, 7 Drawing Sheets



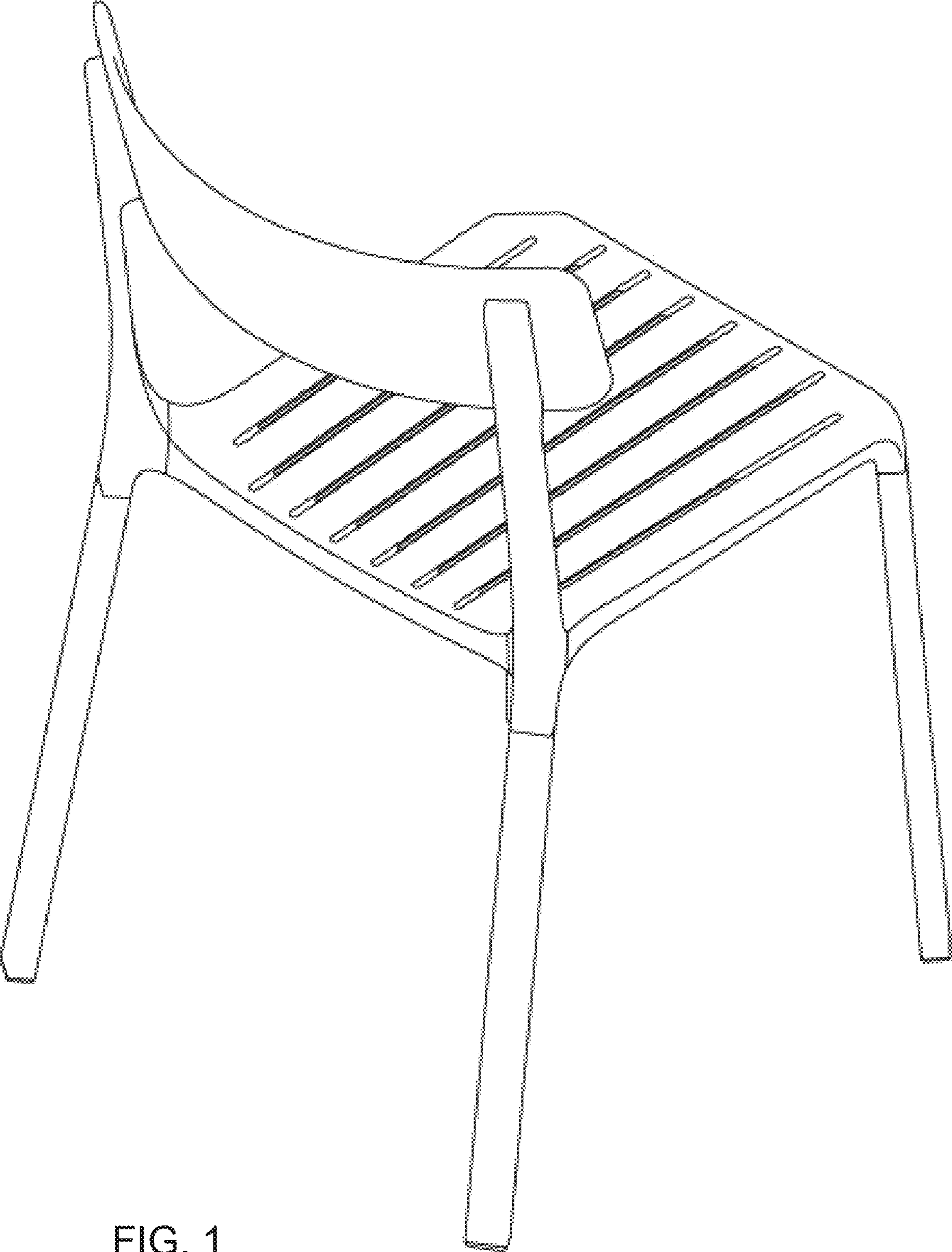


FIG. 1

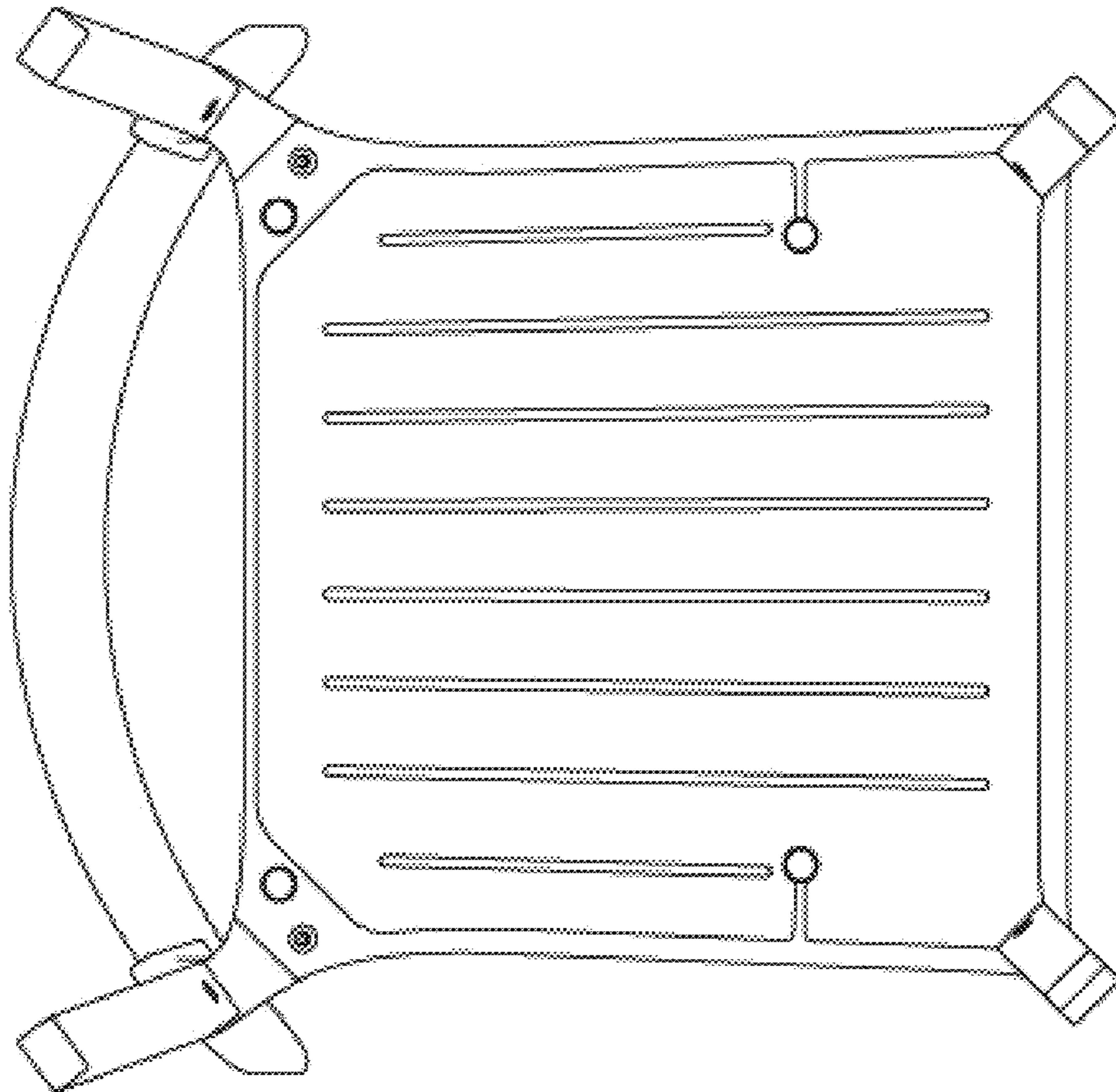


FIG. 2

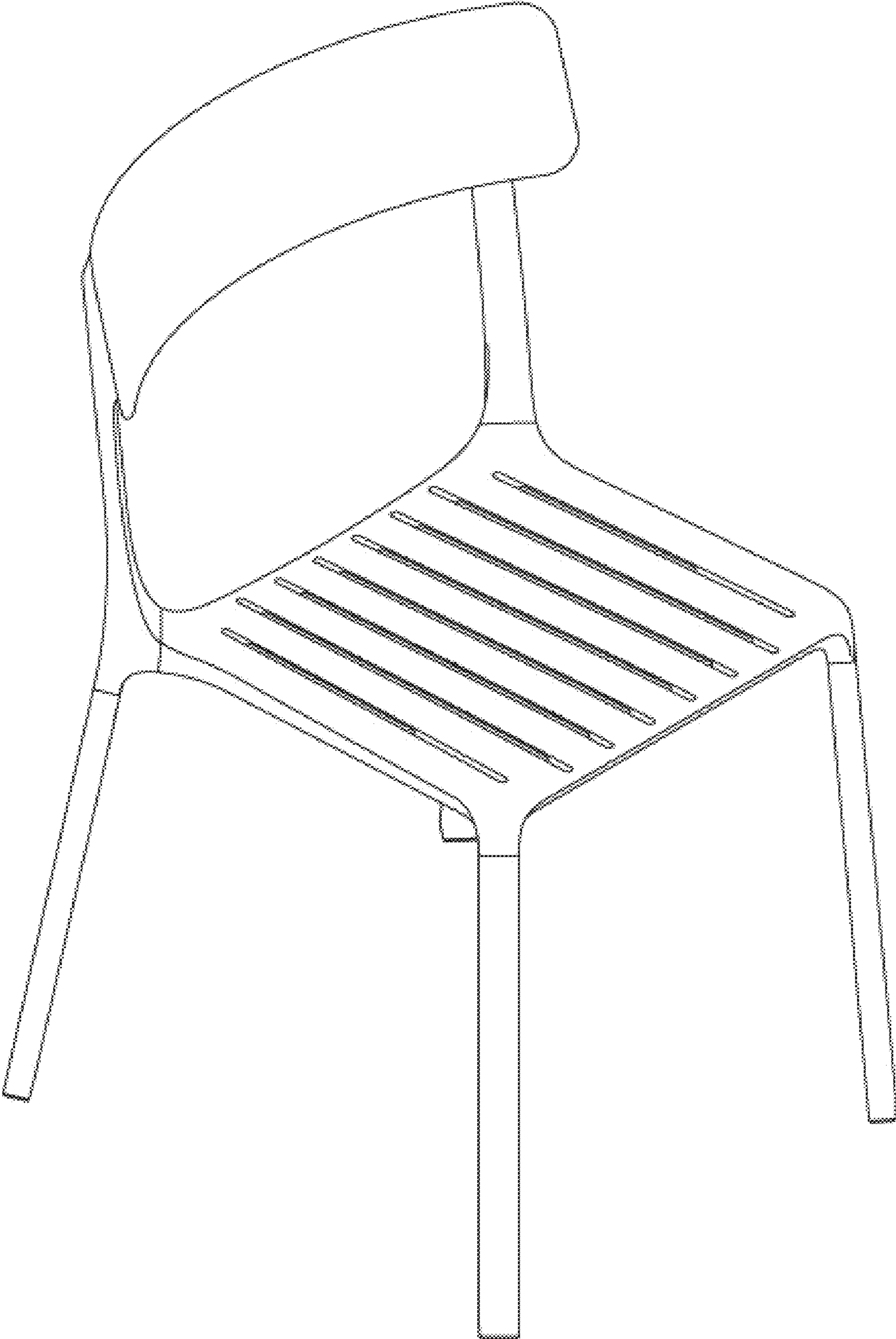


FIG. 3

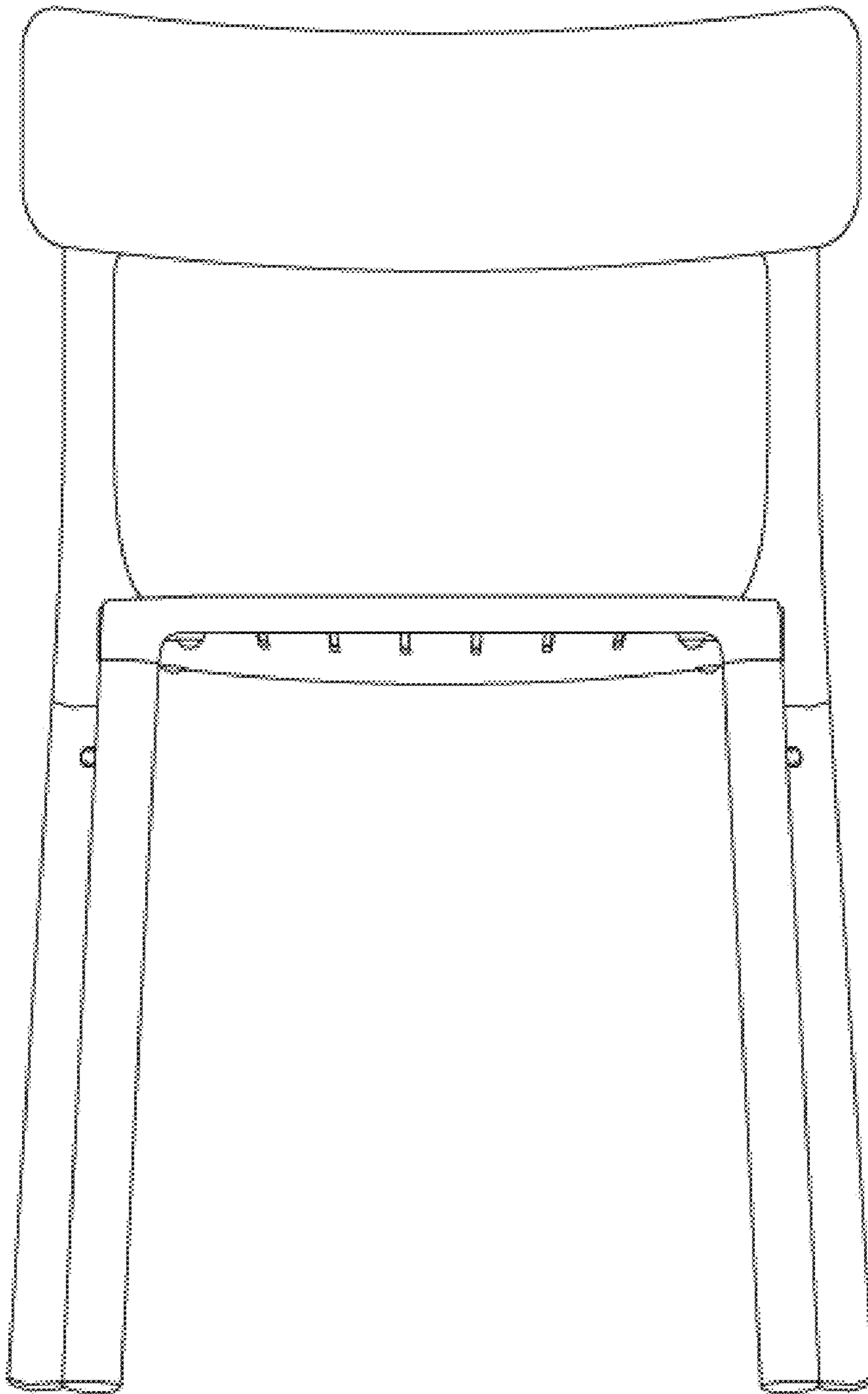


FIG. 4

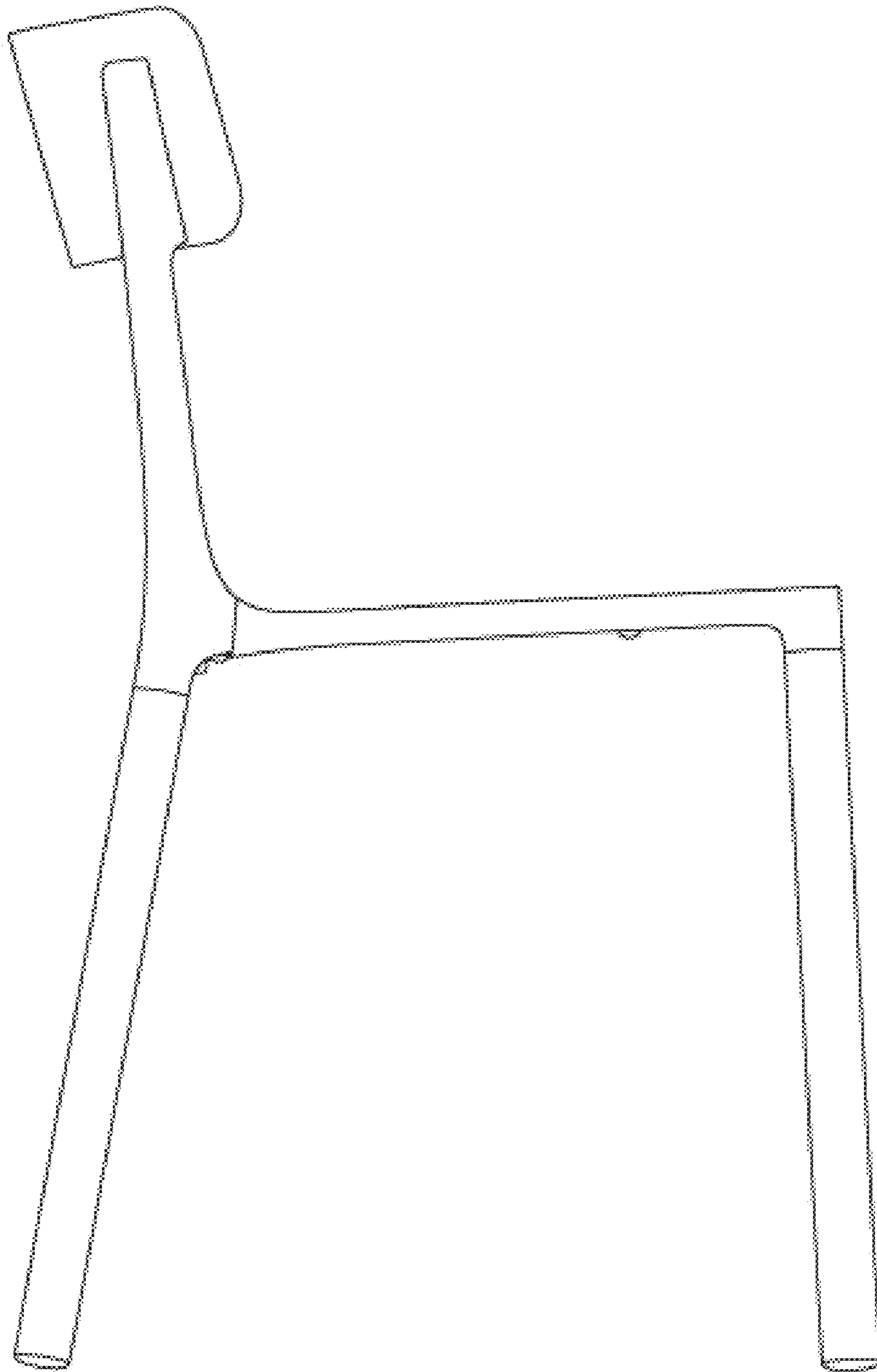


FIG. 5

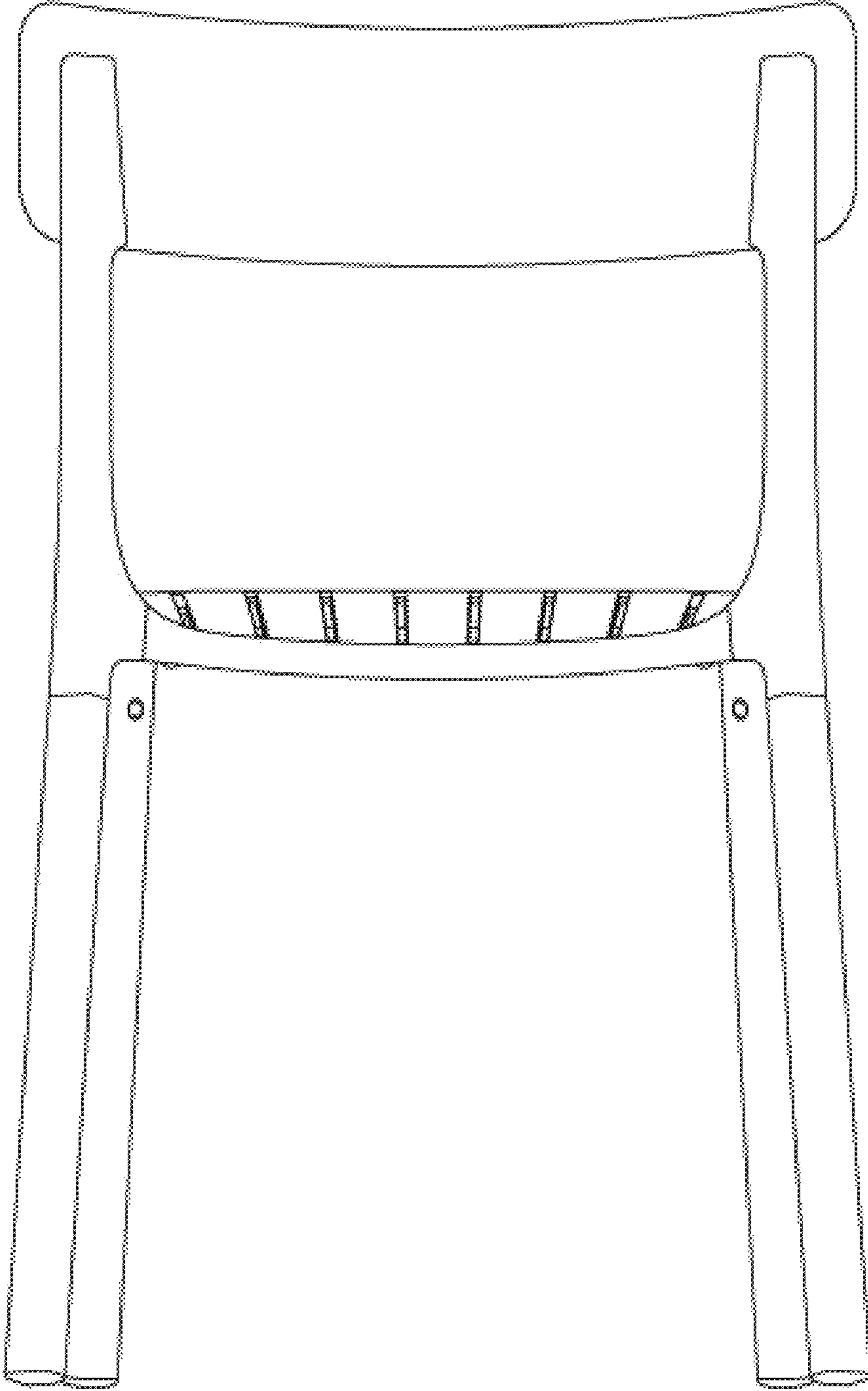


FIG. 6

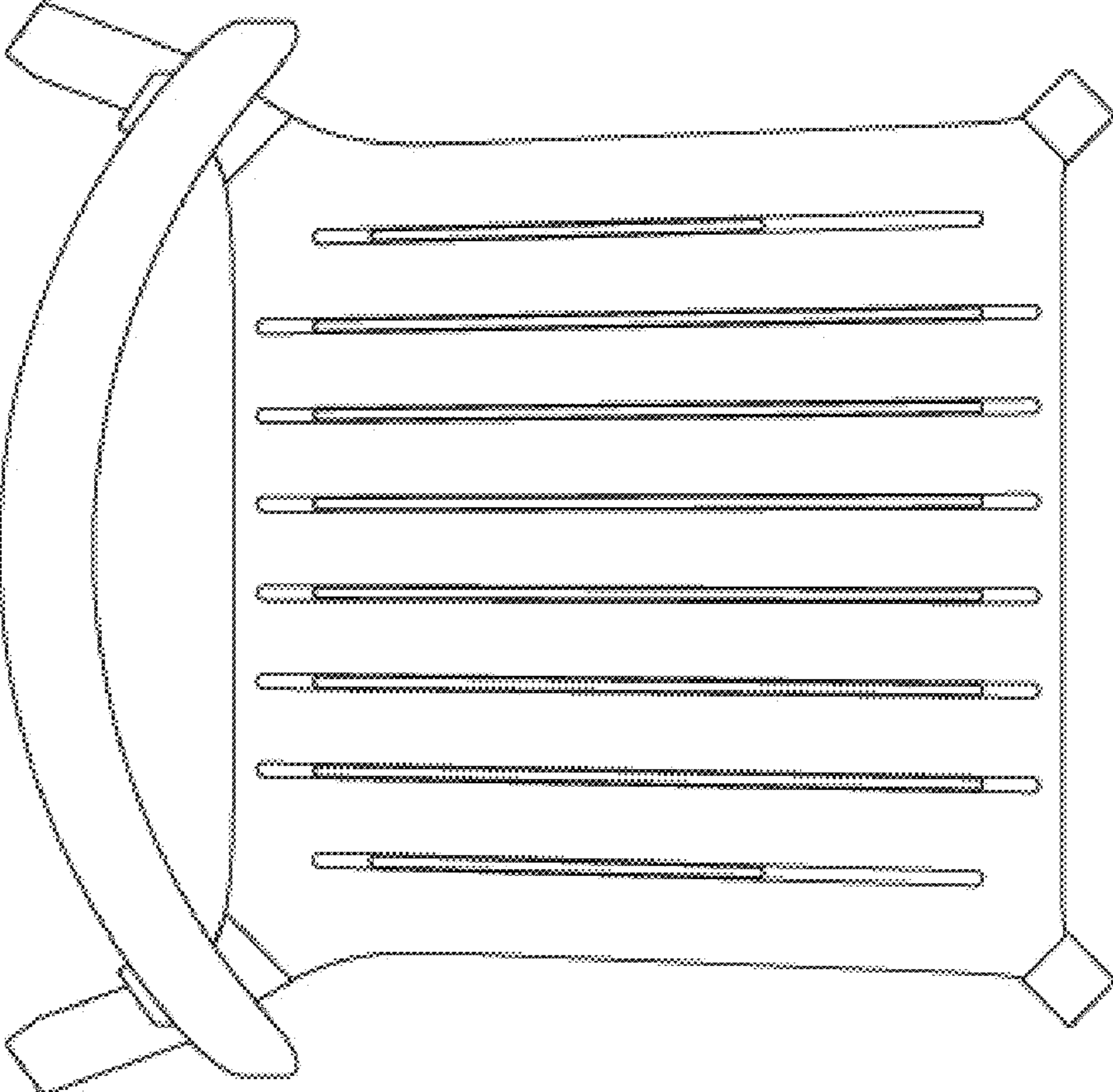


FIG. 7