



US00D899800S

(12) **United States Design Patent** (10) **Patent No.:** **US D899,800 S**  
**Li** (45) **Date of Patent:** **\*\* Oct. 27, 2020**

(54) **CHAIR**

(71) Applicant: **39F USA INC**, Rancho Cucamonga, CA (US)

(72) Inventor: **Yuehai Li**, Rancho Cucamonga, CA (US)

(\*\*) Term: **15 Years**

(21) Appl. No.: **29/694,416**

(22) Filed: **Jun. 10, 2019**

(51) **LOC (12) Cl.** ..... **06-01**

(52) **U.S. Cl.**  
USPC ..... **D6/366**

(58) **Field of Classification Search**  
USPC ..... D6/334, 344, 348, 364, 366, 369, 370, D6/371, 373, 381, 708, 716, 375, 716.3; D21/521, 695  
CPC ..... A47C 3/029; A47C 3/027; A47C 3/02; A47C 3/04; A47C 3/12; A47C 4/03; A47C 4/04; A47C 5/12; A47C 7/18; A47C 1/0246; A47C 7/44; A47D 13/10; Y10S 297/01  
See application file for complete search history.

D535,838 S *	1/2007	Ritch	.....	D6/366
D585,656 S *	2/2009	Massaud	.....	D6/366
D585,657 S *	2/2009	Massaud	.....	D6/366
D600,930 S *	9/2009	Overthun	.....	D6/366
D600,949 S *	9/2009	Overthun	.....	D6/366
D649,802 S *	12/2011	Breinholt	.....	D6/375
D705,587 S *	5/2014	Caruso	.....	D6/716
D730,097 S *	5/2015	Kubryk	.....	D6/716
D731,802 S *	6/2015	McKenna	.....	D6/366
D742,673 S *	11/2015	Dorigo	.....	D6/375
D759,397 S *	6/2016	Wu	.....	D6/366
D787,248 S *	5/2017	Jahns	.....	D6/366
D860,668 S *	9/2019	Magnusson	.....	D6/366

\* cited by examiner

*Primary Examiner* — Michael C Stout  
*Assistant Examiner* — Paul D Bohannon  
(74) *Attorney, Agent, or Firm* — Feng Qian

(57) **CLAIM**

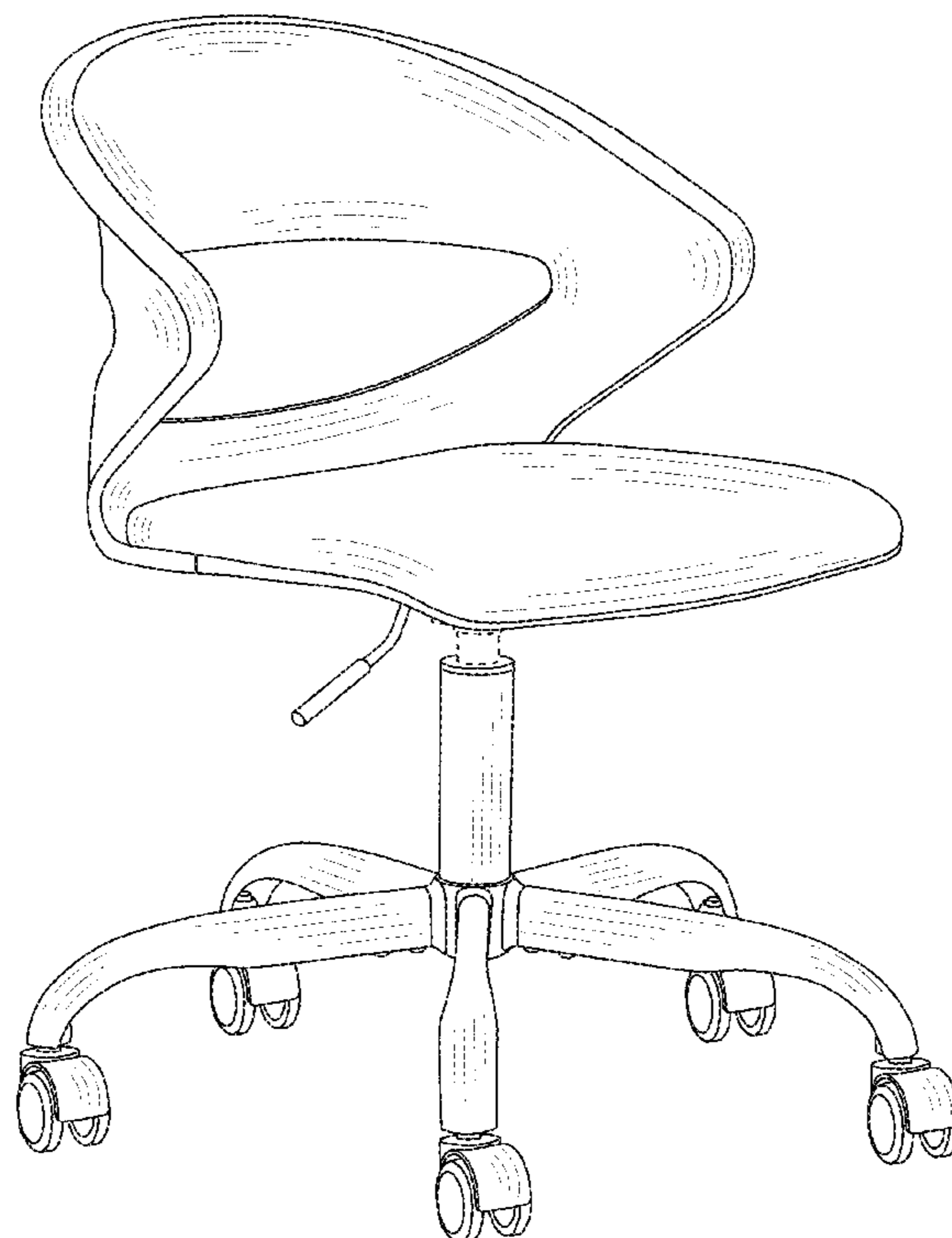
The ornamental design for a chair, as shown and described.

**DESCRIPTION**

FIG. 1 is a front perspective view of a chair showing ray new design;  
FIG. 2 is a front elevation view thereof;  
FIG. 3 is a rear elevation view thereof;  
FIG. 4 is a left-side elevation view thereof;  
FIG. 5 is a right-side elevation view thereof;  
FIG. 6 is a top plan view thereof; and,  
FIG. 7 is a bottom plan view thereof.  
The broken lines shown in the drawings are for the purpose of illustrating portions of the article, and form no part of the claimed design.

**1 Claim, 7 Drawing Sheets**

(56) **References Cited**  
U.S. PATENT DOCUMENTS  
D207,840 S \* 6/1967 Rodrigo ..... D6/375  
3,361,472 A \* 1/1968 Hasbrouck ..... A47C 1/0246  
297/362.14  
5,411,316 A \* 5/1995 Lovegrove ..... A47C 5/12  
297/452.15



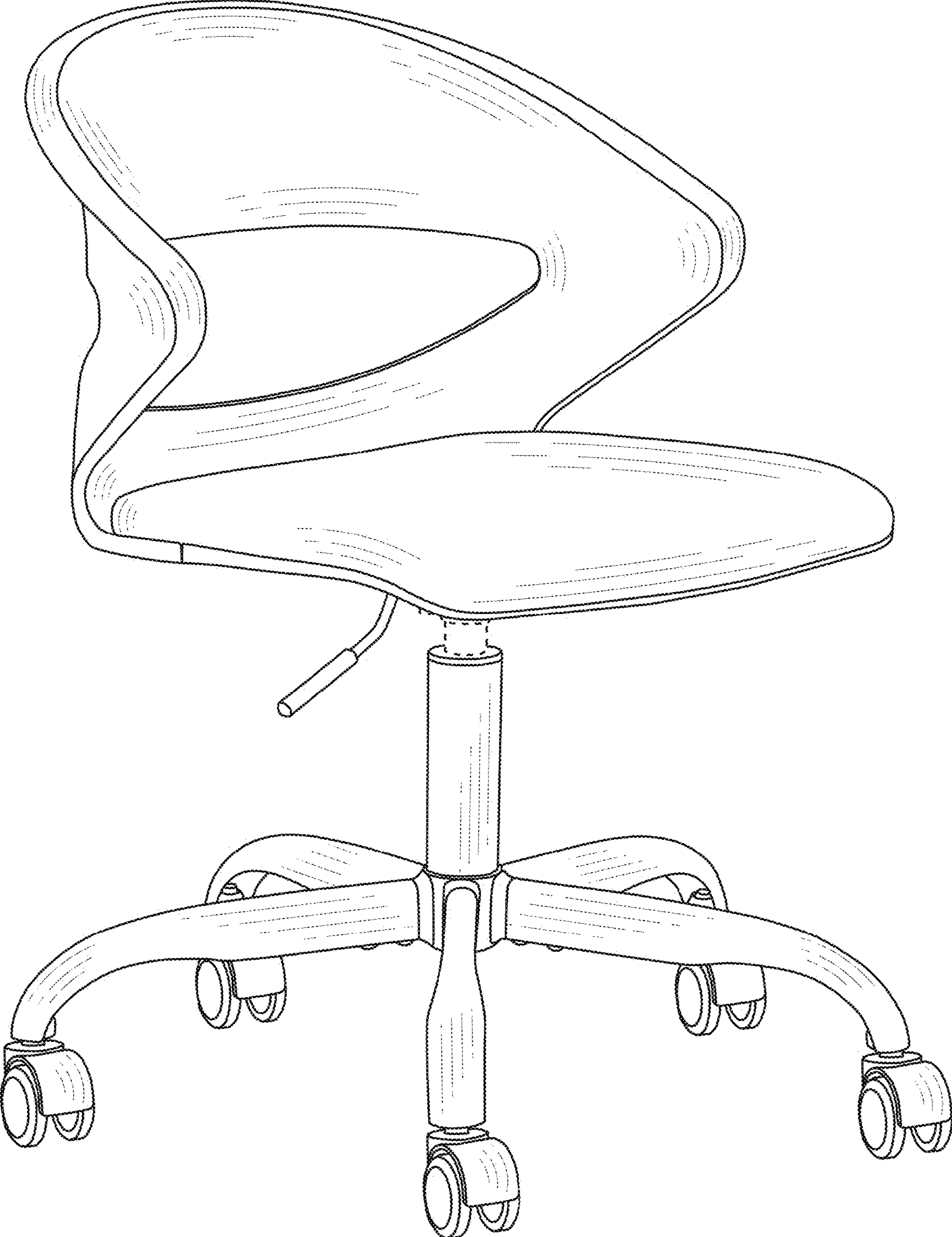


FIG. 1

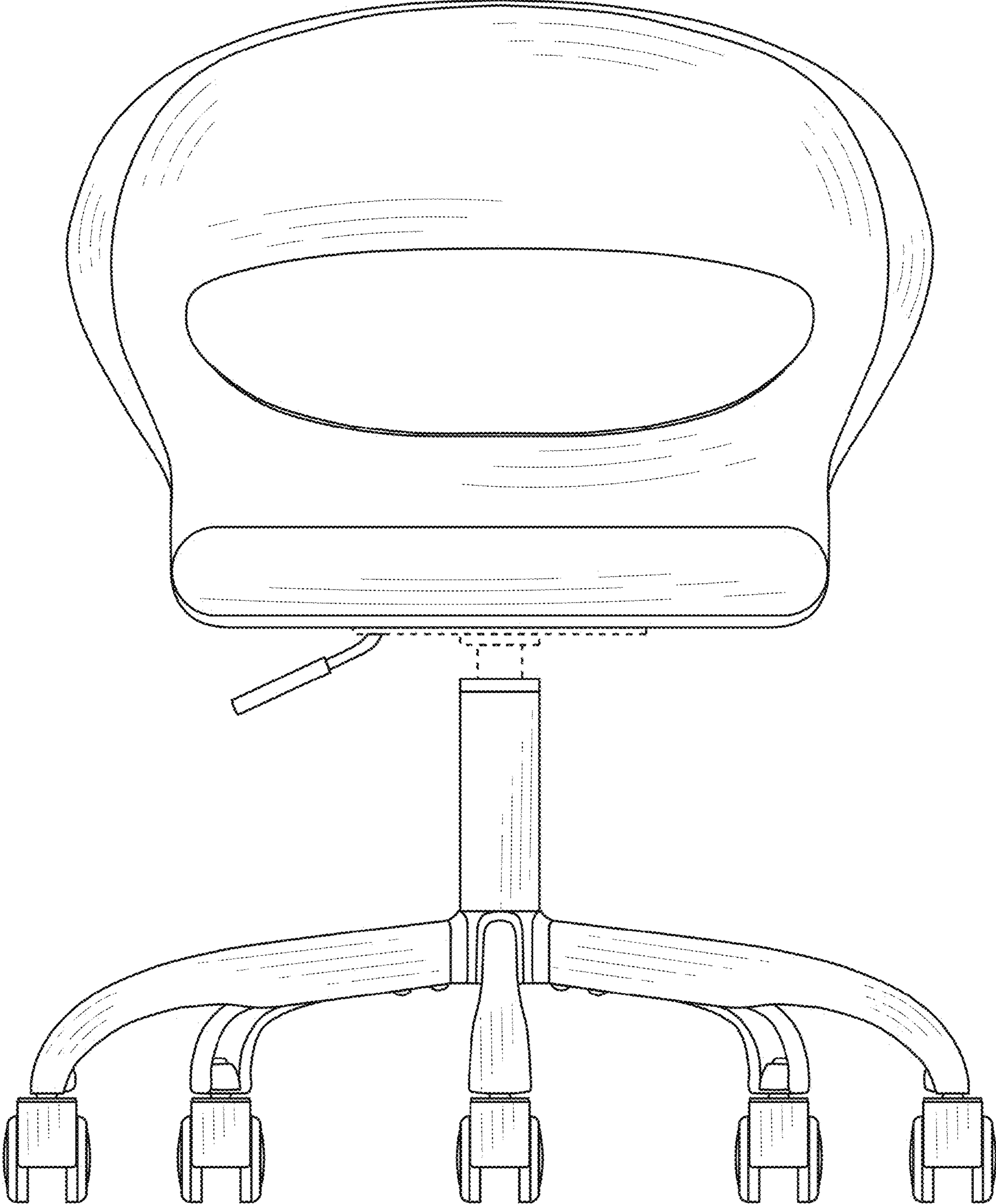


FIG. 2



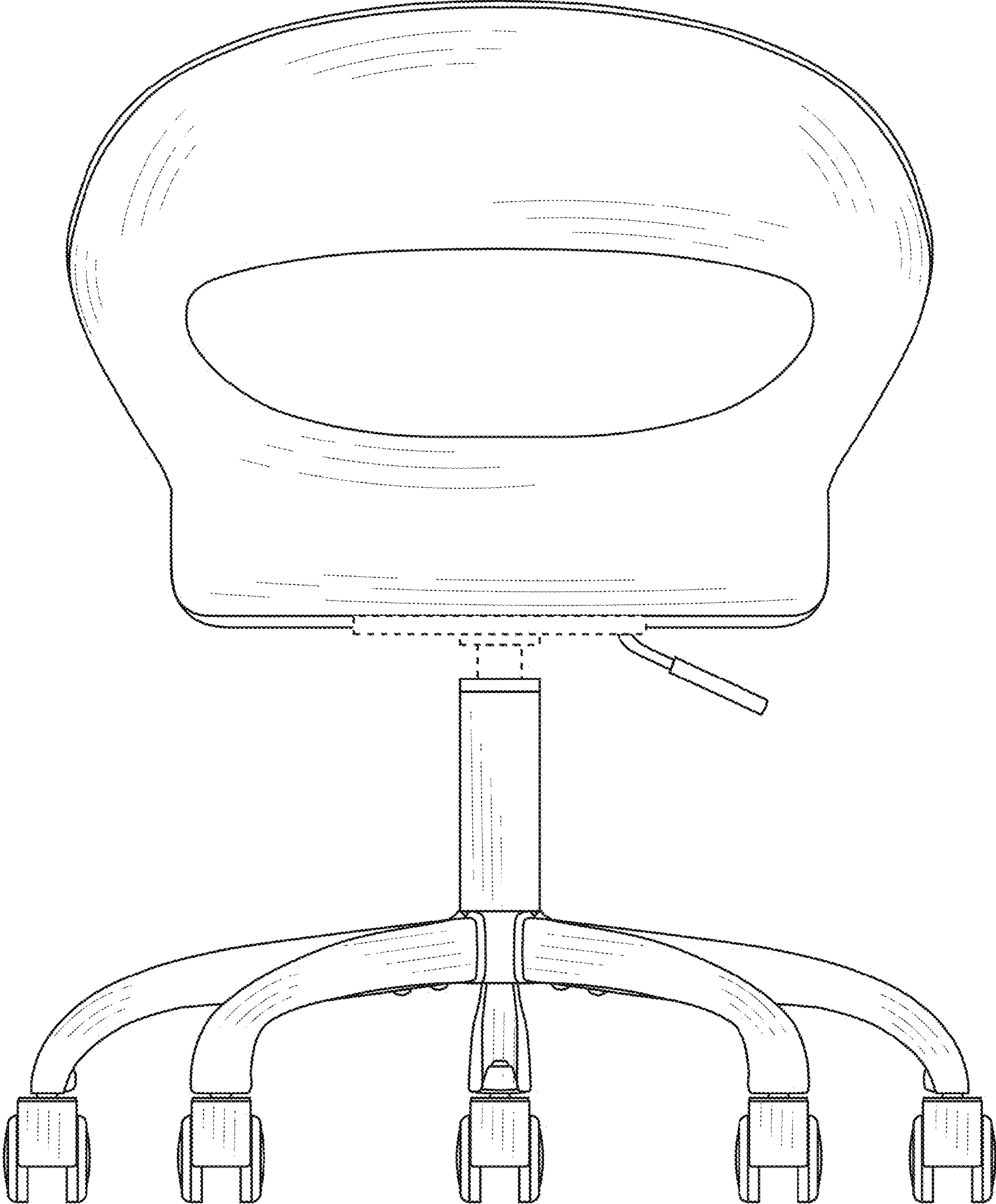


FIG. 3

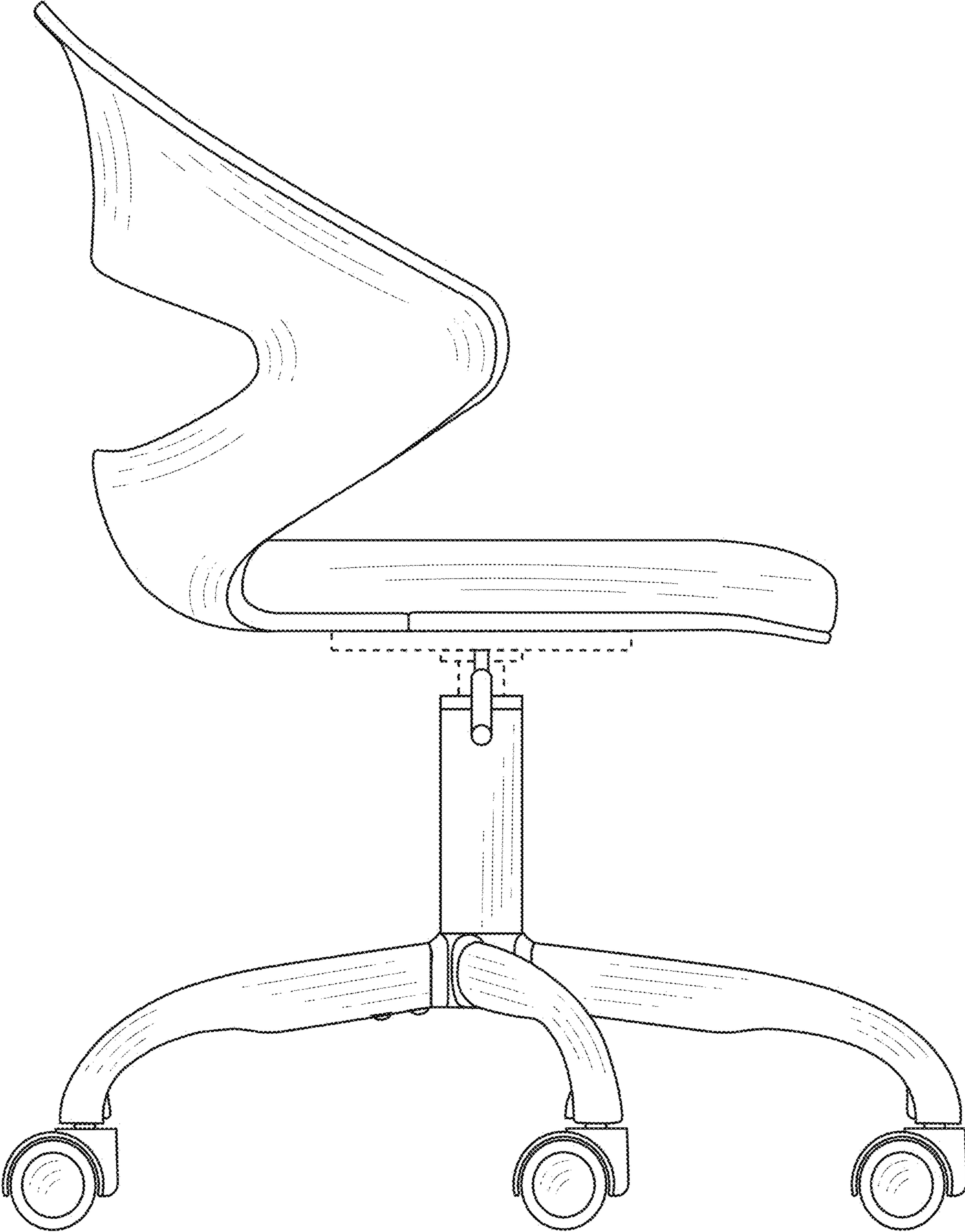


FIG. 4

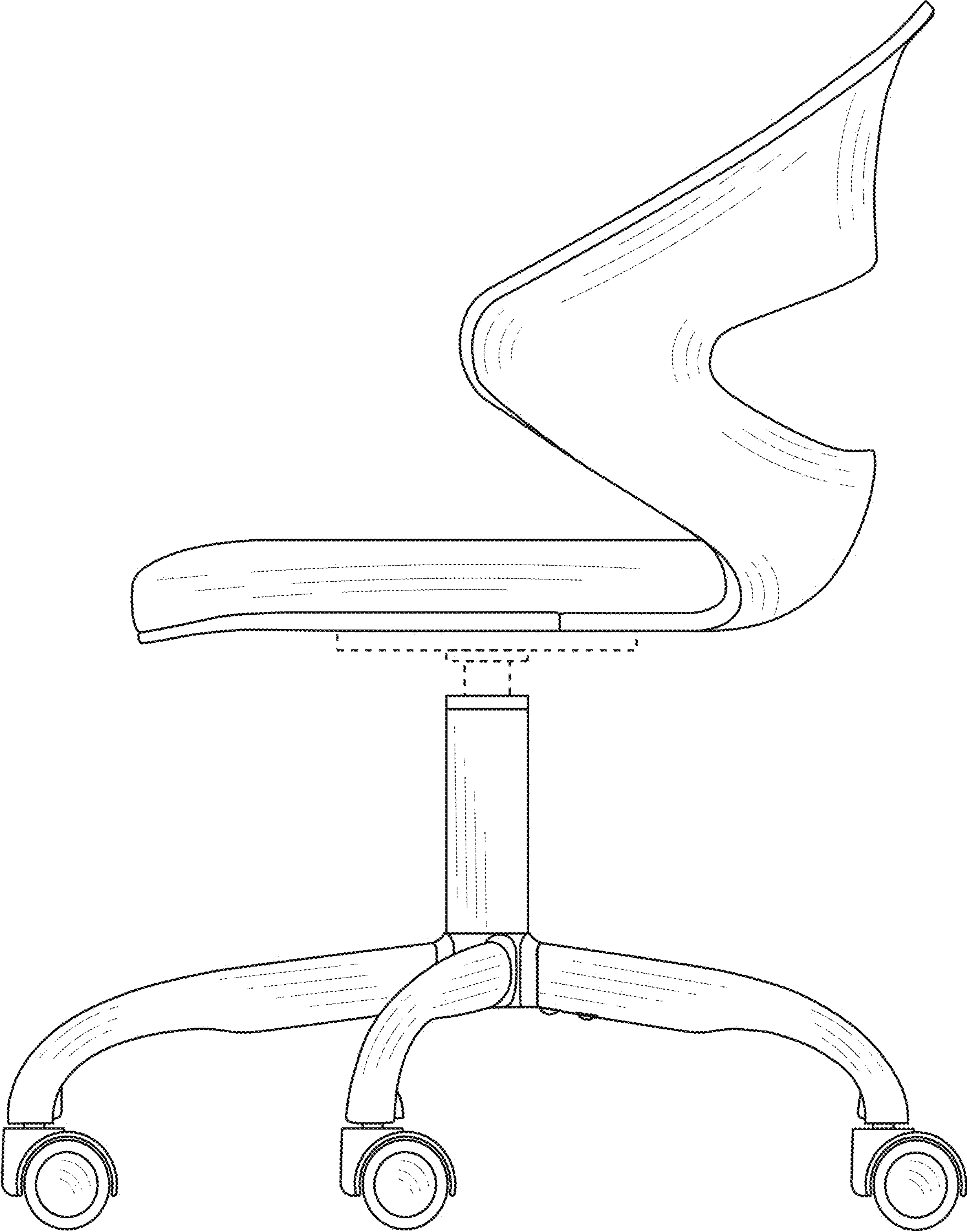


FIG. 5

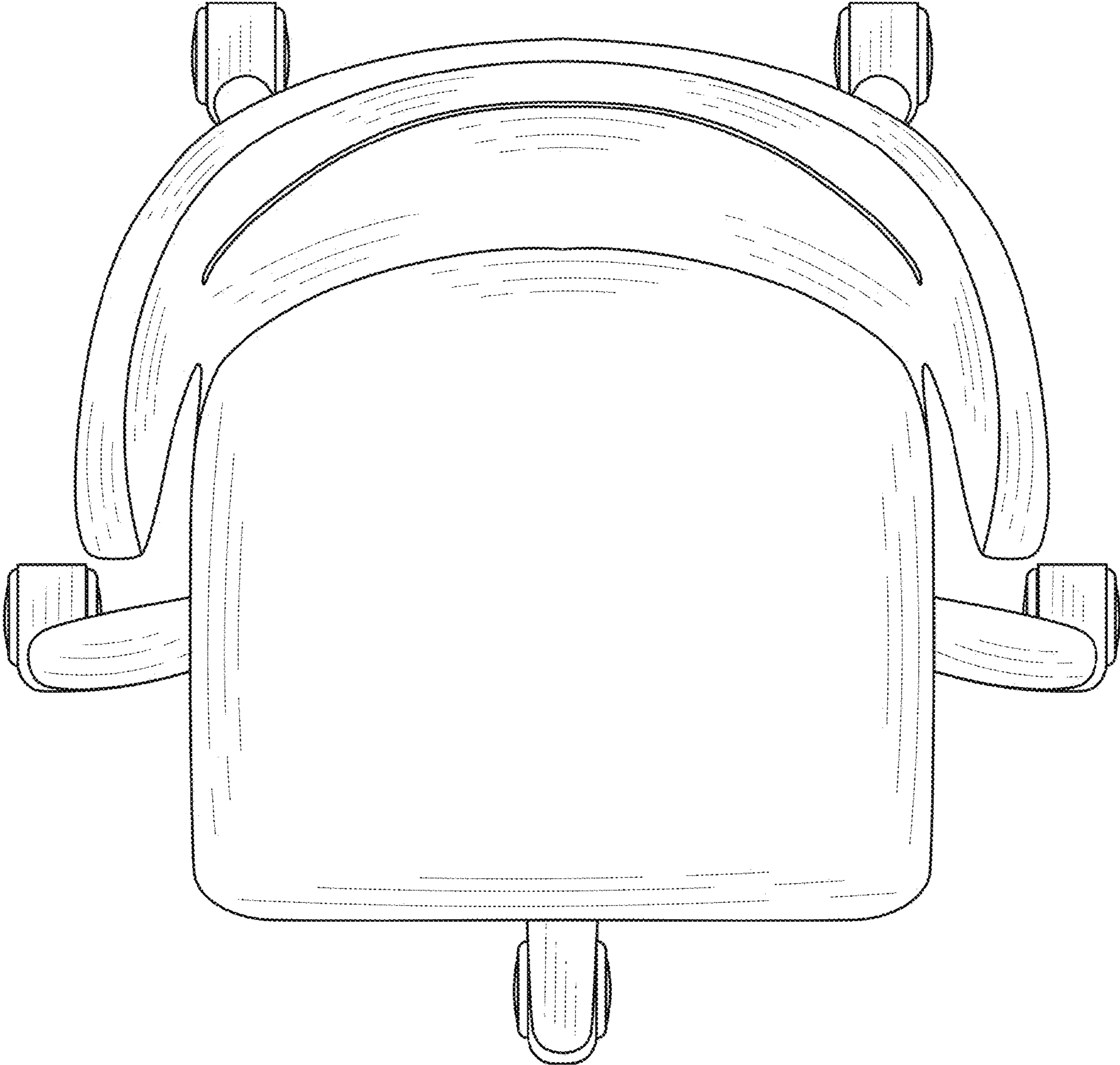


FIG. 6



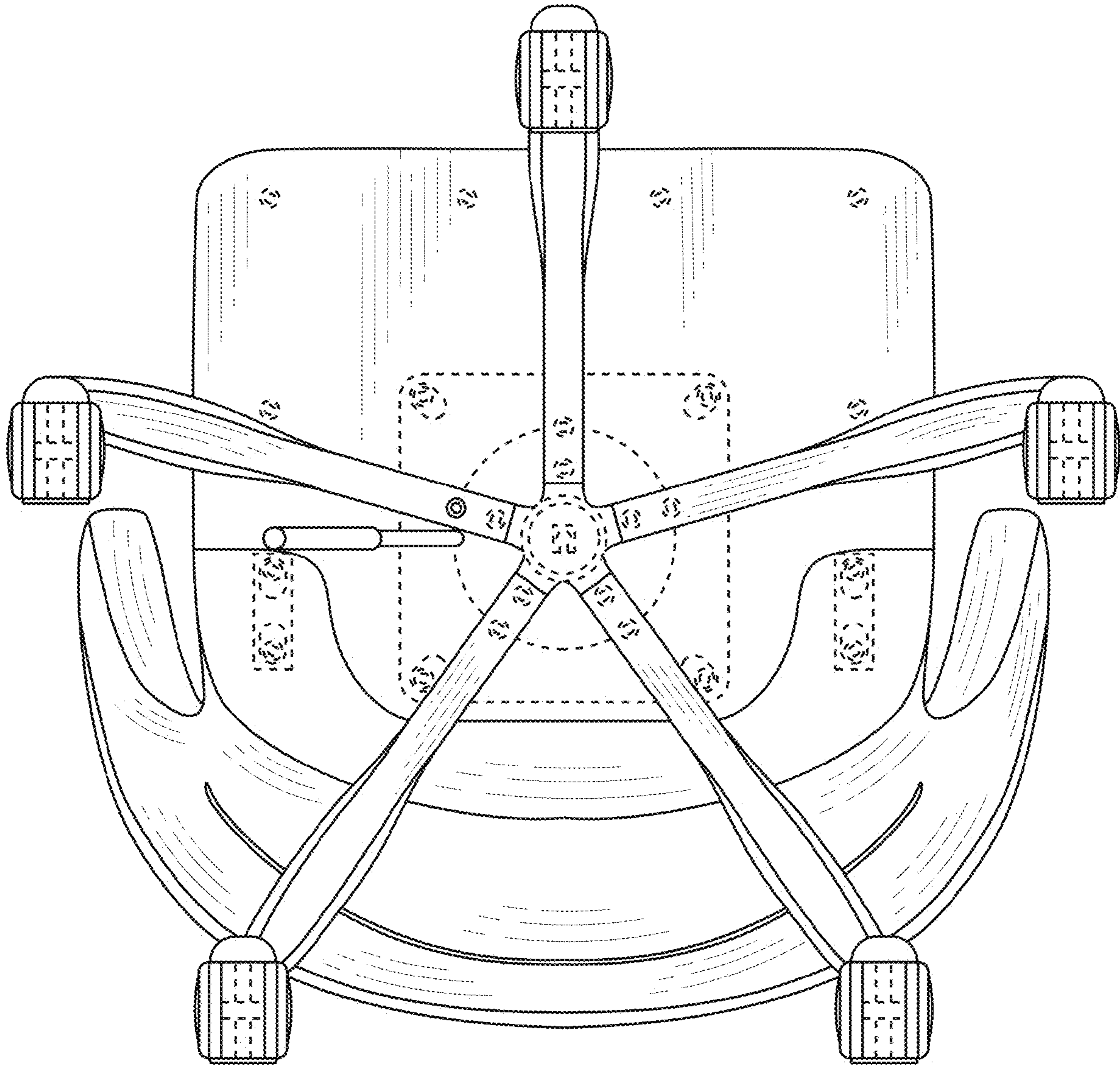


FIG. 7