



US00D899798S

(12) **United States Design Patent**  
**Stopa**

(10) **Patent No.:** **US D899,798 S**  
(45) **Date of Patent:** **\*\* Oct. 27, 2020**

- (54) **SEAT**
- (71) Applicant: **Przemyslaw Stopa, Warsaw (PL)**
- (72) Inventor: **Przemyslaw Stopa, Warsaw (PL)**
- (\*\*) Term: **15 Years**
- (21) Appl. No.: **29/694,265**
- (22) Filed: **Jun. 10, 2019**
- (51) **LOC (12) Cl.** ..... **06-01**
- (52) **U.S. Cl.**  
USPC ..... **D6/364**
- (58) **Field of Classification Search**  
USPC ..... D6/334, 349, 360, 362, 374-377, 379,  
D6/381, 716, 716.1, 719.3  
CPC .. A47C 1/00; A47C 1/02; A47C 1/024; A47C  
1/028; A47C 1/037; A47C 3/00; A47C  
3/04; A47C 3/14; A47C 3/20; A47C  
7/002; A47C 7/16; A47C 7/18; A47C  
4/04; A47C 4/08; A47C 4/18; A47C 4/28;  
A47C 4/54; A47C 11/00; A47C 9/007;  
A47C 13/00; A47C 15/002; A47C 17/02;  
A47C 31/11  
See application file for complete search history.

- (56) **References Cited**  
U.S. PATENT DOCUMENTS  
D211,170 S \* 5/1968 Carsello ..... D6/365  
D245,924 S \* 9/1977 Hansen ..... D25/35  
D282,970 S \* 3/1986 Parkin ..... D25/16  
D315,644 S \* 3/1991 White ..... D6/344  
D346,070 S \* 4/1994 Kither ..... D6/333

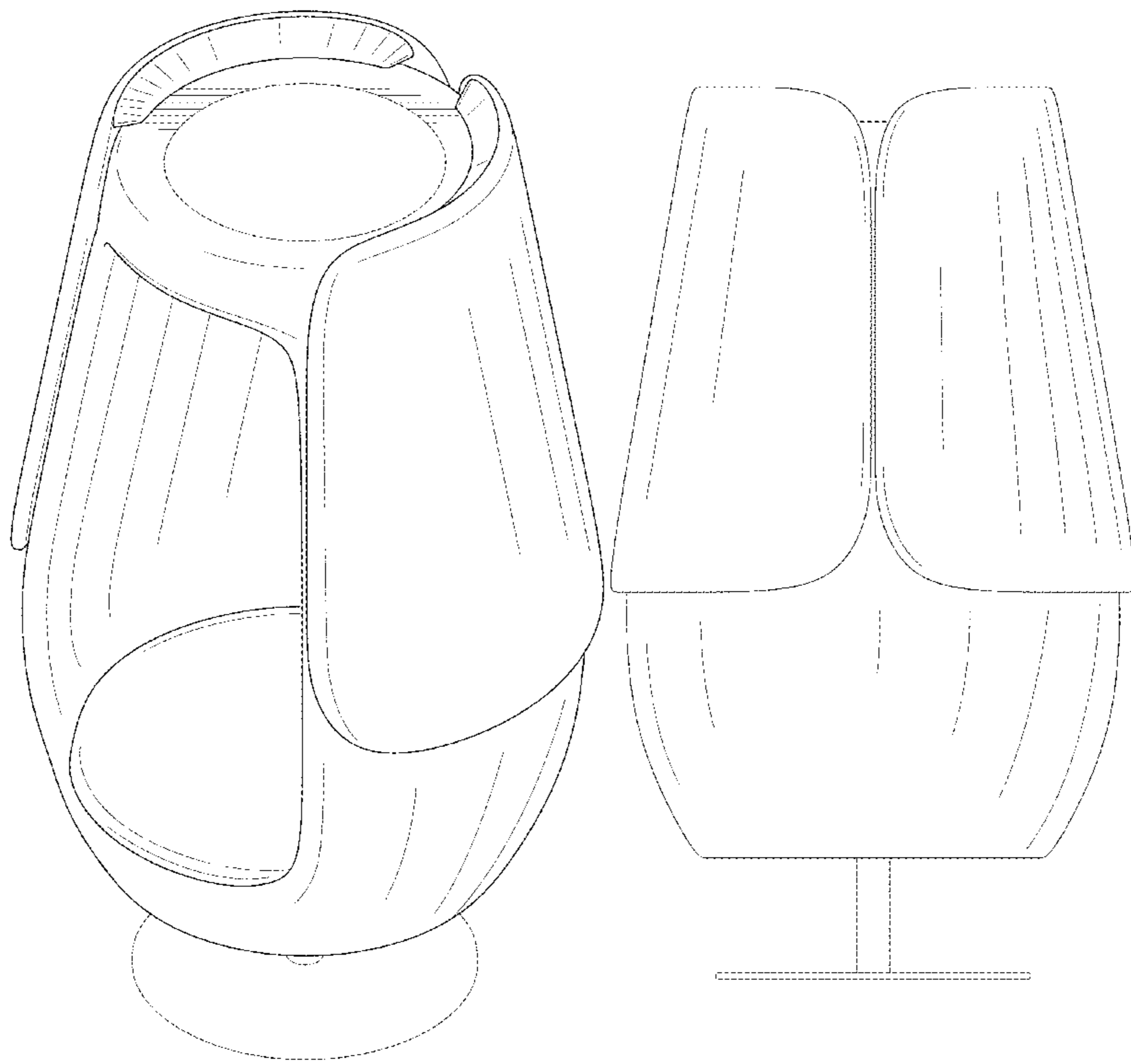
- D420,520 S \* 2/2000 Johnston ..... D6/334
- D503,047 S \* 3/2005 Ryan ..... D6/365
- D855,337 S \* 8/2019 Kawakami ..... D6/349
- D885,069 S \* 5/2020 McNeill ..... D6/344
- D885,070 S \* 5/2020 McNeill ..... D6/344
- 2006/0169284 A1\* 8/2006 Meyer ..... A61G 10/026  
128/205.26
- 2016/0107095 A1\* 4/2016 Fries ..... A63H 33/008  
472/136
- 2018/0104578 A1\* 4/2018 Travis ..... A47C 7/004

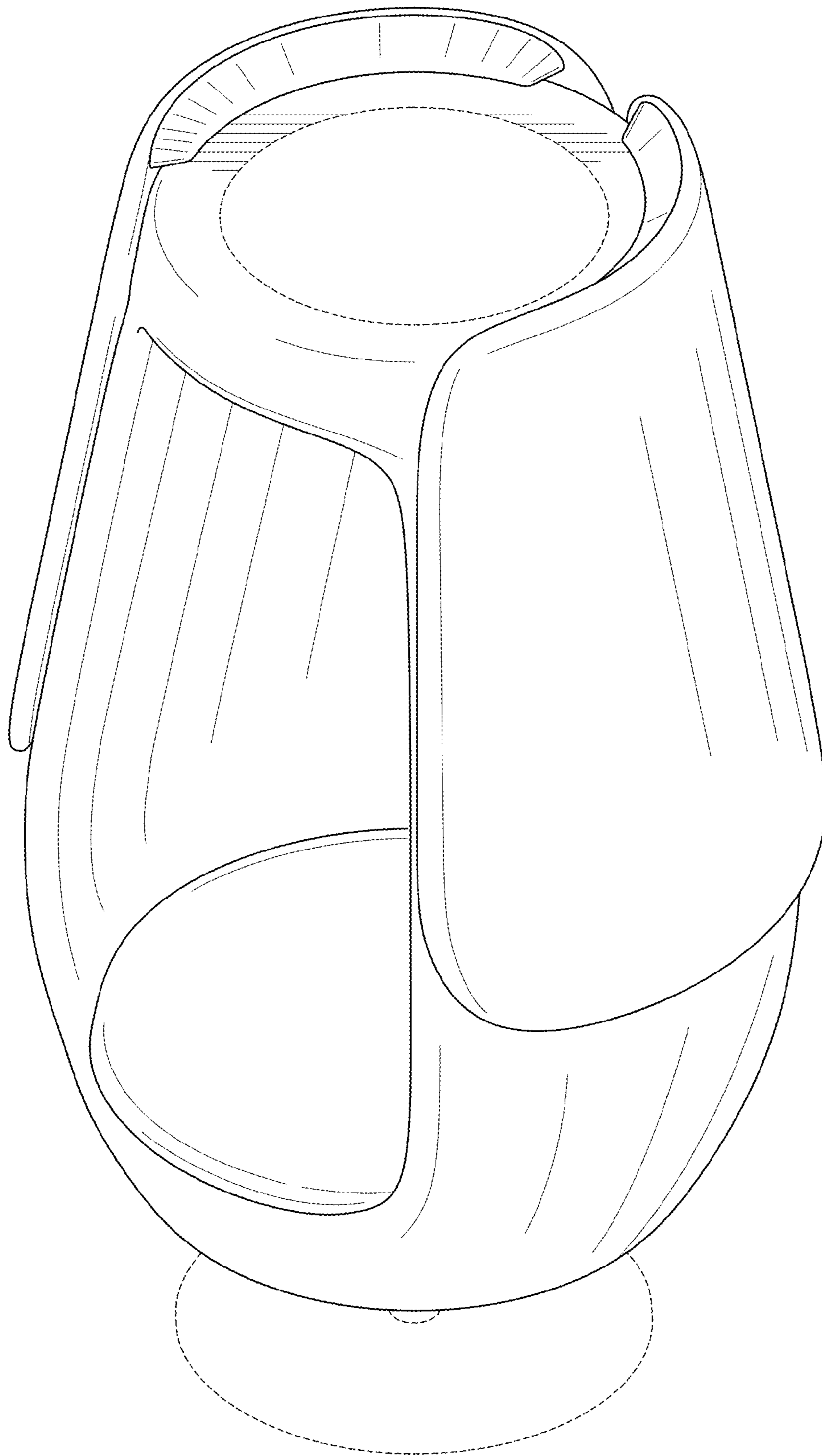
\* cited by examiner  
*Primary Examiner* — R. Johnson  
(74) *Attorney, Agent, or Firm* — Mark M. Friedman

(57) **CLAIM**  
The ornamental design for a seat, as shown and described.

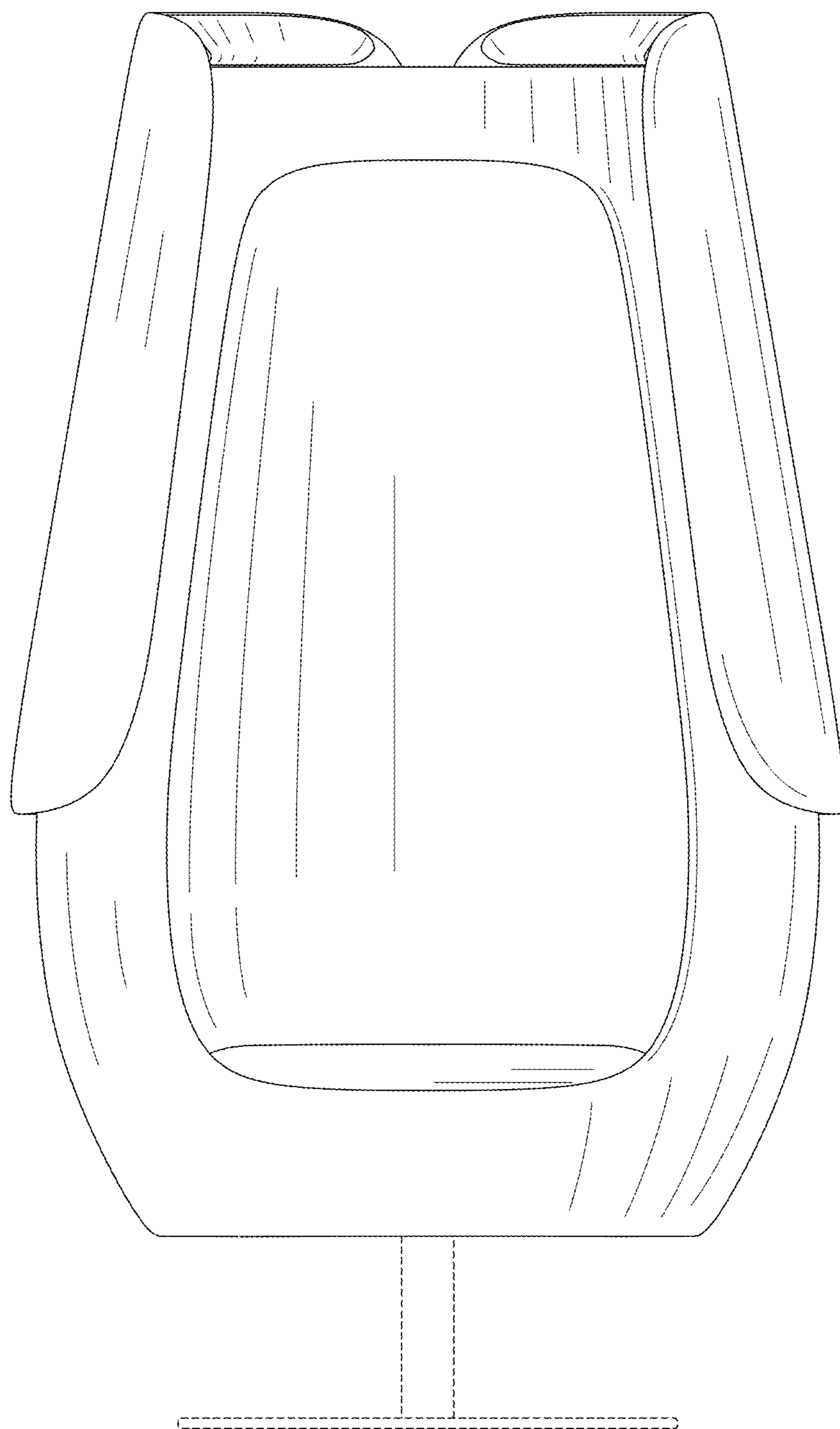
**DESCRIPTION**  
FIG. 1 is a top right front perspective view of a seat showing my new design;  
FIG. 2 is a front view thereof;  
FIG. 3 is a rear view thereof;  
FIG. 4 is a left side view thereof, the right side being a mirror image;  
FIG. 5 is a top view thereof;  
FIG. 6 is a bottom view thereof; and,  
FIG. 7 is another bottom view thereof, with the illustration of the disclaimed bottom portion removed.  
The broken lines shown in the drawings illustrate portions of the seat that form no part of the claimed design.

**1 Claim, 6 Drawing Sheets**

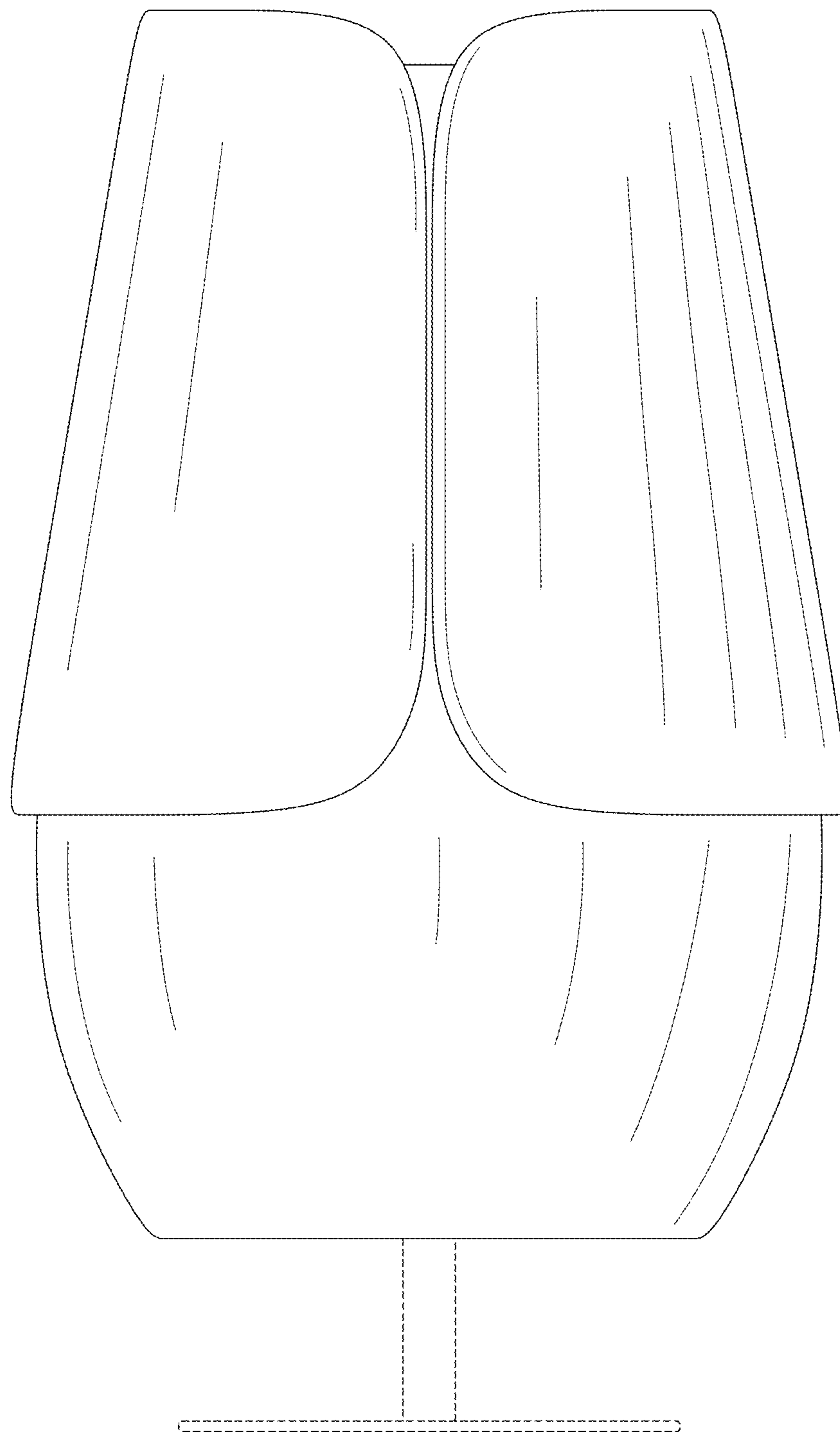




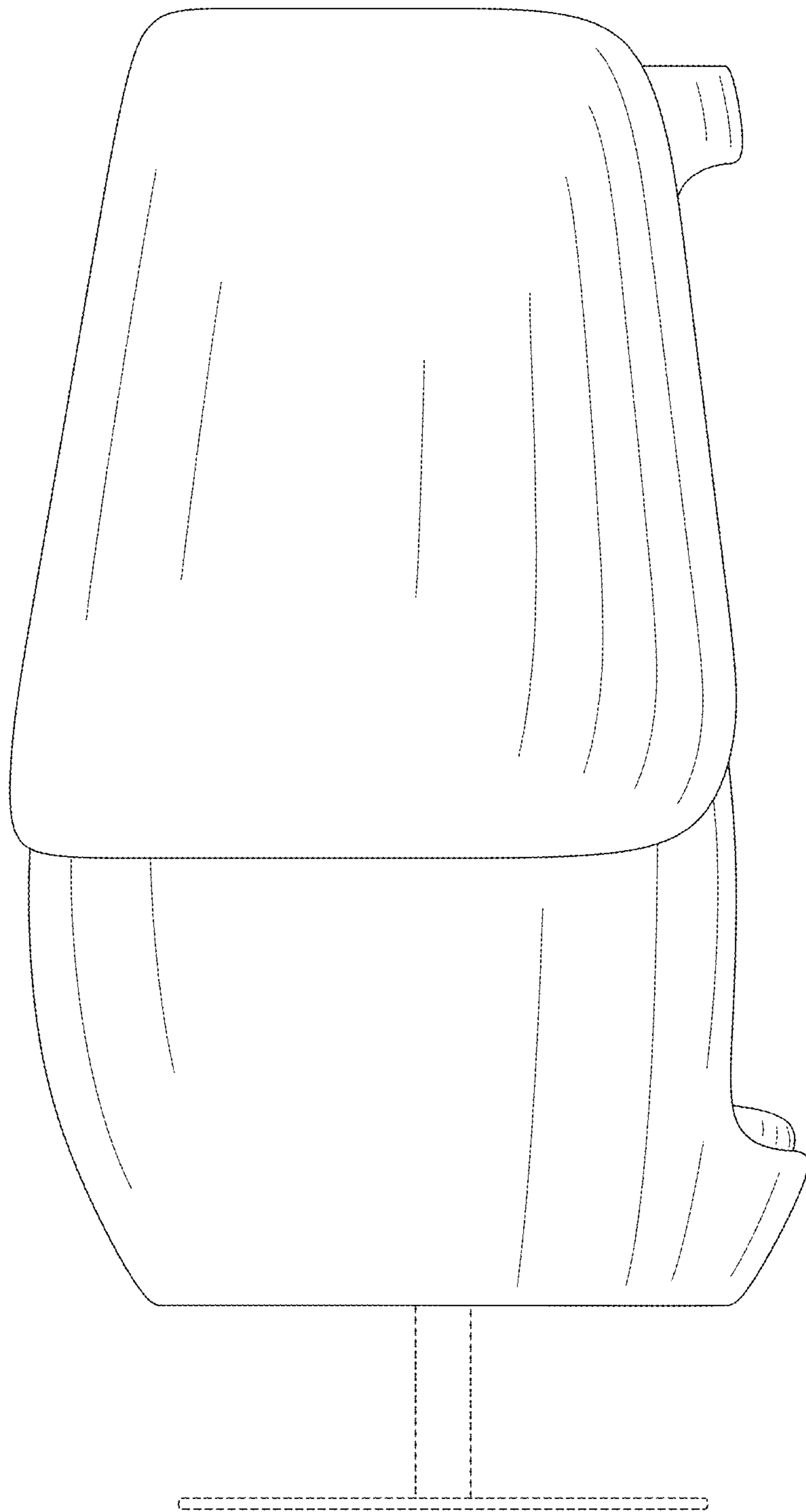
*FIG. 1*



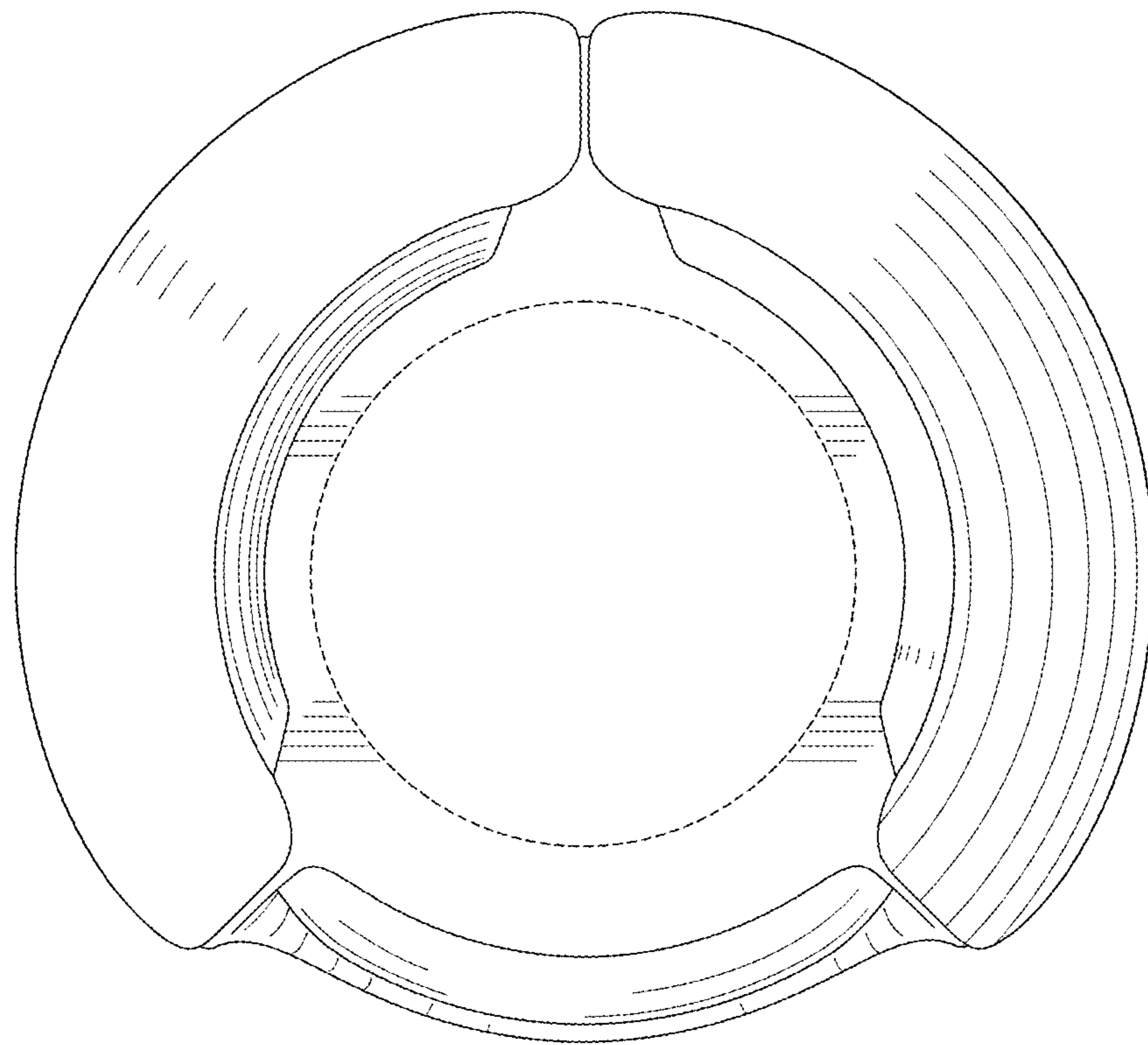
*FIG. 2*



*FIG. 3*

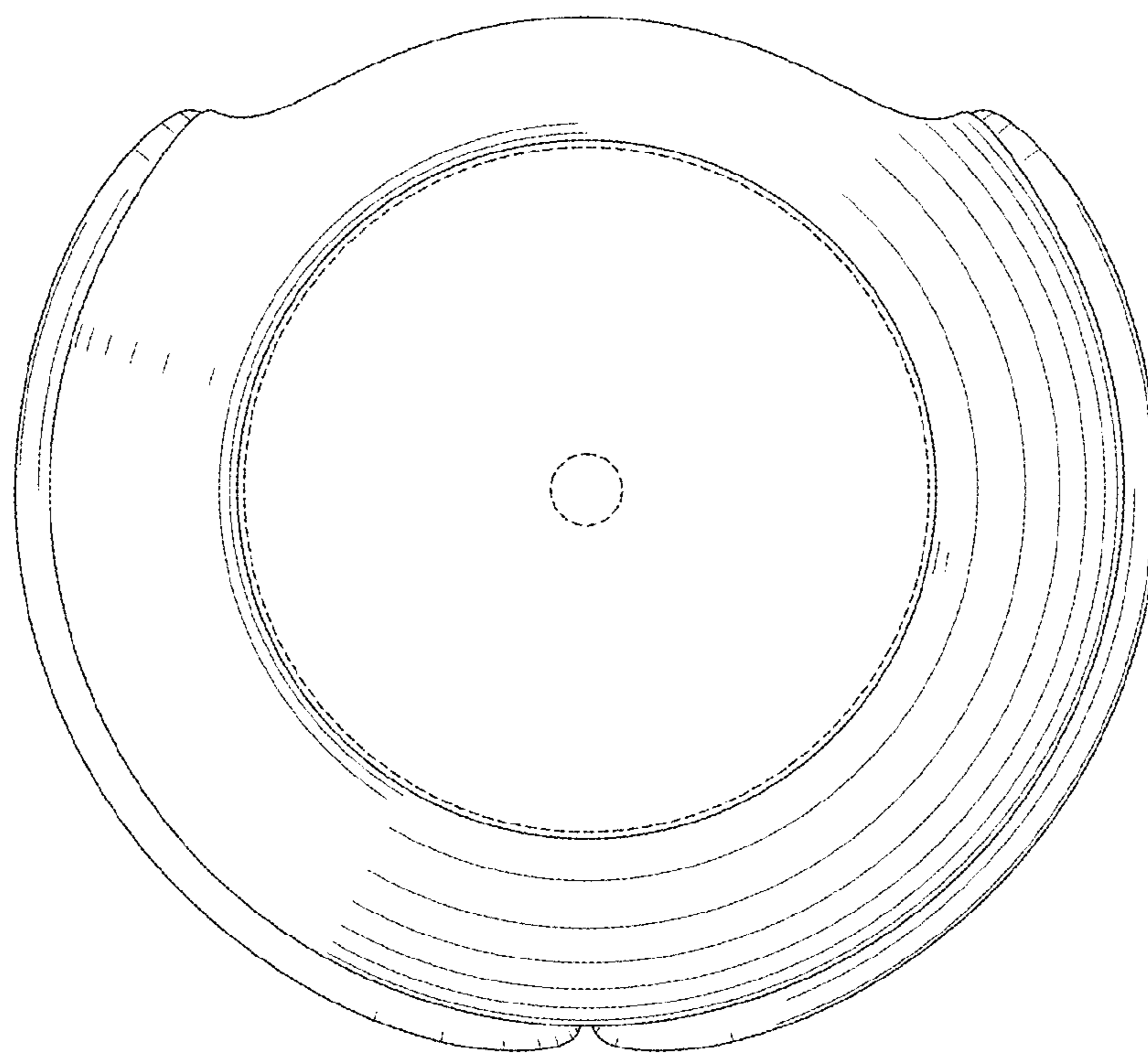


*FIG. 4*

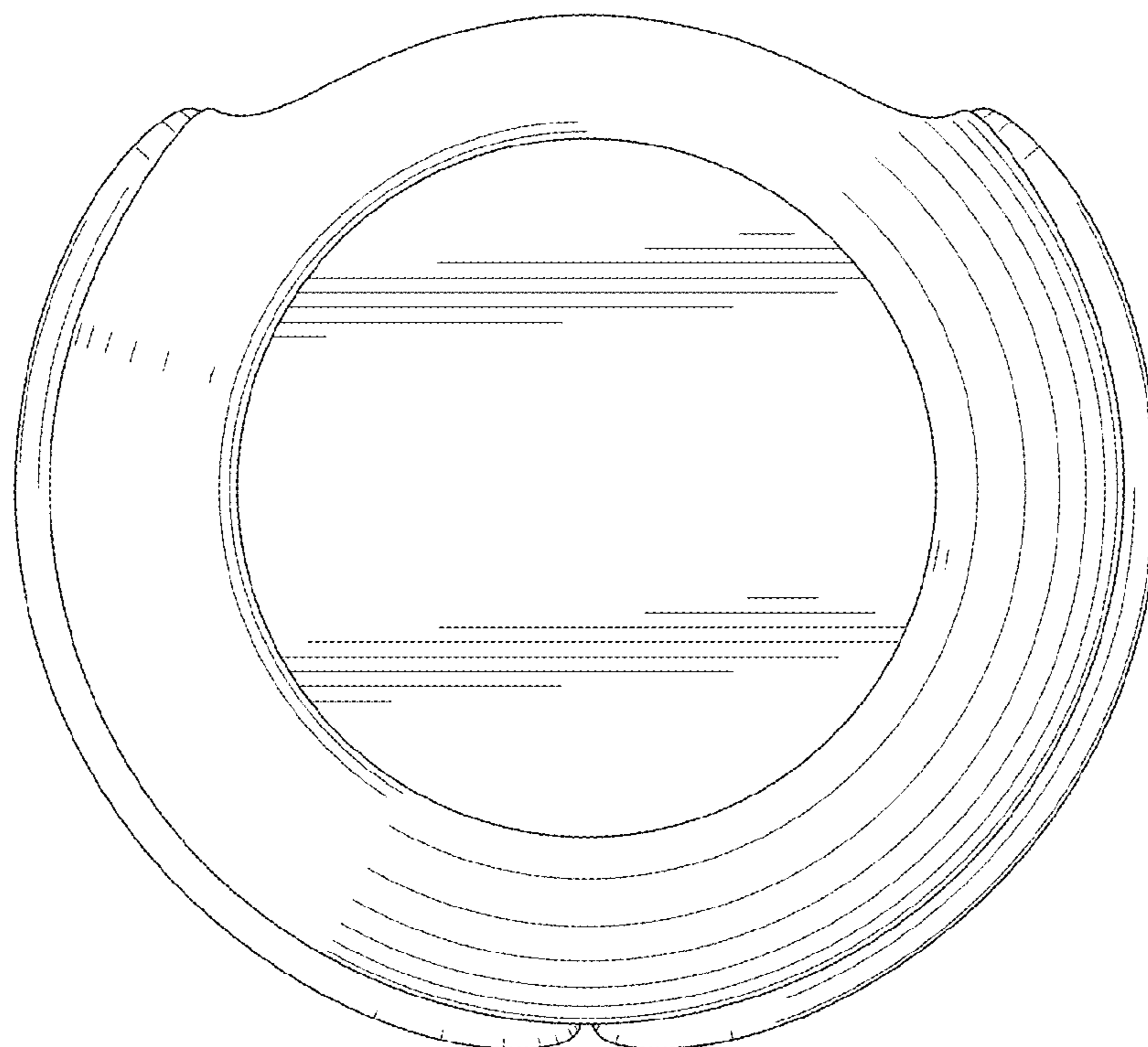


*FIG. 5*





*FIG. 6*



*FIG. 7*