

US00D899785S

(12) **United States Design Patent** (10) **Patent No.:** **US D899,785 S**
Eggink (45) **Date of Patent:** **** Oct. 27, 2020**

(54) **TOOL STAND**
(71) Applicant: **Kevin Eggink**, Glenwood City, WI (US)
(72) Inventor: **Kevin Eggink**, Glenwood City, WI (US)
(**) Term: **15 Years**
(21) Appl. No.: **29/643,402**
(22) Filed: **Apr. 9, 2018**
(51) **LOC (12) Cl.** **04-99**
(52) **U.S. Cl.**
USPC **D4/199**
(58) **Field of Classification Search**
USPC D4/128, 129, 131, 136, 138, 108, 109, D4/119; D32/35, 51; 15/104.5, 104.16, 15/104.2, 104.31, 104.32, 164, 165, 206; D28/65; D7/682; 452/298, 458
CPC A46B 7/026; A46B 5/005; A46B 17/04; A46B 2200/1046
See application file for complete search history.

D681,344 S * 5/2013 Davis D4/138
D781,599 S * 3/2017 Dobson, III D4/199
D785,951 S * 5/2017 Rosenzweig D4/199
D837,533 S * 1/2019 Zemel D4/199
D863,783 S * 10/2019 Meyer D4/199
D864,587 S * 10/2019 Lentini D4/199

* cited by examiner

Primary Examiner — Austin Murphy
(74) *Attorney, Agent, or Firm* — Skinner and Associates; Joel D. Skinner, Jr.

(57) **CLAIM**

The ornamental design for a tool stand, as shown and described.

DESCRIPTION

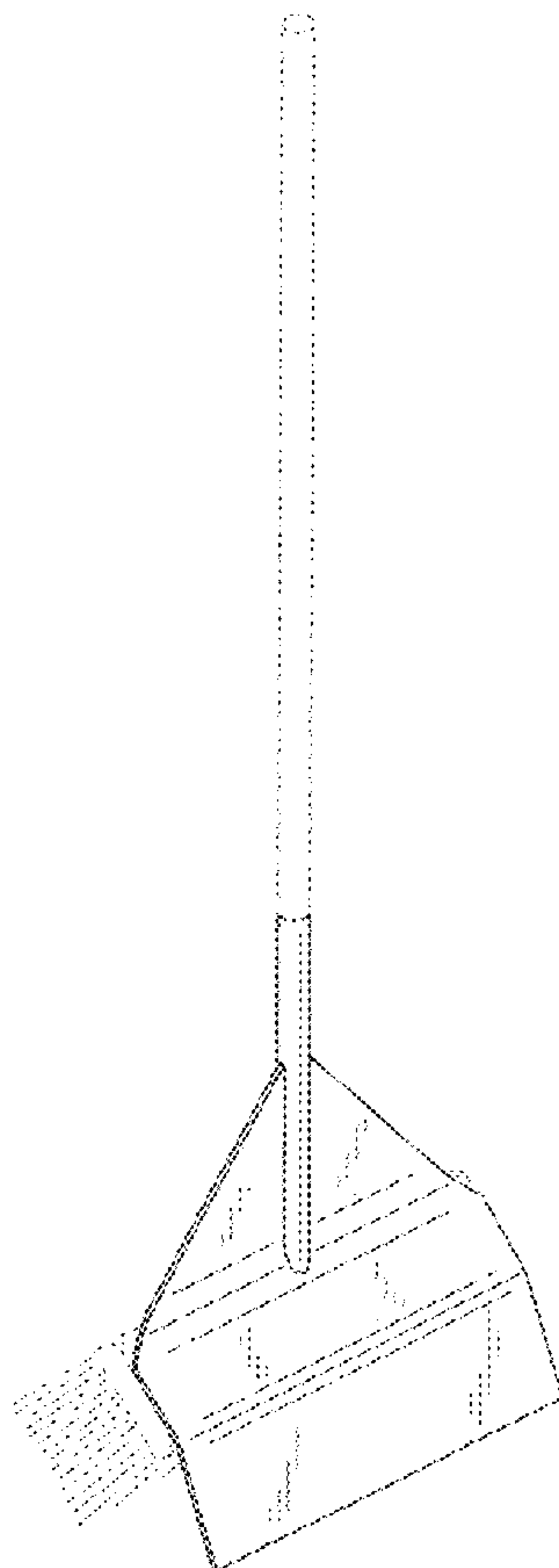
FIG. 1 is a perspective view of a tool stand showing my new design;
FIG. 2 is a front view thereof;
FIG. 3 is a rear view thereof;
FIG. 4 is a side view thereof, the opposite side being a mirror image;
FIG. 5 is a top view thereof;
FIG. 6 is a bottom view thereof; and,
FIG. 7 is a bottom plan view thereof.

(56) **References Cited**

U.S. PATENT DOCUMENTS

D637,007 S * 5/2011 Miller D4/199
D679,911 S * 4/2013 Dobson, III D4/199

1 Claim, 5 Drawing Sheets



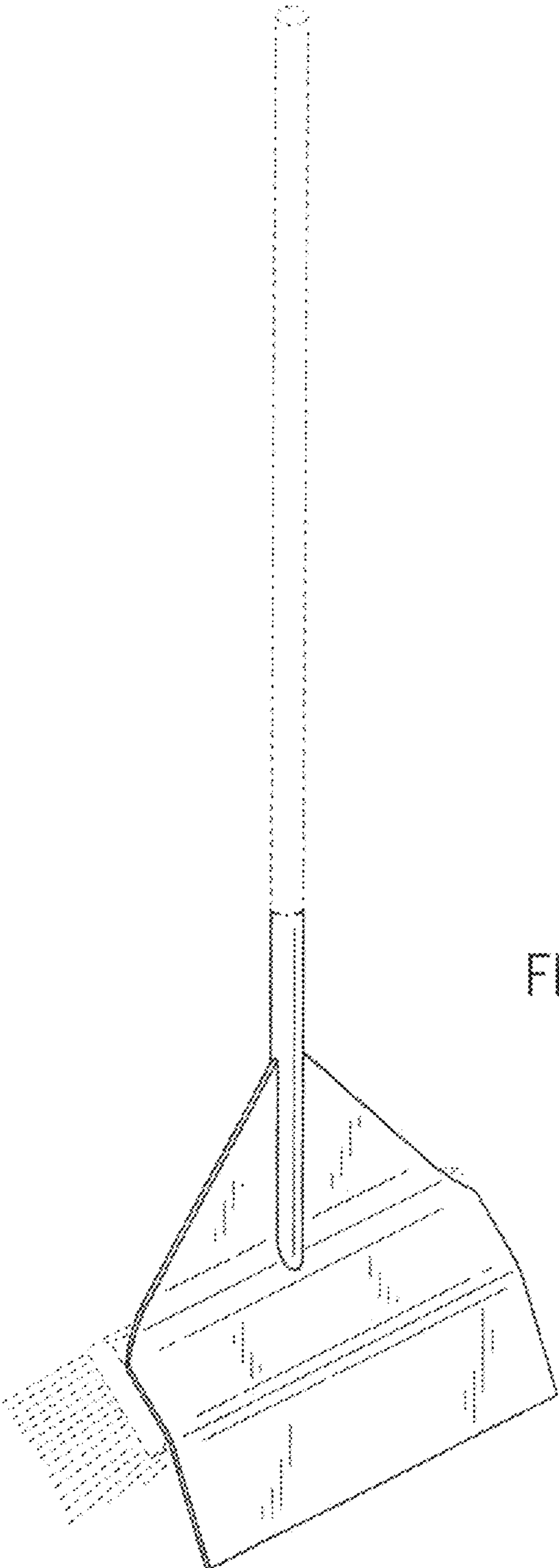


FIG. 1

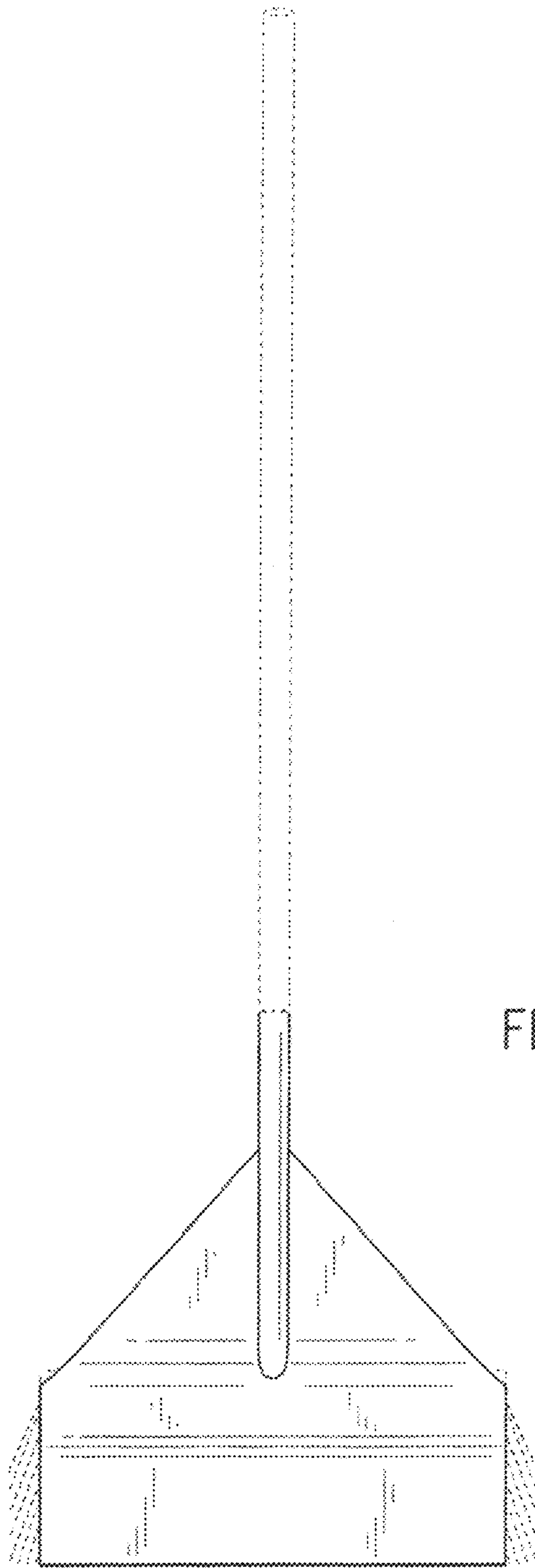


FIG. 2

FIG. 3

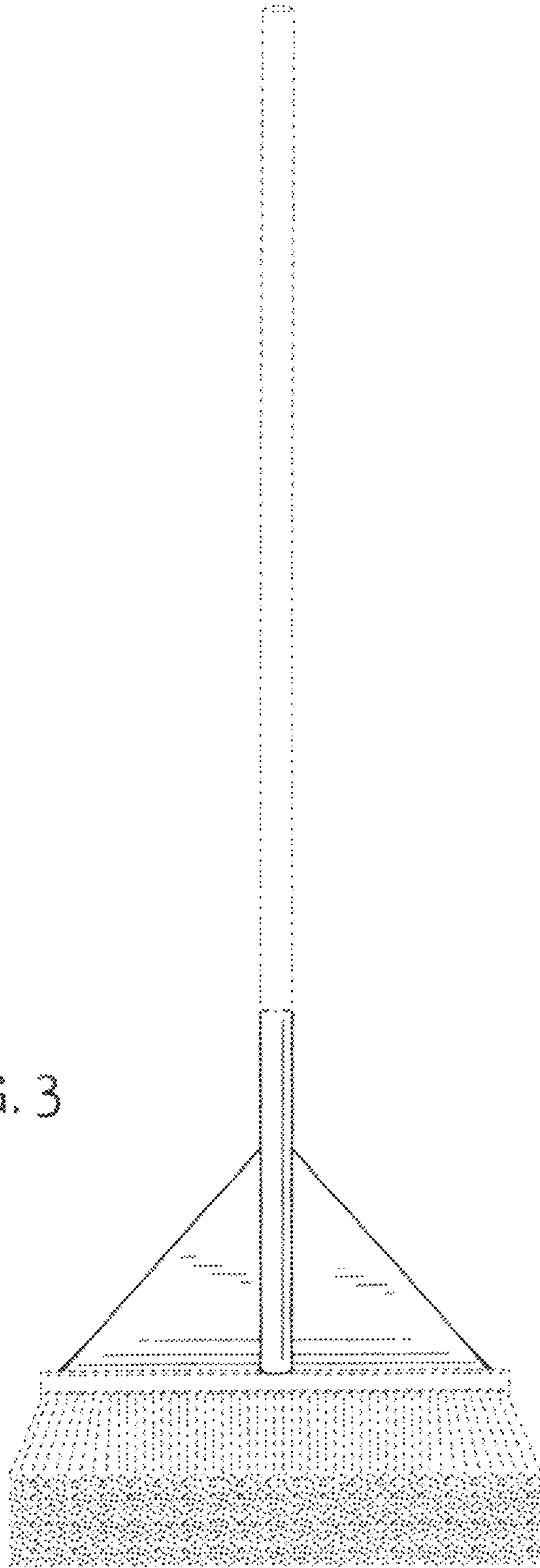
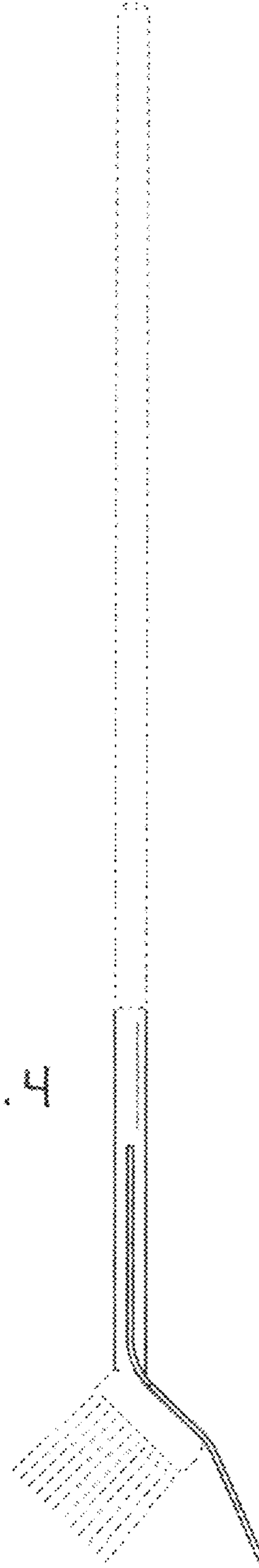


FIG. 4



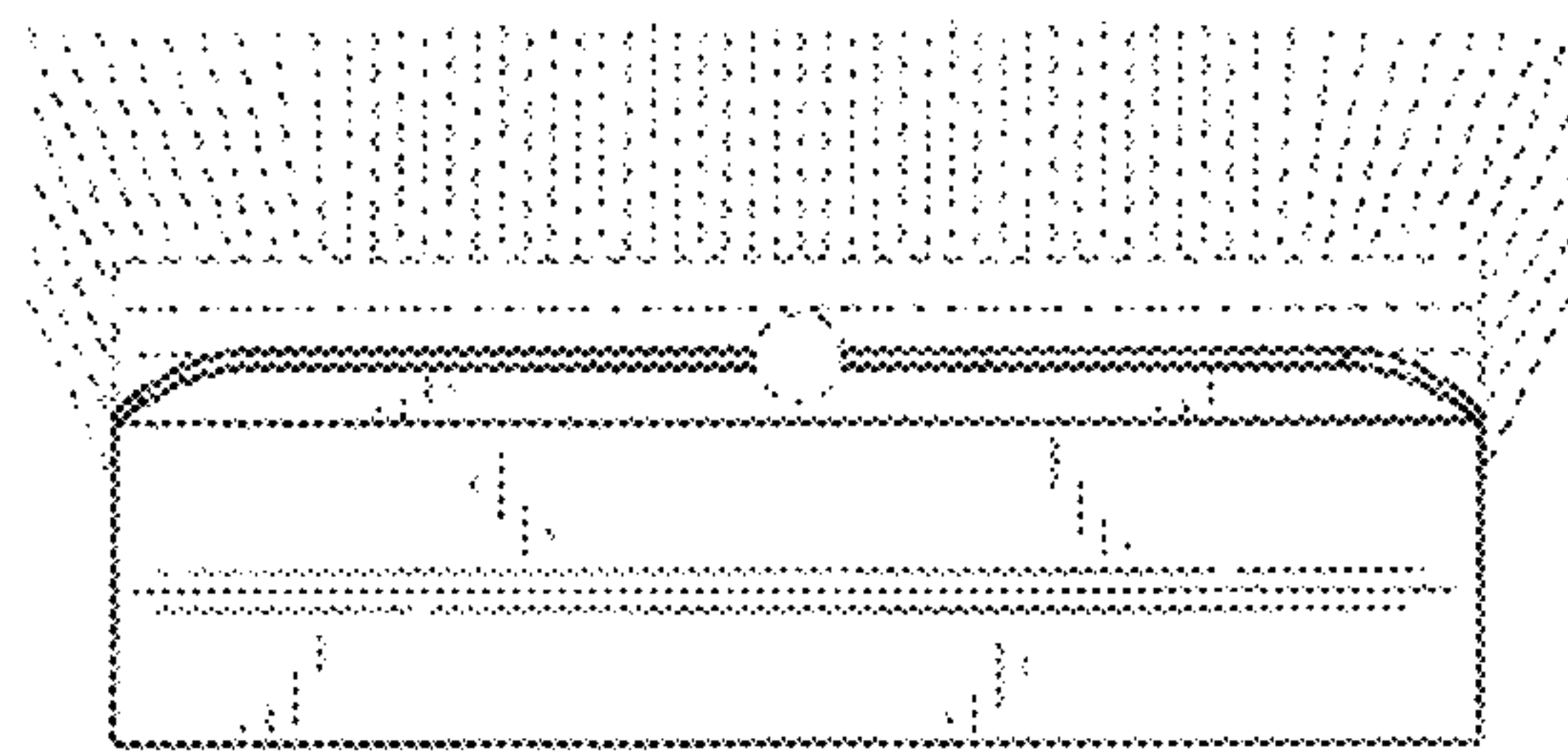


FIG. 5

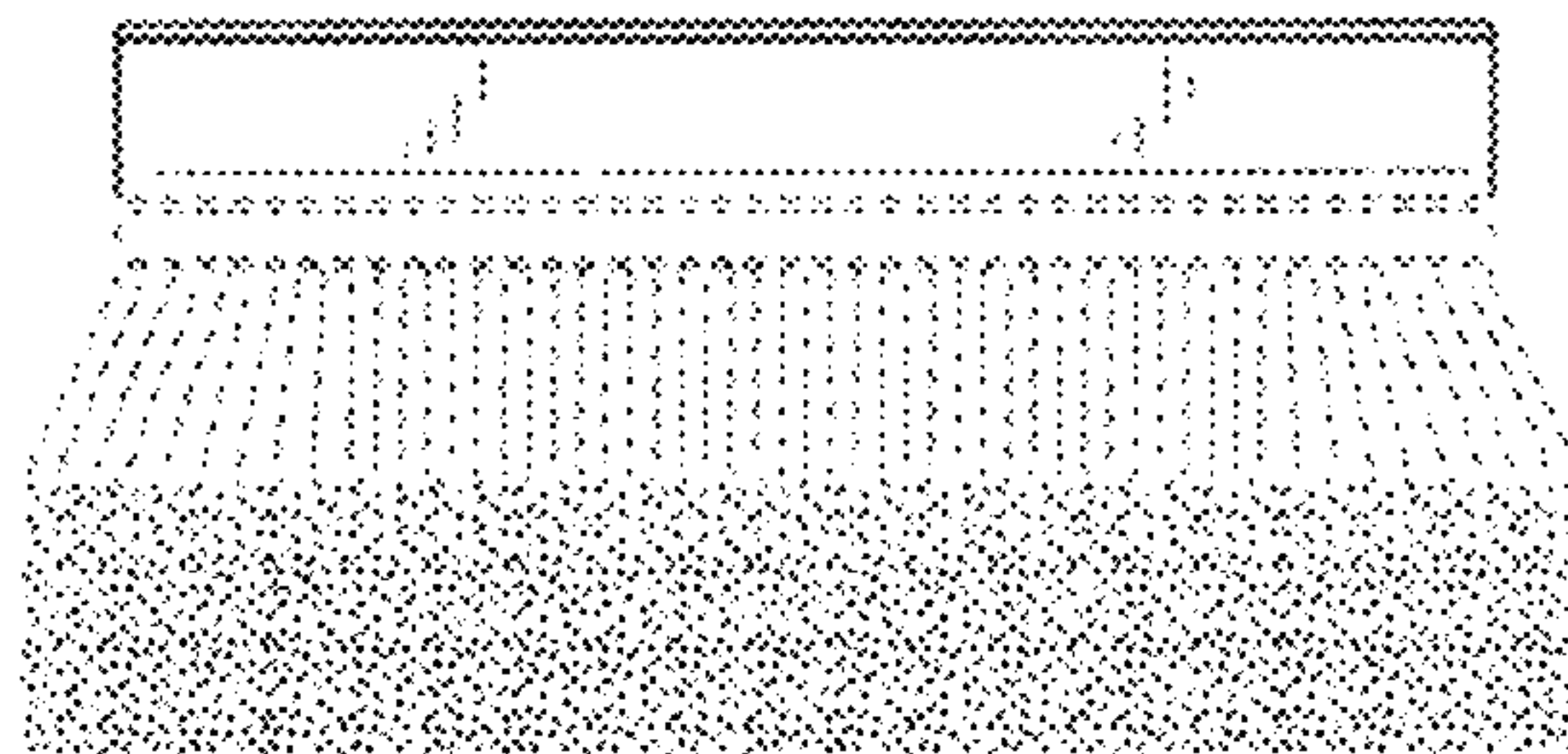


FIG. 6

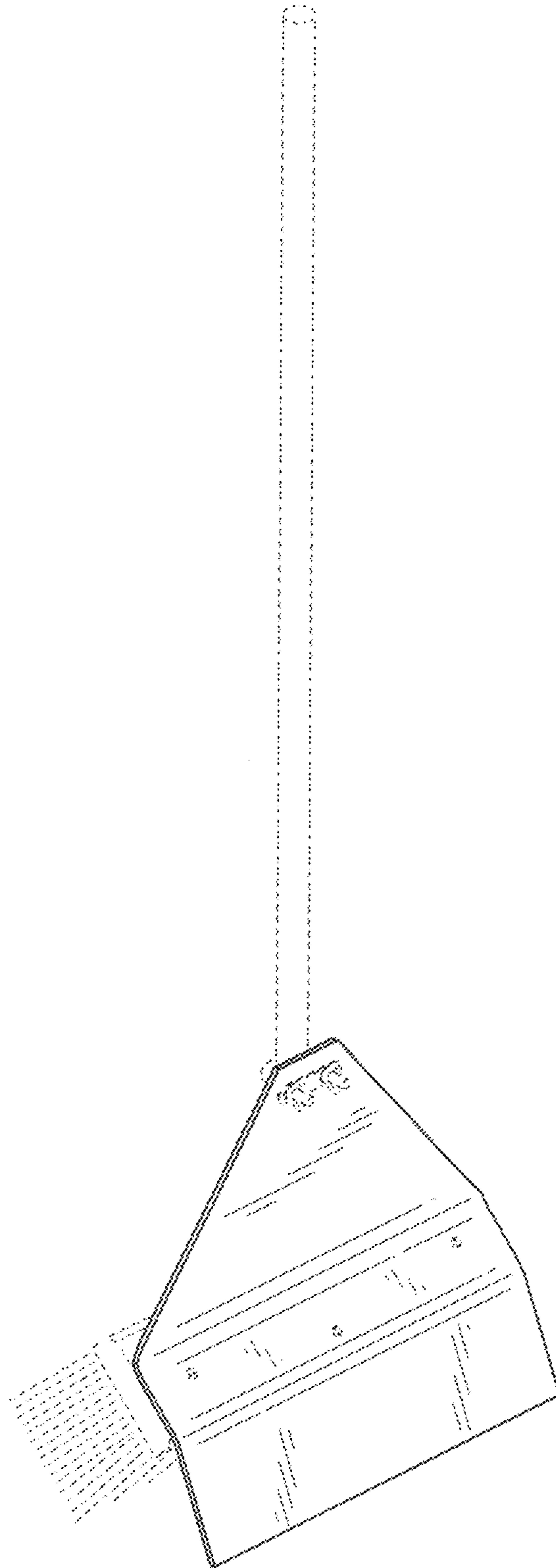


FIG. 7