

US00D899784S

(12) **United States Design Patent** (10) **Patent No.:** **US D899,784 S**  
**Hou** (45) **Date of Patent:** **\*\* Oct. 27, 2020**

(54) **BRUSH HANDLE**

(71) Applicant: **GIM-HWA ENTERPRISE CO., LTD.,**  
New Taipei (TW)

(72) Inventor: **Chang Lan Hou,** New Taipei (TW)

(73) Assignee: **GIM-HWA ENTERPRISE CO., LTD.,**  
New Taipei (TW)

(\*\*) Term: **15 Years**

(21) Appl. No.: **29/678,933**

(22) Filed: **Jan. 31, 2019**

(51) **LOC (12) Cl.** ..... **04-99**

(52) **U.S. Cl.**  
USPC ..... **D4/138; D28/30**

(58) **Field of Classification Search**  
USPC ..... D4/101, 102, 105, 106, 109, 110, 11,  
D4/112, 117, 128, 129, 130, 131, 132,  
D4/133, 134, 135, 136, 137, 138;  
D28/13, 19, 21, 22, 23, 24, 25, 27, 28,  
D28/29, 30, 31, 32, 33, 34, 44, 45, 49,  
D28/50, 51, 52, 53, 54, 63, 74  
CPC ..... A47L 25/005; A47J 45/00; A47J 45/061;  
A47J 45/07; A47J 45/071; A46B 17/04;  
A46B 5/00; A46B 5/026; A46B 7/00;  
A46B 2200/10; A46B 2200/30; A46B  
2200/1046; A46B 2200/3053  
See application file for complete search history.

(56) **References Cited**

**U.S. PATENT DOCUMENTS**

D531,480 S *	11/2006	Tsai	.....	D8/107
D544,214 S *	6/2007	Wang	.....	D4/128
D569,108 S *	5/2008	Park	.....	D4/128
D684,776 S *	6/2013	Wang	.....	D4/138
D801,702 S *	11/2017	Rennette	.....	D4/138
D831,362 S *	10/2018	Kim	.....	D4/138

D838,904 S *	1/2019	Hou	.....	D28/30
2003/0110585 A1 *	6/2003	Rechelbacher	.....	A46B 5/026 15/143.1
2019/0142148 A1 *	5/2019	Rennette	.....	A46B 5/0095

**OTHER PUBLICATIONS**

Bamboo Brush, announced 2014 [online], [site visited Mar. 27, 2020]. Available from internet, URL: <https://www.amazon.com/Condition-Natural-Bristle-Bamboo-Tourmaline/dp/B00898E8YE> (Year: 2014).\*

Bass Brush, announced 2013 [online], [site visited Mar. 27, 2020]. Available from internet, URL: <https://www.amazon.com/Brush-Large-Bristles-Styles-Brushes/dp/B00898E9KW> (Year: 2013).\*

(Continued)

*Primary Examiner* — Kevin K Rudzinski

*Assistant Examiner* — Tamara L Hahn

(74) *Attorney, Agent, or Firm* — Rabin & Berdo, P.C.

(57) **CLAIM**

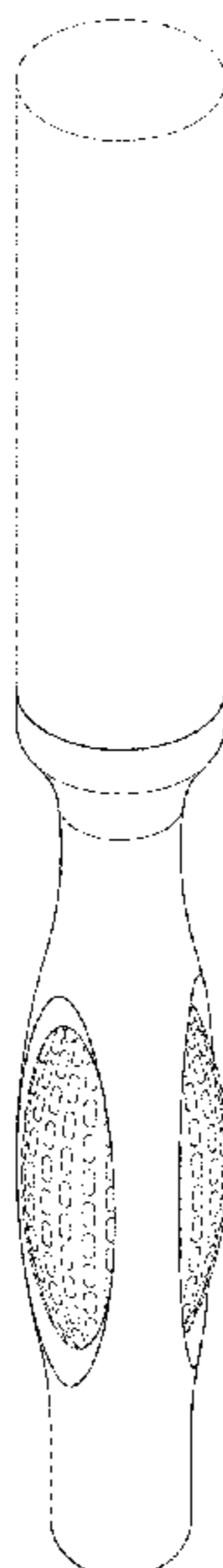
The ornamental design for a brush handle, as shown.

**DESCRIPTION**

FIG. 1. is a perspective view of a brush handle showing my new design thereof;  
FIG. 2. is a front view thereof;  
FIG. 3. is a rear view thereof;  
FIG. 4. is a left side view thereof;  
FIG. 5. is a right side view thereof;  
FIG. 6. is a top plan view thereof; and,  
FIG. 7. is an enlarged bottom plan view thereof.

The broken lines illustrate portions of the brush handle that form no part of the claimed design. The eggshell-shaped surfaces on the brush handle, excluding the areas thereon encircled by the broken lines, form a part of the claimed design.

**1 Claim, 7 Drawing Sheets**



(56)

**References Cited**

OTHER PUBLICATIONS

QVC Brush, announced 2020 [online], [site visited Mar. 27, 2020].  
Available from internet, URL: <https://www.qvc.com/Bass-Brushes-P113-Straighten-%26-Curl-Medium-Round-Hair-Brush-product-A436292.html> (Year: 2020).\*

Evo Brush, announced 2020 [online], [site visited Mar. 27, 2020].  
Available from internet, URL: <https://www.kingdombeauty.com/product-p/devo-5002sp.htm> (Year: 2020).\*

\* cited by examiner

FIG.1

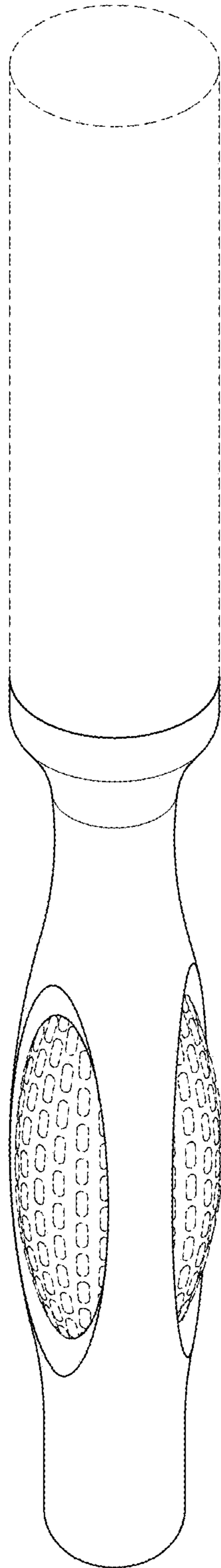


FIG.2

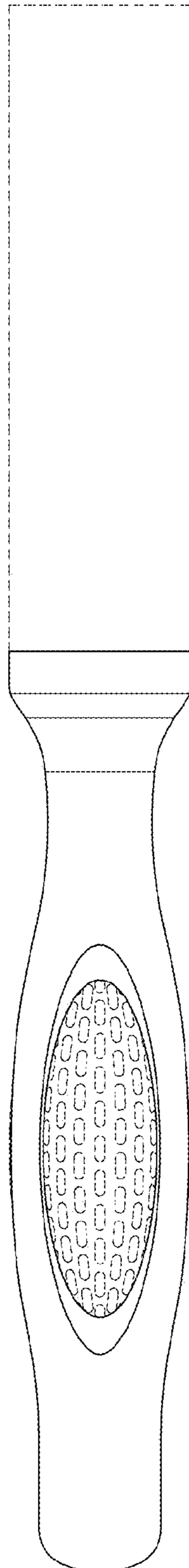


FIG.3

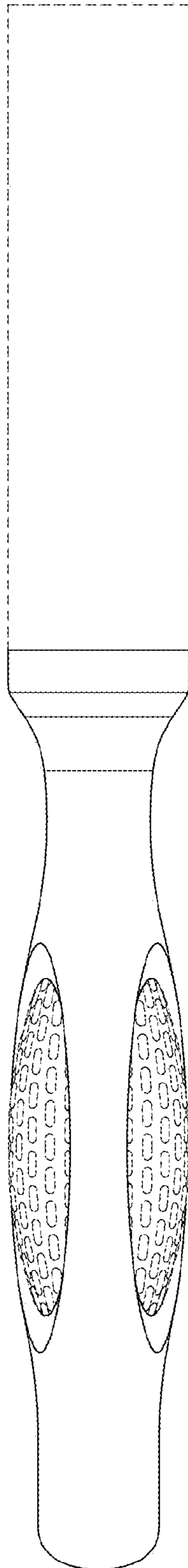


FIG.4

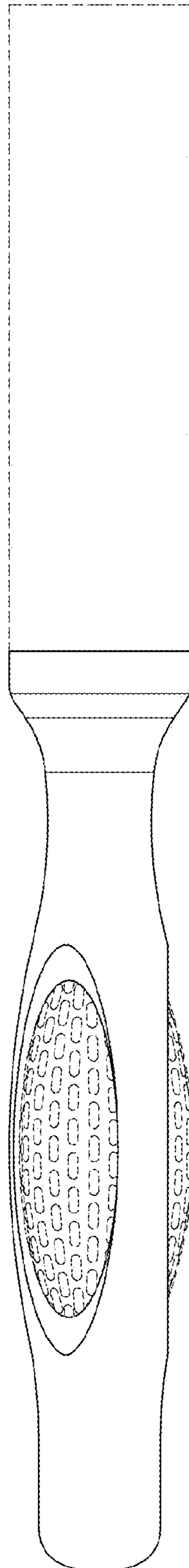
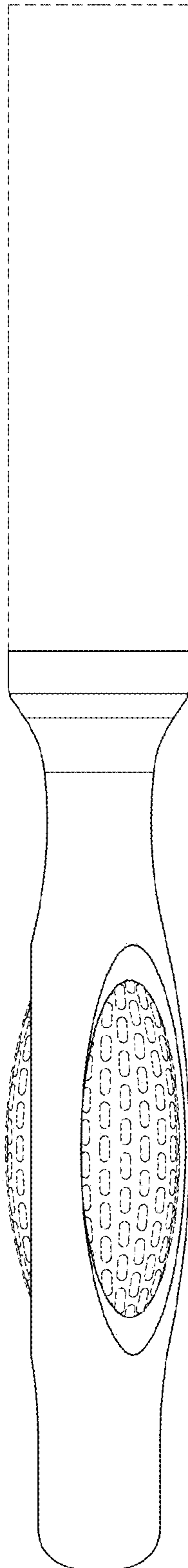


FIG.5



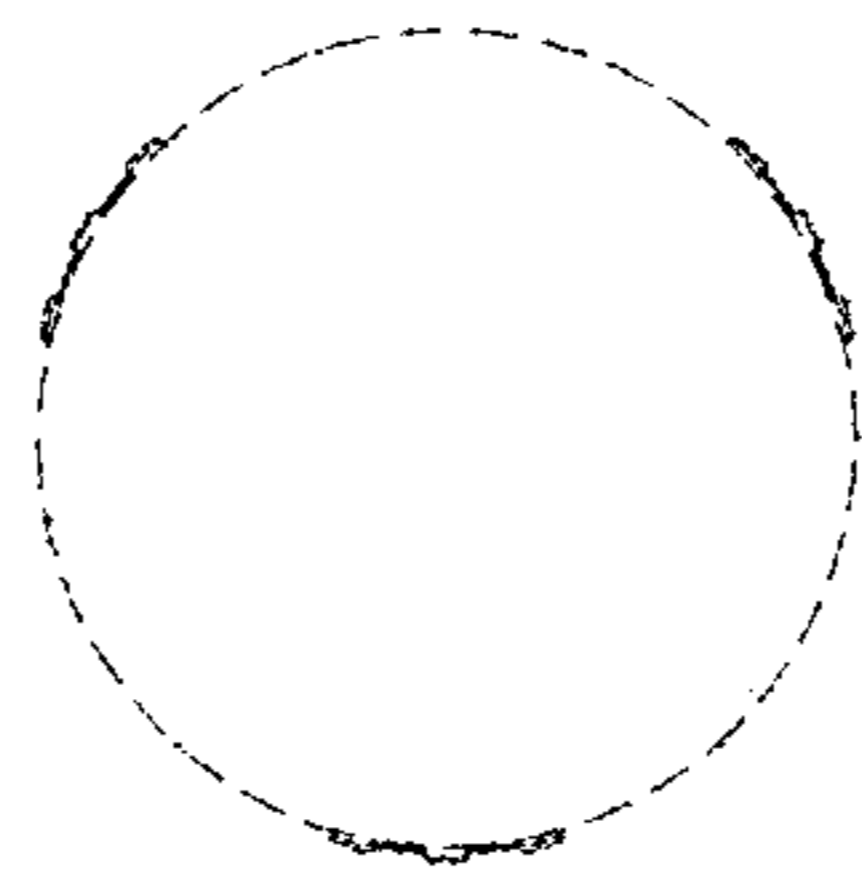


FIG.6



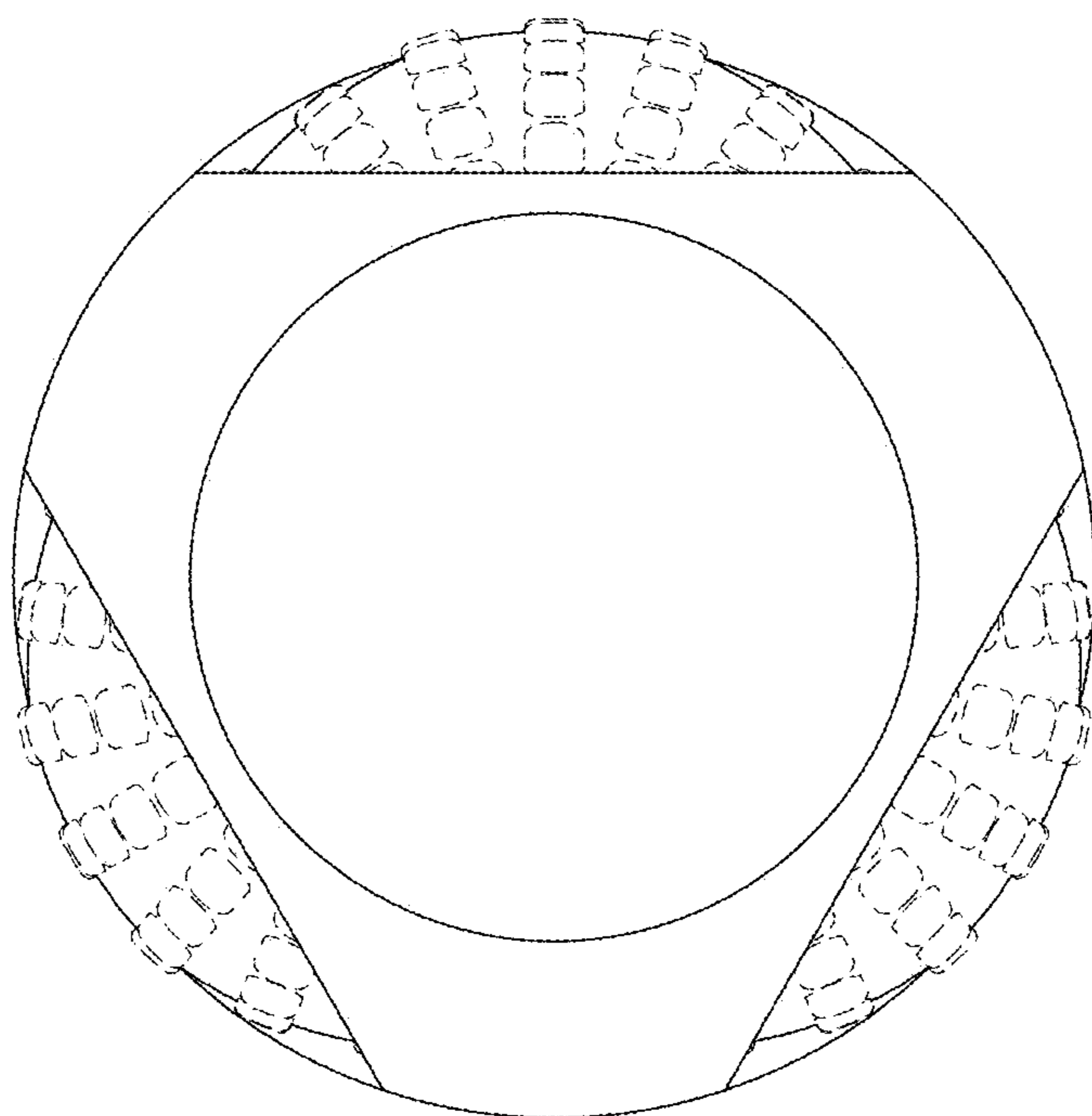


FIG. 7